

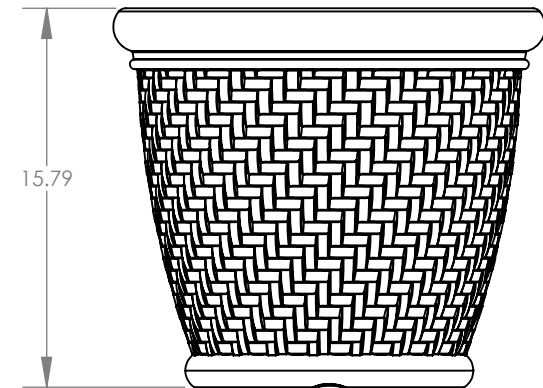
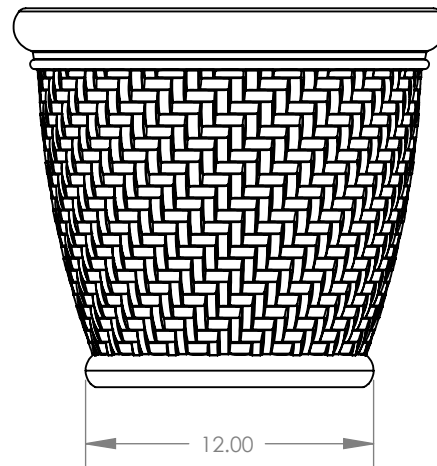
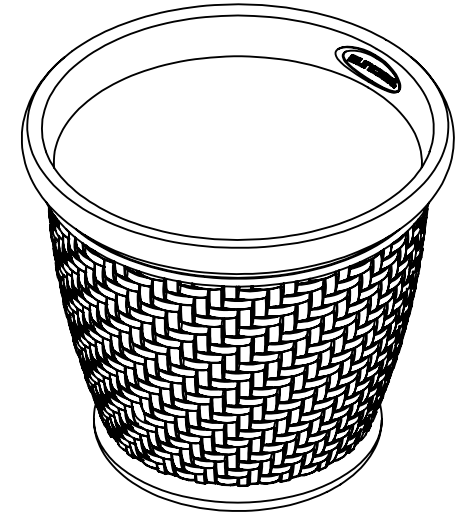
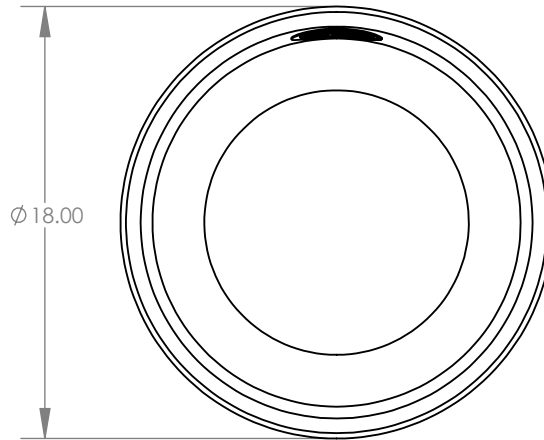
**1807J2**

**TOTAL SOIL VOLUME:**

**Interior: 10.78 gal**

**Interior: 1379.62 fl oz**

**Interior: 1.44 cu. ft.**



**ALL DIMENSIONS ARE IN INCHES  
UNLESS OTHERWISE SPECIFIED**