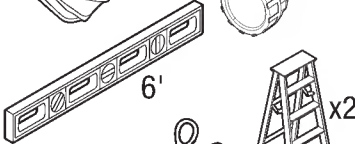
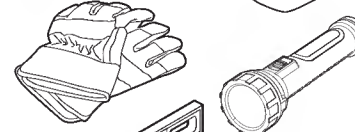
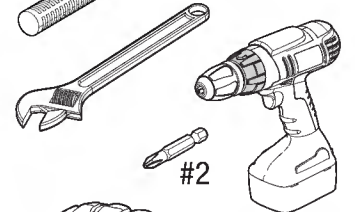
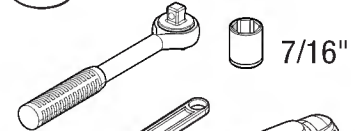
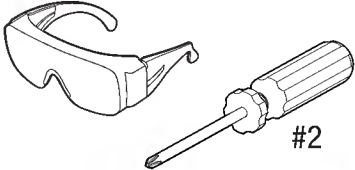


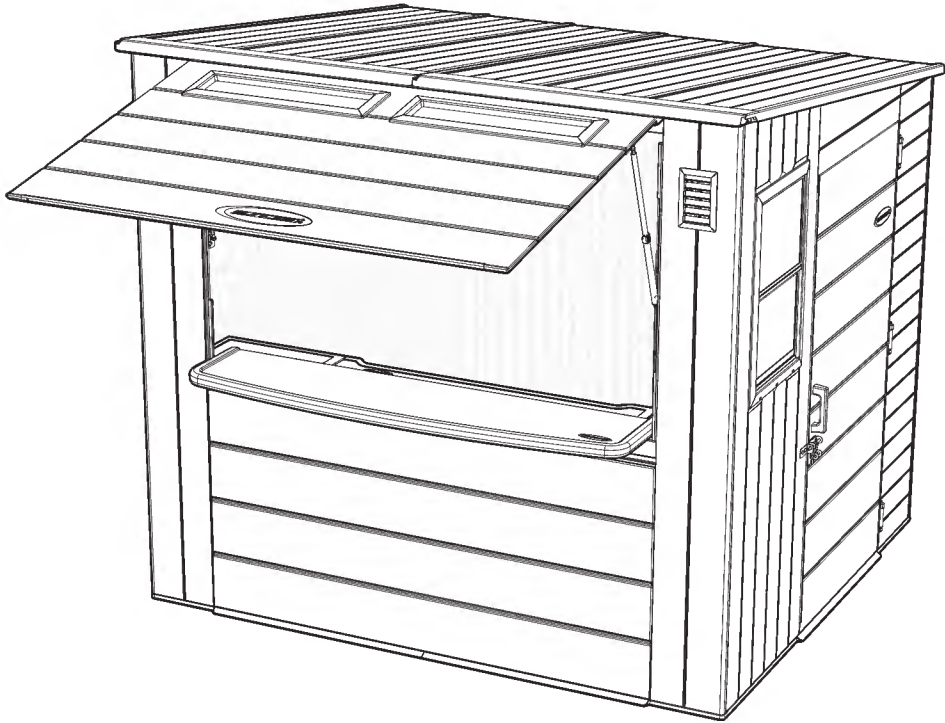
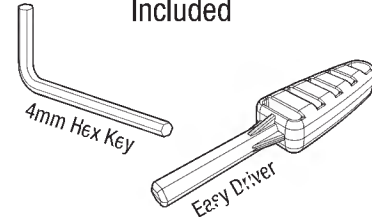
BMCB8700 Series Cabana Entertainment Shed

ASSEMBLY INSTRUCTIONS

Tools Required



Included



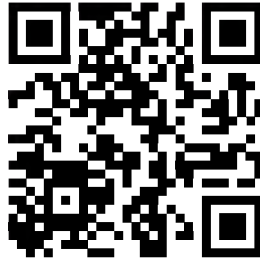
Scan QR Code for product assembly video.



Built for Everyday Life™

Register within 90 days of purchase to activate Warranty!

Registration is not required for products with a warranty term of 90 days or less.



1. Verify warranty term of your product by visiting [www/suncast.com/warranty](http://www.suncast.com/warranty) (products with a warranty term of 90 days or less do not require registration)
2. Complete registration: fill out the form and upload a copy of your receipt by visiting <https://support.suncast.com> or scanning the QR code

Have Questions?

For product questions, assembly assistance, replacement parts and more:



<https://support.suncast.com>



Suncast Corporation Customer Care
701 N. Kirk Road, Batavia, IL 60510



1-800-846-2345
1-630-381-6309



Before You Begin...

- **Consult your local authorities for any permits required to construct shed.**

Prior to the construction of your shed, check with the local building code official to review any required permits or building limitations.

- **A level and sturdy foundation is required before shed construction can begin.**

Site preparation information is available later in this manual. A foundation that differs from the specifications within this manual could prevent proper assembly and may damage parts.

- **Read instructions thoroughly prior to assembly.**

This kit contains parts that can be damaged if assembled incorrectly or in the wrong sequence.

- **Please follow instructions.**

Suncast is not responsible for replacing parts lost or damaged due to incorrect assembly.

- **Assistance is required during entire assembly.**



Indicates *at least* 1 additional adult is needed to complete this step.



Indicates caution is recommended when using a power drill.



Indicates **orientation is critical**, refer to illustration to ensure parts are orientated correctly before assembling.

IMPORTANT

COMPLETE SITE PREPARATION AND FOUNDATION CONSTRUCTION BEFORE UNPACKING ALL PARTS.

OPEN ALL BOXES FIRST AND NEATLY LAYOUT PARTS. SMALL PARTS MAY BE CONTAINED IN EACH BOX. PLEASE REFERENCE THE PARTS LIST WITHIN THIS MANUAL TO VERIFY ALL PARTS ARE PRESENT.



Caution

- **Power tools can apply excessive torque resulting in damage to the product. If you choose to use a power drill to assemble the product, Suncast recommends using a variable speed, cordless drill with a variable clutch set at the lowest setting. A #2 Phillips driver bit is compatible with the hardware provided. Suncast makes no guarantee that following this recommendation will prevent damage to the product. Damage to parts due to over-torque are not covered under Suncast's limited-warranty.**
- DO NOT exceed the following weight capacities:
 - Bar Top - 100 lbs (45.3 Kg)
 - Small Shelves - 50 lbs (22.7 Kg)
 - Large Shelf- 50 lbs (22.7 Kg)
 - Countertop - 150 lbs (68 Kg)
- DO NOT stand or sit on the bar, countertop or shelving surfaces.
- DO NOT store or rest hot items (i.e., grill tools, portable heaters, etc.) in drawers or on bar, countertop or shelving surfaces.
- DO NOT place near objects that are hot or can become hot
- DO NOT place in areas near highly reflective surfaces. (Note: Low-E windows are more reflective than standard windows and may affect the longevity of the product).
- Devices used, installed, or stored in or with the product must be plugged into GFCI outlets only.
- If water is present, DO NOT use electrical devices installed or stored in the product.
- Shed not intended for storage of flammable, caustic or corrosive materials.
- Heavy articles should not be leaned against the walls, this may cause panel distortion and permanent damage.
- Shed not intended for habitation, or for use by children.
- Suncast is not responsible for damage caused by weather or misuse.
- Product is water resistant and not waterproof. Locate unit away from gutter and down spouts for optimal performance.
- This kit contains parts with sharp edges. Please be careful when handling, use of work gloves is recommended.
- **WHEN DRILLING THROUGH METAL**, beware of burrs, shavings and other sharp edges. Safety glasses are strongly recommended.



Shed Care and Maintenance

- At regular intervals, inspect your shed to make sure that assembly integrity has been maintained. Repair or replace broken parts immediately.
- Periodically check that the location you have chosen to set your shed is still level.
- Keep roof clean of snow and leaves.
- To maintain the look of your product, we recommend cleaning it at regular intervals with mild soap and water. **DO NOT** use bleach, ammonia or other caustic cleaners, and **DO NOT** use stiff bristle brushes. Failure to perform cleaning at regular intervals could result in permanent staining of the plastic. This type of damage is not covered under warranty.



Assembly Day Tips

- **DO NOT** attempt to assemble on a day with strong winds.
- Set aside appropriate amount of time to completely assemble shed. An incomplete shed assembly may pose a safety hazard.
- Make sure you have assistance nearby to lift and secure parts in place.
- Wear light duty work gloves while assembling shed.
- Once roof is assembled, a flashlight may be of use when assembling smaller components inside shed.
- **DO NOT** use a torque wrench or hand drill to tighten Easy bolts. Use provided Easy Bolt Driver ONLY.
- Suncoast provides extra hardware for small fasteners for customer convenience. In some cases, there will be extra small fasteners once the assembly is complete.

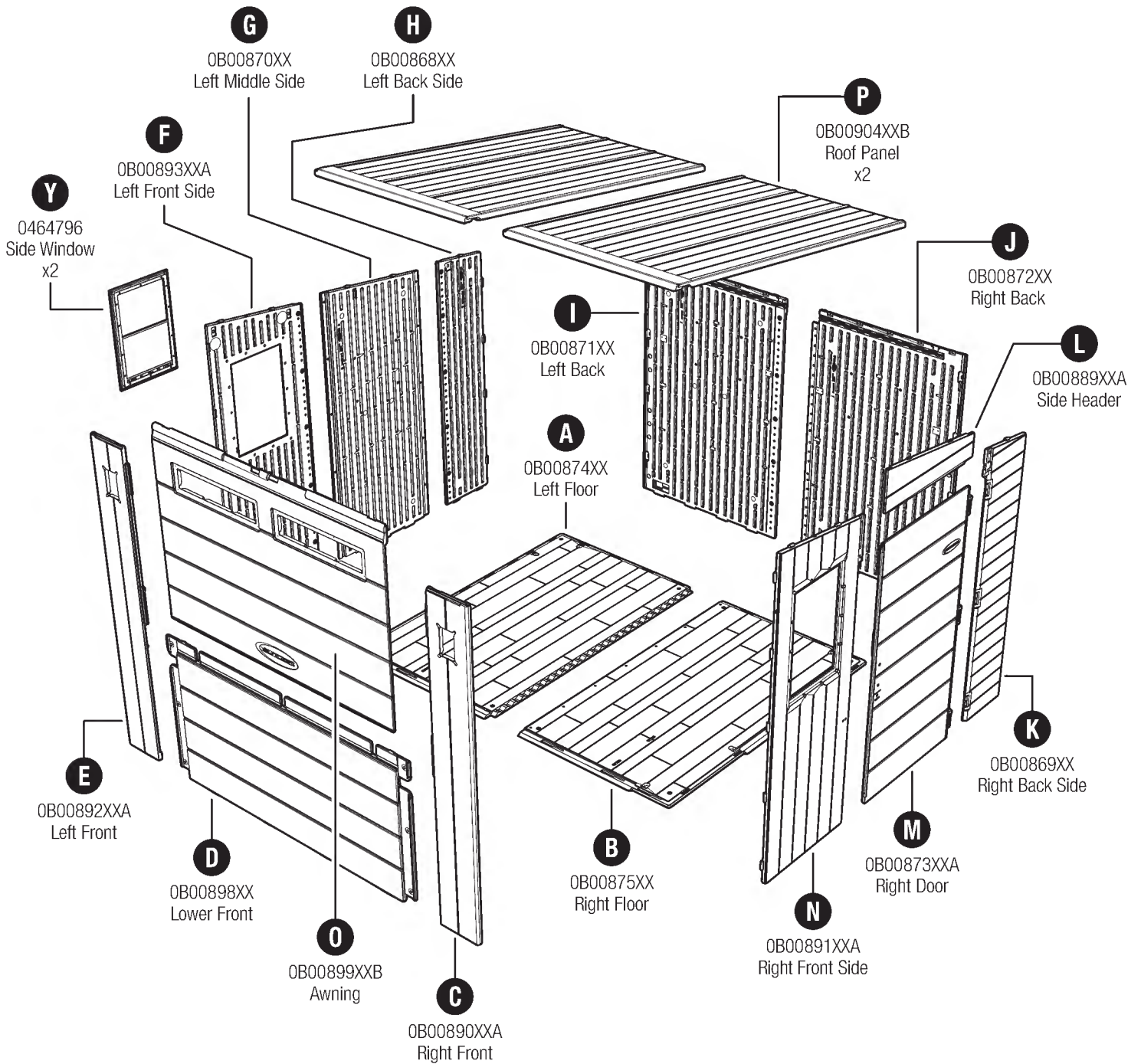
Note: This product contains parts that are used in different orientations to construct the shed. Please take note of the orientation of the parts shown throughout this instruction manual. Failure to follow instructions could result in damage to parts. Suncoast is not responsible for replacing parts lost or damaged due to incorrect assembly.

Parts - Panels

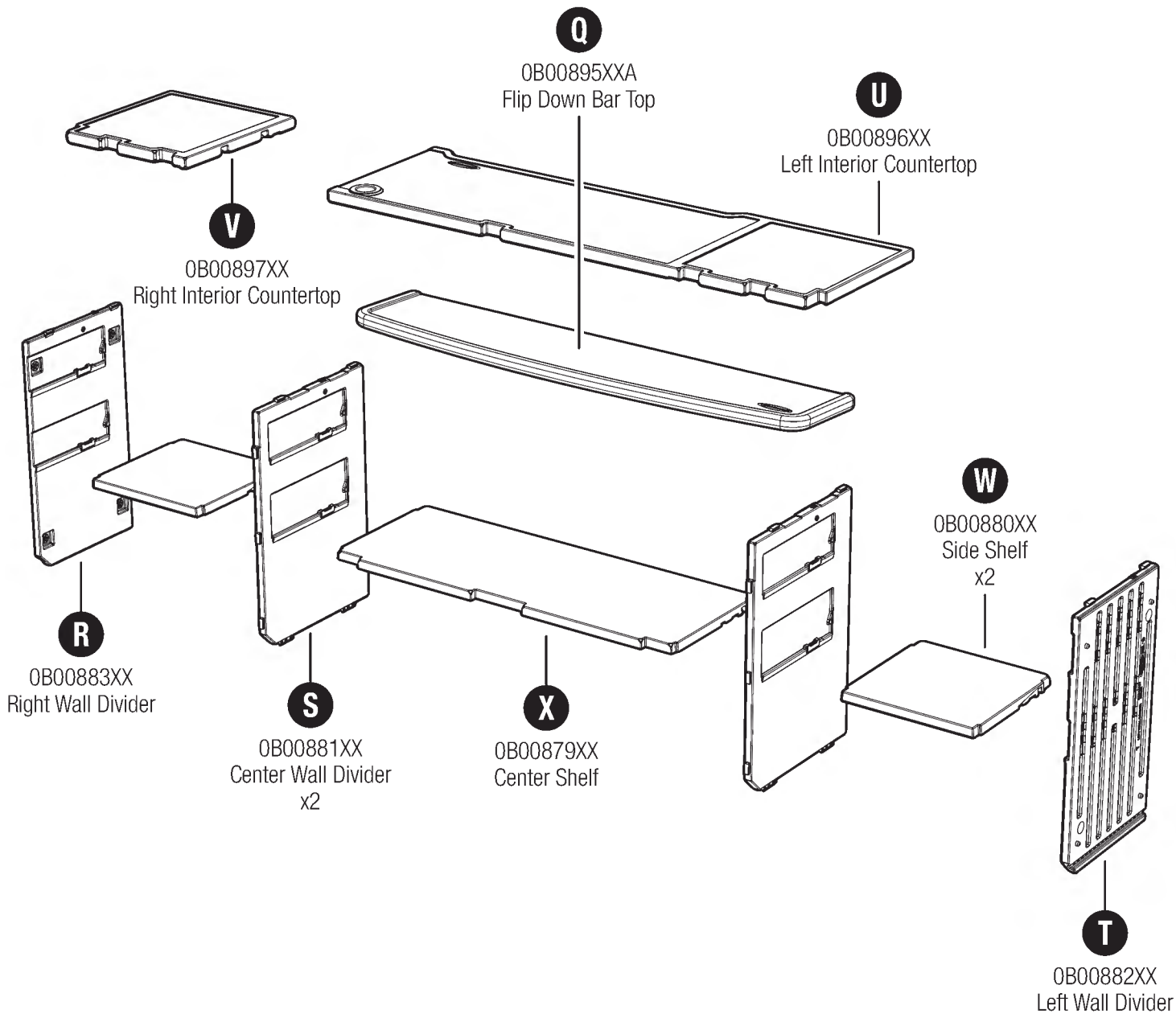
IMPORTANT

Complete site preparation and foundation construction before unpacking all parts.

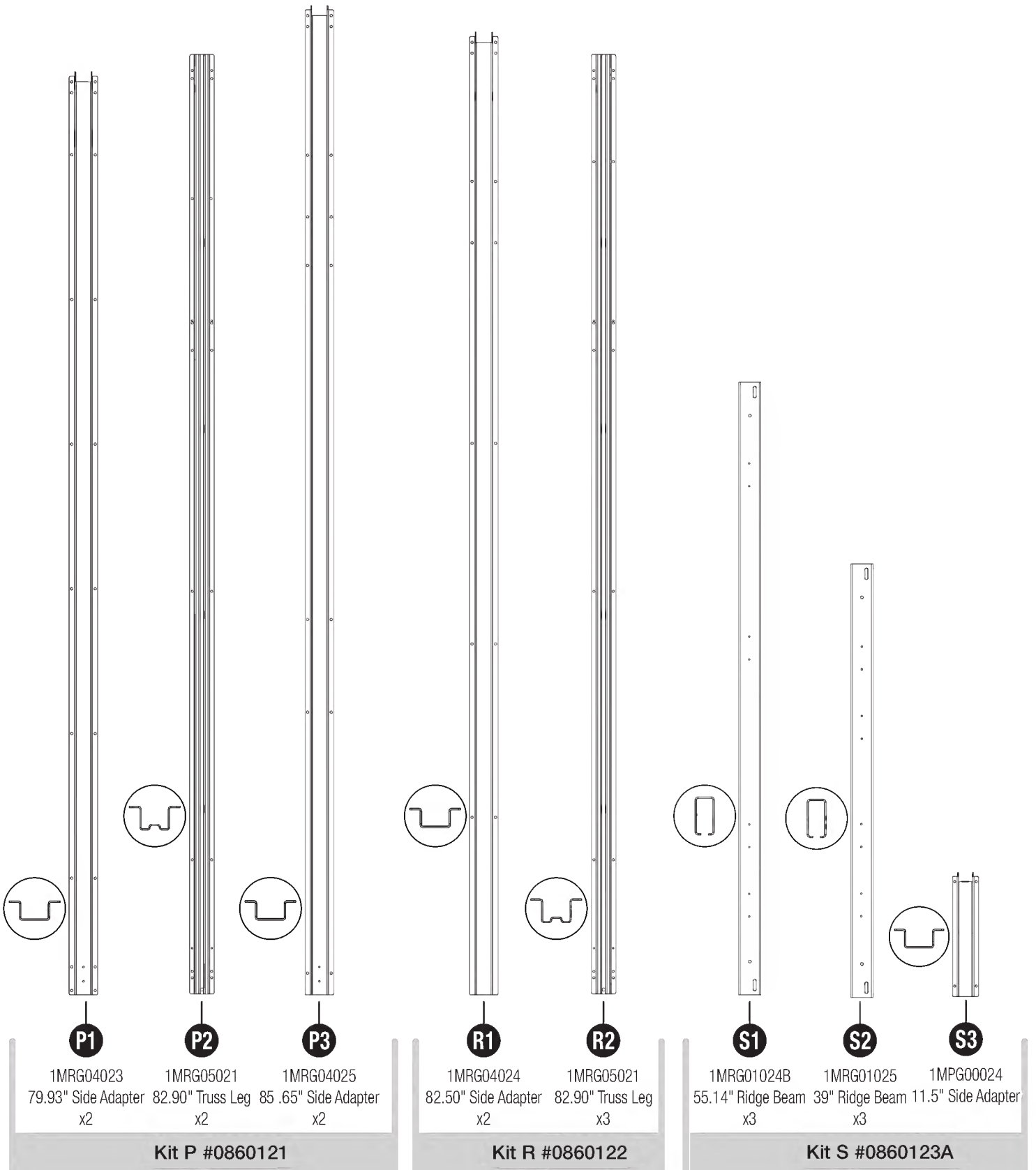
Open all boxes first and neatly layout parts. Small parts may be contained in each box. Please reference the parts list within this manual to verify all parts are present.

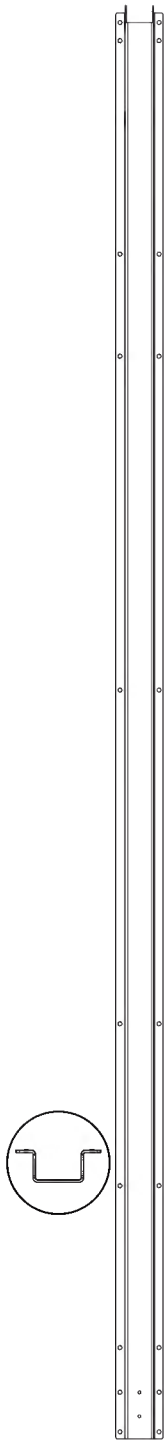


Parts - Bar Top, Countertop and Shelving



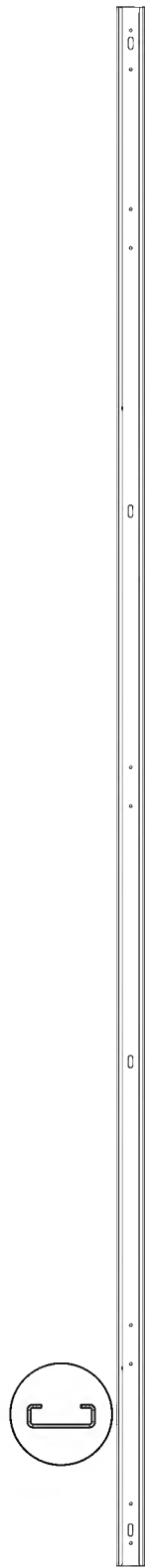
Parts - Steel





M1

1MRG04022
74.75" Side Adapter
x5



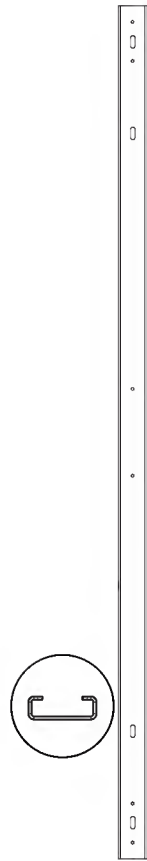
T1

1MRG02025
82" Header Beam
x2



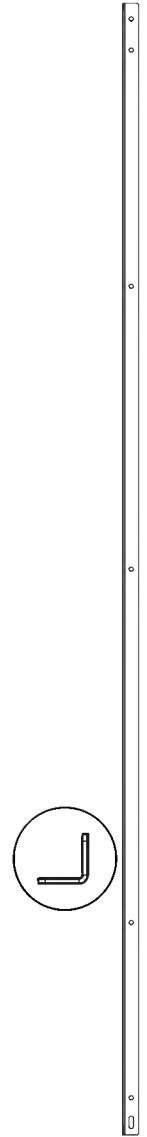
T2

1MRG02003
69.50" Header Beam
x2



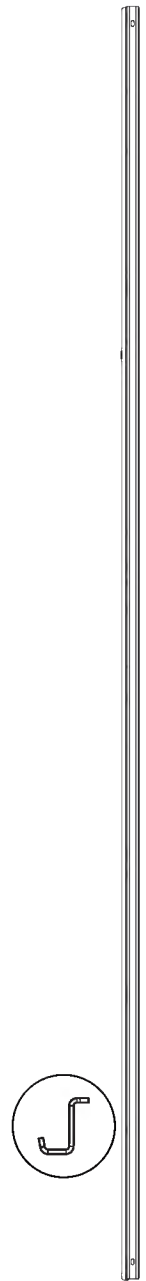
T3

1MRG02026
44.75" Header Beam



T4

1MRG09025
53.60" L-Bracket
x4

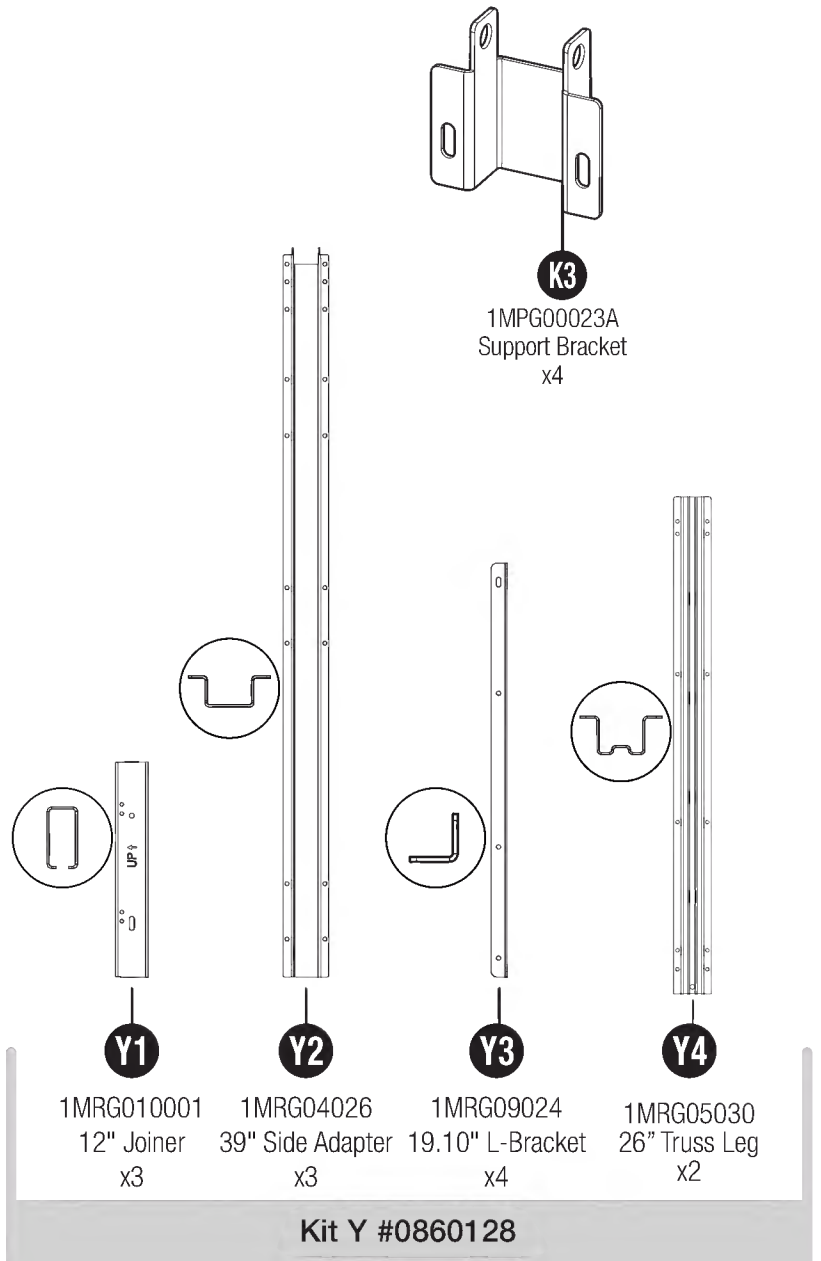
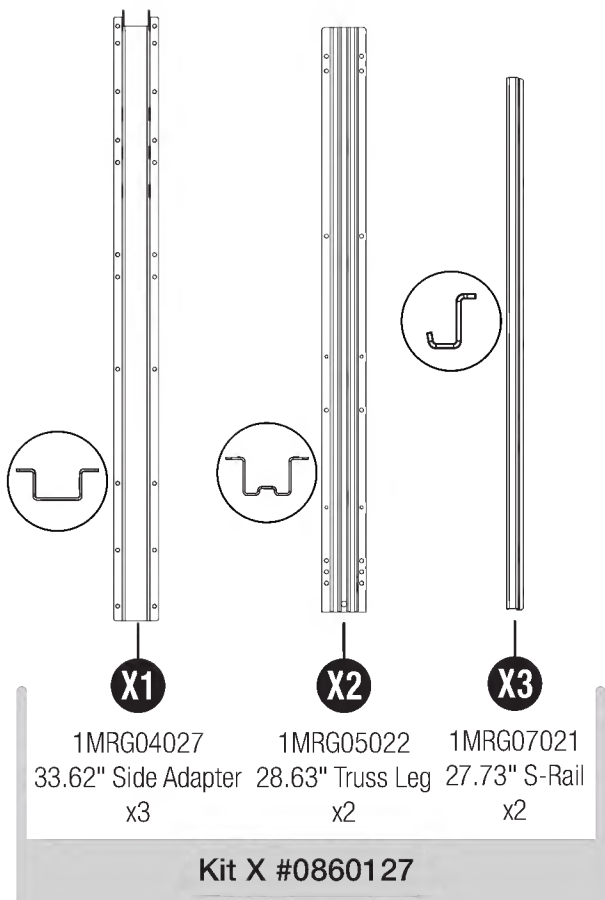


T5

1MRG07022
65" S-Rail

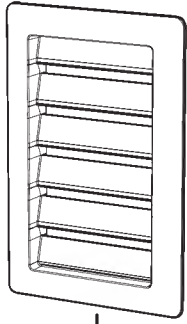
Kit M #0860120

Kit T #0860124



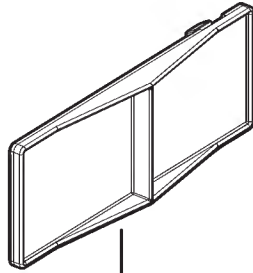
Parts - Components

Parts Kit #1 - 0464794



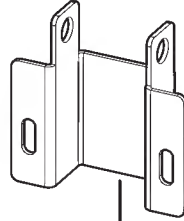
K1

0102809XX
Front Vent
x2



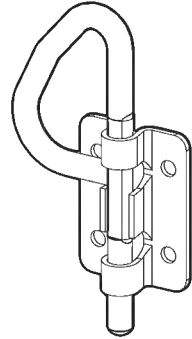
K2

0102552XX
Cord Slide



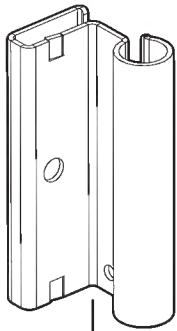
K3

1MPG00023A
Support Bracket
x10



K4

0440631
D-Ring
x2



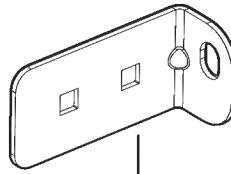
K5

OMP000002
Door Hinge
x3



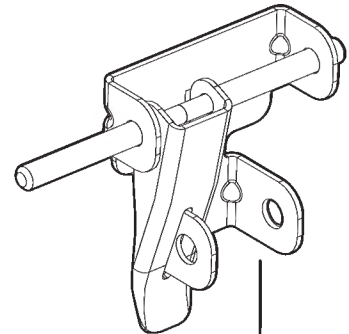
K6

010272210
Handle



K7

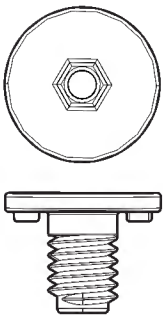
1MP000020
Left Latch Plate



K8

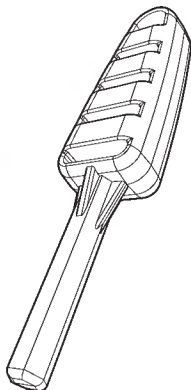
OMP000018/19
Latch Assembly

Hardware Bag E - 0480580

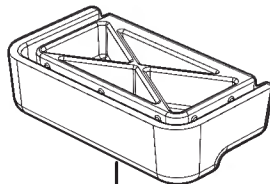


E1

010256307
Easy Bolt
x40

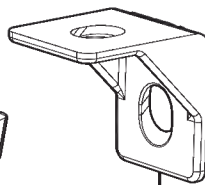


Easy Driver



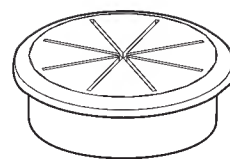
E2

010256610
Side Adapter Cap
x11



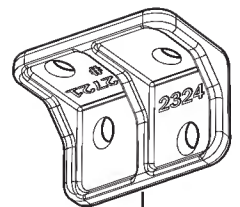
E3

0102197XX
Roof Retainer
x2



E4

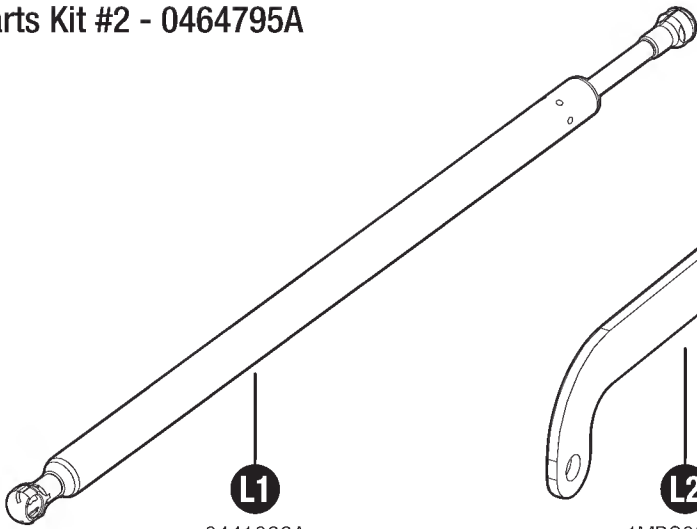
0511011
Grommet



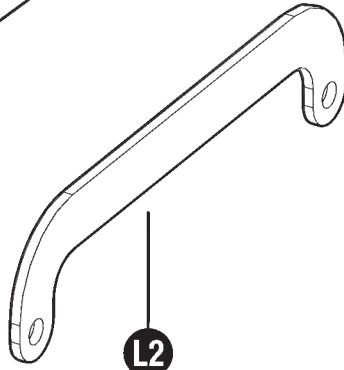
E5

010272110
Roof Bracket
x2

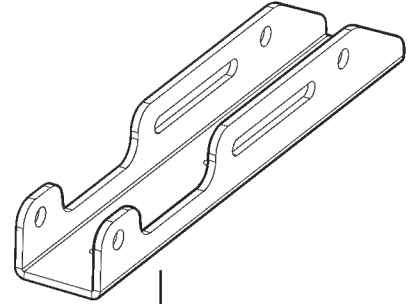
Parts Kit #2 - 0464795A



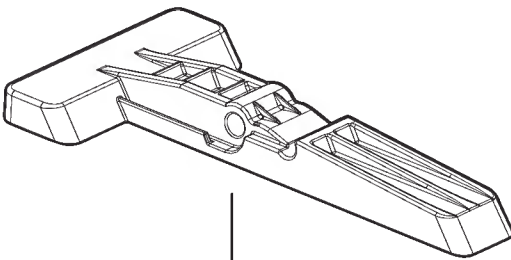
L1
0441038A
Gas Shock
x2



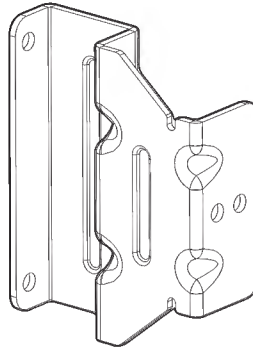
L2
1MPG00059
Curved Support Bracket
x5



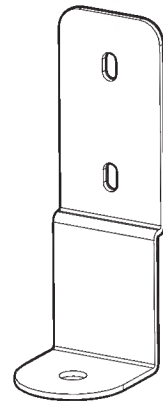
L3
1MPG00060
Slotted Bar Support
x3



L4
0102811P9
Flip Down Bar Latch

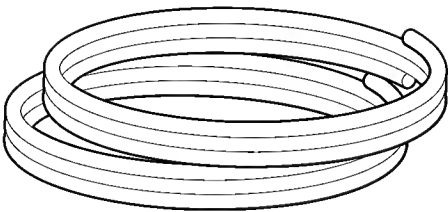


L5
1MPG00061
Gas Shock Mount
x4

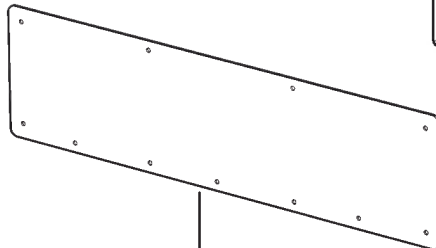


L6
1MPG00062
Tie Down Bracket
x7

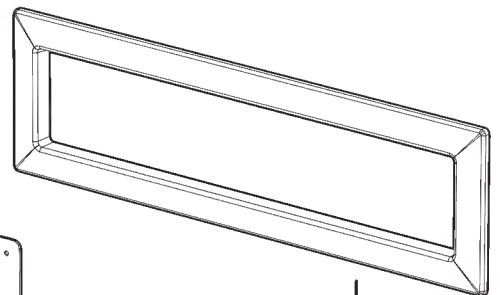
Window Kit - 0464789



W1
0441039
Window Gasket
x2



W2
0441037
Awning Window
x2

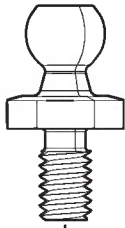


W3
0102810XX
Window Frame
x2

Master Hardware Bag- 0470003

Hardware shown at actual size (*Unless otherwise noted.) Extra hardware provided. Not all are used.

Hardware Bag A - 0671328



A1

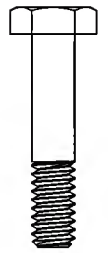
0240060
Ball Post
x4



A2

0631340
Nylock Nut
.25-20
x4

Hardware Bag B - 0671329



B1

0632583
Bolt
.25-20 x 1.25"
x7



B2

0632505
Nylock Nut
.25-20
x47



B3

0632532
Bolt
.25-20 x 2"
x40

Hardware Bag C - 0671338



C1

0632448
Threaded Insert
x24



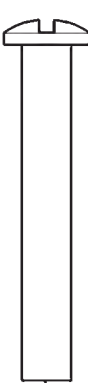
C2

0632449
Screw
#8-32 x .50"
x24

4mm Hex Key



Hardware Bag D - 0671330



D1

0632579
Barrel Nut
#10-24 x 1.75"
x10



D2

0632580
Screw
#10-24 x 5/16"
x10

D3

*0280683
Spring



Hardware Bag F - 0671327



F1

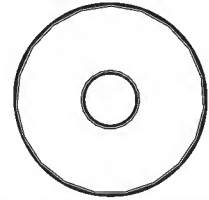
0630821
Screw
#10 x .625"
x625

Hardware Bag G - 0671339



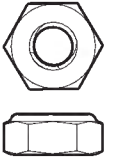
G1

0632581
Carriage Bolt
.25-20 x 1"
x4



G2

0631733A
.25" Washer
x6



G3

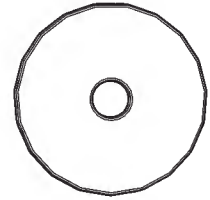
0631732
Nylock Nut
.25-20
x4

Hardware Bag J - 0671331



J1

0631732
Nylock Nut
.25-20
x3



J3

0631284
Fender Washer
#10 x 1"
x2



J4

0632130
Screw
#10 x 1.75"
x2



J2

0210171
Bolt
.25-20x .75"
x3

Site Preparation and Platform Construction

Materials **NOT** supplied with Shed Kit

Important:

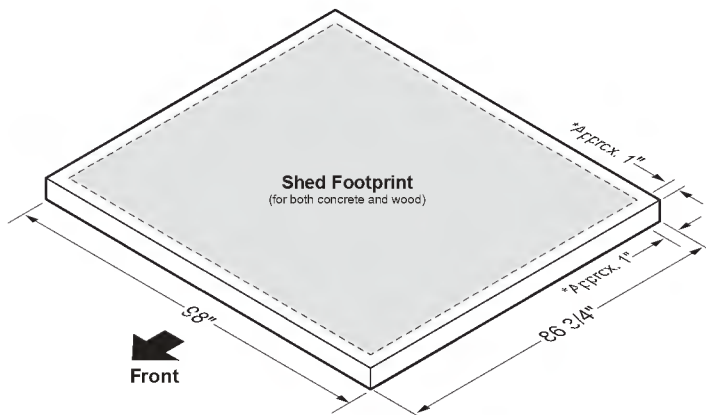
- **Site preparation is required for this shed. Placing the shed on a properly constructed, square, flat, smooth and level foundation, as described below, is required. Without a properly constructed foundation, settling will eventually occur, causing distortion and damage to the shed. Suncoast is not responsible for replacing parts damaged or property lost due to incorrect foundation construction or improper assembly. Warranty requires a properly constructed foundation to which the shed must be anchored as instructed below.**
- **Platform and slab size shown is the minimum size requirement for this shed. If additional space surrounding the shed for entertaining, work, etc. is required, the shed foundation size should be customized to user requirements.**

Site Preparation

1. Consult your local authorities for building codes and covenants before beginning foundation or erecting shed.
2. Before any digging, check with local utilities to determine location of buried cables, pipes, etc.
3. Decide which type of foundation is most suitable for your installation. The foundation surface must be square, flat, smooth and level. Follow the below guidelines for foundation options.
4. Complete the foundation preparations as follows:
 - A vapor barrier may be applied over the foundation to prevent excessive condensation in the shed. Follow local building codes for a proper vapor barrier.
 - The ground should slope away from the foundation area to provide drainage.
 - Placing the shed on surfaces made of materials such as patio blocks or pavers is not acceptable for long-term support structure or smooth surface. Use of these will void the warranty.

Concrete Slab

- Construct a slab of at least 4" thickness.
- The use of reinforcement bar is recommended.
- For foundations larger than specified below, the shed must rest on a continuous, level portion of the concrete slab



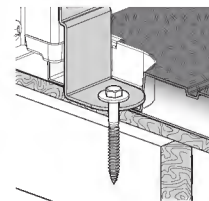
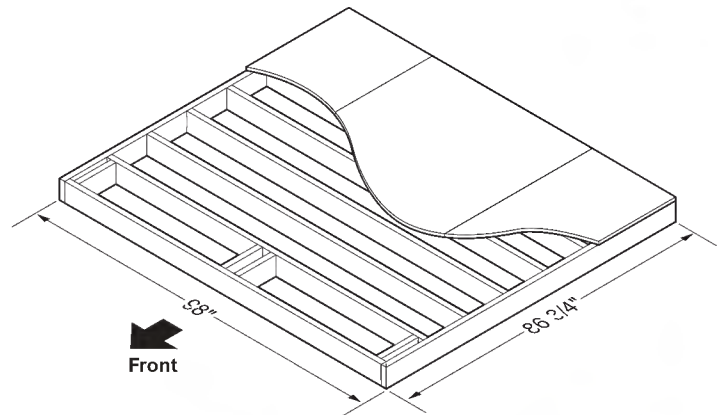
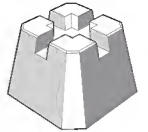
* Dimensions shown are minimal for proper fit of the shed.

Anchoring the Floor Panels to the Foundation is required after shed assembly is complete.

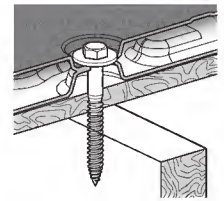
- Shed floor panels include small flattened areas where anchors or lag screws are used to secure the shed to the foundation. These flat areas must have clearance holes drilled through to allow for hardware installation prior to securing the shed to the foundation.
- The shed must be secured to a continuous concrete slab using 3/8" masonry anchors with 1" washers (hardware not included). **8 masonry anchors are required for this model.**

Wood Platform

- Use exterior grade wood.
- Set the wood platform on deck footing blocks or full footing.



Wall anchor section example



Floor anchor section example

- The shed must be secured to a wood platform using 1/4"-3/8" x 3" lag screws with 1" washers (hardware not included). **8 lag screws are required for this model.**

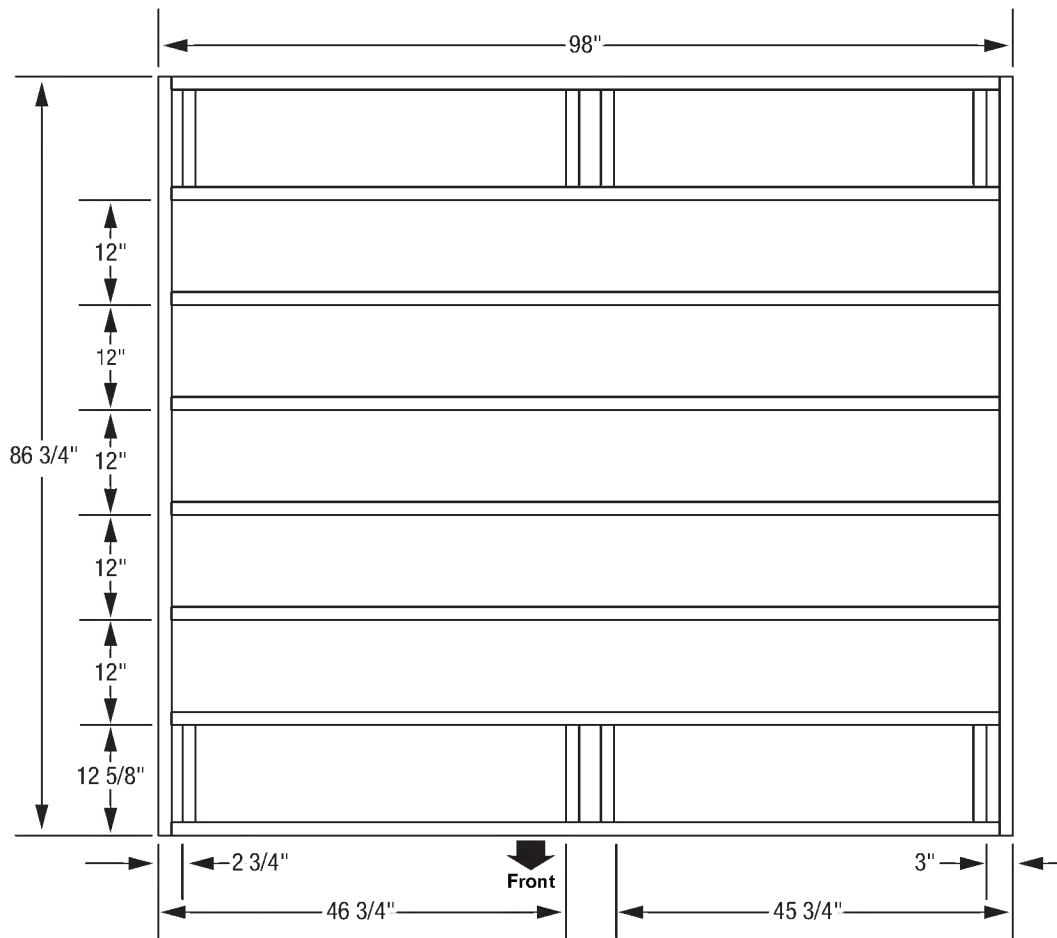
Note: Shed floor fastening locations are designed to align with the under-structure layout. Be sure the front of the floor panels are oriented correctly on the platform to ensure lag bolts engage with the under-structure.

Site Preparation and Platform Construction (continued)

Materials NOT supplied with Shed Kit

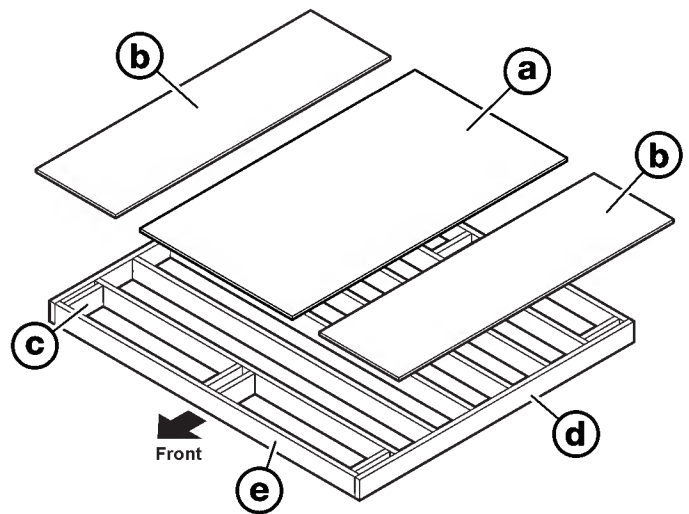
Wood platform critical spacing

- Check all critical spacing measurements carefully.



Wood platform materials list

Item	Qty	Size
a	1	48" x 86.75" x .75"
b	2	25" x 86.75" x .75"
c	8	2" x 6" x 11.125"
d	2	2" x 6" x 86.75"
e	8	2" x 6" x 95"



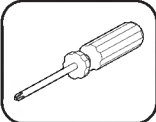

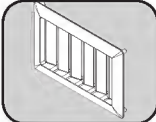

- Please note, 2 x 6 dimensional lumber is actually 1/2" smaller than noted sizes. Dimensions given presume standard 1.5" x 5.5" actual size lumber. Lumber dimensions can vary. Check lumber dimensions before cutting and make appropriate adjustments to achieve given dimensions. Cut sizes are actual size.

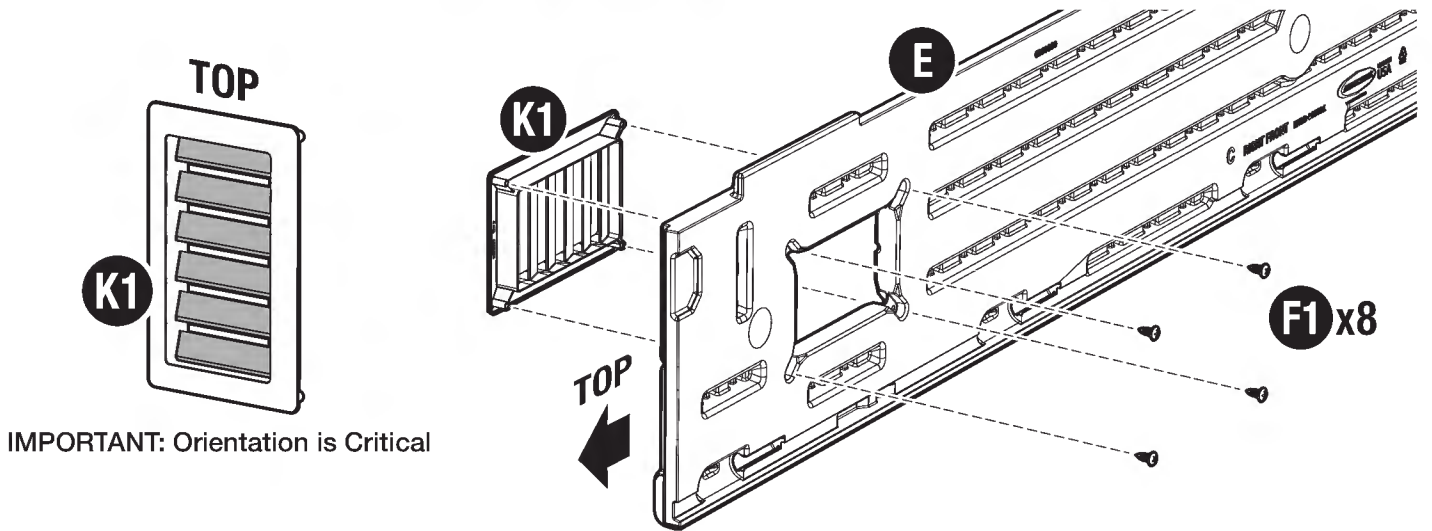
IMPORTANT: If you choose to use a power drill to assemble the product, refer to caution statements for power drill guidelines. Damage to parts due to over-torque are not covered under Suncoast's limited-warranty. This item uses self-tapping screws in some areas. There are no pre-drilled holes in the plastic. Some pressure may be needed when starting to drive the screw. Once the screw pierces the plastic it will drive easier.


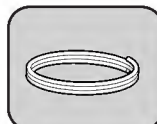
Pre-Assembly - Vents & Windows

Required Hardware/ Steel Kits

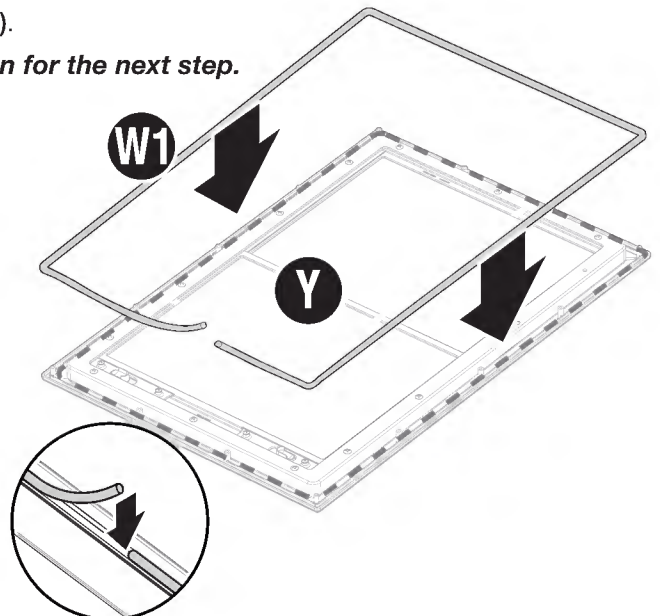


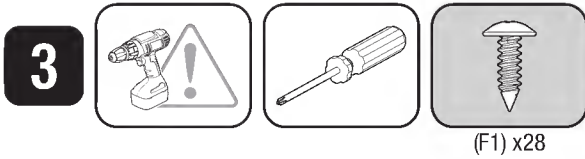
- 1**     Using 4 screws (**F1**), secure 1 front vent (**K1**) to the left front (**E**) as shown. Repeat for remaining front vent (**K1**) with right front (**C**).
- (K1) x2 (F1) x8



- 2**   Place 1 window (**Y**) face down on a flat surface. Starting at the bottom-center, press end of 1 gasket (**W1**) into the gasket channel as shown. Do not stretch gasket when installing. Repeat for second window (**Y**). **Keep windows (Y) in position for the next step.**
- (W1) x2

Note: Trim any excess gasket with scissors.

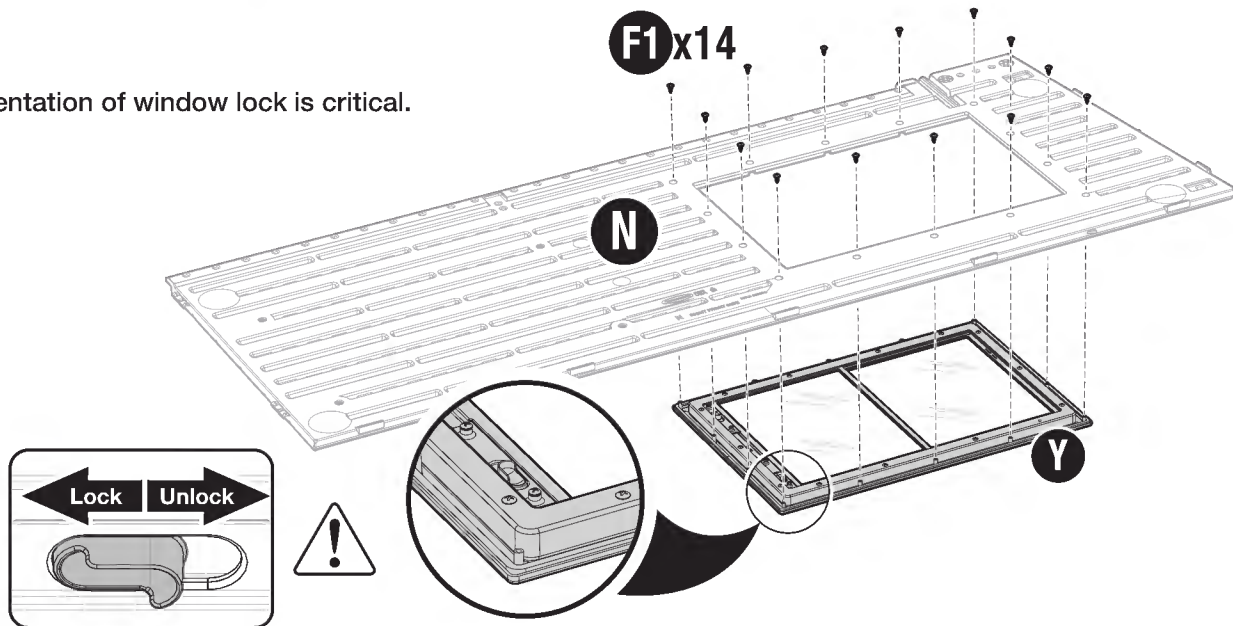




With 1 front window facing down (Y), position the right front side (N) over the window as shown. Lower right front side (N) until the window (Y) is nested in place. Secure window with 14 screws (F1).

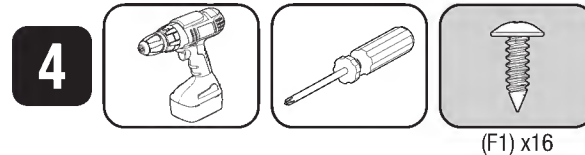
Repeat for remaining window (Y) with left front side (F).

IMPORTANT: Orientation of window lock is critical.



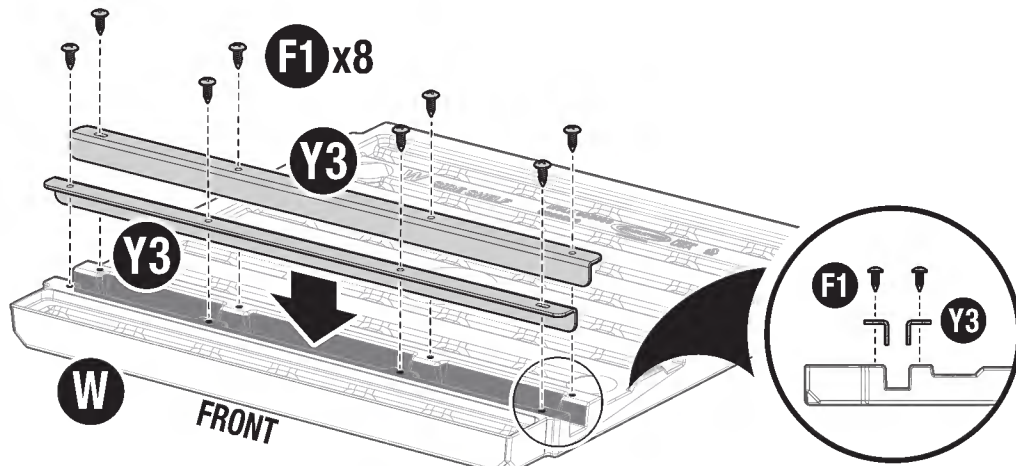
Pre-Assembly - Shelves

Required Hardware/ Steel Kits

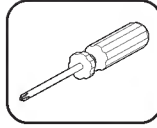


Position 1 side shelf (W) with smooth side facing down. Using 4 screws each (F1), secure 2 L-Brackets (19.10", Y3) as shown.

Repeat for remaining shelf (W).

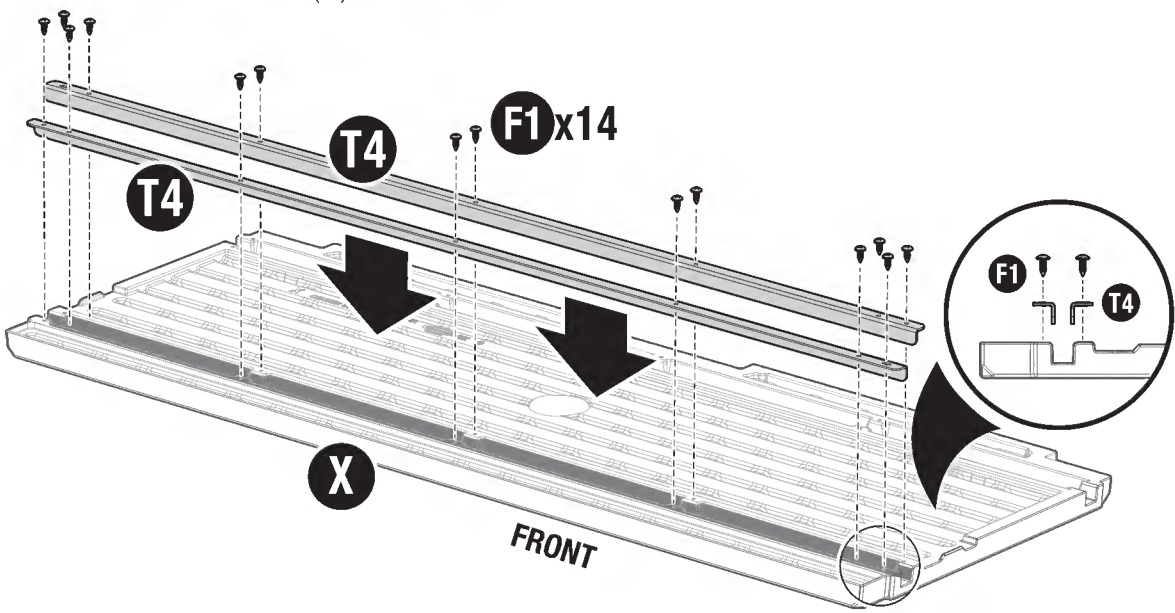


5

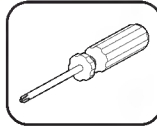
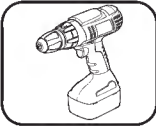


(F1) x14

Position center shelf (X) with smooth side facing down. Using 7 screws (F1) each, secure 2 L-Brackets (53.60",T4) to the front edge of shelf (X) as shown.

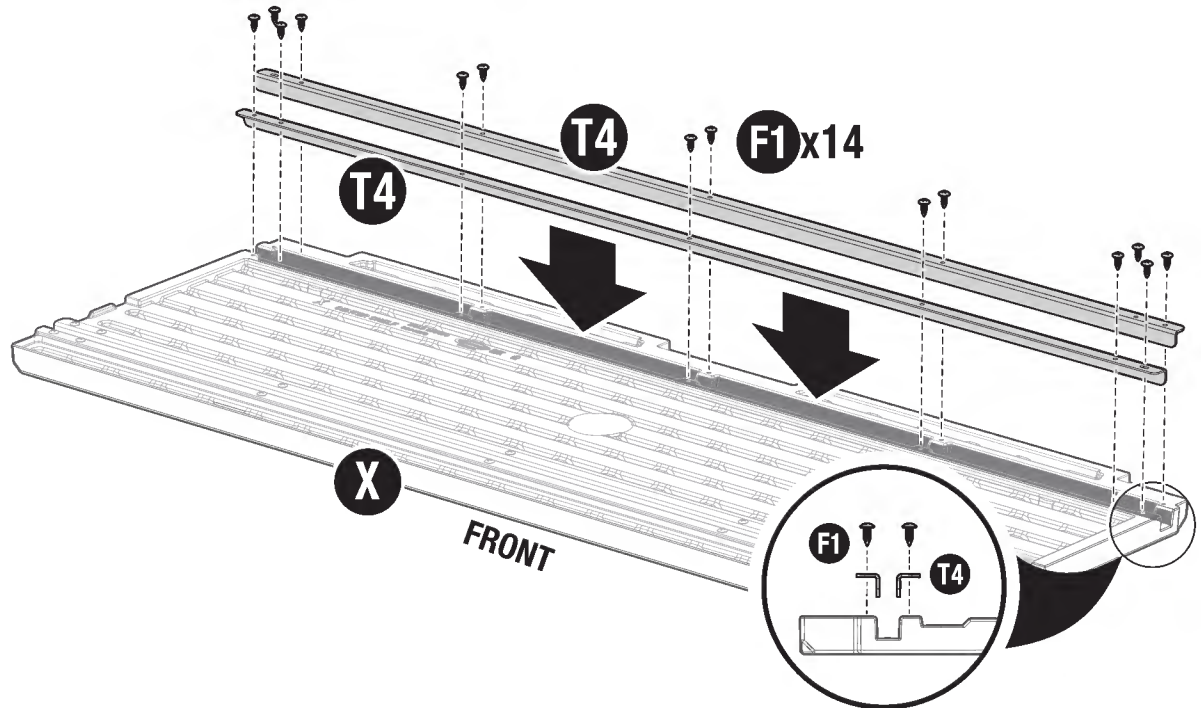


6



(F1) x14

Using 7 screws each (F1), secure 2 L-Brackets (53.60",T4) to the back edge of center shelf (X) as shown.

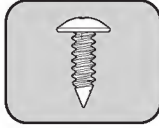
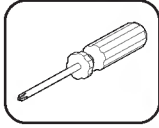


Pre-Assembly - Interior Countertop

Required Hardware/ Steel Kits



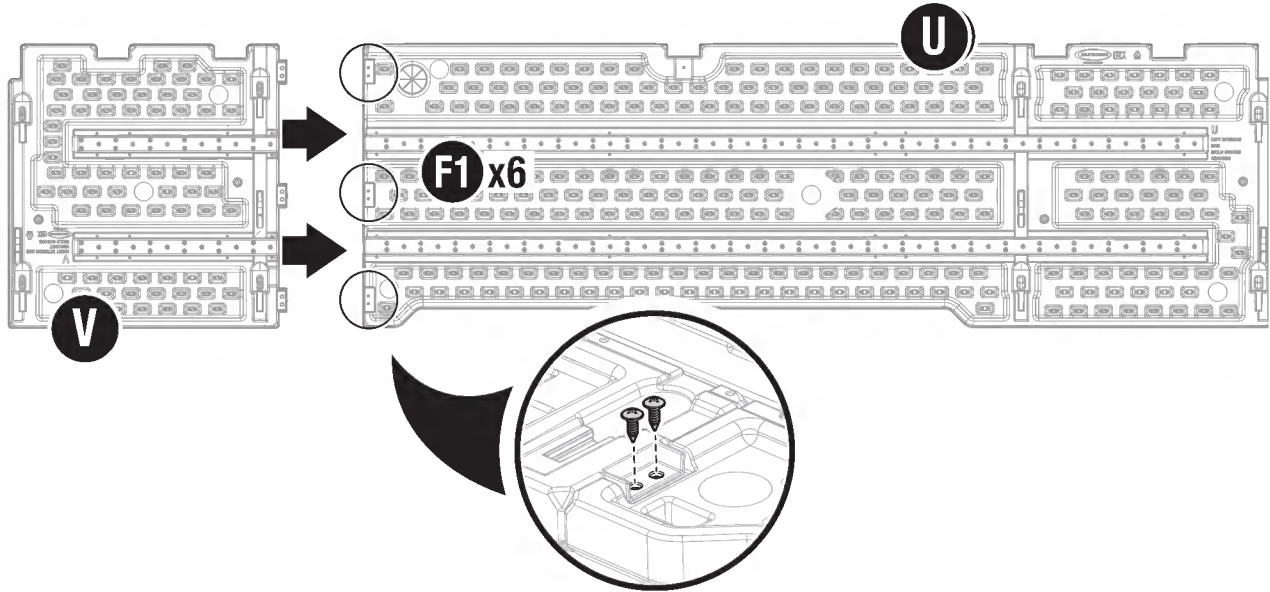
7



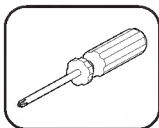
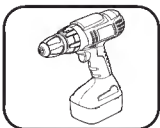
(F1) x6

Slide the right interior (**V**) and left interior (**U**) countertops together, as shown. Secure using 6 screws (**F1**).

Keep parts in position for the next step.

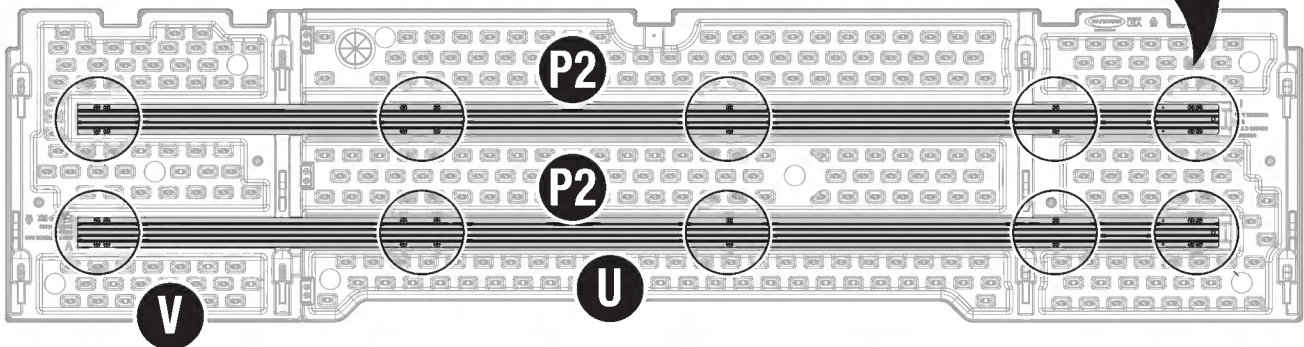
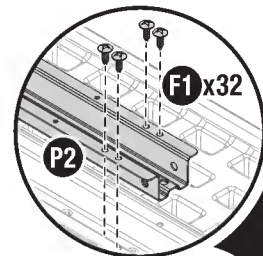


8



(F1) x32

Using 16 screws each (**F1**), secure 2 truss legs (**82.90"**, **P2**) into the channels where indicated.

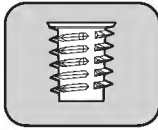
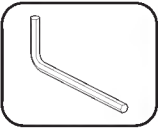


Pre-Assembly - Awning

Required Hardware/ Steel Kits



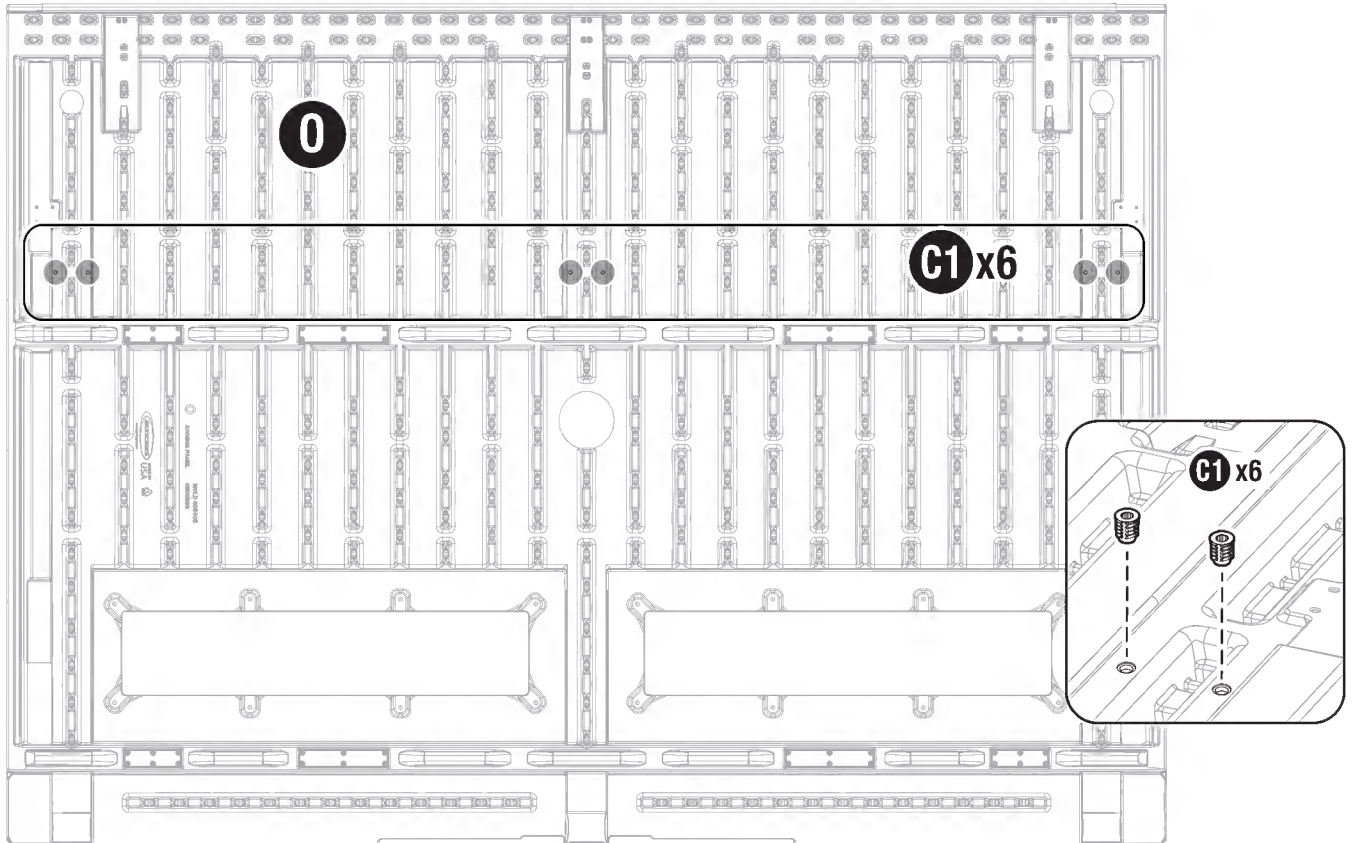
9



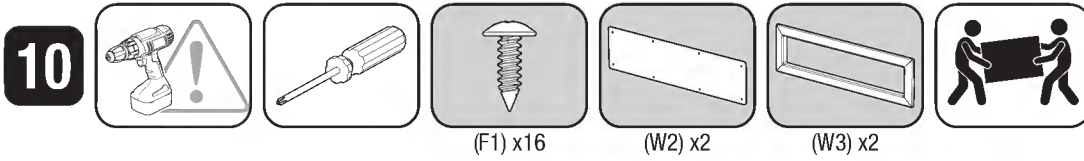
C1 x6

Place the awning (O) on a flat surface as shown. Install 6 threaded nut inserts (C1) into the locations indicated.

NOTE: Nut inserts are secure once they are sitting flush with the surface of the awning (O).

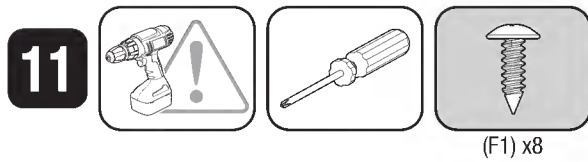
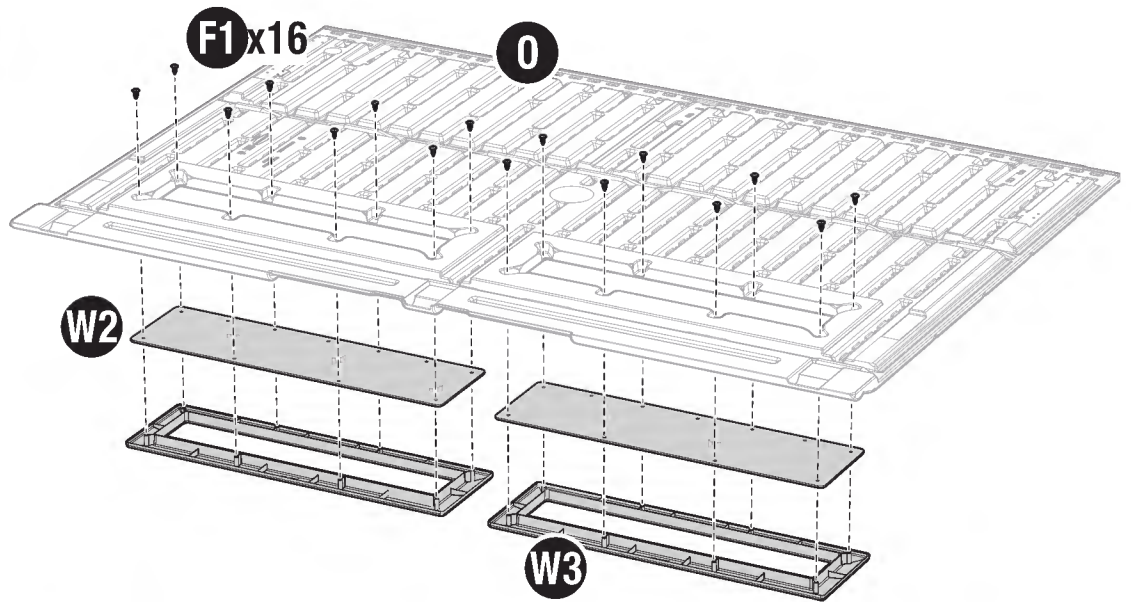


Keep awning (O) in position for the remaining steps in this section.

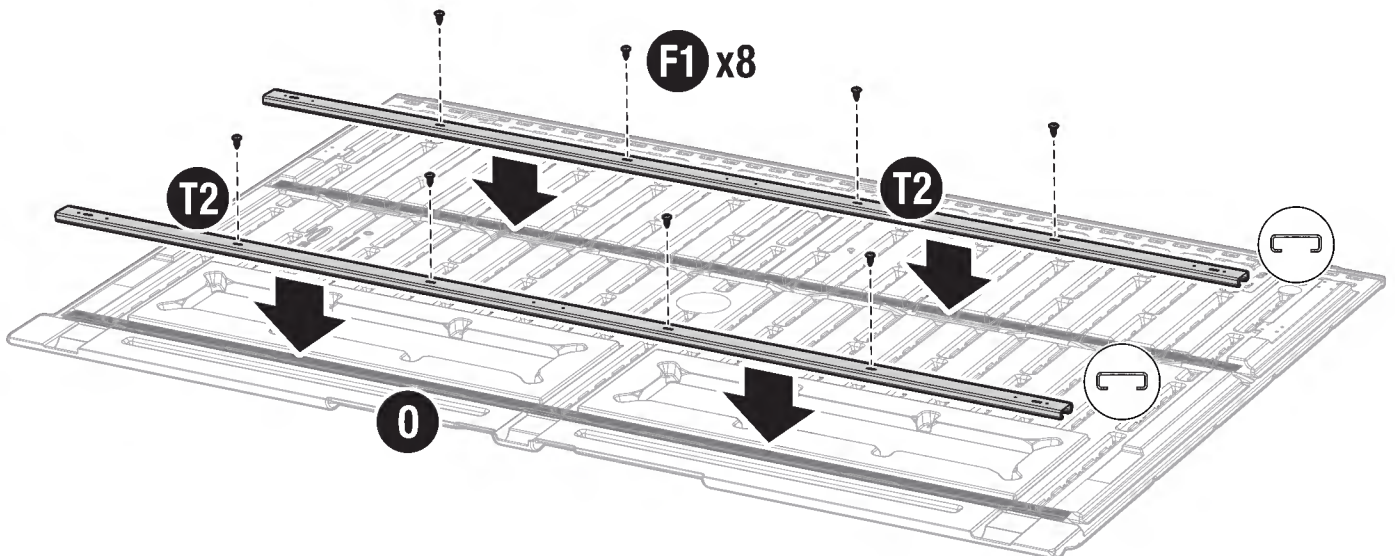


Place 2 window frames (**W3**), face down in front of awning (**O**). Insert 1 window (**W2**) into each frame.

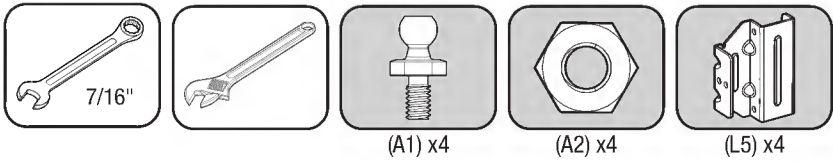
With the help of a second person, lift awning (**O**) up to align cut outs with window assemblies (**W2,W3**) and then lower into position. Secure with 16 screws (**F1**) where indicated.



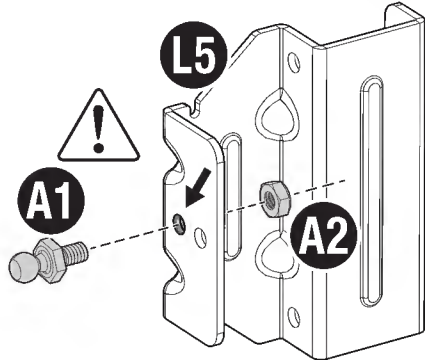
Using 4 screws each (**F1**), secure 2 header beams (**69.5"**, **T2**) as shown.



12



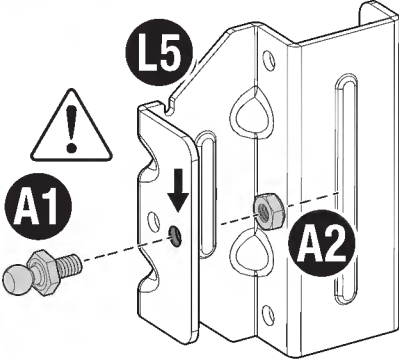
IMPORTANT: Orientation is critical. Refer to arrows for correct placement.



Adapter Configuration (x2)

Adapter Configuration: Position 1 gas shock mount (L5) on a flat surface as shown. Secure 1 ball post (A1) using 1 nut (A2) in the hole indicated for **Adapter Configuration**.

Repeat process to complete second **Adapter Configuration**. **Set Adapter Configurations aside, they will be used later in the assembly.**

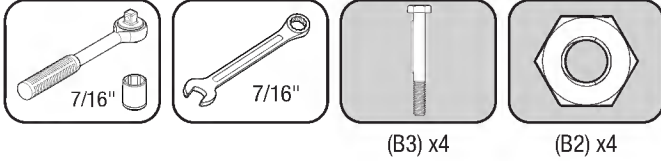


Awning Configuration (x2)

Awning Configuration: Position 1 gas shock mount (L5) on a flat surface as shown. Secure 1 ball post (A1) using 1 nut (A2) in the hole indicated for **Awning Configuration**.

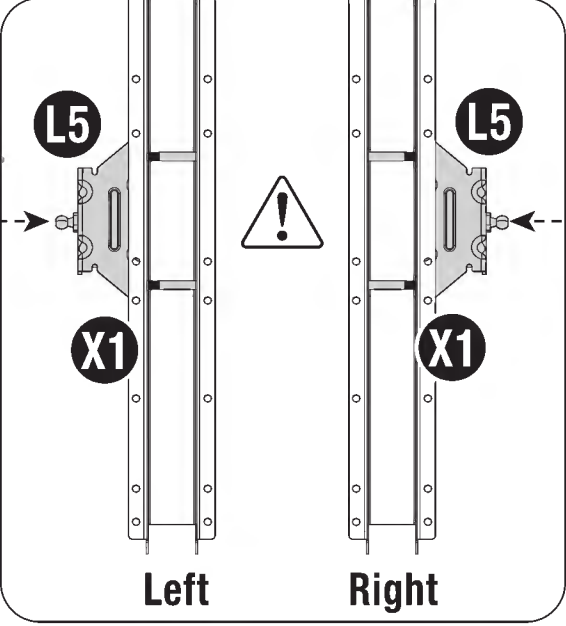
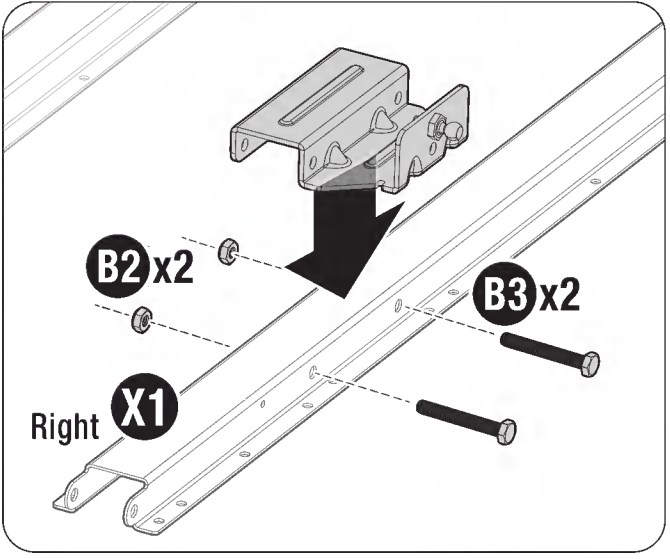
Repeat process to complete second **Awning Configuration**. **Awning configurations are required for the next assembly step.**

13



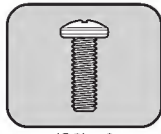
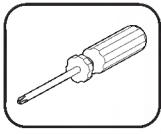
Place 2 side adapters (33.62", X1) on a flat surface as shown. Secure 1 **Awning Configuration** to each side adapter (X1) using 2 bolts (B3) and nuts (B2) each.

IMPORTANT: Orientation is critical.



Keep the just assembled parts on hand for the next step.

14

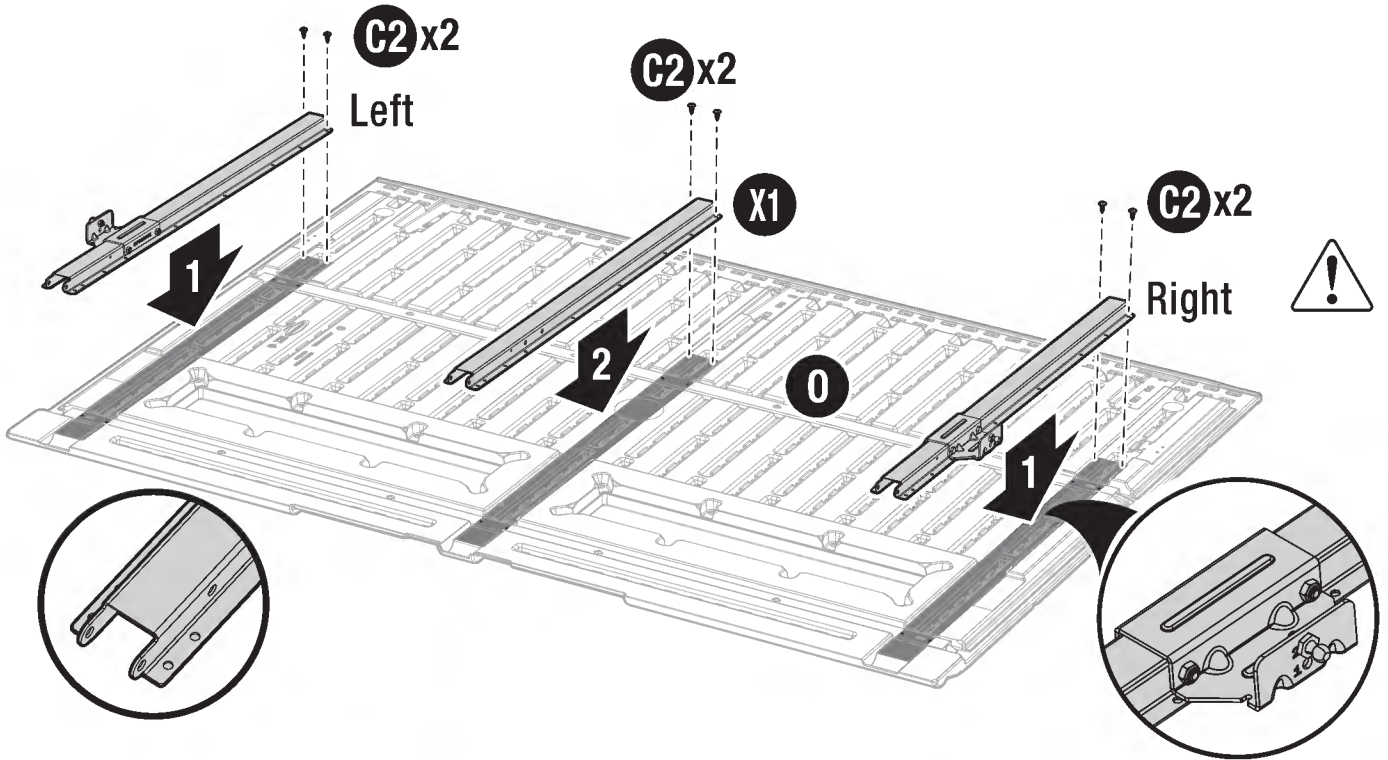


(C2) x6

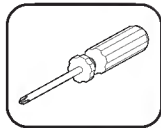
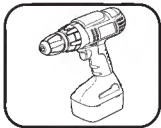
Using 2 screws each (C2). Secure the previously assembled configurations to the left and right sides of the awning (O) as shown.

Using 2 additional screws (C2) secure the remaining side adapter (33.62",X1).

IMPORTANT: Orientation is critical.

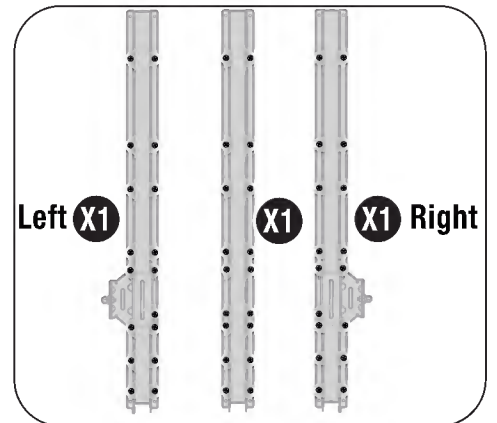
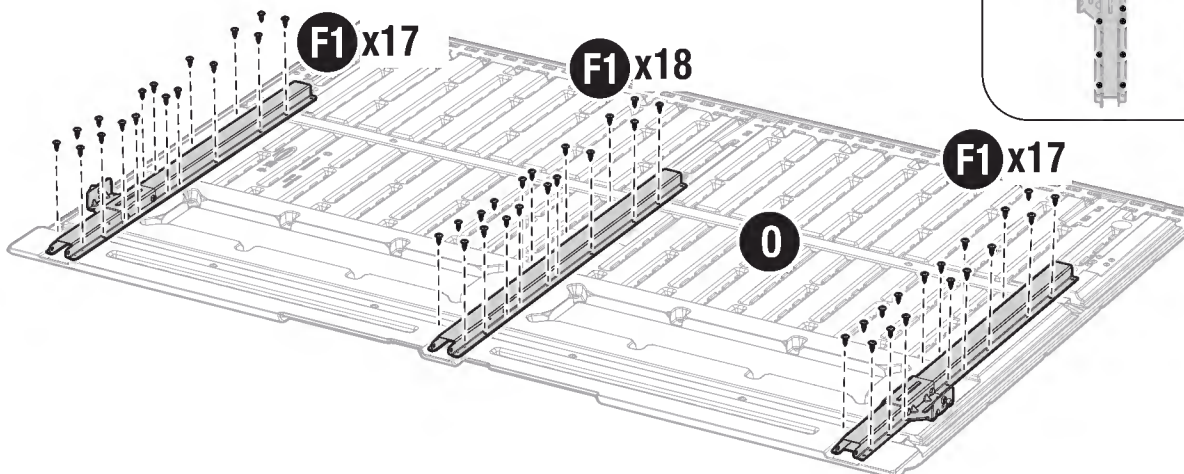


15

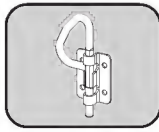
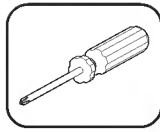
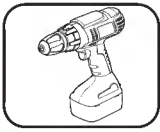


(F1) x52

Using 52 screws total (F1), further secure the previously assembled adapters where indicated below.



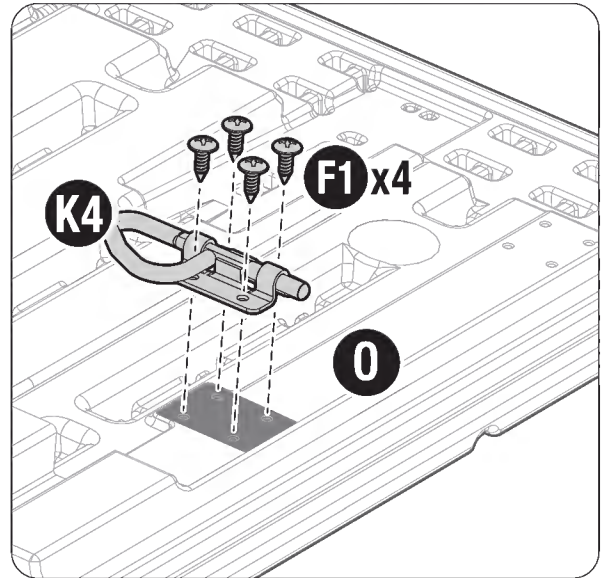
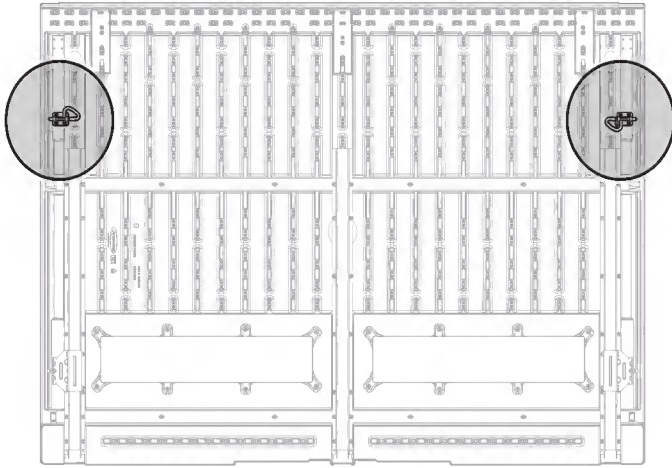
16



(F1) x8

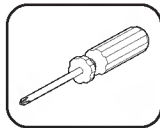
(K4) x2

Using 4 screws each (F1) secure 2 D-rings (K4) to awning (O).



Pre-Assembly - Lower Front

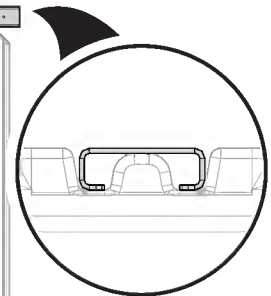
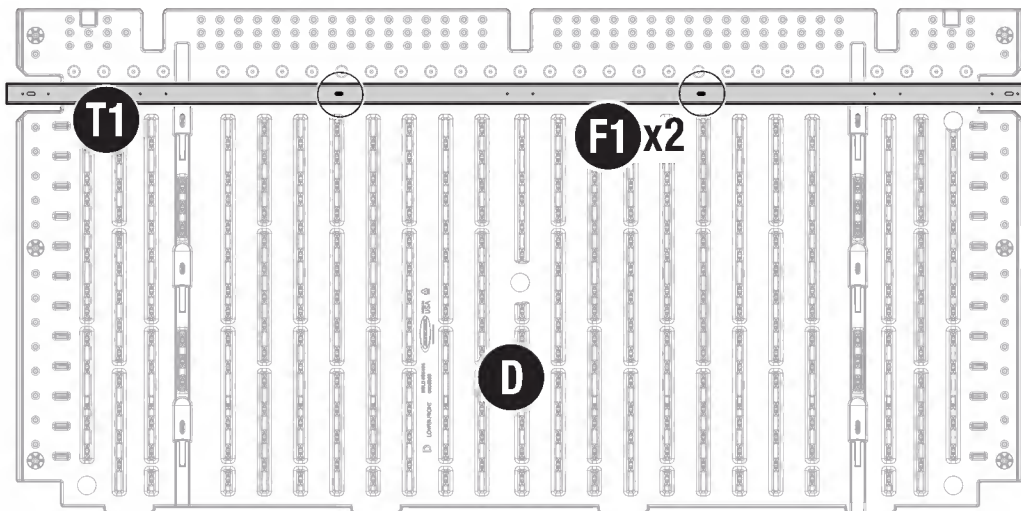
Required Hardware/ Steel Kits



Place the lower front (D) on a flat surface. Using 2 screws (F1) secure header beam (82", T1) where indicated.

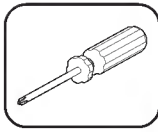
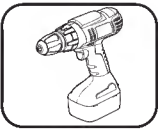
17

(F1) x2



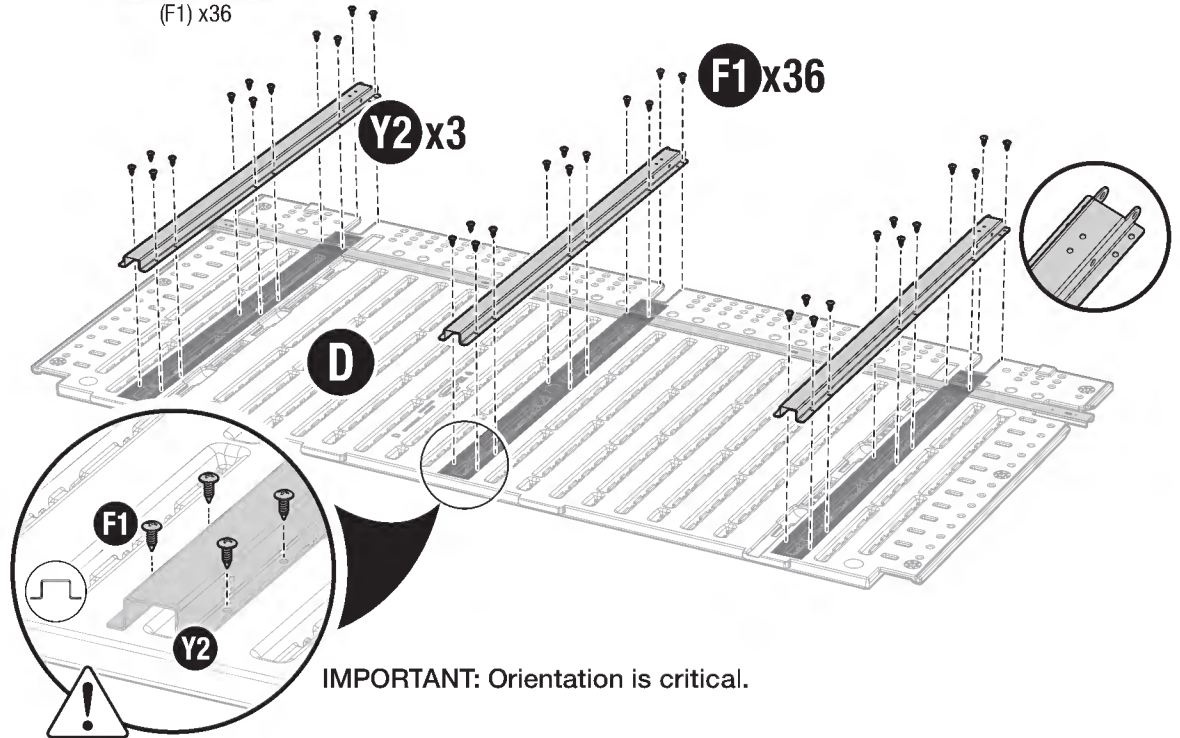
Keep lower front (D) in position for next steps in this section.

18



(F1) x36

Using 12 screws each (F1), secure 3 side adapters (39", Y2) as shown.

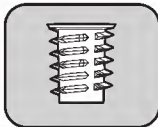
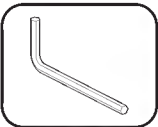


Pre-Assembly - Bar Top & Bar Supports

Required Hardware/ Steel Kits

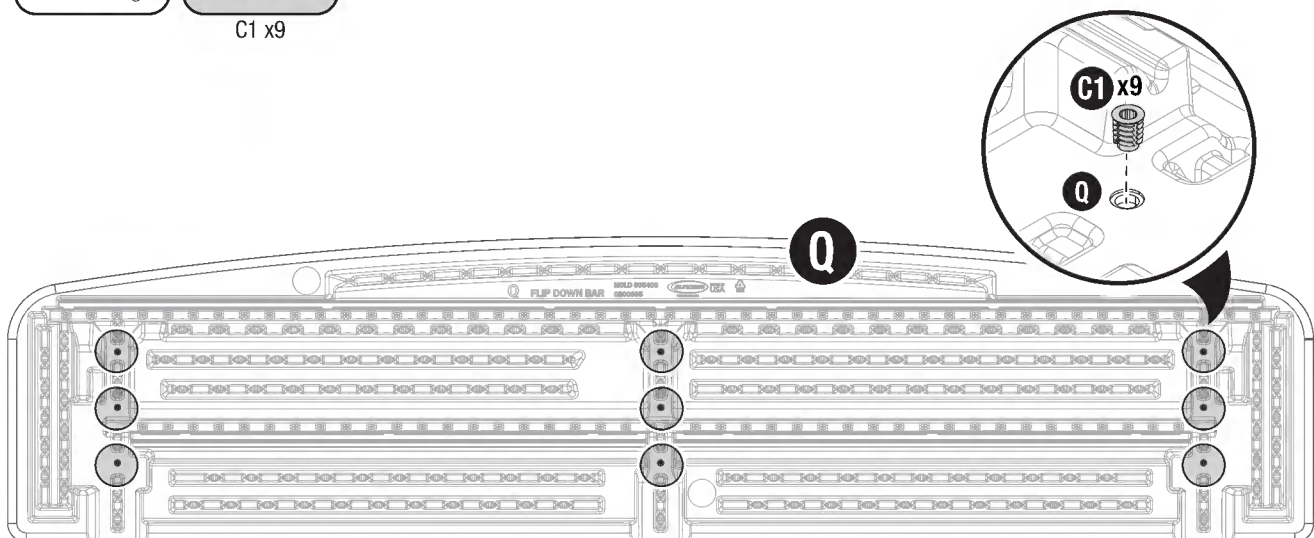


19



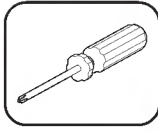
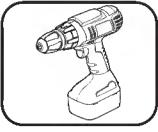
C1 x9

Place bar top (Q) on a flat surface. Install 9 threaded nut inserts (C1) where indicated. Nut inserts (C1) are secure once they are sitting flush with the surface of the bar top (Q).



Keep Bar Top (Q) in position for the next steps in this section.

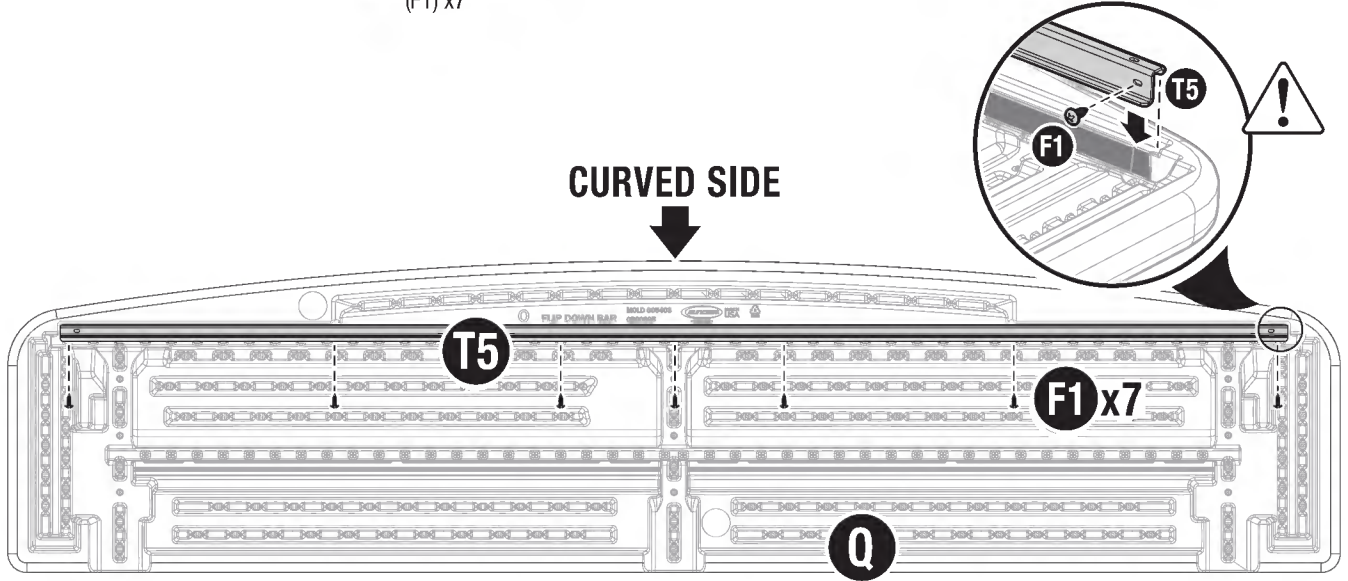
20



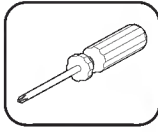
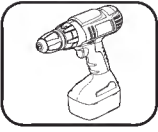
(F1) x7

Using 7 screws (F1) secure 1 S-rail (65", T5).

IMPORTANT: S-rail (T5) must be completely seated into channel.



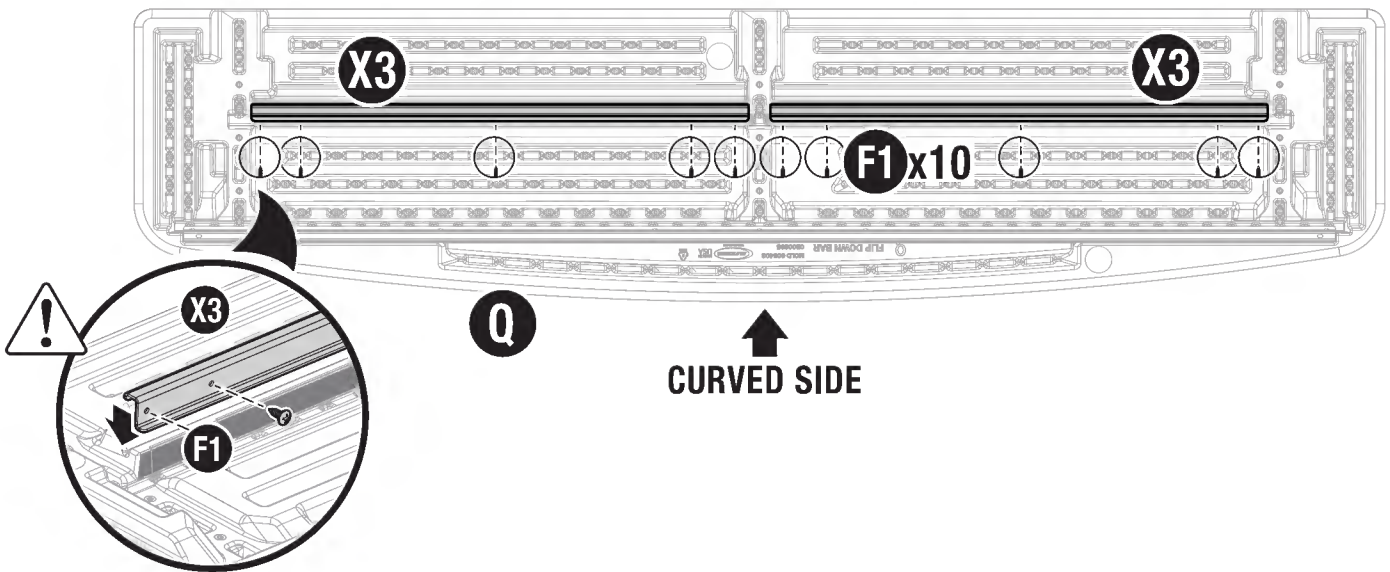
21



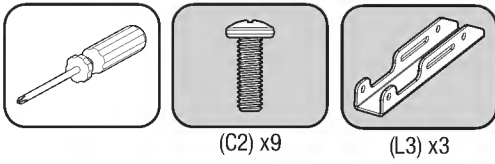
(F1) x10

Using 5 screws each (F1), secure 2 S-rails (27.98", X3) as shown.

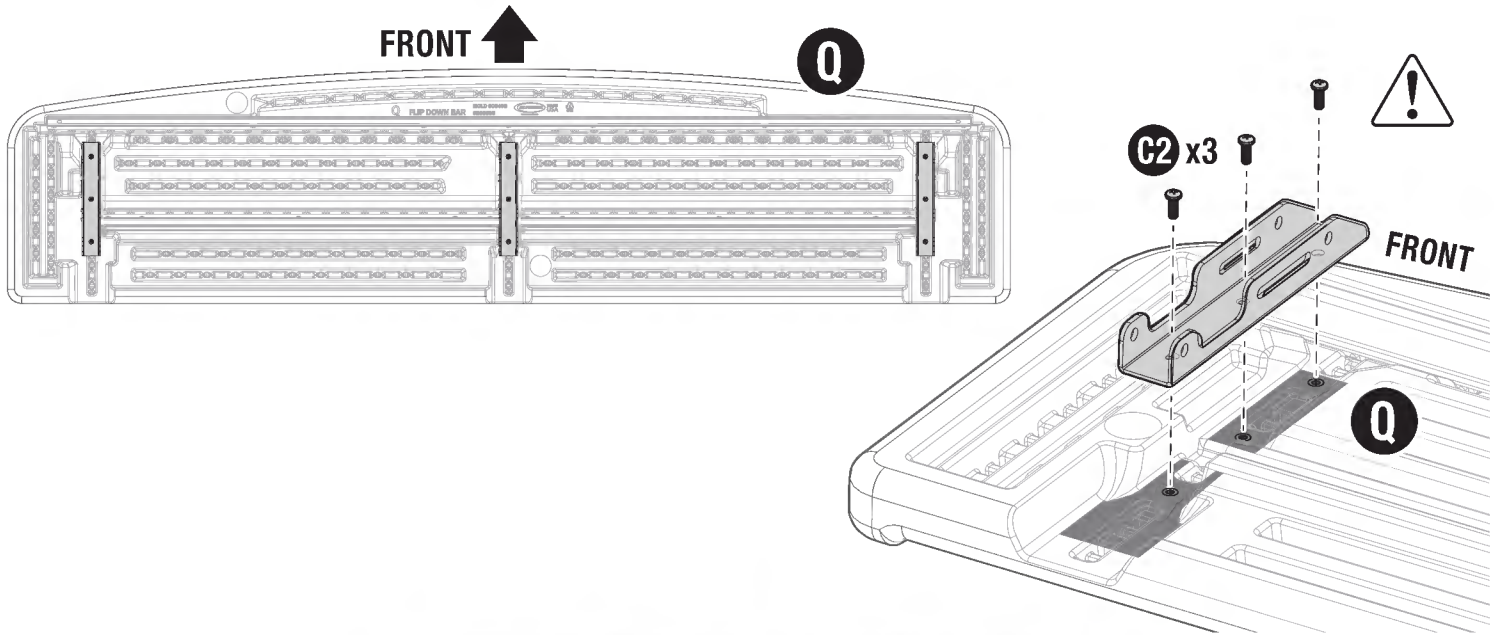
IMPORTANT: S-rail (X3) must be completely seated into channel.



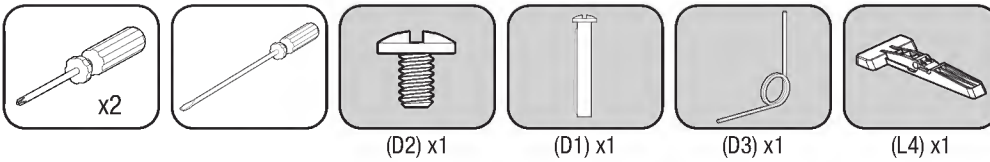
22



Using 3 bolts (C2) each, secure 3 slotted brackets (L3) to bar top (Q) where indicated. **IMPORTANT:** Orientation of slotted bracket (L3) is critical.



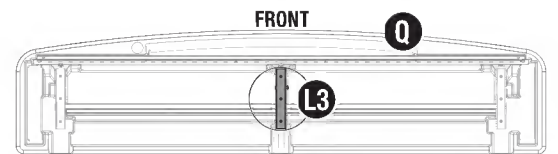
23



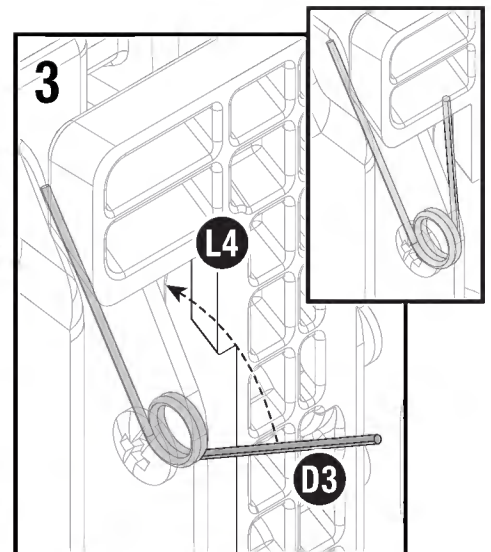
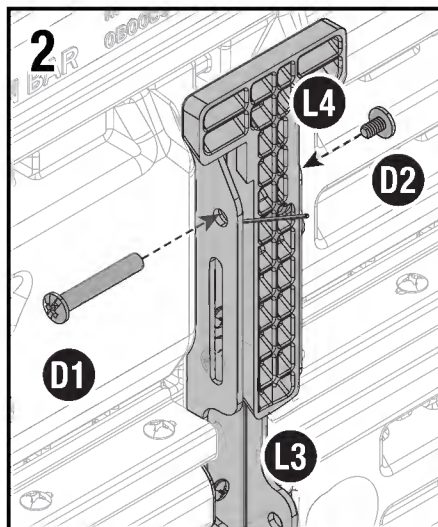
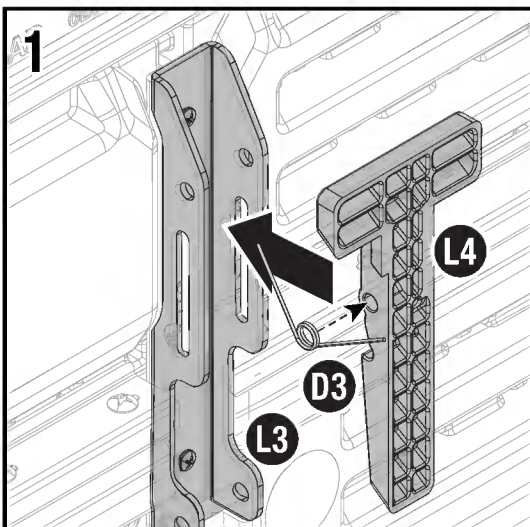
Locate the slotted bracket (L3) installed on the center of the bar top (Q).

- 1) Align the spring (D3) and bar latch (L4) at the center of the bracket as shown.
- 2) From the left, insert 1 barrel nut (D1) through the slotted bar support (L3), spring (D3), and bar latch (L4) and secure with 1 screw (D2).
- 3) Push down on the top of the spring (D3) until it slides under the bar lock.

NOTE: A flat head screwdriver may be helpful to push the spring in position.



IMPORTANT: Orientation is critical.

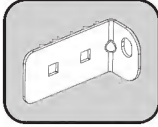
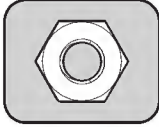
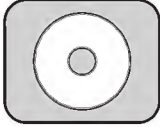
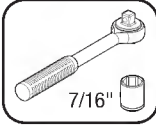


Pre-Assembly - Door Latch & Cord Slide

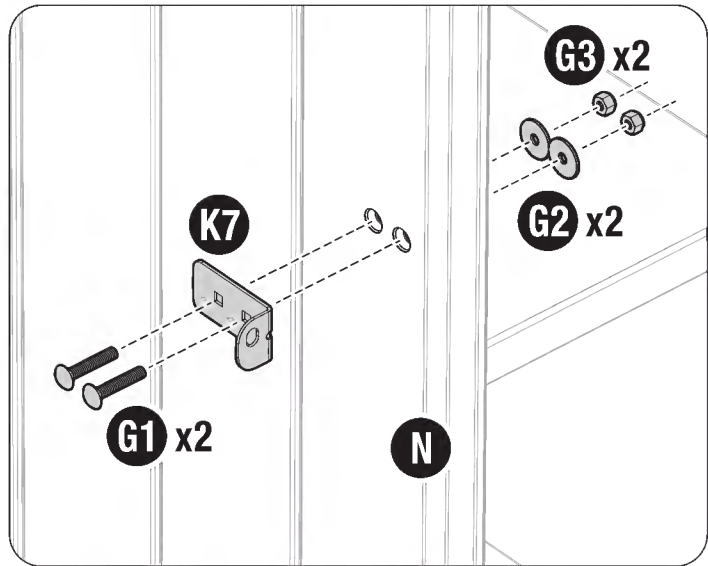
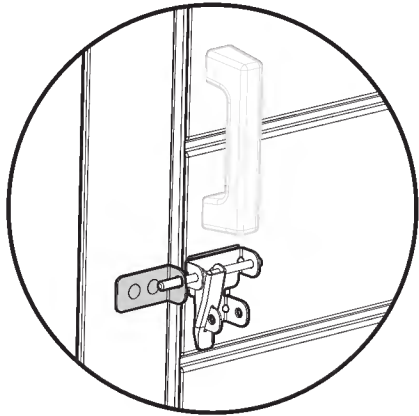
Required Hardware/ Steel Kits



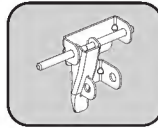
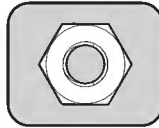
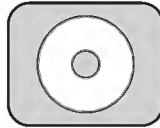
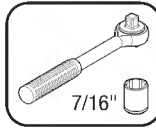
24



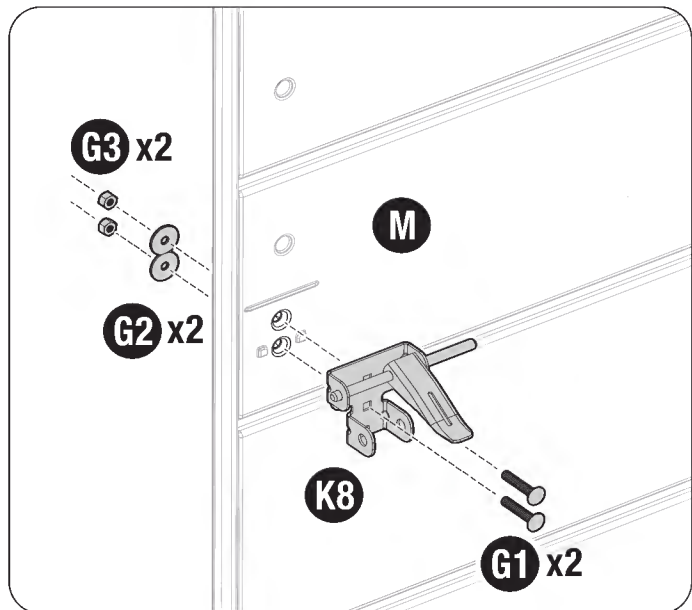
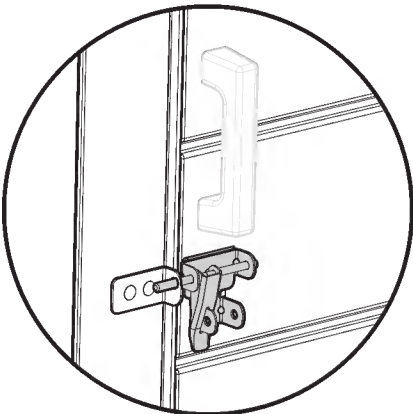
Insert 2 bolts (G1) into the left latch plate (K7) and through the right front side (N) as shown. While holding the plate in place, secure each bolt with 1 washer (G2) and nut (G3) each.



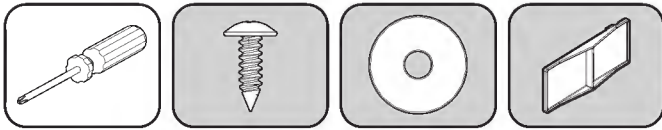
25



Insert 2 bolts (G1) into the latch assembly (K8) and through right door (M) as shown. While holding the latch assembly in place, secure each bolt with 1 washer (G2) and nut (G3) each.



26



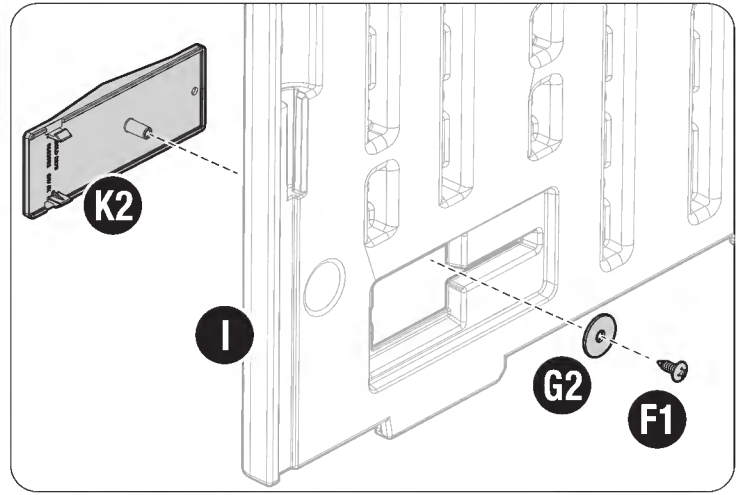
(F1) x1

(G2) x1

(K2) x1

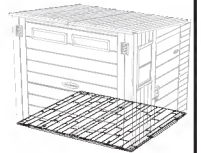
Attach cord slide (K2) to the left back (I) using 1 screw (F1) and washer (G2).

NOTE: Do not overtighten. Cord slide should slide back and forth without much resistance.

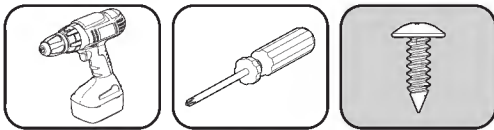


Assembly - Floor

Required Hardware/ Steel Kits

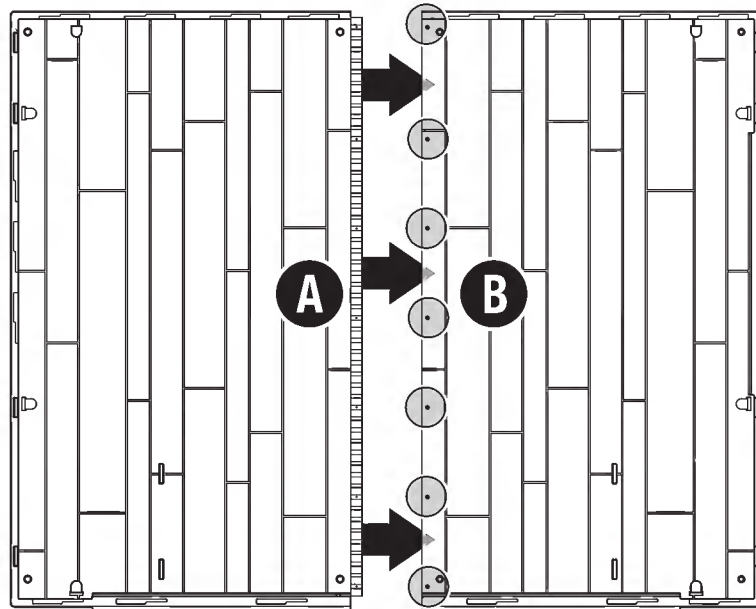
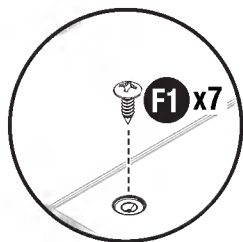


27



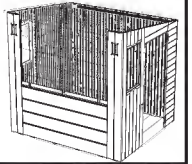
(F1) x7

Slide left floor (A) and right floor together (B). Secure with 7 screws (F1).



Assembly - Walls

Required Hardware/ Steel Kits

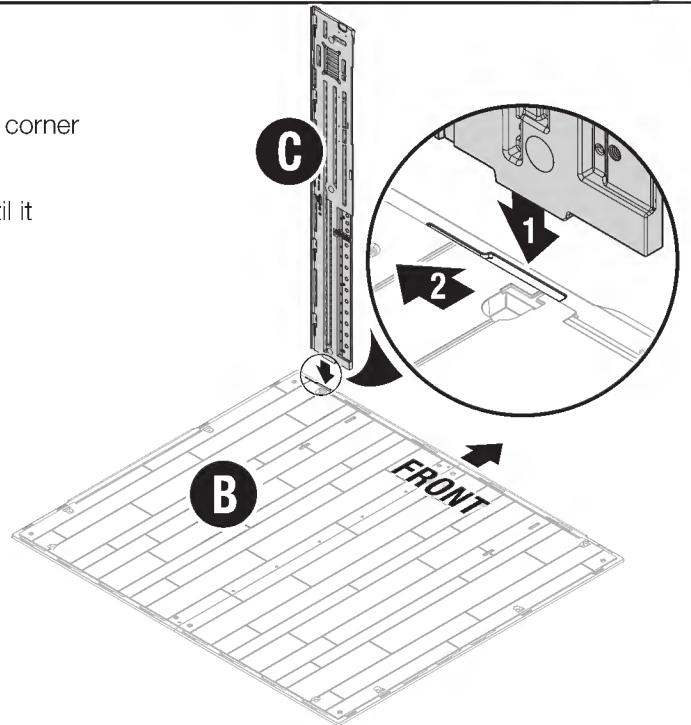


28

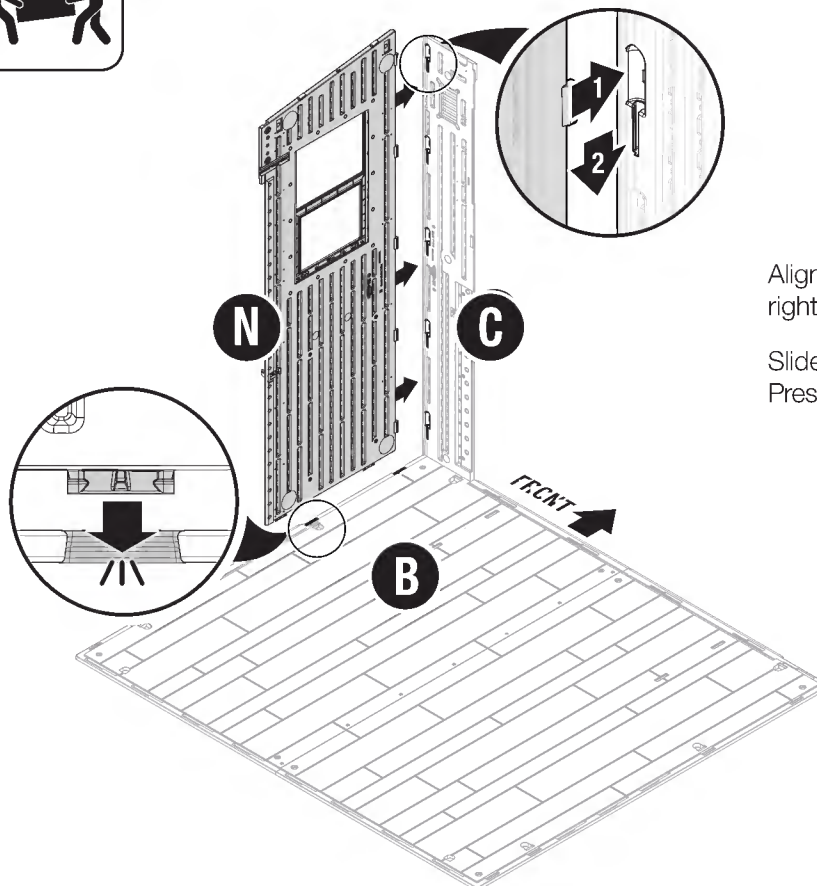


Insert bottom tab of right front (**C**) into the corner slot of right floor (**B**) as shown.

Slide right front (**C**) towards the corner until it locks into place.



29

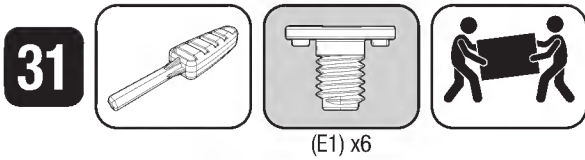
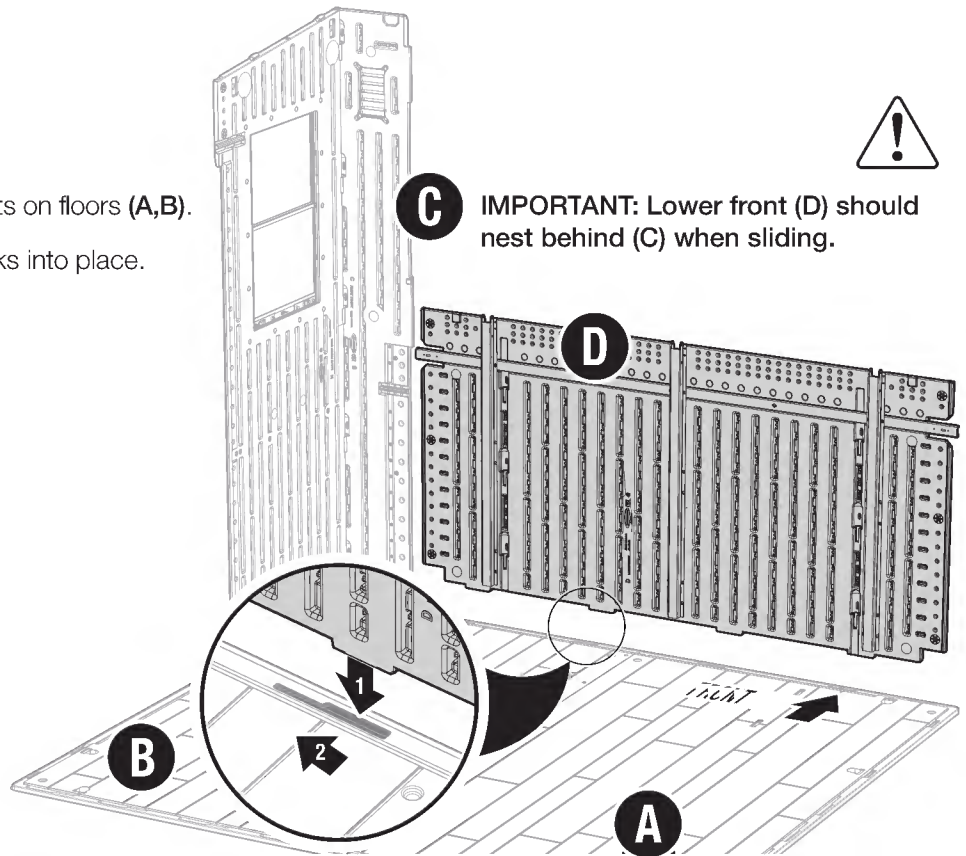


Align side tabs of right front side (**N**) with slots on right front (**C**).

Slide right front side (**N**) down to engage tabs. Press firmly until bottom tabs snap into right floor (**B**).



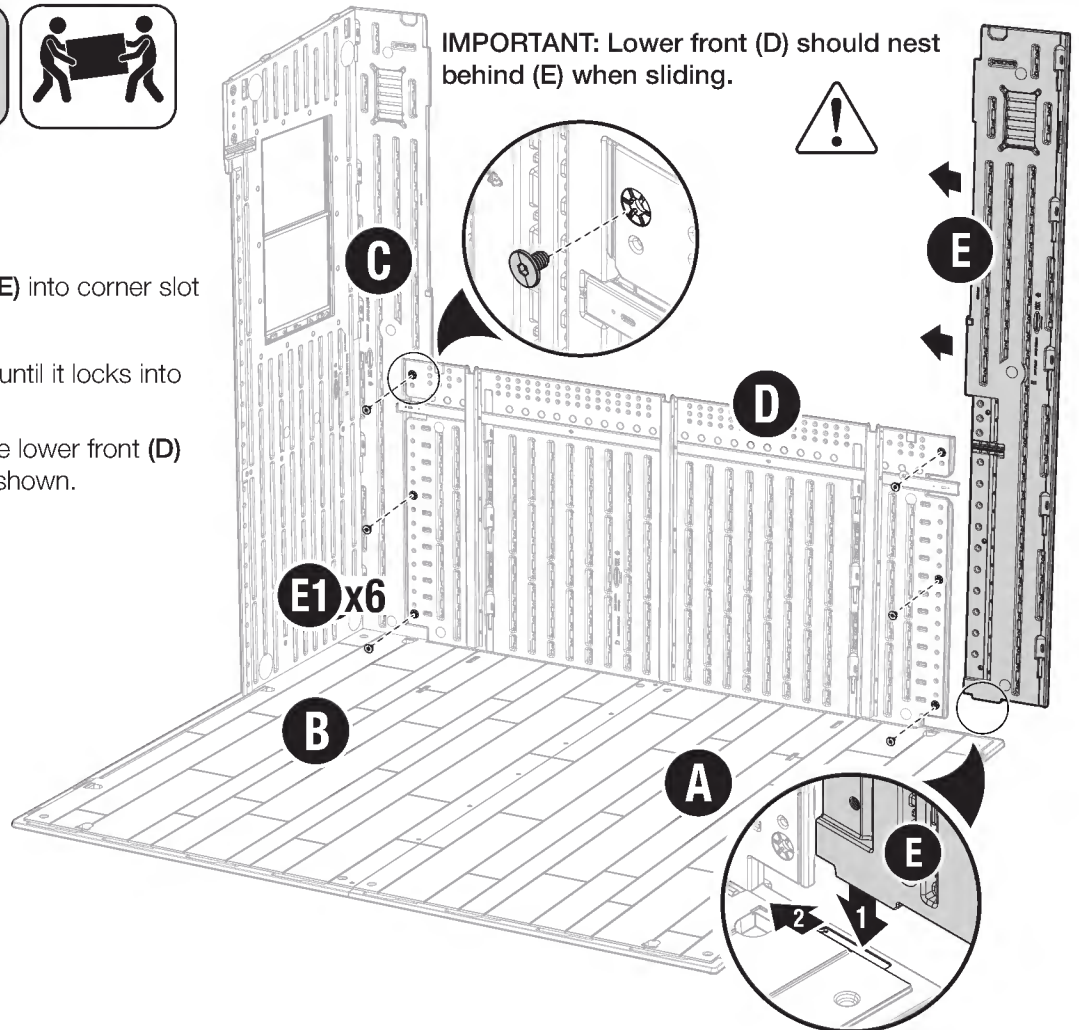
Align bottom tabs of lower front (D) with slots on floors (A,B).
Slide lower front (D) towards (C) until it locks into place.



Insert bottom tab of left front (E) into corner slot of left floor (A) as shown.

Slide left front (E) towards (C) until it locks into place.

Using 6 easy bolts (E1), secure lower front (D) to right and left front (C,E) as shown.
Tighten securely (3-4 clicks).

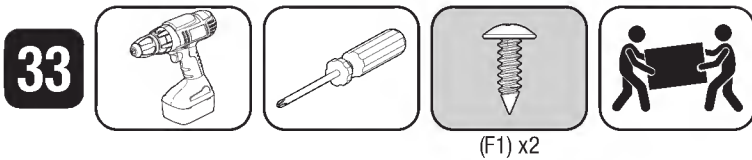
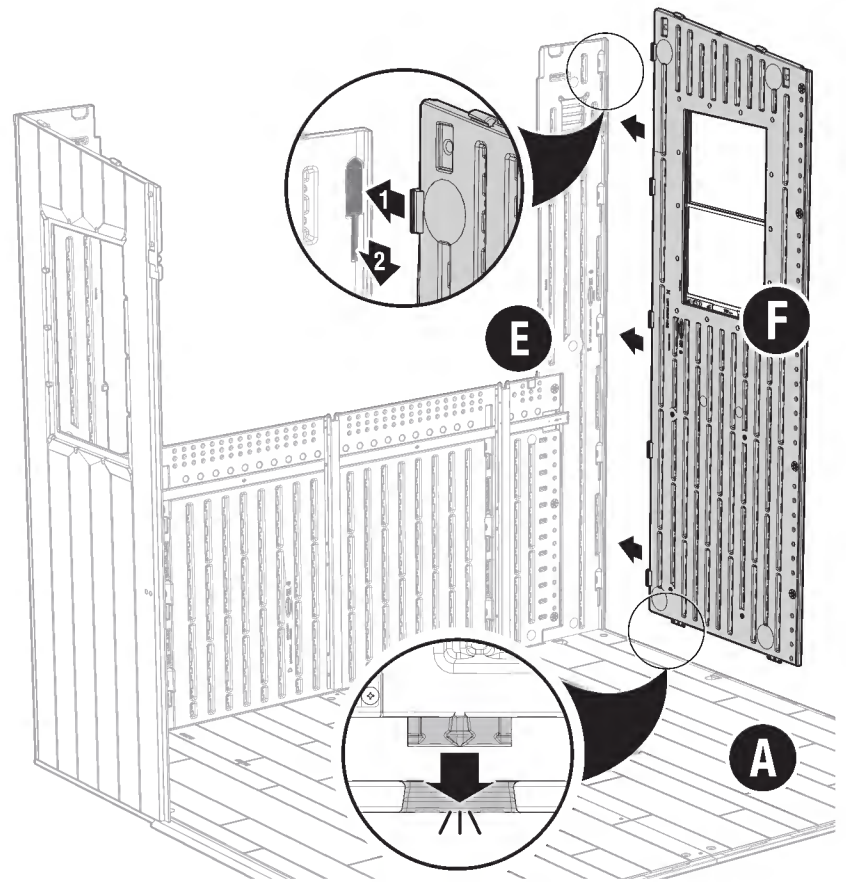




32

Align side tabs of left front side (F) with slots on left front (E).

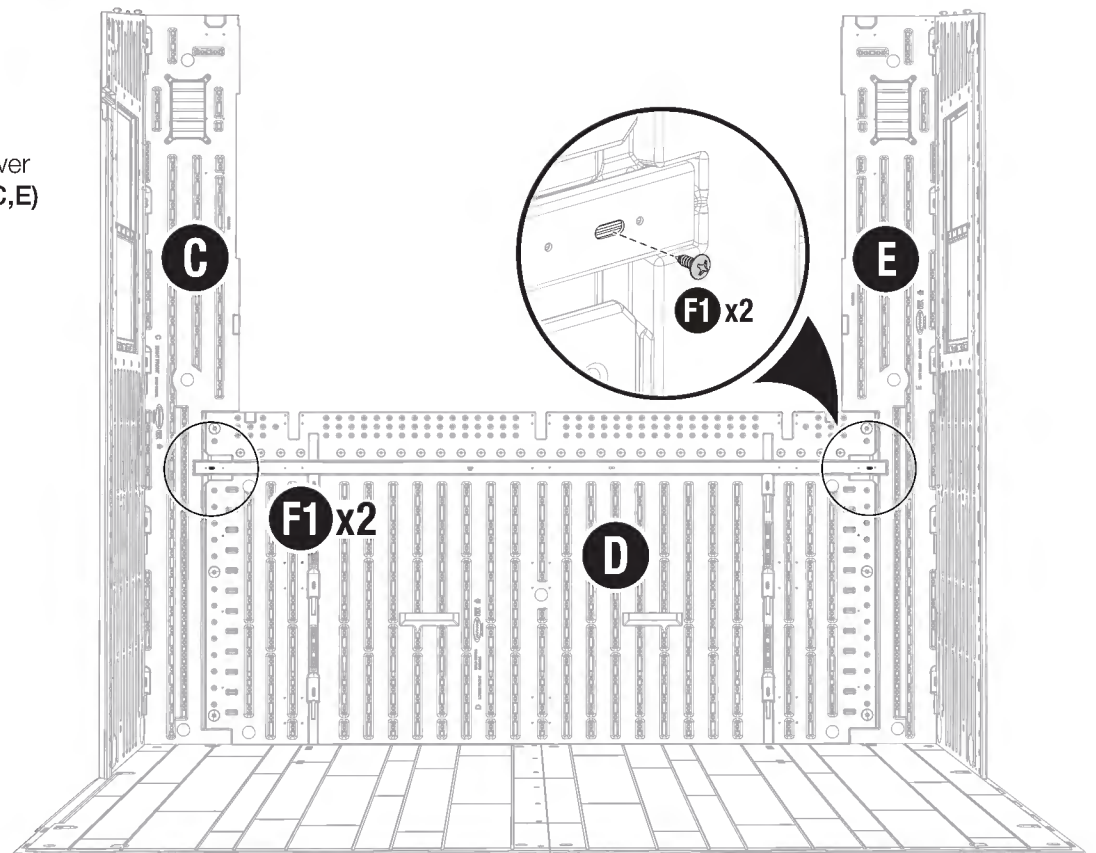
Slide left front side (F) downward to engage tabs.
Press firmly until bottom tabs snap into left floor (A).



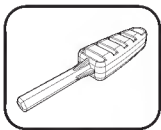
33

(F1) x2

Using 2 screws (F1), secure lower front (D) to right and left front (C,E) where indicated.



34



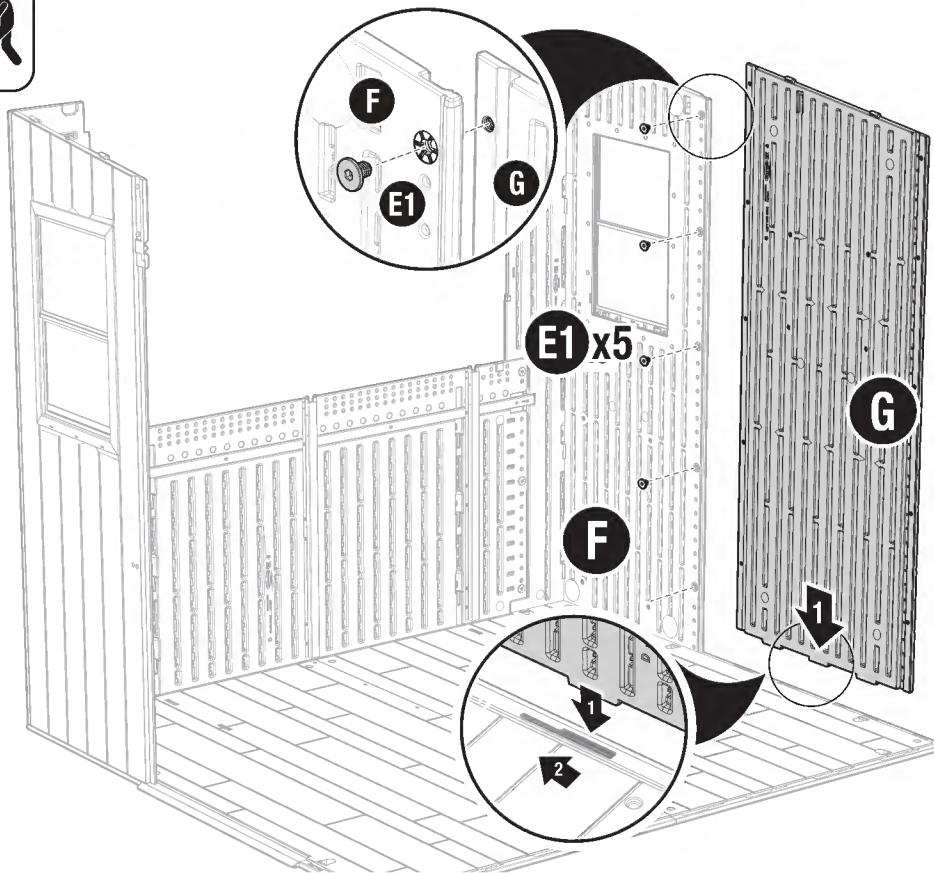
(E1) x5



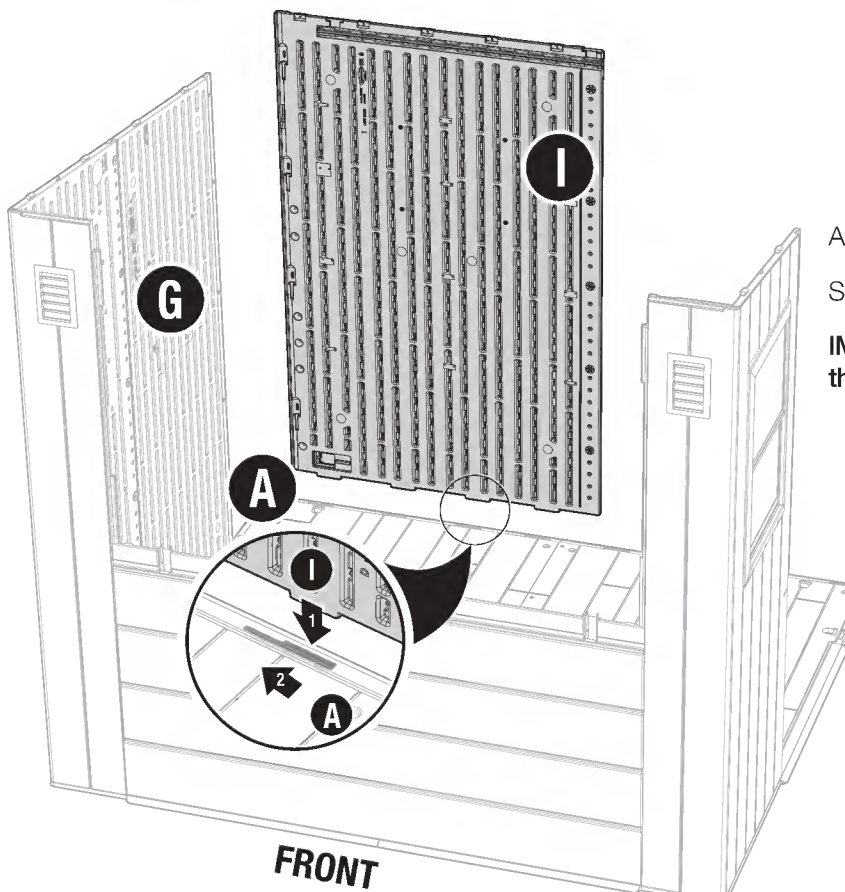
Align bottom tabs of left middle side (G) with slots on left floor (A) as shown.

Slide left middle side (G) towards (F) until it locks into place.

Using 5 easy bolts (E1), secure left middle side (G) to left front side (F). Tighten securely (3-4 clicks).



35

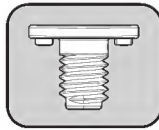
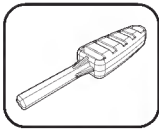


Align bottom tabs of left back (I) with slots of left floor (A).

Slide left back (I) towards (G) until it locks into place.

IMPORTANT: Have a second person support (I) until the next step is completed.

36



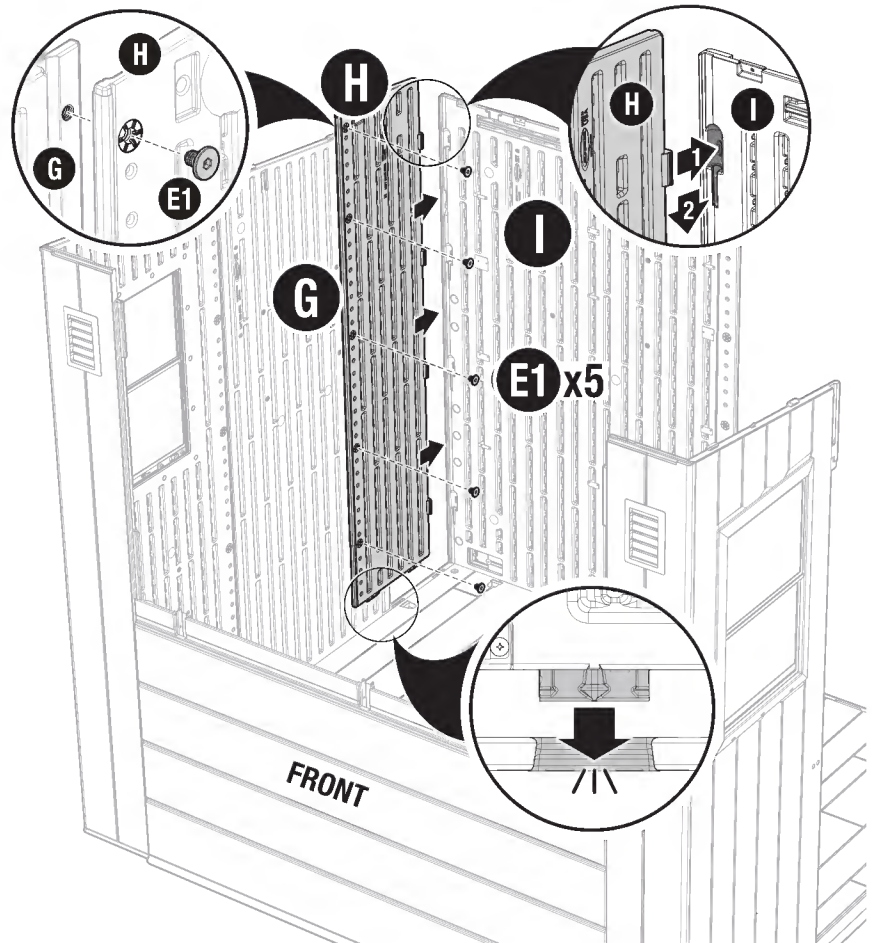
(E1) x5

Align side tabs of left back side (H) with slots on left back (I).

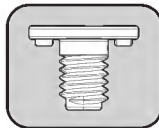
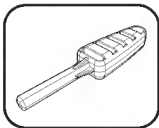
Slide left back side (H) down to engage tabs. Press firmly until bottom tabs snap into left floor (A).

Using 5 easy bolts (E1), secure left back side (H) to left middle side (G).

Tighten securely (3-4 clicks).



37



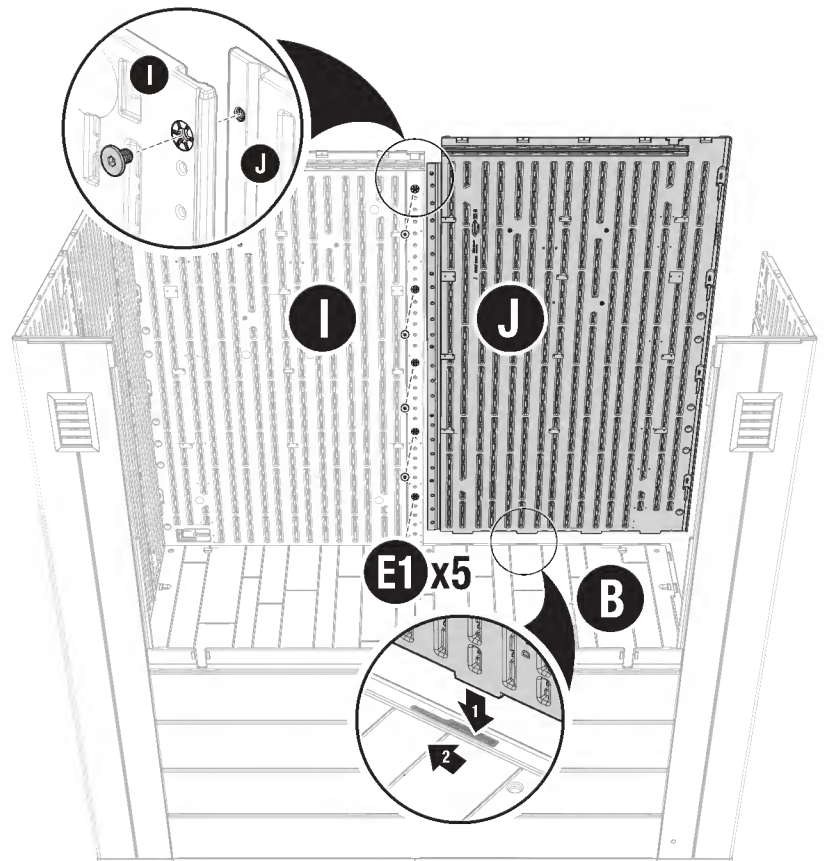
(E1) x5

Align bottom tabs of right back (J) with slots on right floor (B).

Slide right back (J) towards (I) until it locks into place.

Using 5 easy bolts (E1), secure right back (J) to left back (I).

Tighten securely (3-4 clicks).

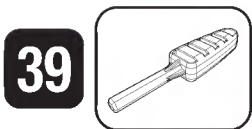
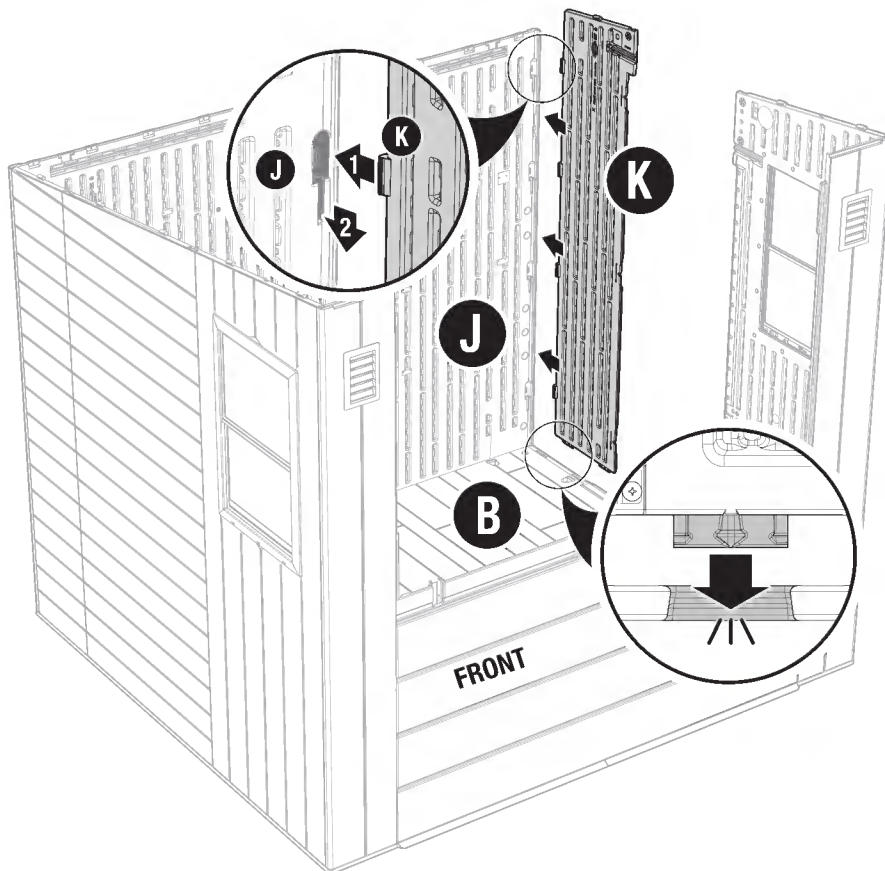




38

Align side tabs of right back side (**K**) with slots on right back (**J**).

Slide right back side (**K**) down to engage tabs. Press firmly until bottom tabs snap into right floor (**B**).



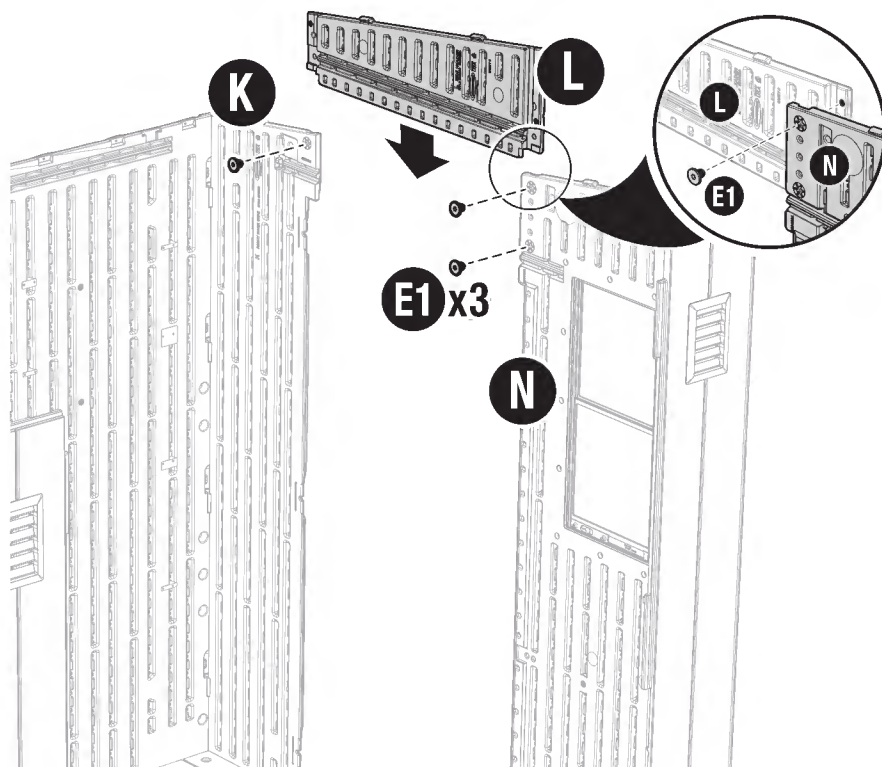
39



(E1) x3



Position side header (**L**) between right back side (**K**) and right front side (**N**) and secure with 3 easy bolts (**E1**) as shown. Tighten securely (3-4 clicks).

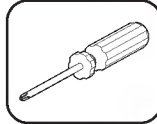


Assembly - Header Beams

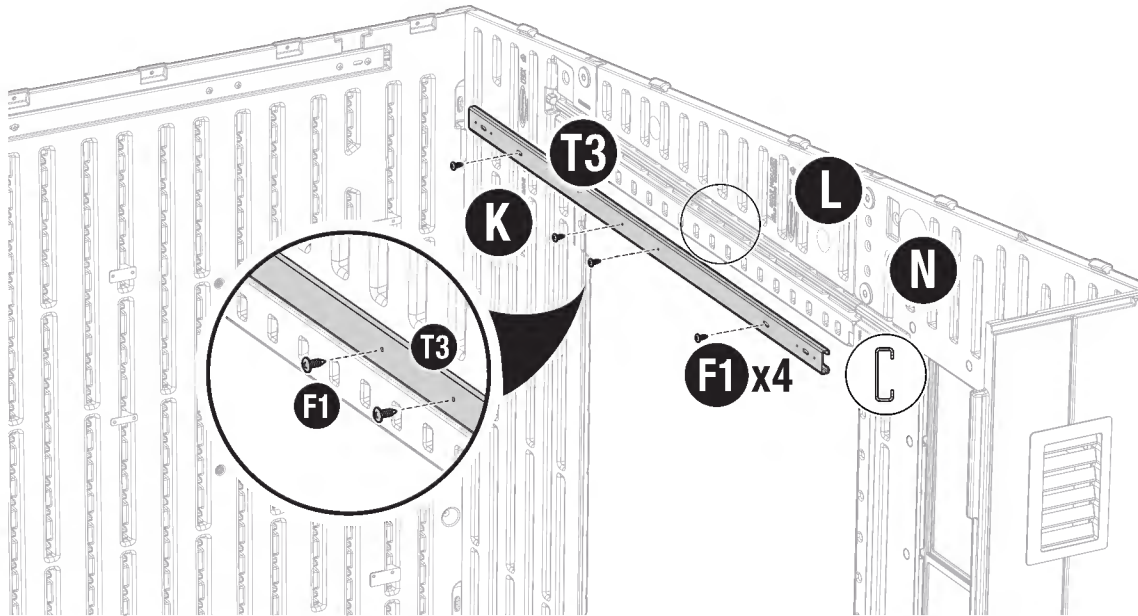
Required Hardware/ Steel Kits



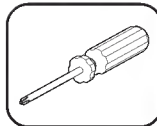
40



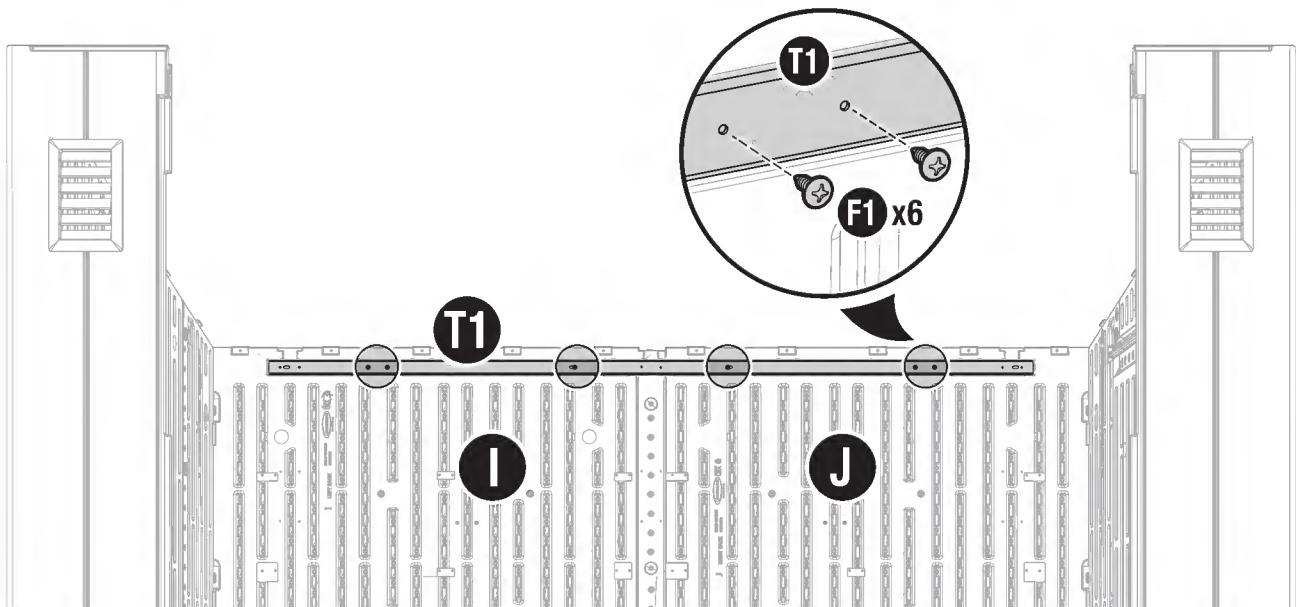
Position 1 header beam (**44.75"**, **T3**) across right back side (**K**), side header (**L**) and right front side (**N**) as shown. Secure with 4 screws (**F1**) where indicated.



41



Position 1 header beam (**82"**, **T1**) across the right and left back (**I,J**) as shown. Secure with 6 screws (**F1**) where indicated.

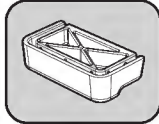
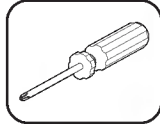


Assembly - Side Adapters

Required Hardware/ Steel Kits



42



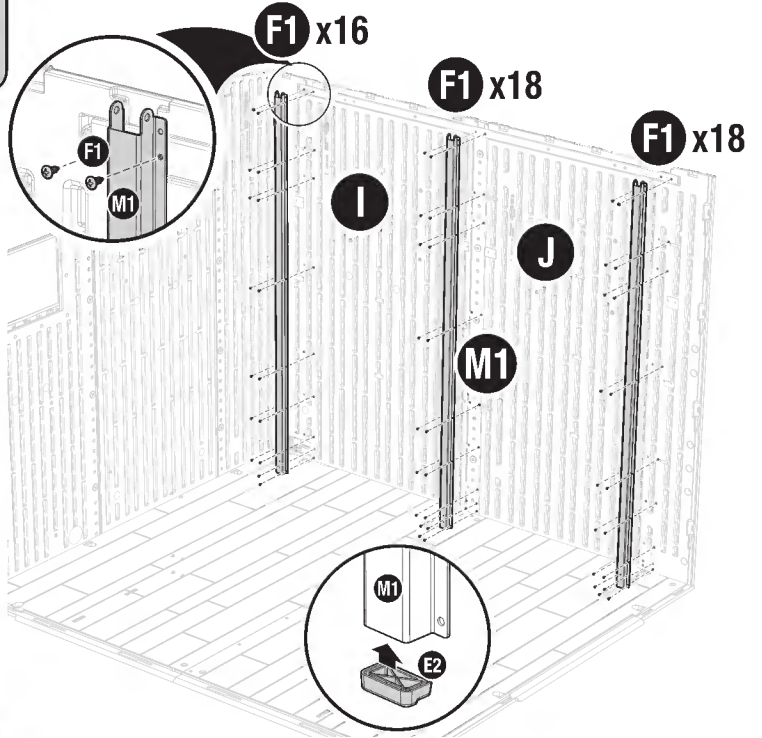
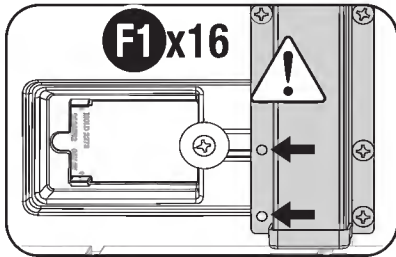
(F1) x52

(E2) x3

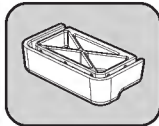
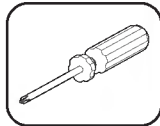
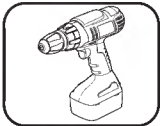
Attach 1 adapter cap (E2) each to the bottom end of 3 side adapters (74.75", M1).

Using 52 screws (F1) total, secure side adapters (M1) to the left and right back (I, J) where indicated.

IMPORTANT: Not all screw holes are used.



43



(F1) x38

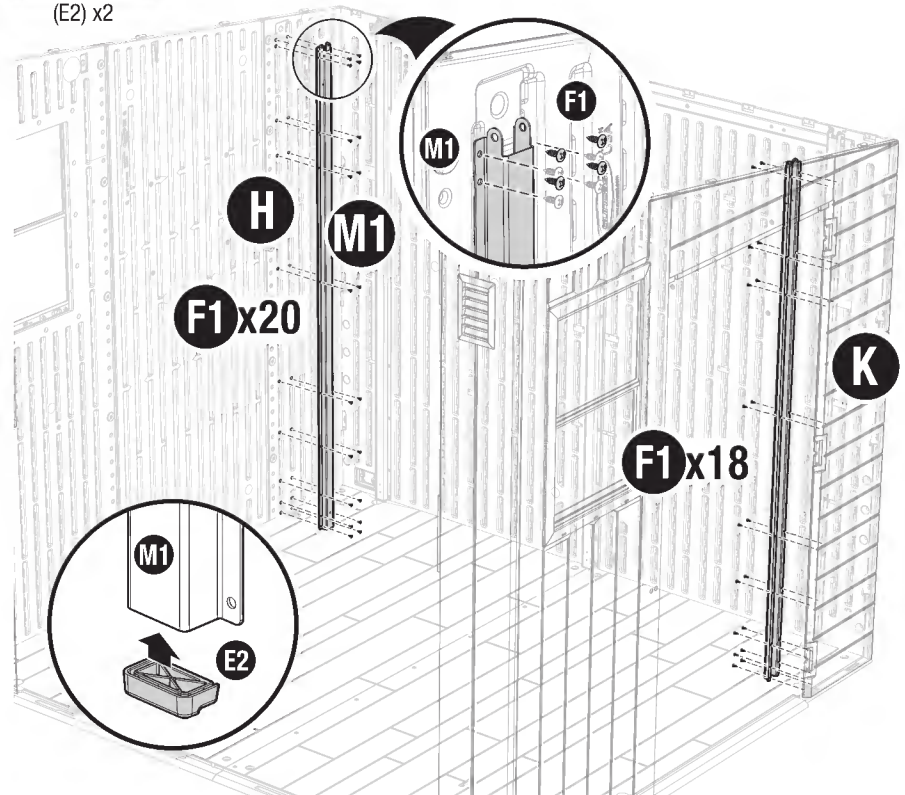
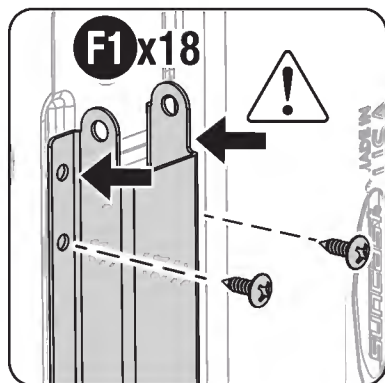
(E2) x2

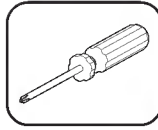
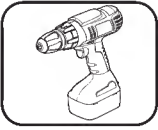
Attach 1 adapter cap (E2) each to the bottom end of 2 side adapters (74.75", M1).

Using 20 screws (F1), secure 1 side adapter to the the left back side (H).

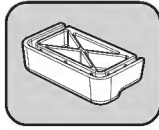
Using 18 screws (F1), secure remaining side adapter (M1) to the right back side (K).

IMPORTANT: Not all screw holes are used.



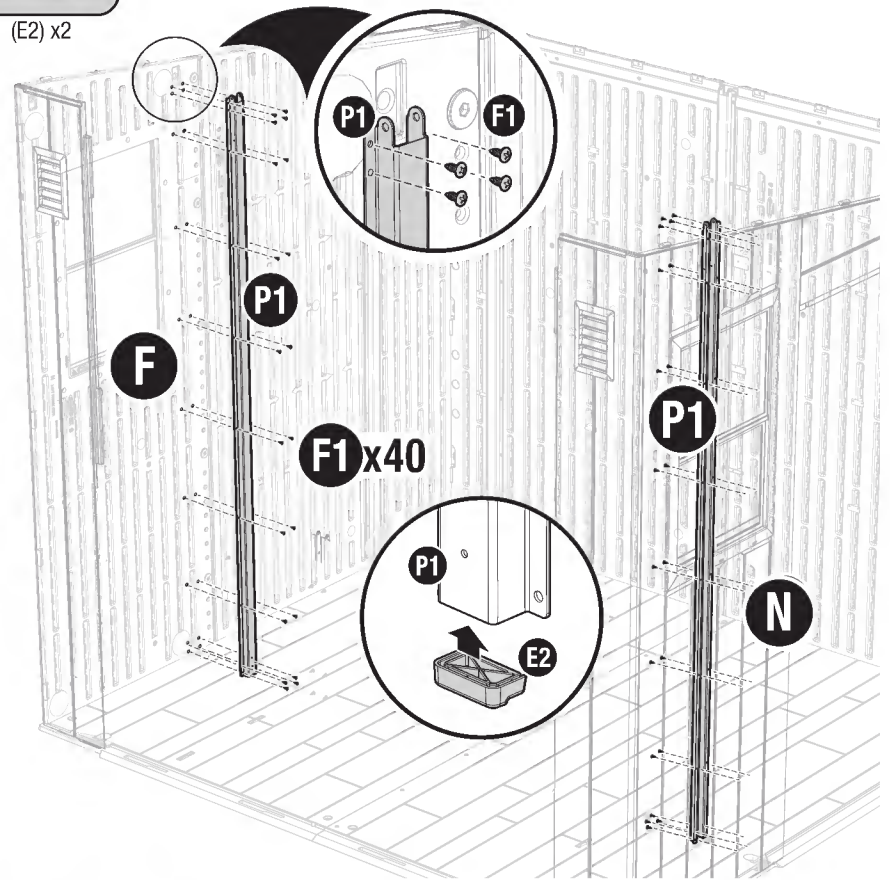
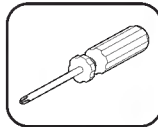
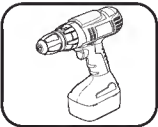
44

(F1) x40

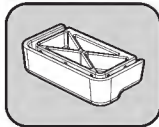


(E2) x2

Attach 1 adapter cap (**E2**) each to the bottom end of 2 side adapters (**79.93"**,**P1**). Using 20 screws (**F1**) each, secure side adapters (**P1**) to left and right front sides (**F,N**) where indicated.

**45**

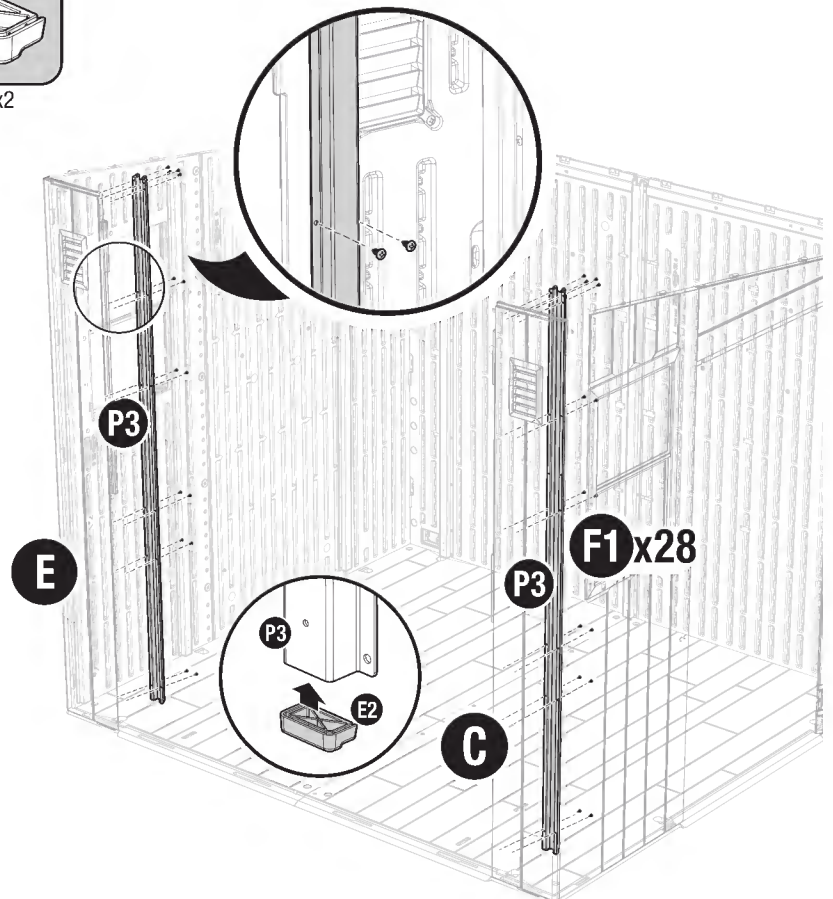
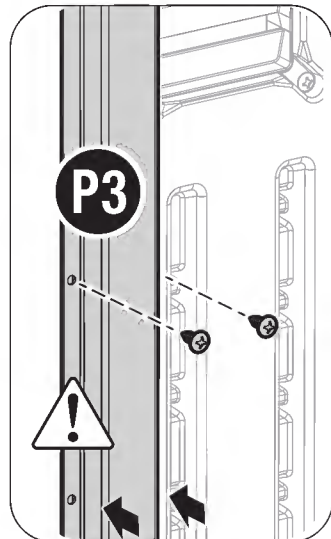
(F1) x28



(E2) x2

Attach 1 adapter cap (**E2**) each to the bottom end of 2 side adapters (**85.65"**,**P3**). Using 14 screws (**F1**) each, secure the side adapters to the left and right front (**E,C**) where indicated.

IMPORTANT: Not all screw holes are used.

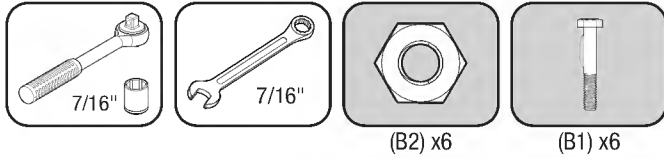


Assembly - Ridge Beam Configurations

Required Hardware/ Steel Kits

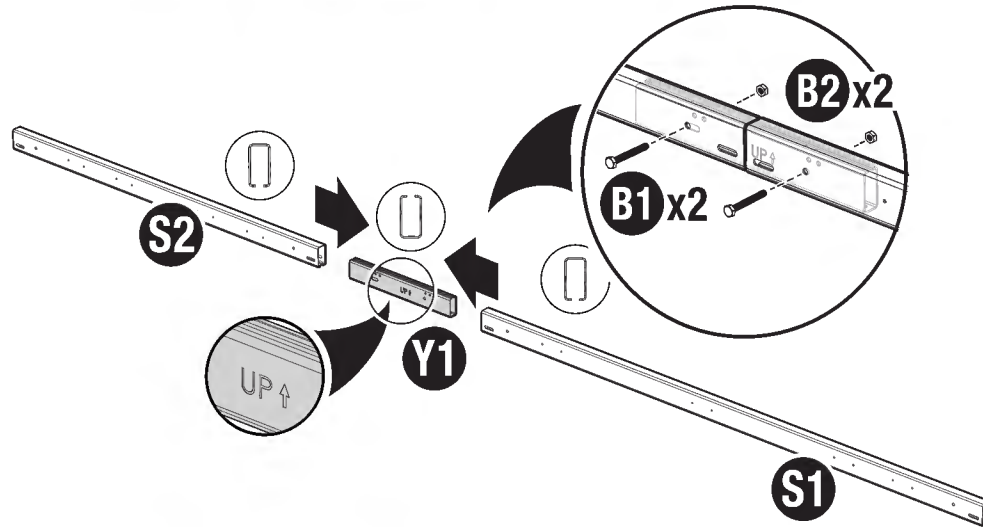


46

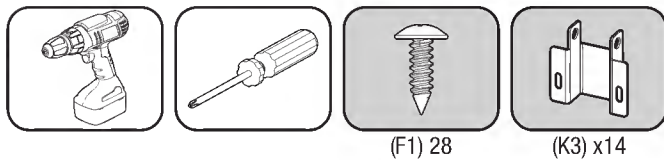


Slide 1 short ridge beam (39", S2) onto the end of a joister (12", Y1). Slide 1 long ridge beam (55.14", S1) onto remaining end. Secure ridge beams to joister using 2 bolts (B1) and nuts (B2) each. Tighten securely.

Repeat to complete a total of 3 ridge beam assemblies.

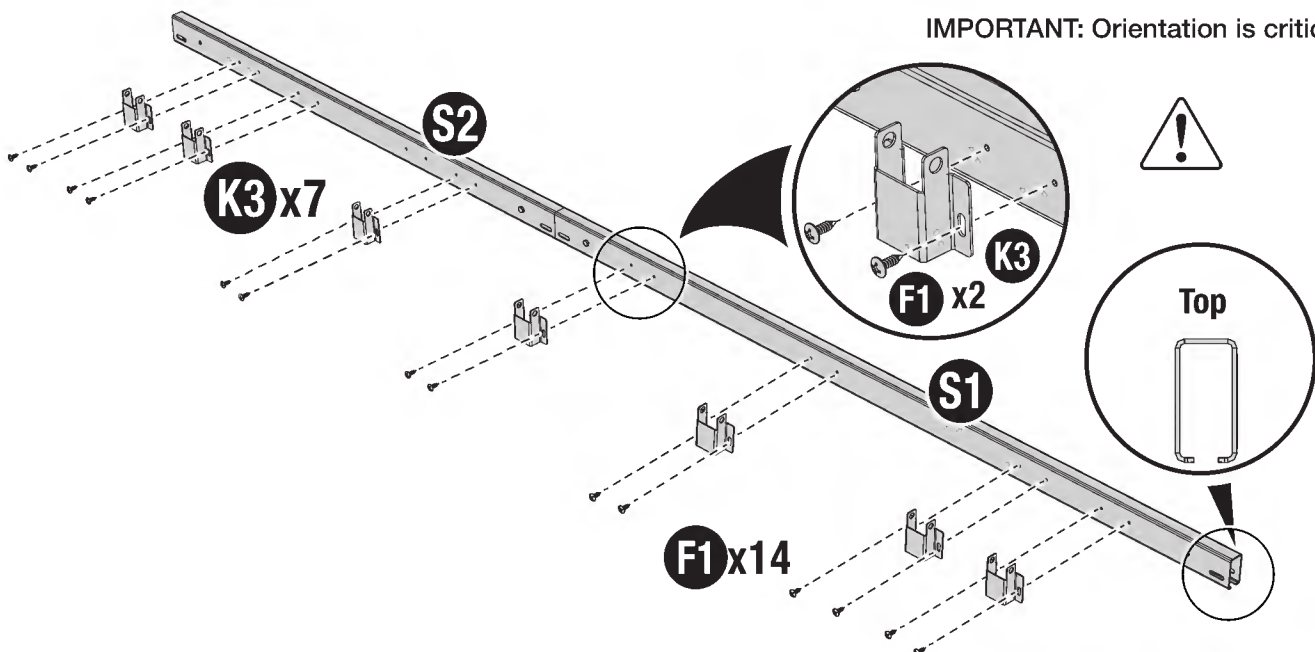


47



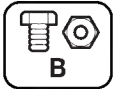
Using 2 screws each (F1), secure 7 support brackets (K3) to 1 ridge beam assembly.

Repeat for 1 additional ridge beam assembly. **The third assembly will not have any brackets, and will be used in the following step.**

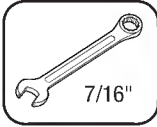
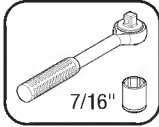


Assembly - Rear & Mid Ridge Beams

Required Hardware/ Steel Kits

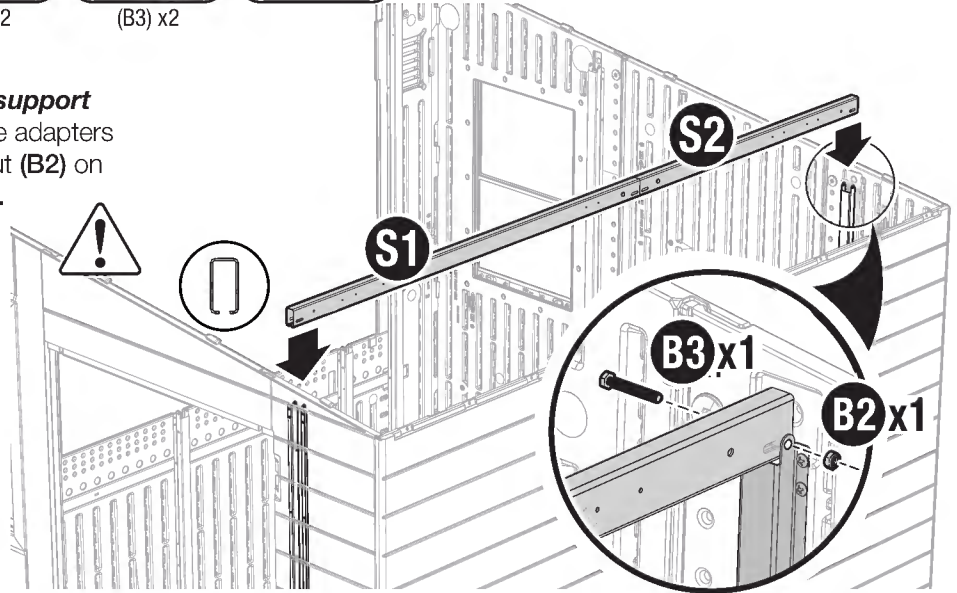


48

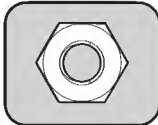
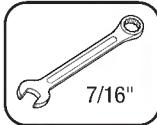
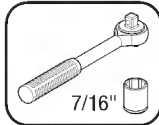


IMPORTANT: Orientation is critical.

Position 1 ridge beam **without support brackets** across the right and left rear side adapters as shown. Secure using 1 bolt (B3) and nut (B2) on each end. **Leave bolts loose at this time.**

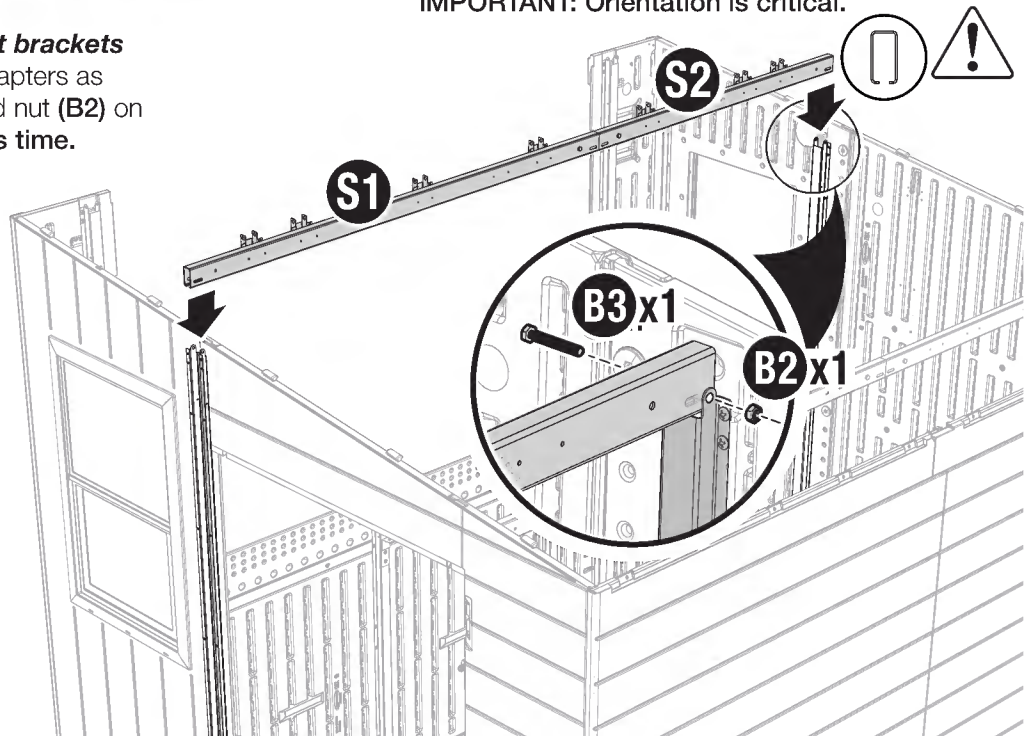


49



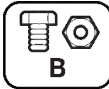
IMPORTANT: Orientation is critical.

Position 1 ridge beam **with support brackets** across the right and left mid side adapters as shown. Secure using 1 bolt (B3) and nut (B2) on each end. **Leave bolts loose at this time.**

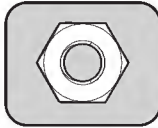
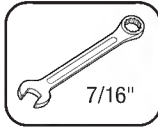
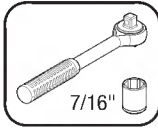


Assembly - Roof Trusses

Required Hardware/ Steel Kits



50

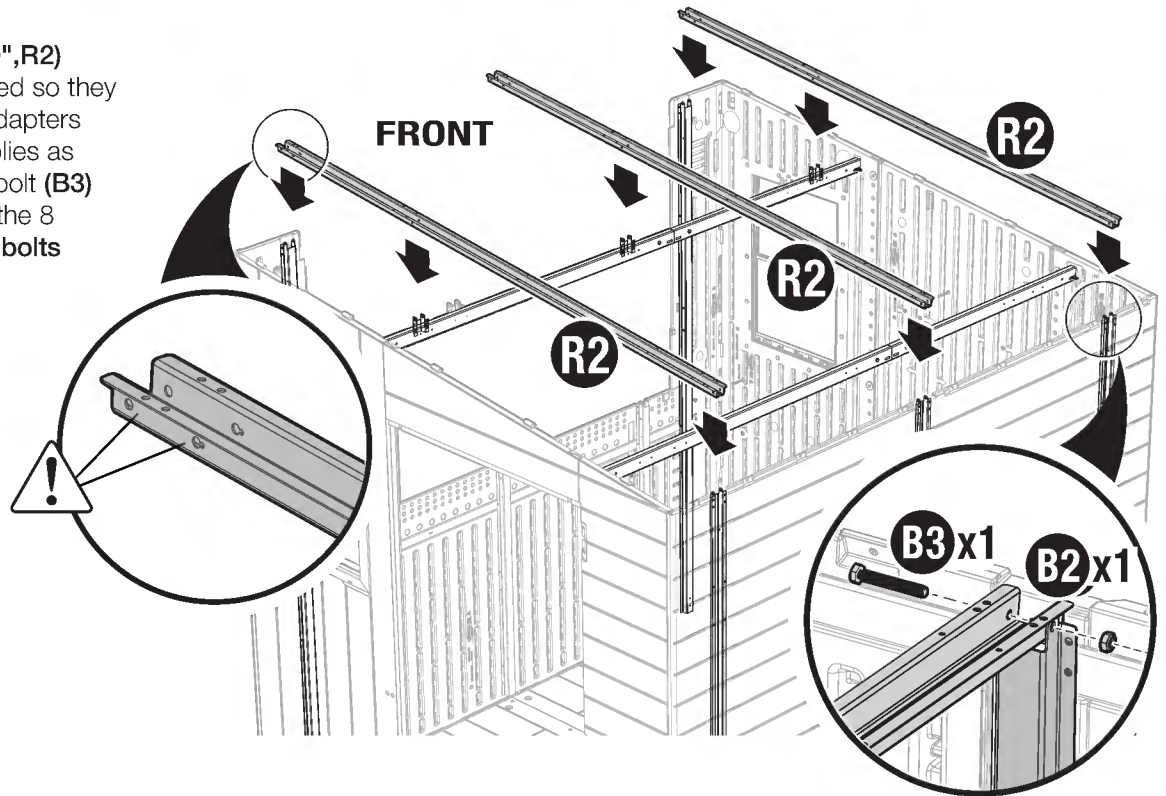


(B2) x8

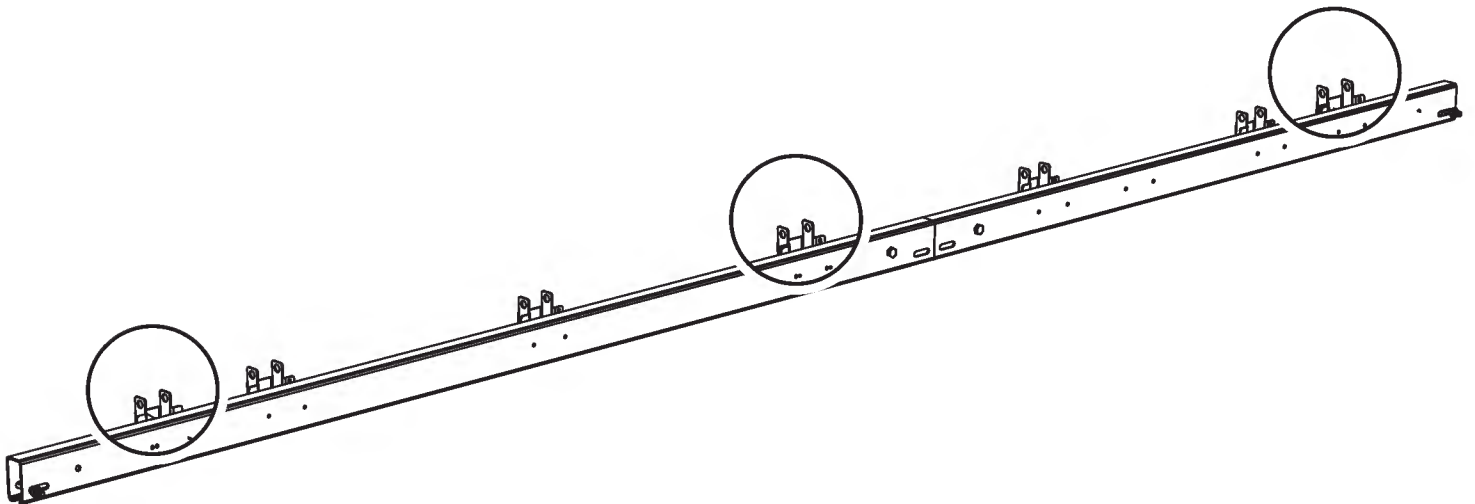
(B3) x8

IMPORTANT: Orientation is critical. Truss legs (R2) should be positioned with the ends having 2 holes facing the front of the shed.

Align 3 truss legs (82.90", R2) across the top of the shed so they interlock with the side adapters and ridge beam assemblies as shown. Secure using 1 bolt (B3) and nut (B2) at each of the 8 joining locations. **Leave bolts loose at this time.**

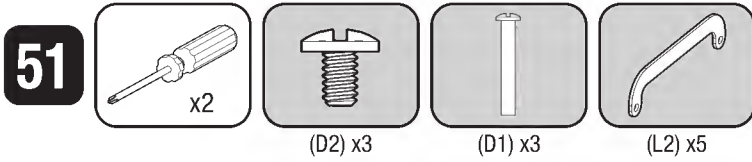


TIP: Truss legs (R2), will interlock with ridge beam assemblies in the locations indicated below.



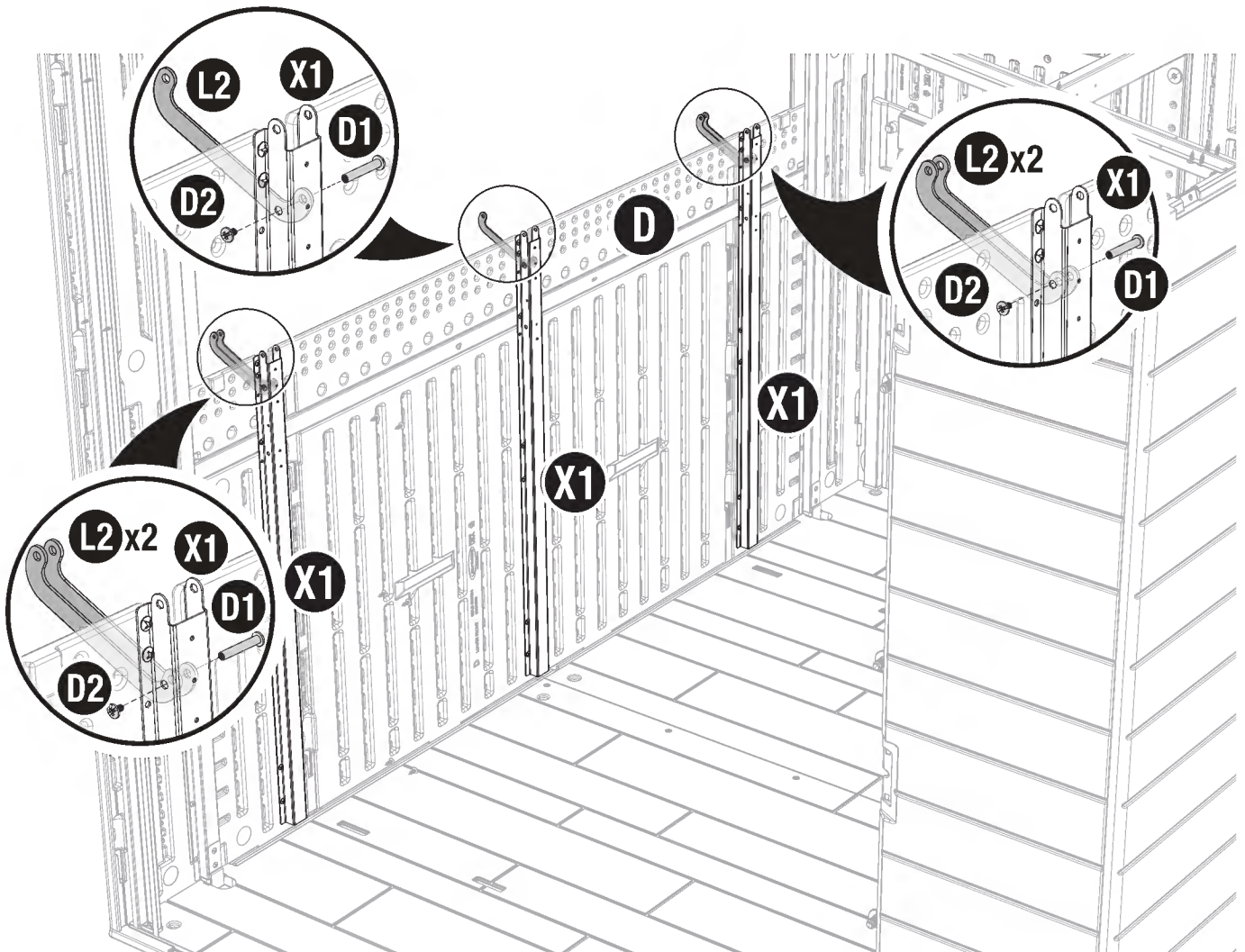
Assembly - Bar Top

Required Hardware/ Steel Kits

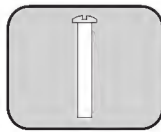
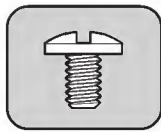
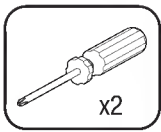


Identify the 3 side adapters (X1) previously installed on the lower front (D). Working from left to right, position 2 curved brackets (L2 x2) in the middle of the left side adapter (X1) as shown. Using 1 barrel nut (D1) and screw (D2) secure the brackets (L2) to the side adapter (X1) where indicated. Repeat to install 2 additional brackets (L2 x2) on the opposite end, and 1 bracket (L2) on the middle.

IMPORTANT: Only one curved bracket (L2) is installed on the middle adapter (X1).



52

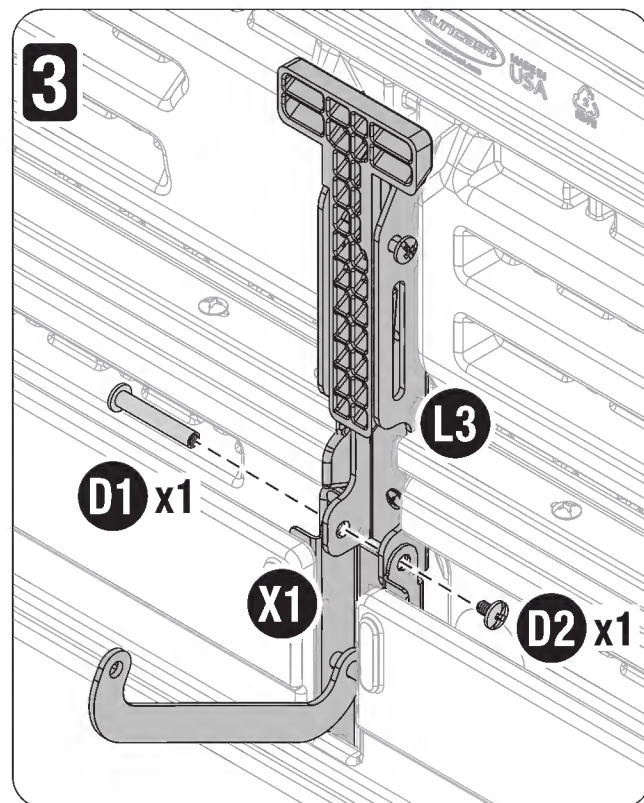
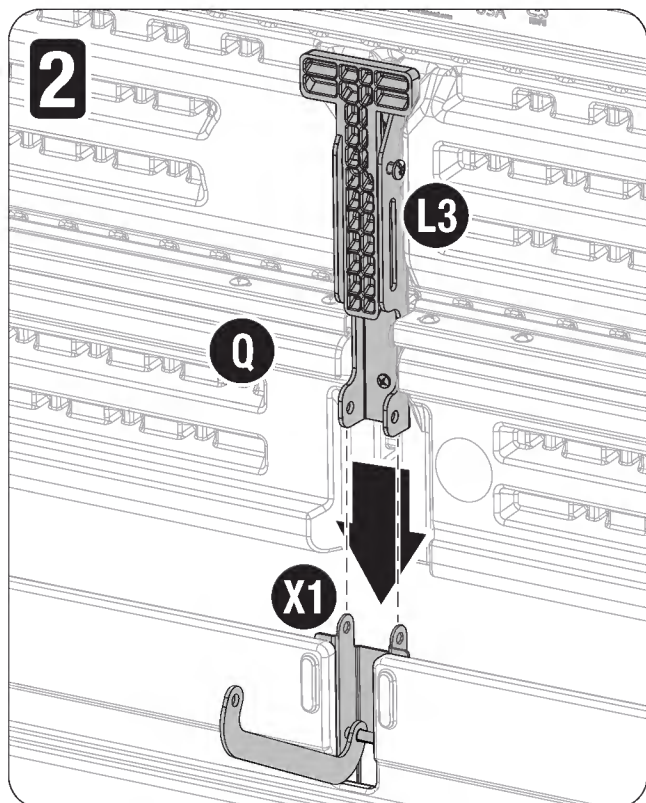
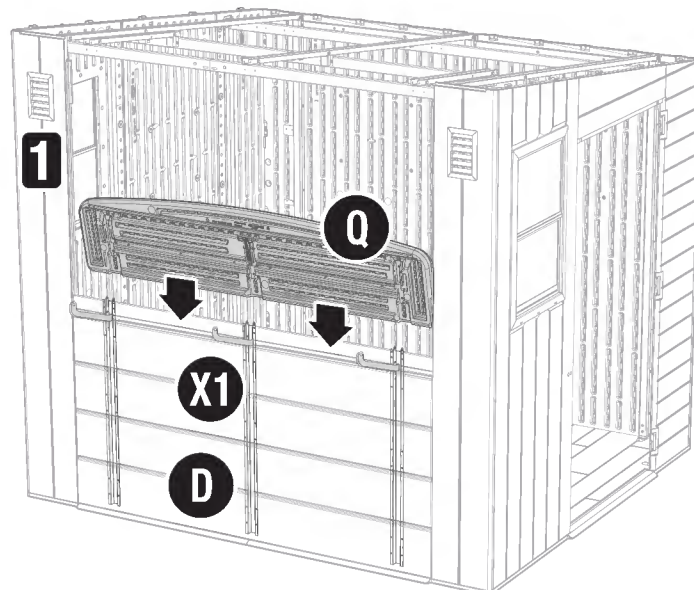


1) With the help of another person, position the bar top (Q) above the lower front panel (D).

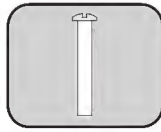
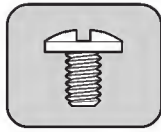
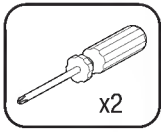
2) **Starting with the center**, lower the bar top (Q) to interlock the slotted bar support (L3) with the corresponding side adapter (X1).

3) Using 1 barrel nut (D1) and screw (D2), secure the bar support (L3) to the side adapter (X1). Tighten securely.

Repeat steps 2 & 3 to secure the left and right sides.



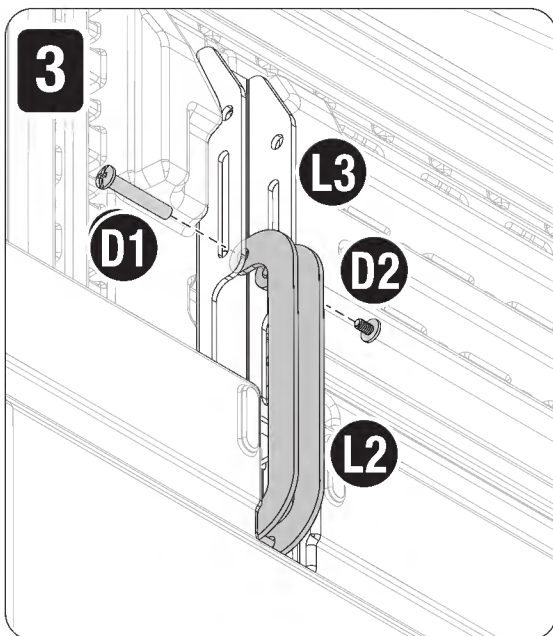
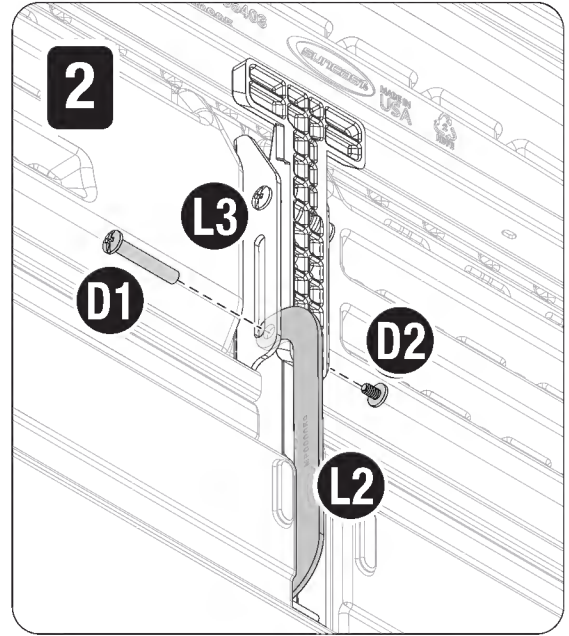
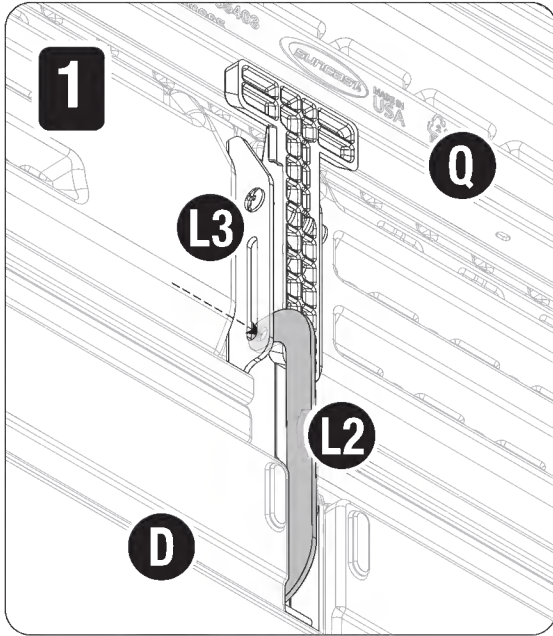
53



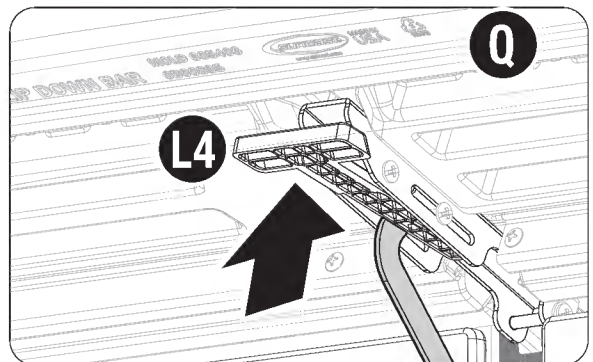
(D2) x3

(D1) x3

- 1) **Starting with the center of the bar top (Q)**, position the curved bracket (L2) between the slotted bracket (L3) and bar latch (L4) as shown.
- 2) Working from left to right, insert 1 barrel nut (D1) through the slotted bracket (L3), curved bracket (L2) and **behind** the bar latch (L4) and secure with 1 screw (D2).
- 3) **On the left side of bar top (Q)** insert 1 barrel nut (D1) through the slotted bracket (L3) and both curved brackets (L2 x2). Secure with 1 screw (D2). Repeat for the right side.



IMPORTANT: Confirm correct assembly by raising and lowering the bar top (Q). When raising the bar top, depress bar latch (L4) first to unlock.



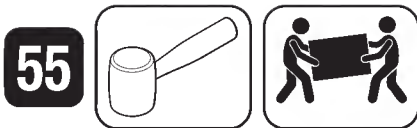
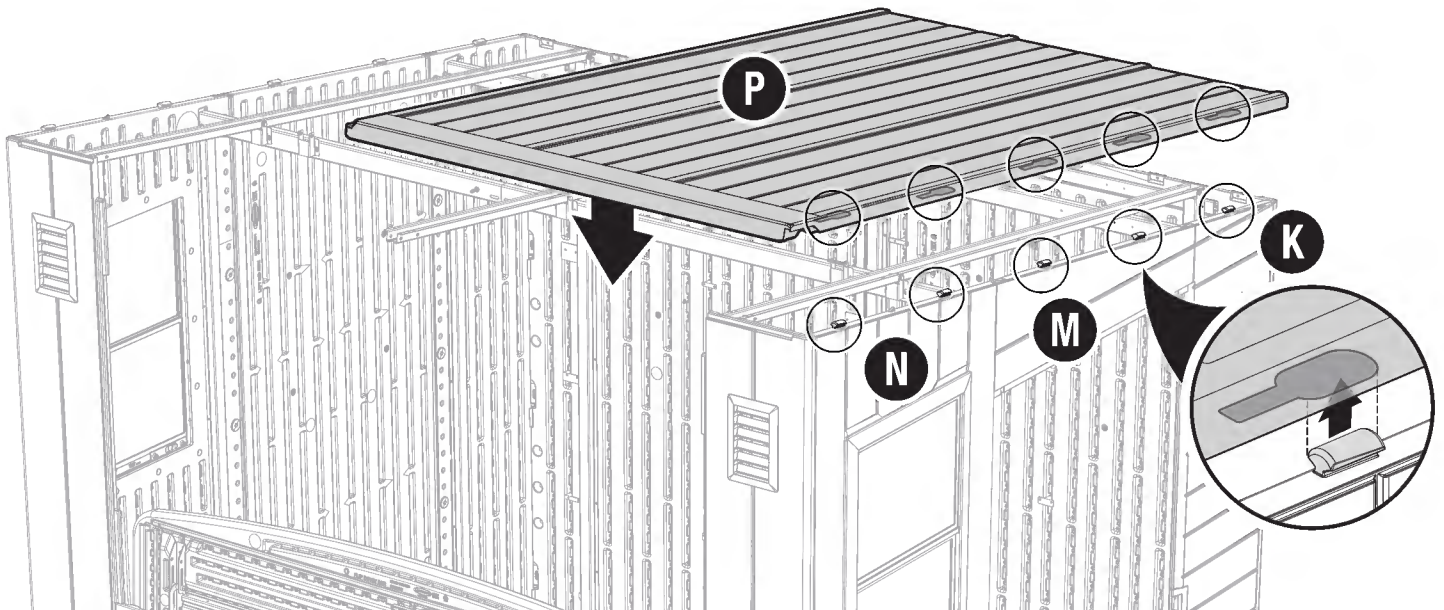
Assembly - Roof

Required Hardware/ Steel Kits



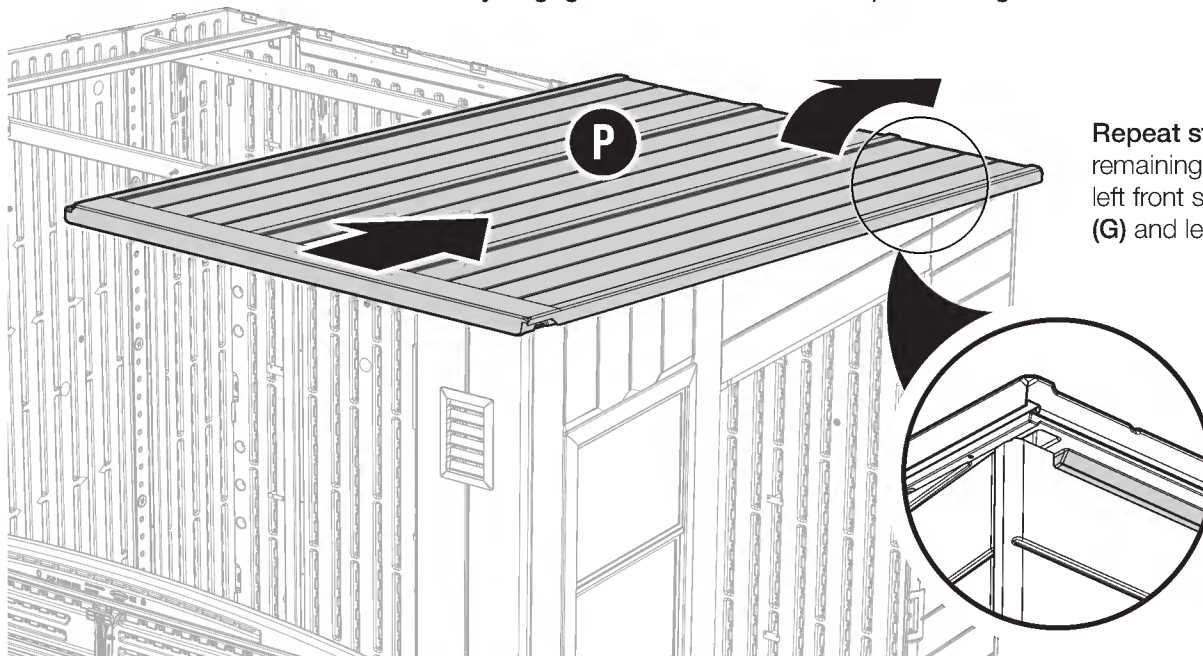
Identify the 5 slots on the underside of 1 roof panel (**P**). Lay roof panel over the right side of the shed so the 5 tabs on the right side panels (**N,M,K**) are aligned with the slots on roof (**P**) as shown.

NOTE: The wide band of the roof panel faces the front of the shed.



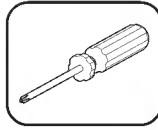
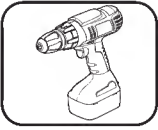
Once roof panel (**P**) is in position, **from the outside of the shed** hold the roof panel in place while a second person slides the roof towards the back of the shed until the roof is fully engaged.

IMPORTANT: The roof is fully locked into position when the ridge of the roof sits over the top of the back panel. Check the slot locations on the roof to ensure they have fully engaged with the tabs before proceeding.



Repeat steps 54-55 to install the remaining roof panel (**P**) over the left front side (**F**), left middle side (**G**) and left back side (**H**).

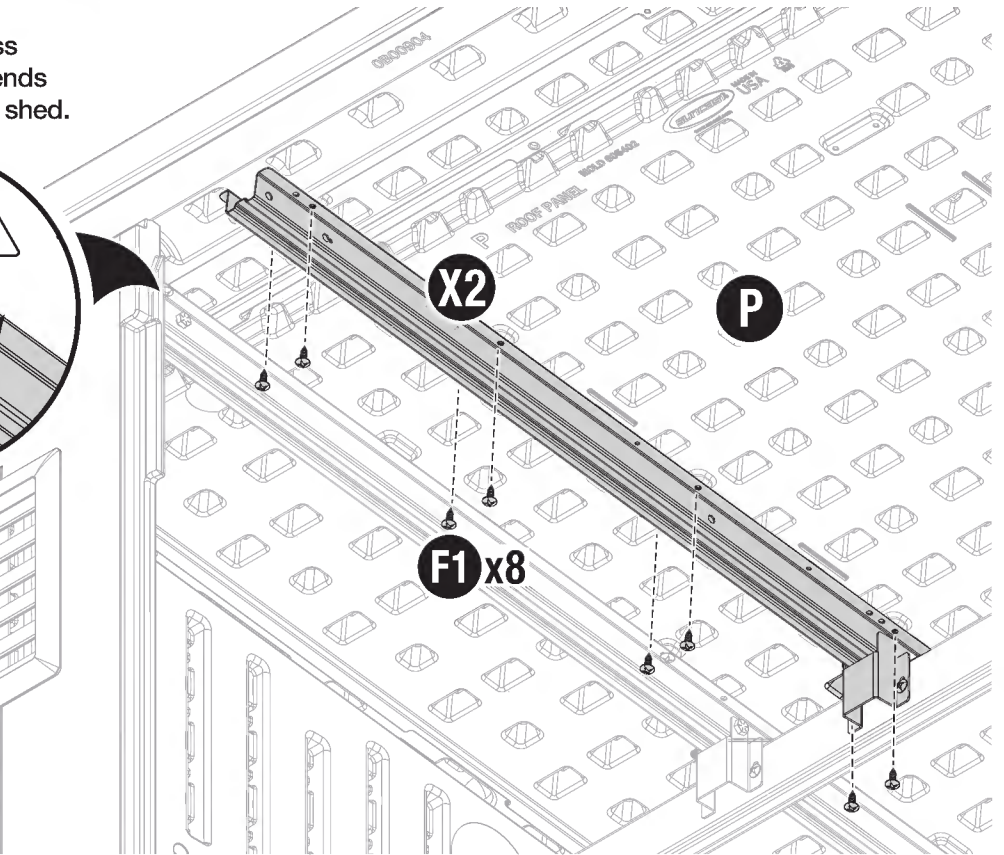
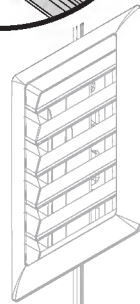
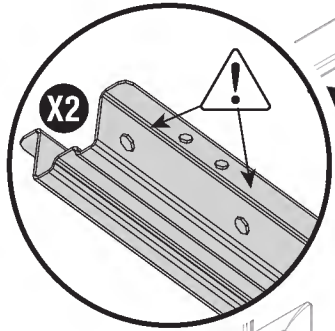
56



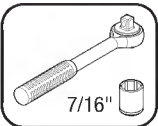
(F1) x16

Starting with the left side of the roof (P), align 1 truss leg (26.63", X2) across the mid ridge beam assembly and interlock with the support bracket (K3). Using 8 screws (F1), secure the truss leg (X2) where indicated. Repeat for remaining truss leg (X2) on the right side of the roof (P).

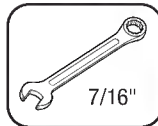
IMPORTANT: Orientation is critical. Truss leg (X2) should be positioned with the ends having two holes facing the front of the shed.



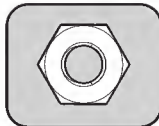
57



7/16"



7/16"



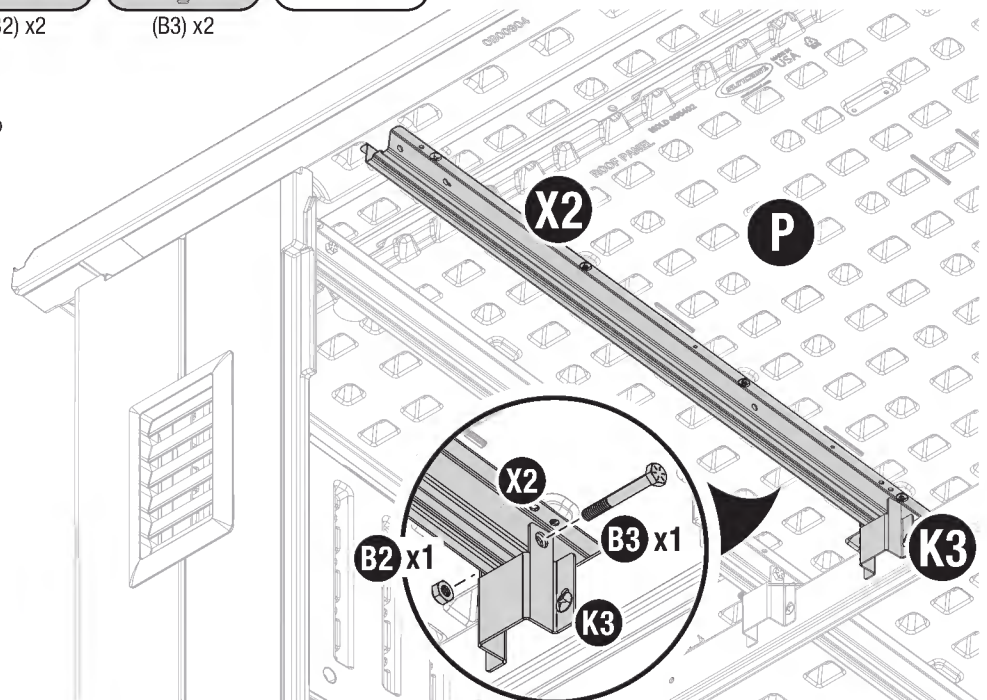
(B2) x2



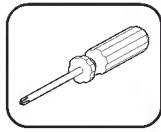
(B3) x2



Secure the far end of 1 truss leg (X2) to the support bracket (K3) using 1 bolt (B3) and nut (B2) each. Repeat for the remaining truss leg (X2).



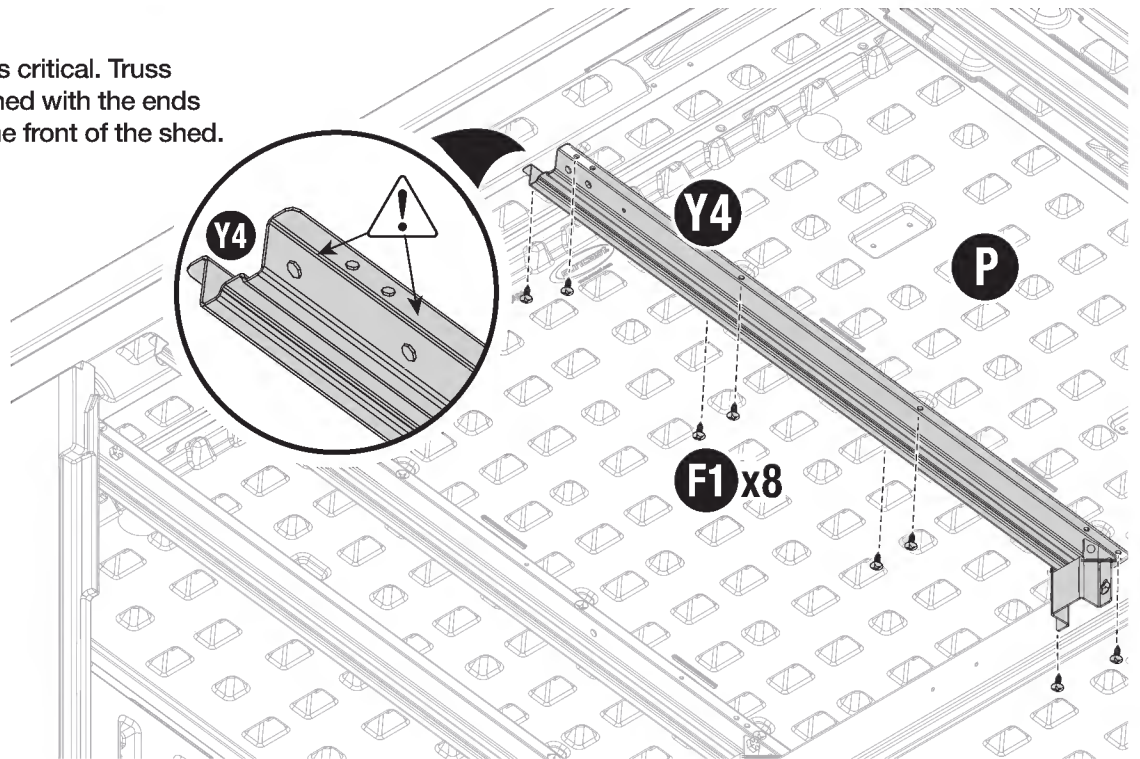
58



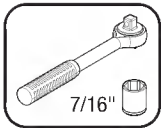
(F1) x16

Starting with the left side of the roof (P), align 1 truss leg (26", Y4) across the mid ridge beam assembly and interlock with the support bracket (K3) Using 8 screws (F1), secure 1 truss leg (Y4) where indicated. Repeat for remaining truss leg (Y4) on the right side of the roof (P).

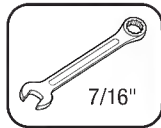
IMPORTANT: Orientation is critical. Truss leg (Y4) should be positioned with the ends having two holes facing the front of the shed.



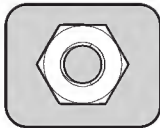
59



7/16"



7/16"



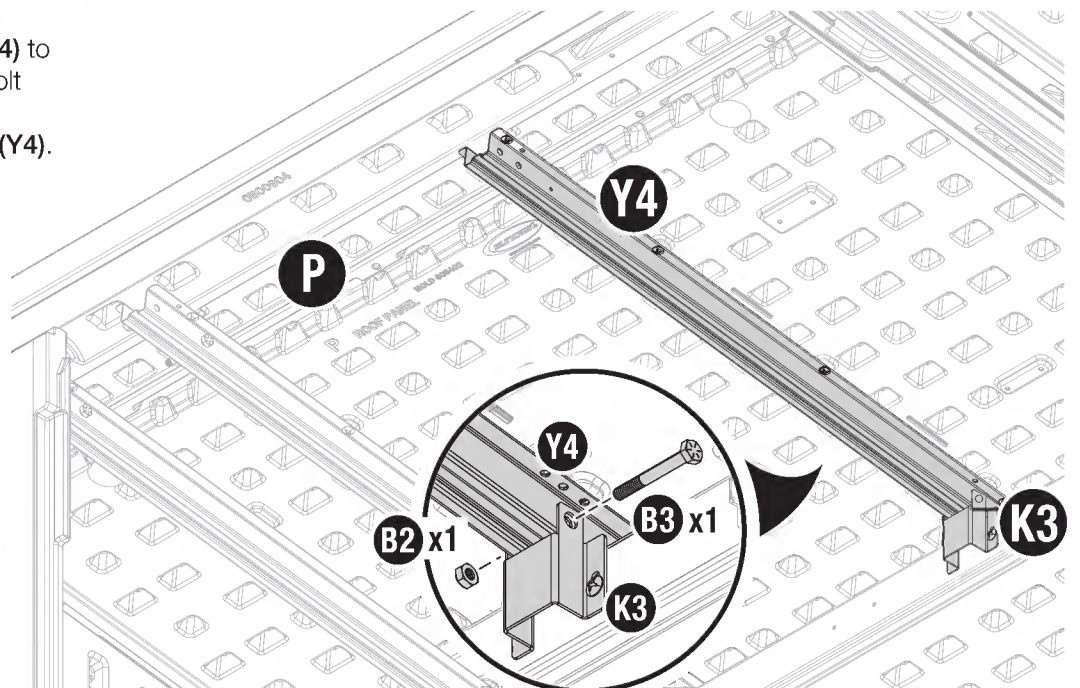
(B2) x2



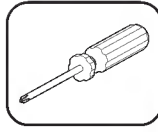
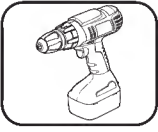
(B3) x2



Secure the far end of 1 truss leg (Y4) to the support bracket (K3) using 1 bolt (B3) and nut (B2) each. Repeat for the remaining truss leg (Y4).

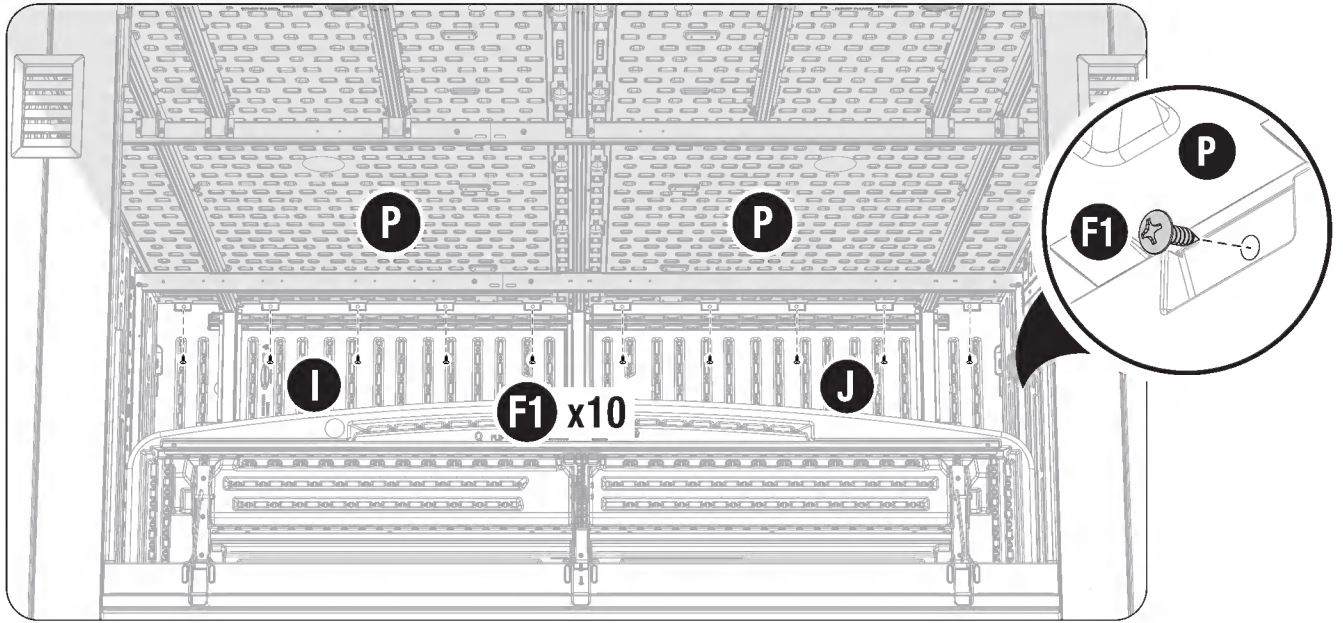


60

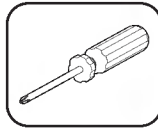
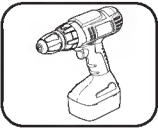


(F1) x10

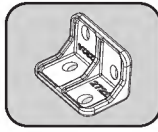
Using 10 screws (F1), secure roof panels (P) to back panels, as shown.



61

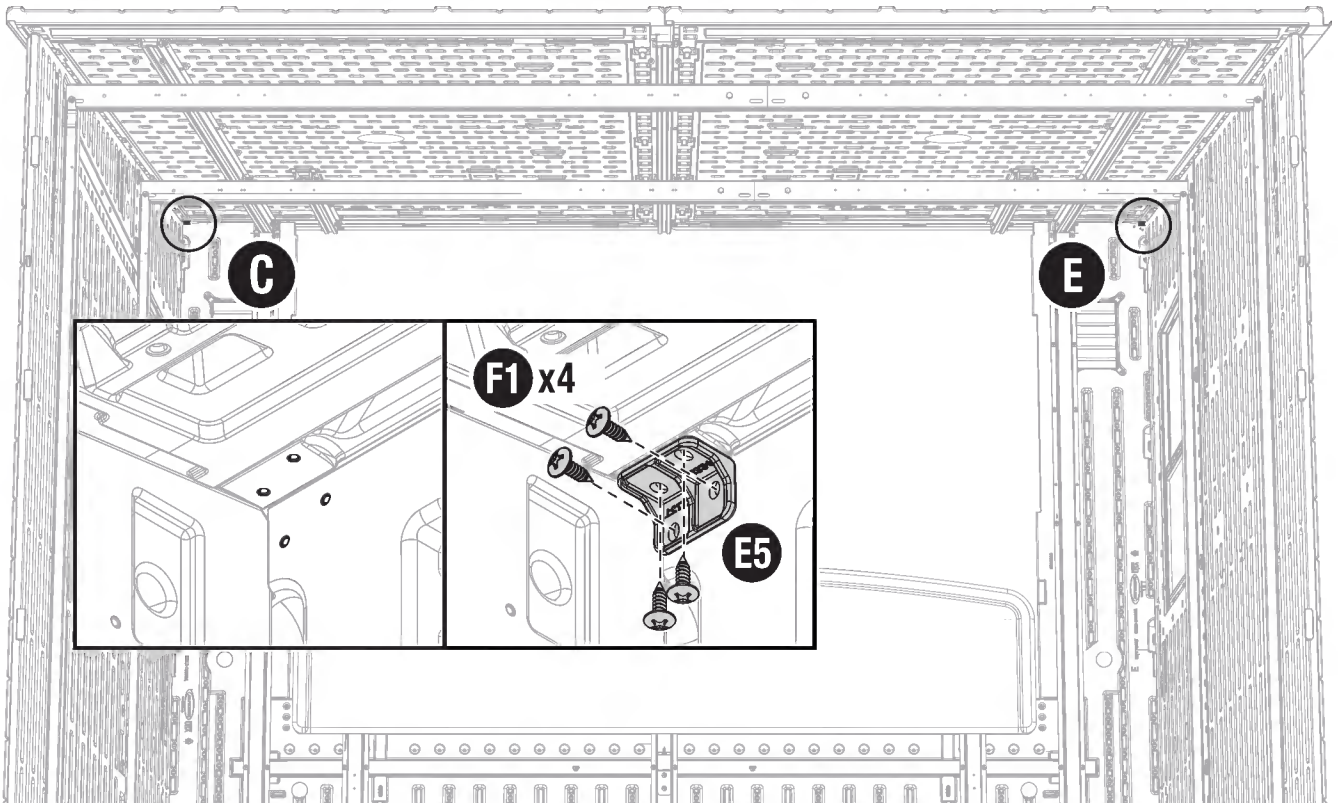


(F1) x8

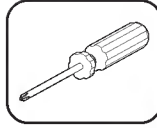


(E5) x2

Using 4 screws (F1) each, secure 2 roof brackets (E5) as shown.

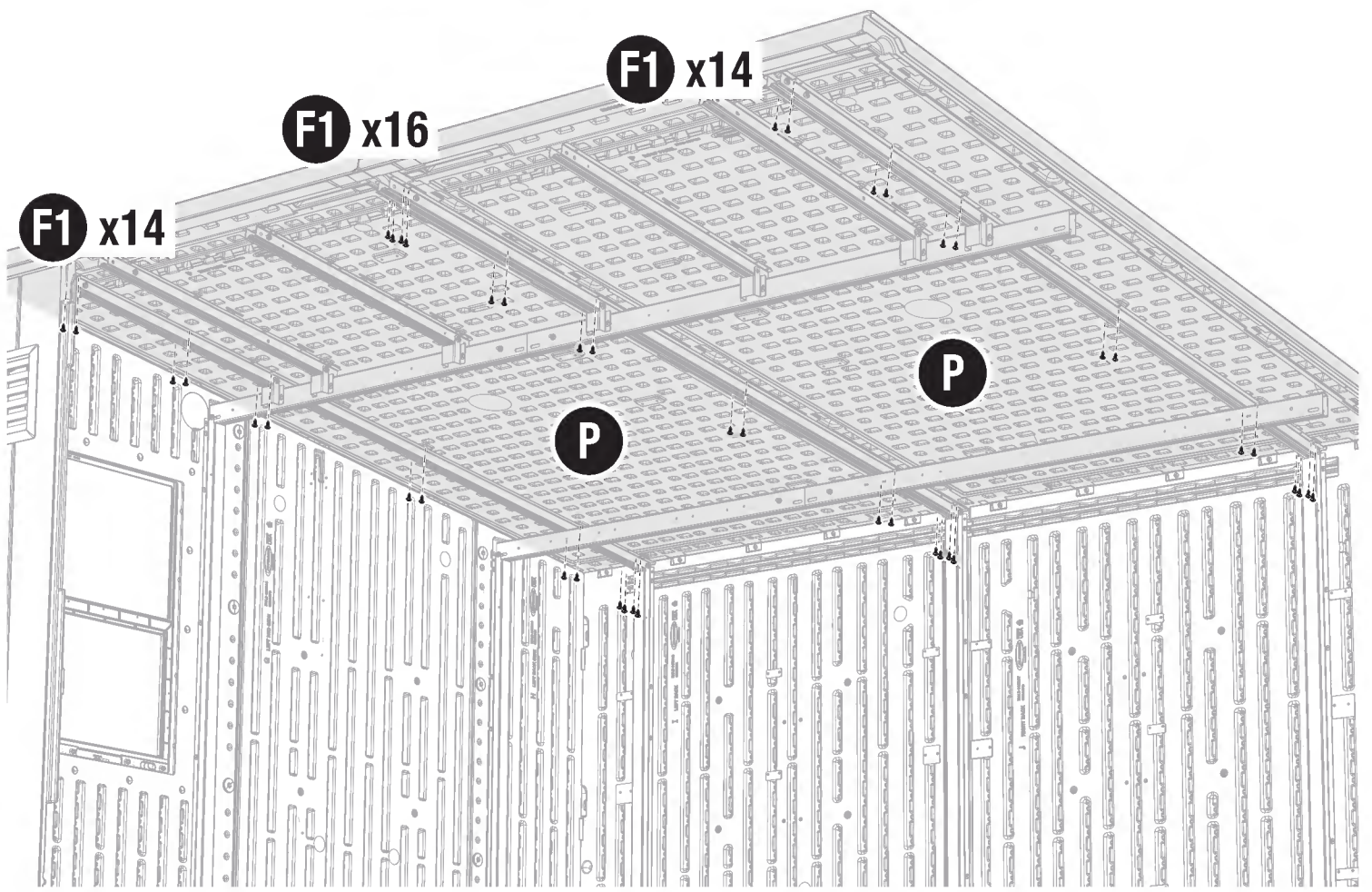


62



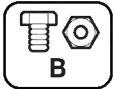
(F1) x44

Using 44 screws (F1) total, secure truss legs to roof (P) where indicated.

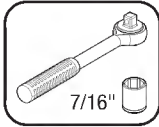


Assembly - Front Ridge Beam

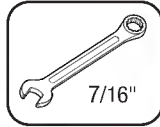
Required Hardware/ Steel Kits



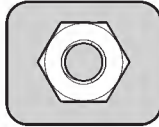
63



7/16"



7/16"



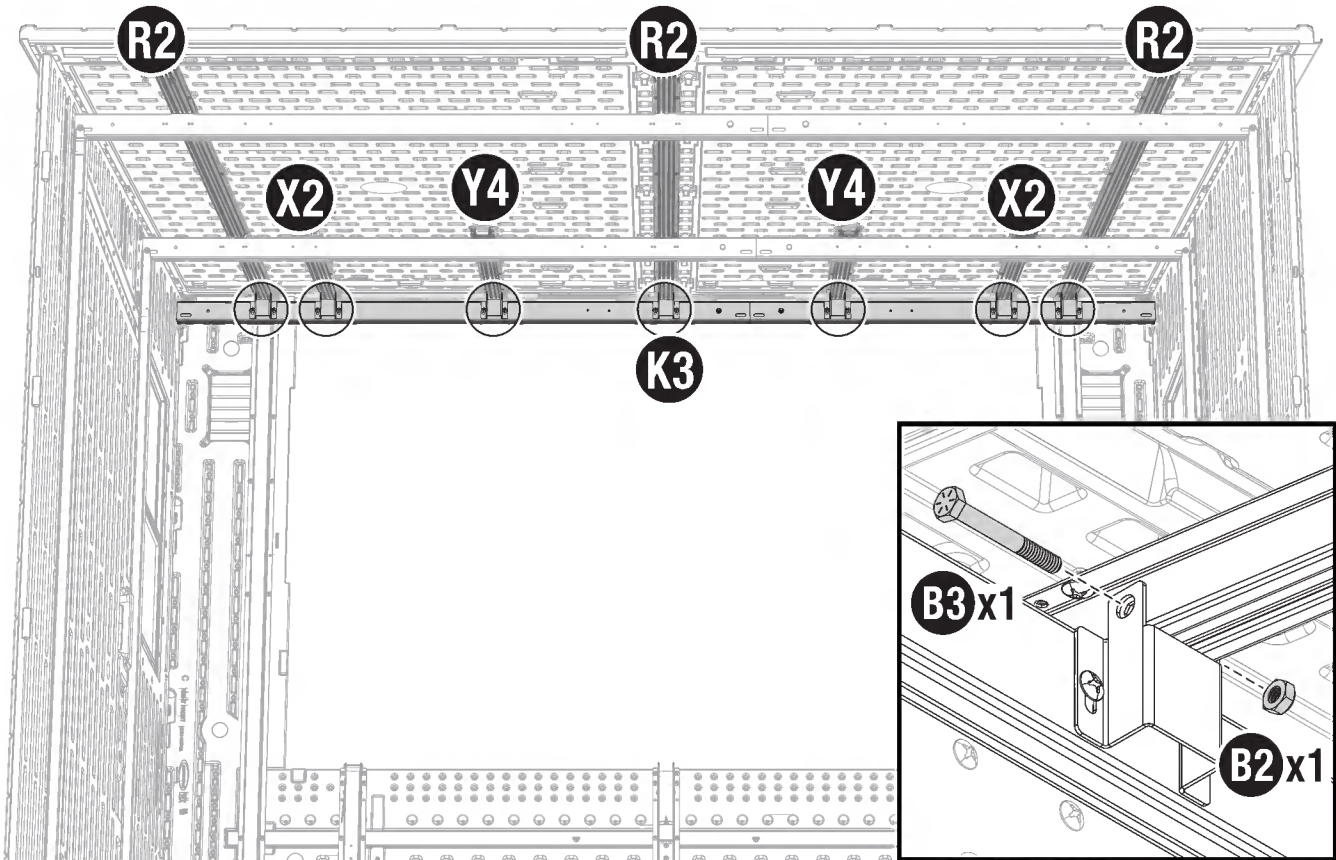
(B2) x7



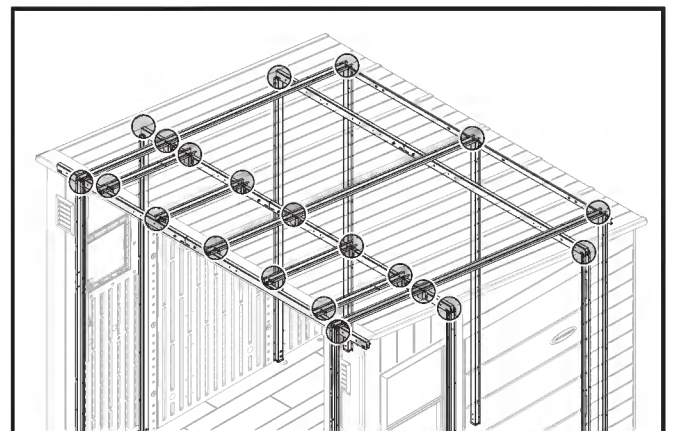
(B3) x7



Position front ridge beam assembly as shown and interlock the 7 support brackets (K3) with the truss legs (R2,X2,Y4). Secure each support bracket (K3) with 1 bolt (B3) and nut (B2) each at the locations indicated.



Tighten the bolts and nuts (B3,B2) at all ridge beam, truss leg and side adapter connections (21 total).

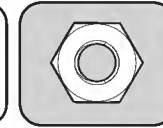
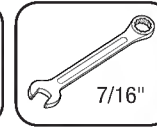
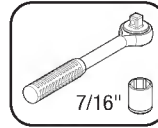
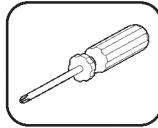
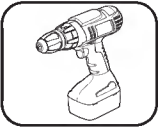


Assembly - Front Ridge Beam Side Adapters

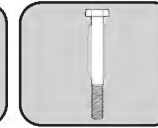
Required Hardware/ Steel Kits



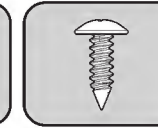
64



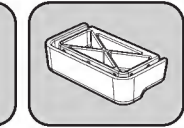
(B2) x2



(B3) x2

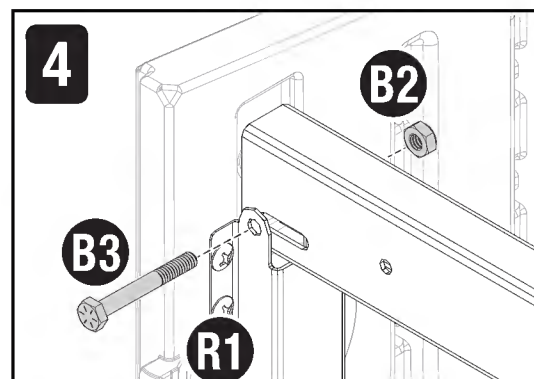
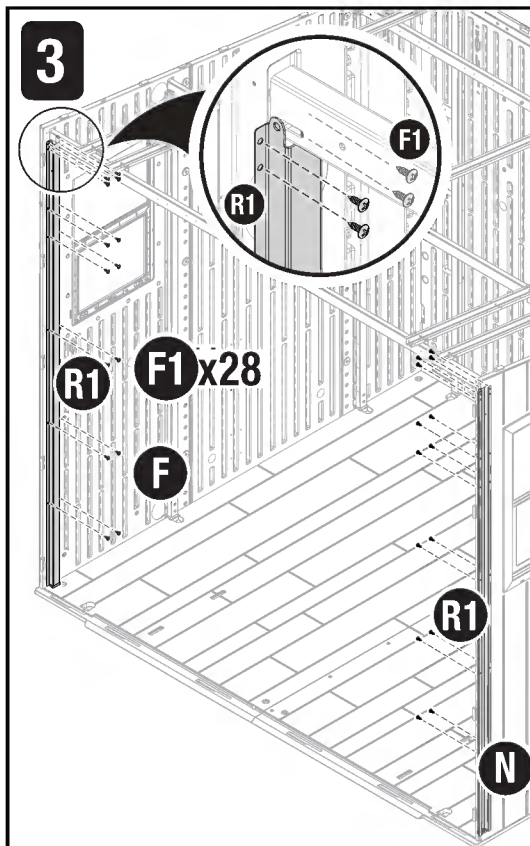
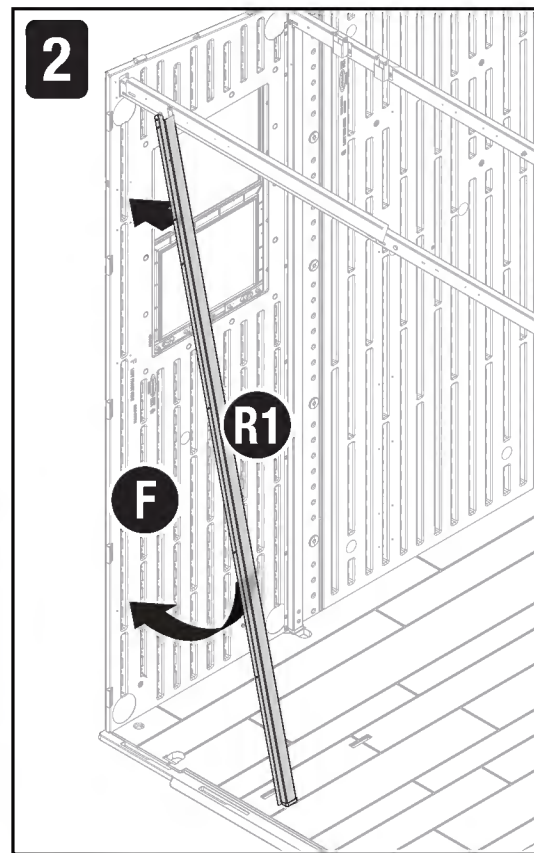
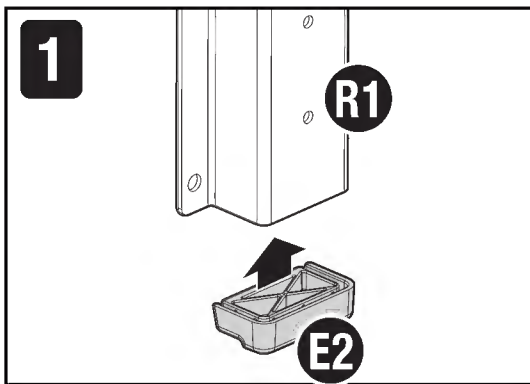


(F1) x28



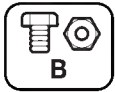
(E2) x2

- 1) Attach 1 adapter cap (**E2**) each to the end of 2 side adapters (**82.50"**,**R1**).
- 2) Position 1 side adapter (**R1**) at a slight angle with the top end resting against left front side (**F**).
- 3) Slide side adapter (**R1**) into position and secure using 14 screws (**F1**) at the locations indicated.
Repeat steps 2-3 to install remaining side adapter (**R1**) on the right front side (**N**).
- 4) Using 1 bolt (**B3**) and nut (**B2**) each, secure each end of the front ridge beam assembly to the just assembled adapters (**R1**).

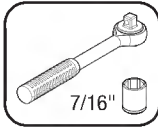


Assembly - Awning

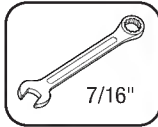
Required Hardware/ Steel Kits



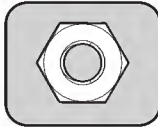
65



7/16"



7/16"

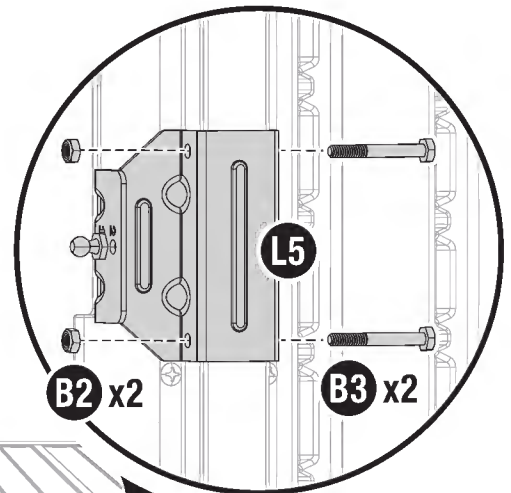
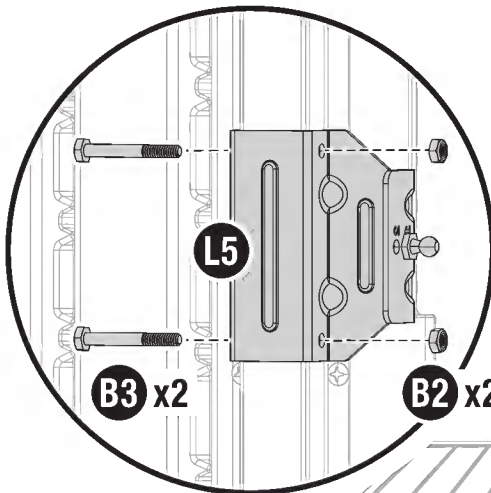


(B2) x4

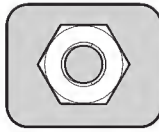
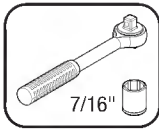


(B3) x4

Locate the previously installed side adapters (P3) on the left front (E) and right front (C). Using 2 bolts (B3) and nuts (B2) each, secure 1 Adapter Configuration, to each side adapter (P3) as shown.



66



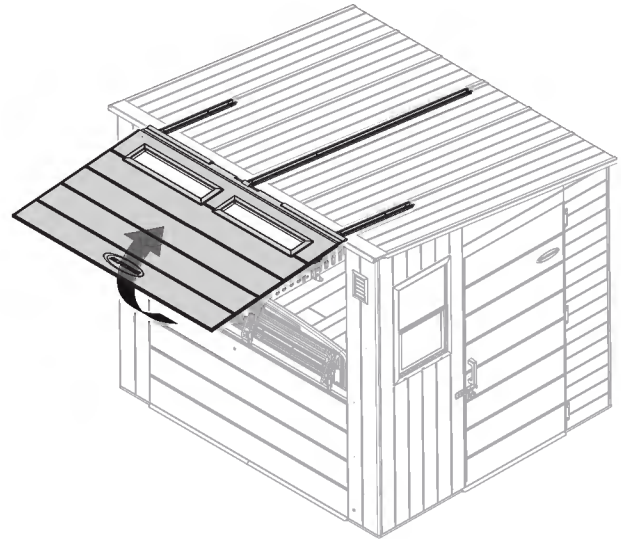
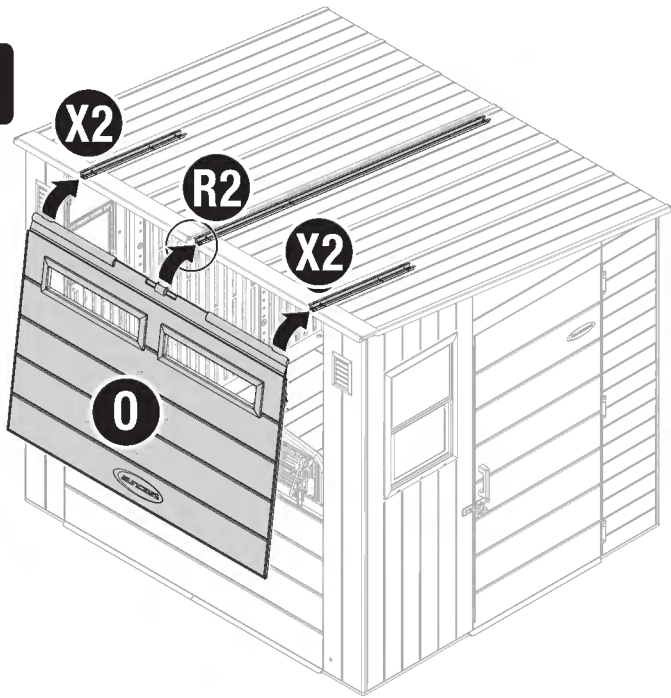
(B2) x3

(B3) x3

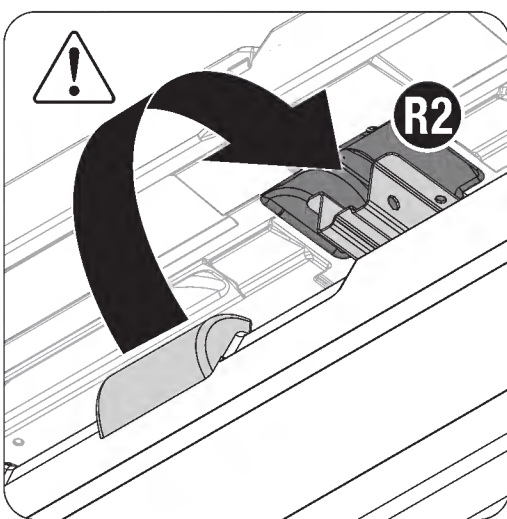
IMPORTANT: Orientation is critical. Refer to image details. Before proceeding, ensure both D-rings are in the locked position to avoid accidental damage to the side panels during assembly.

- 1) With the help of 2 people, align awning (O) as shown and then rotate awning (O) to the opened position.
 - 2) While 2 people are holding the awning (O) in the opened position, have a third person interlock the center side adapter (X1) of awning (O) with the center truss leg (R2) on the frame of the shed.
 - 3) Insert 1 bolt (B3) and nut (B2) through the interlocking metal (X1,R2). Tighten Securely.
- Repeat the process to secure the awning (O) to the 2 truss legs (X2) on the left and right roof of the shed.

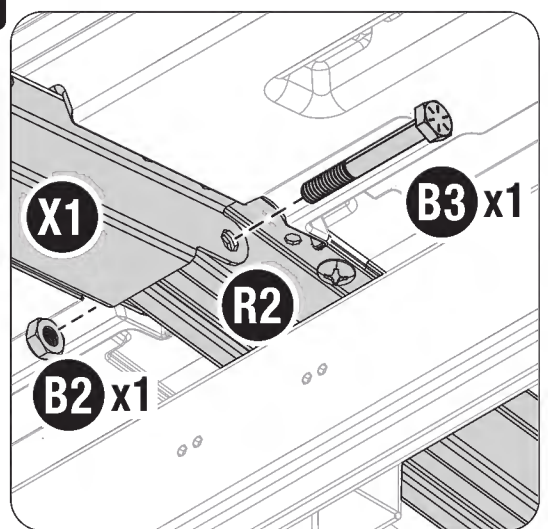
1



2



3



67



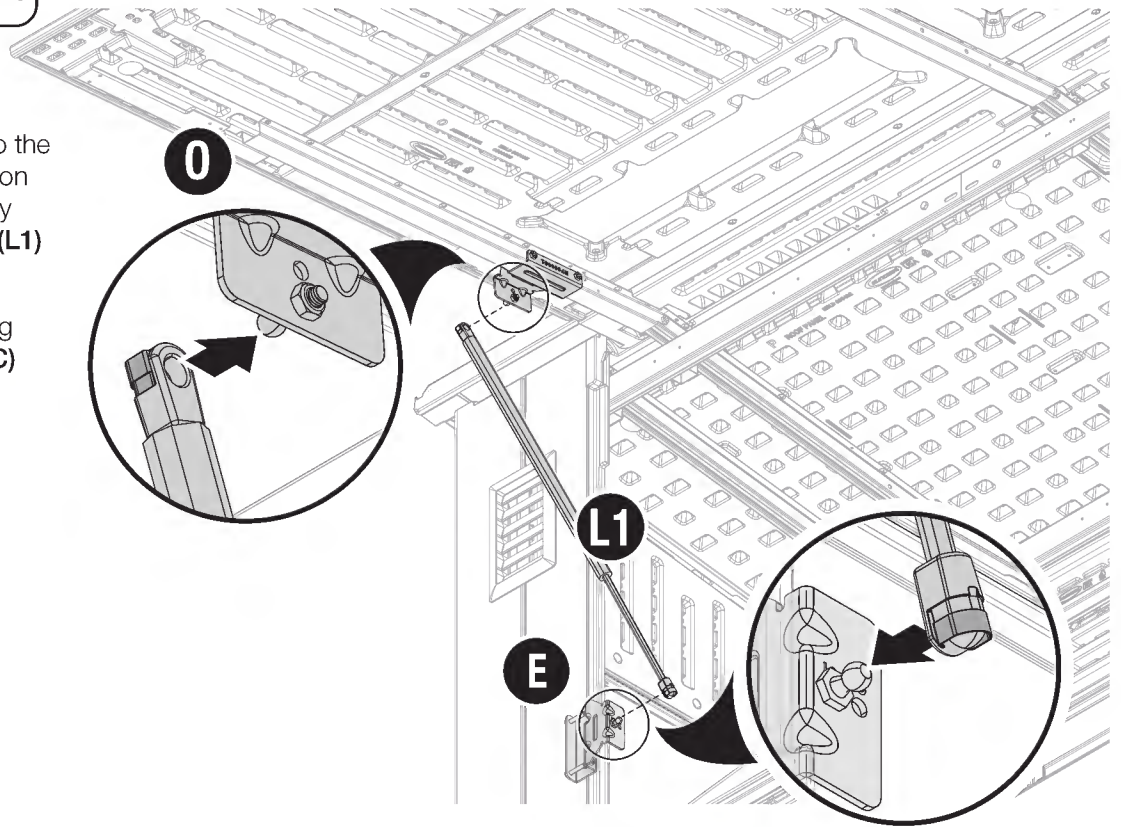
(L1) x2



TIP: It may be necessary to twist the end of the shock to align it for installation.

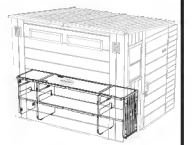
Attach 1 awning shock (L1) to the shock configurations located on left front (E) and awning (O) by pushing on the end of shock (L1) until it snaps into position.

Repeat with remaining awning shock (L1) to the right front (C) and awning (O).

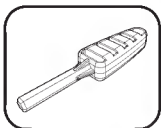


Assembly - Countertops & Shelves

Required Hardware/ Steel Kits



68

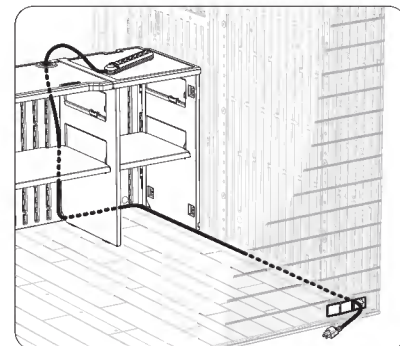
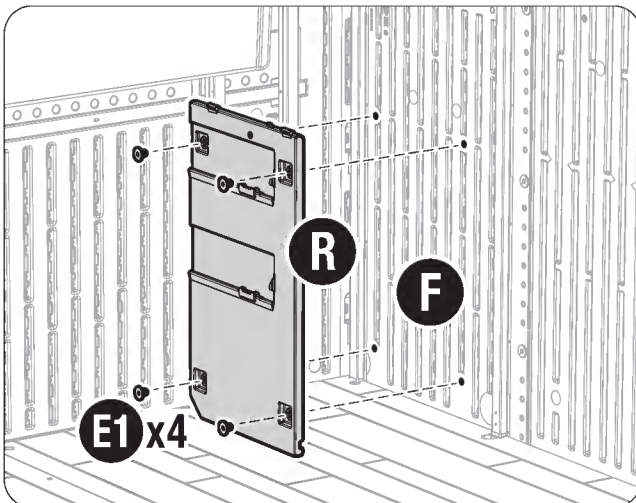


(E1) x8



Using 4 easy bolts (E1), secure right wall divider (R) to the left front side (F) as shown. Tighten securely (3-4 clicks).

Repeat to attach left wall divider (T) to the right front side (N).

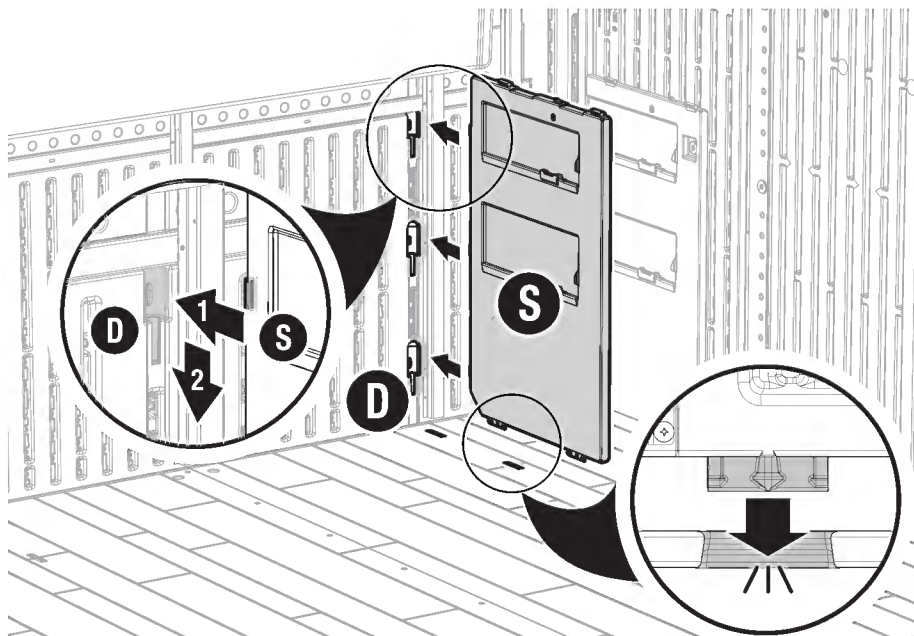
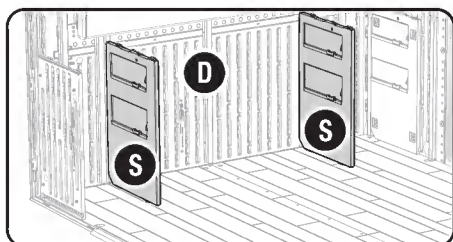


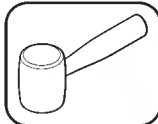
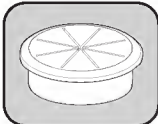

TIP: If you wish to route an electrical cord through the interior countertop, it must be started before the next step.

69 

Align side tabs of 1 center divider (**S**) with slots on lower front (**D**). Slide center divider (**S**) down to engage tabs. Press firmly until bottom tabs snap into floor.

Repeat to install the remaining center divider (**S**).

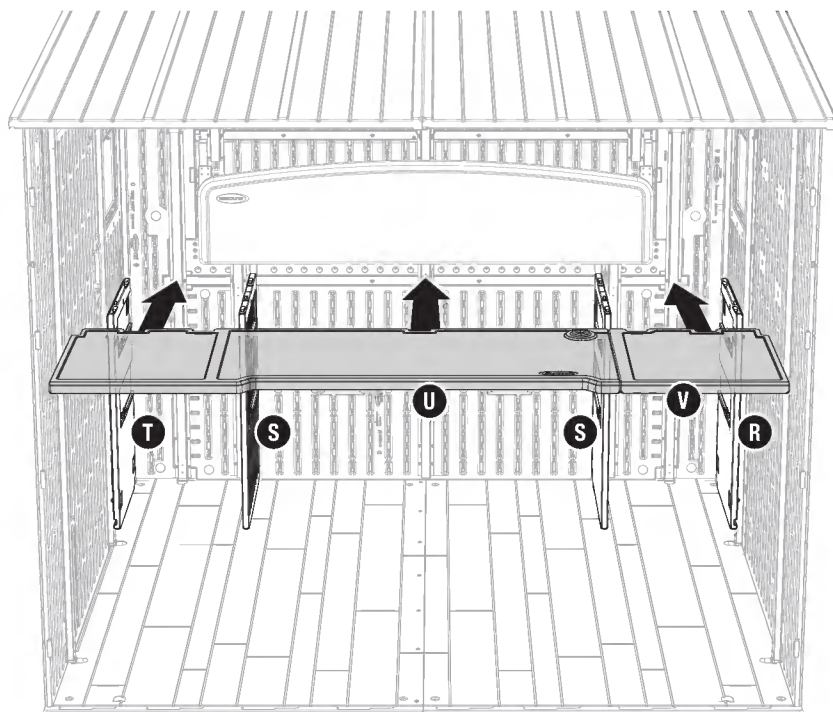


70   
(E4) x1

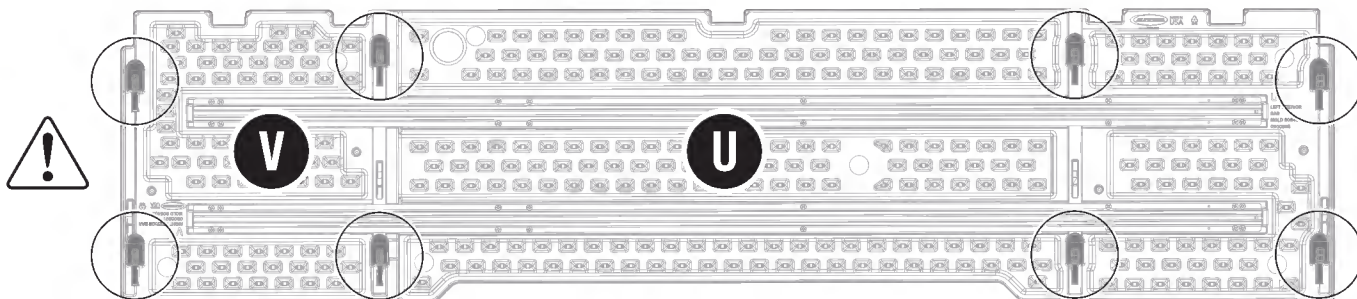
With the help of another person, align the 8 slots in the countertop (**U,V**) with tabs on left and right dividers (**R,T**) and center dividers (**S**). Slide countertop (**U,V**) forward to engage tabs.

Once secured, insert grommet (**E4**) into left countertop (**U**).

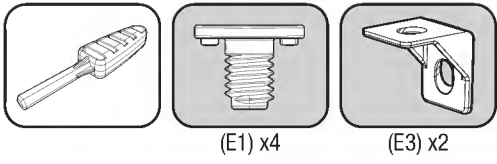
TIP: The front edge of the countertop will make contact with the lower front (D) once fully engaged.



IMPORTANT: All 8 slots must be aligned with divider tabs before sliding countertop into position.

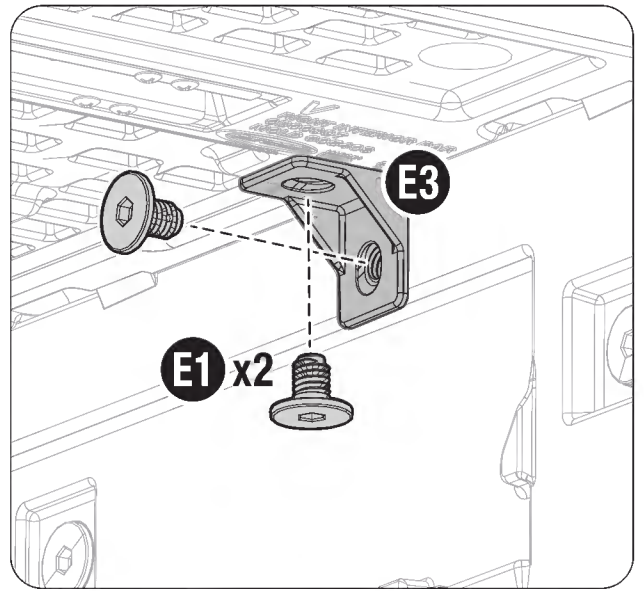
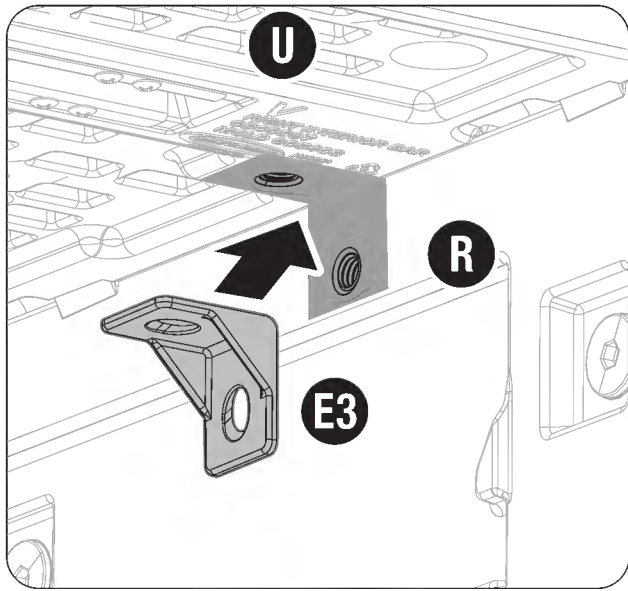


71

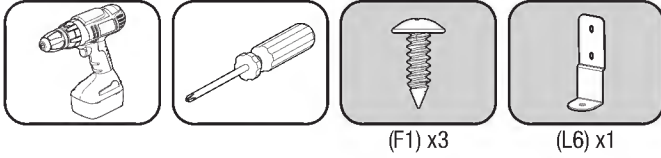


Position 1 roof retainer (E3) under interior countertop (U,V) and against the right wall divider (R) as shown. Attach with 2 easy bolts (E1). Tighten securely (3-4 clicks).

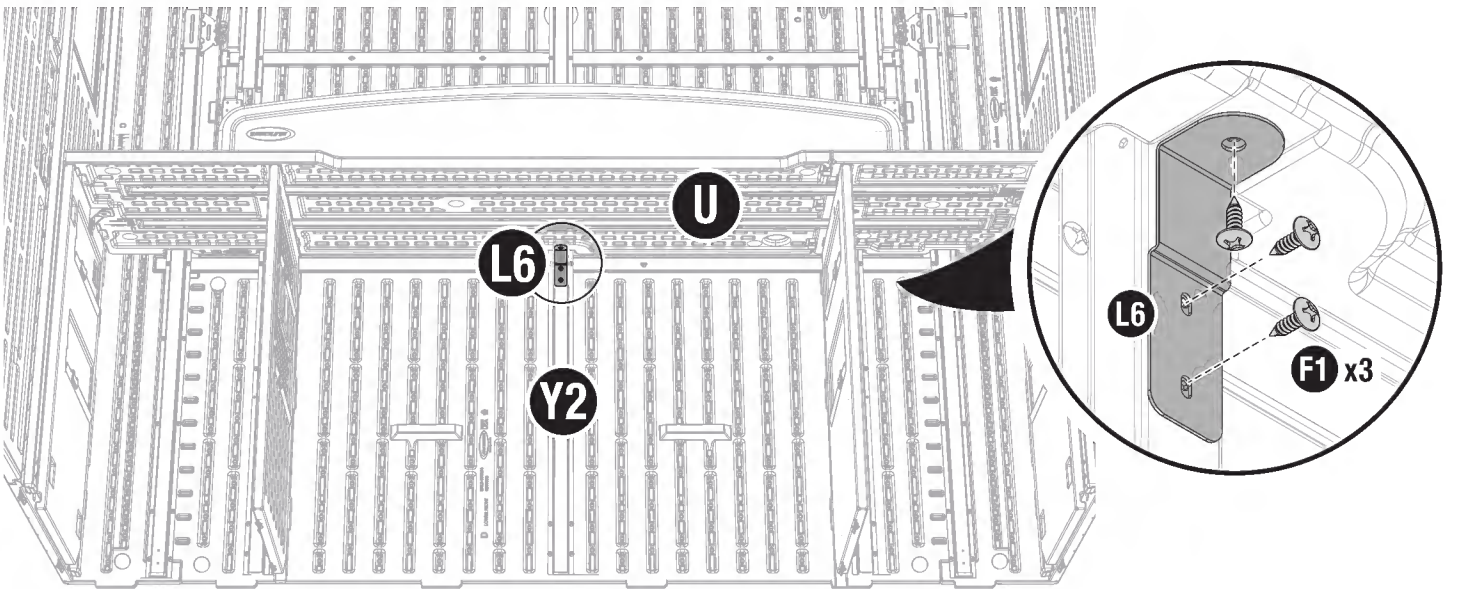
Repeat to secure the left wall divider (T).



72

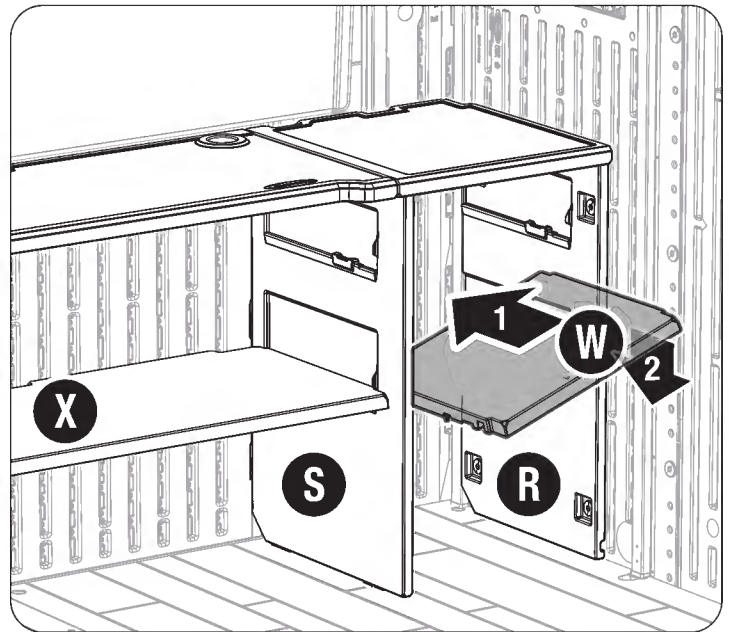
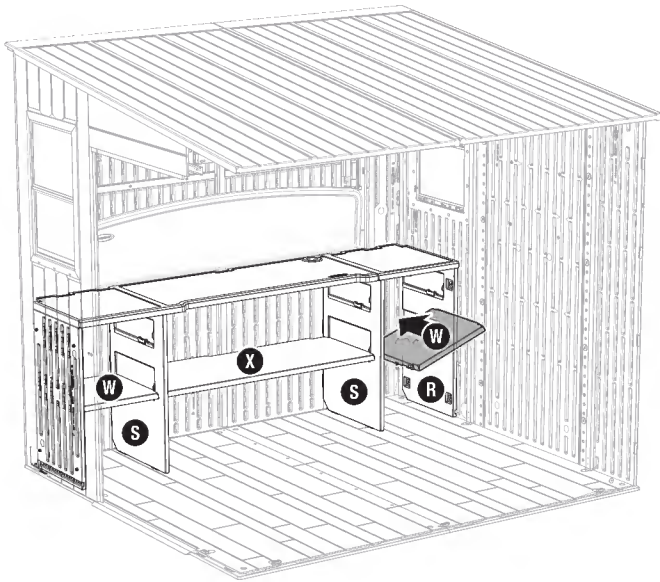


Position 1 tie down bracket (L6) against side adapter (Y2) and left interior countertop (U) as shown. Secure using 3 screws (F1) at the locations indicated.



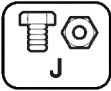
73

While holding the side shelf (W) at a slight angle, insert between right wall divider (R) and center divider (S). Once inserted, rotate side shelf (W) square and press down until it snaps in place. Repeat the process to install remaining side shelf (W) and center shelf (X).

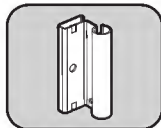


Assembly - Door

Required Hardware/ Steel Kits



74

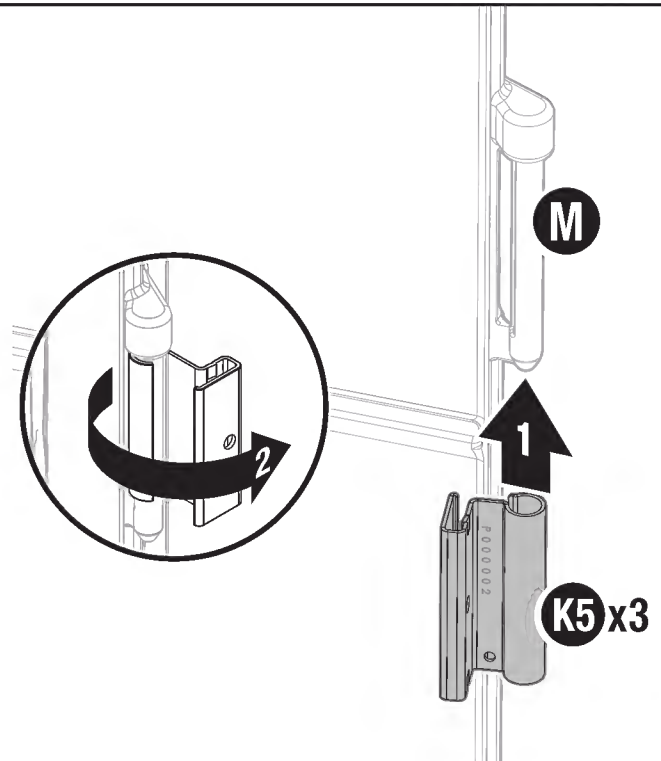


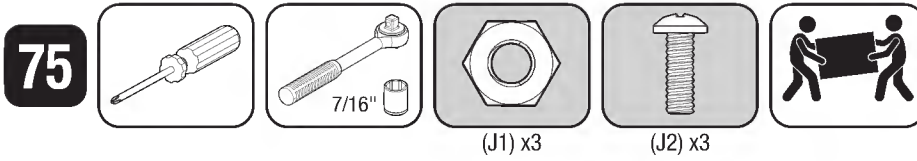
(K5) x3

Hold 1 door hinge (K5) in open position against the right door (M), as shown. From the bottom of the hinge pin, slide door hinge (K5) up onto the hinge pin and then rotate it away from the door (M).

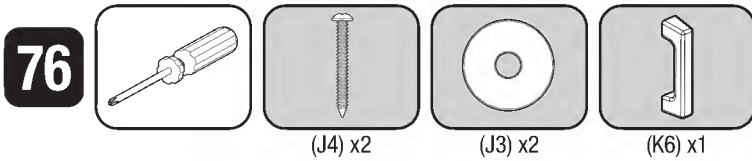
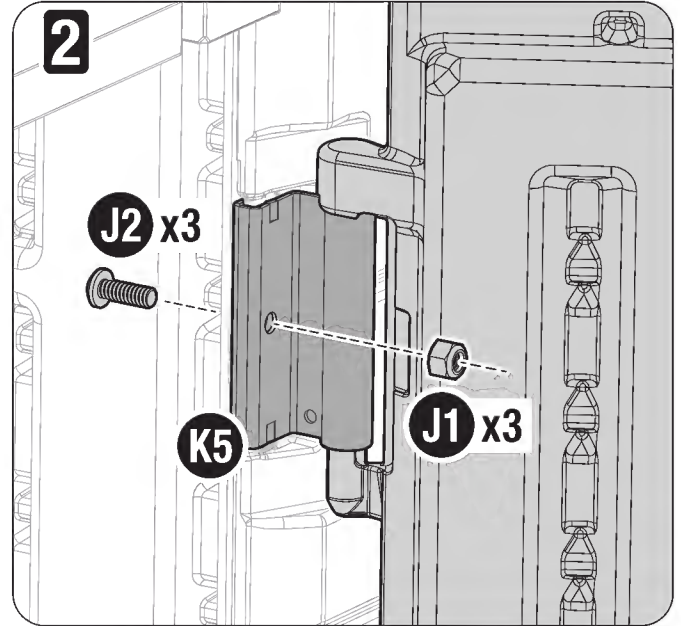
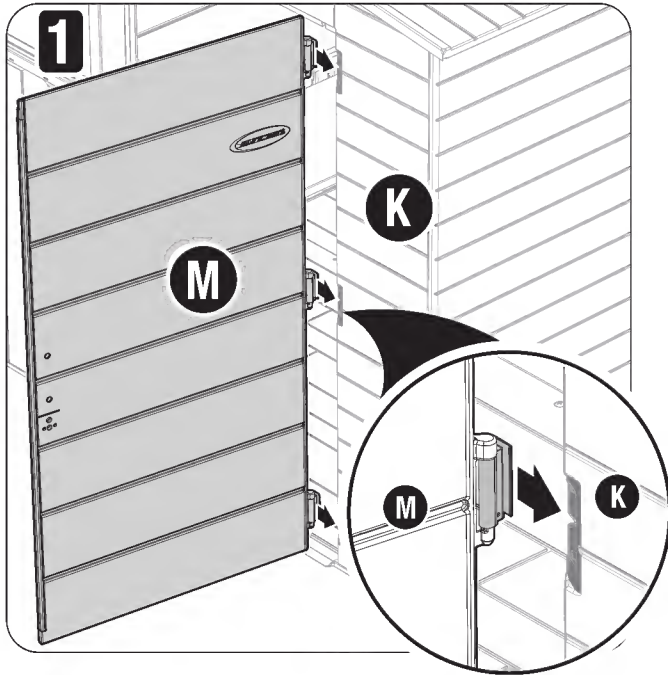
Repeat the process to install the remaining 2 door hinges (K5).

TIP: If you find resistance when sliding the door hinge, a rubber mallet may be useful. Do not force the hinge.

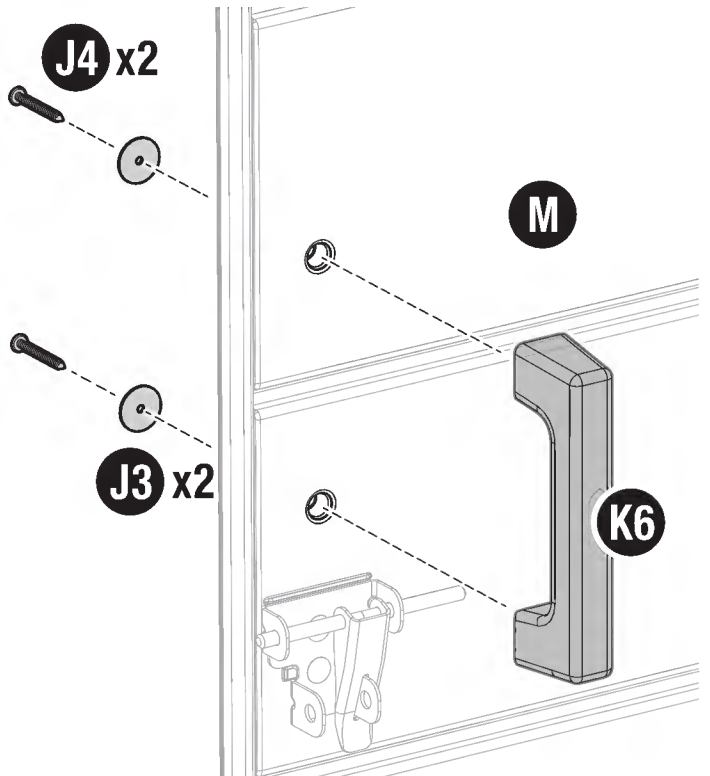




- 1) Position the door (**M**) against right back side (**K**) as shown. Slide each door hinge (**K5**) onto the hinge receptacles of the right back side (**K**).
- 2) From the inside of the shed, secure each door hinge (**K5**) using 1 bolt (**J2**) and nut (**J1**) each. Tighten securely.

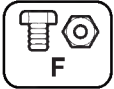


From the inside of the right door (**M**) install 2 screws (**J4**) and washers (**J3**) through the slotted holes. From the outside of the door place door handle (**K6**) through the previously installed screws, as shown. Thread screws (**J4**) into the door handle, until secure.

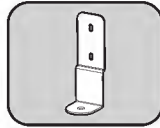
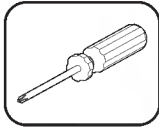
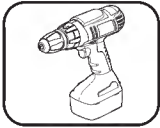


Assembly - Foundation Anchors

Required Hardware/ Steel Kits



77

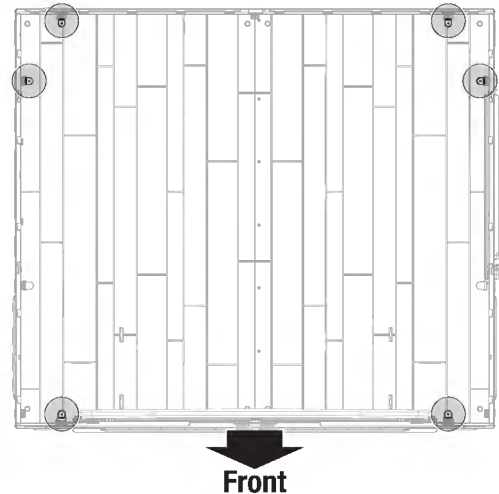
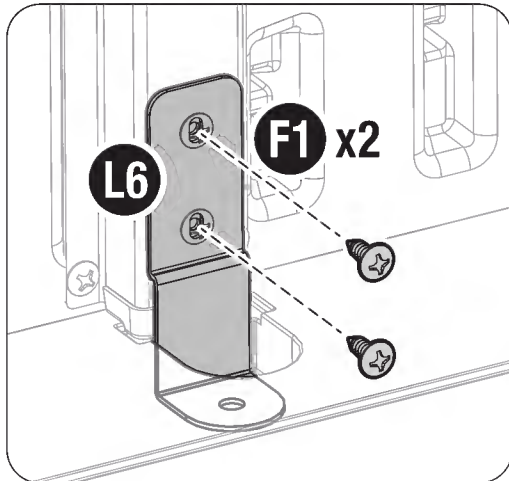


(F1) x12

(L6) x6

Position 1 tie-down bracket (**L6**) into the floor recess as shown and secure to side adapter using 2 screws (**F1**).

Repeat to install the remaining 5 tie down brackets (**L6**) at the locations indicated.



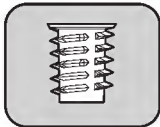
Important: The third hole in tie down bracket (**L6**) is used for securing shed to foundation, reference Site Preparation instructions at the beginning of this manual for specifications.

Assembly - Monitor Adapter (Optional)

Required Hardware/ Steel Kits



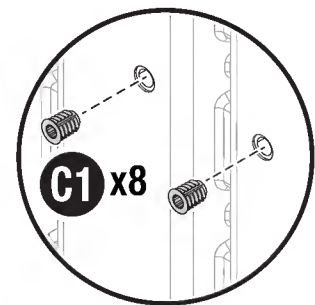
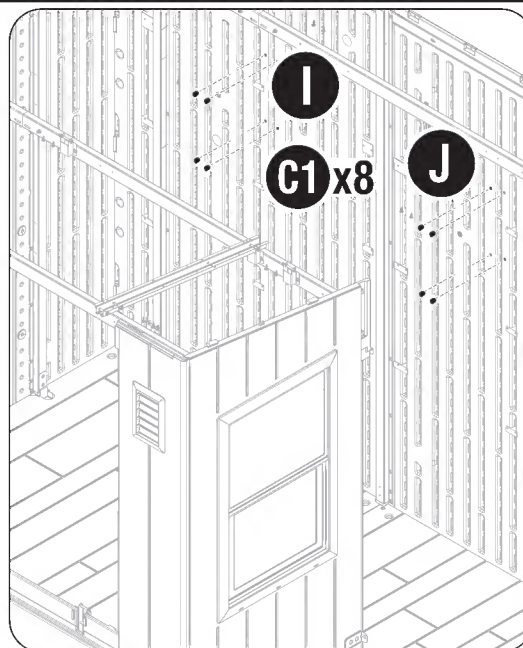
78



C1 x8

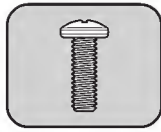
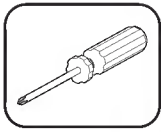
Install 8 threaded nut inserts (**C1**) into the locations indicated on the left and right back (**I,J**).

Nut inserts (**C1**) are secure once they are sitting flush with surface of the panel.



At this time, decide which side of the shed you would like to mount your monitor on.

79

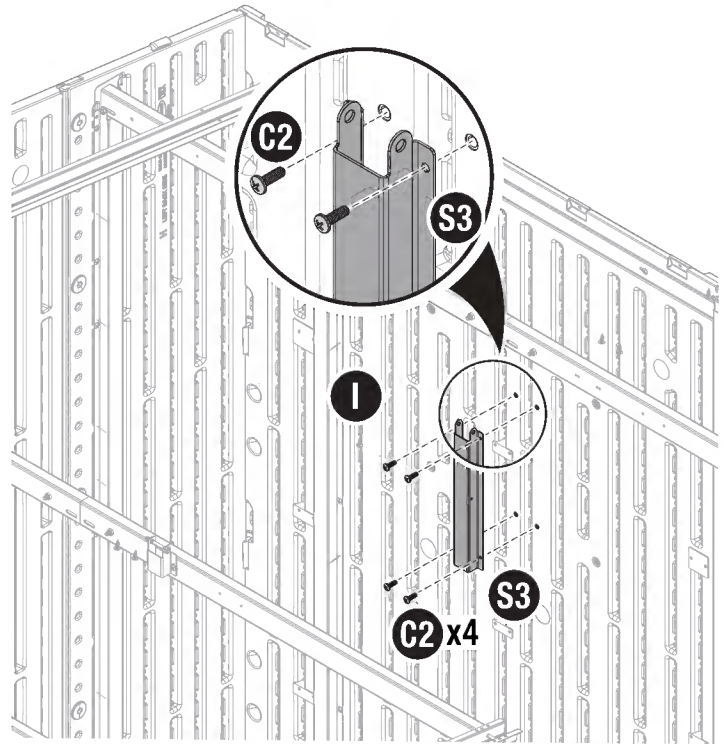


(C2) x4

Align side adapter (11.5", S3) against the previously installed threaded inserts on the desired side of the shed. Using 4 screws (C2) secure the side adapter where indicated.

Monitor Mounting Specifications:

- Monitor size must not exceed 40".
- Monitor mount must be fixed (articulating/tilting mounts are not compatible).
- Monitor mount cannot not exceed 42" in width.
- **Total combined weight** of monitor and monitor mount must not exceed 20 lbs.
- Monitor mount must be secured to side adapters (M1, S3) in at least 2 locations using a minimum of 4 anchors.
- There are no pre-drilled holes in the side adapters. Sunecast recommends following the monitor mount manufacturer's guidelines when selecting an appropriate drill bit and mounting hardware for this application.
- **IMPORTANT:** When drilling pilot holes in the side adapters, DO NOT drill through plastic.



WARNING: When mounting a monitor, refer to the instruction provided by the Original Equipment Manufacturer (OEM) and included with the mount. Mounts and monitors are third-party products and not part of the Sunecast product. SUNECAS^T MAKES NO WARRANTIES, EXPRESS OR IMPLIED, CONCERNING THE ADAPTER, ANY MOUNT OR ANY MONITOR, INCLUDING BUT NOT LIMITED TO ITS MERCHANTABILITY OR ITS FITNESS FOR ANY PURPOSE. The adapter is included for convenience only and is not a required part of the assembly. By attaching a mount, you hereby agree that Sunecast is not responsible in the event the mount fails in any way. IN NO EVENT SHALL SUNECAS^T BE LIABLE FOR ASSEMBLY, INSPECTION, DISPOSAL COSTS, INCIDENTAL OR CONSEQUENTIAL DAMAGES OR ANY LIABILITY EXCEEDING THE ORIGINAL PURCHASE PRICE OF THE PRODUCT.



The label located on the inside of the door contains information regarding your product. The QR code is a direct link to the product registration page on the Sunecast website. The codes at the bottom of the label are specifically related to your product. Please have these numbers available should you need to contact Sunecast.

