

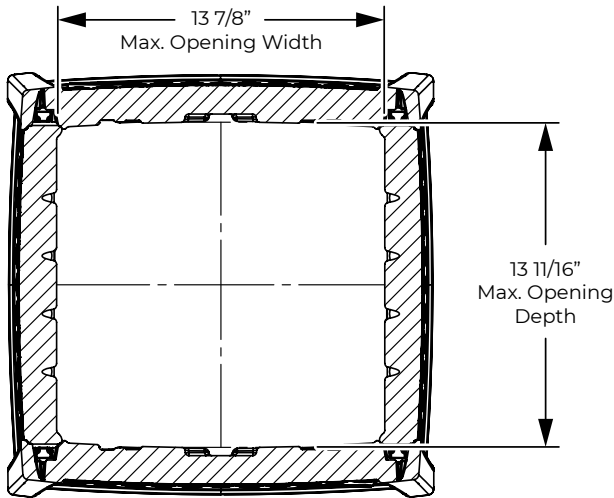
BMDB1310 Elements® End Table with Storage

STORAGE VOLUME:

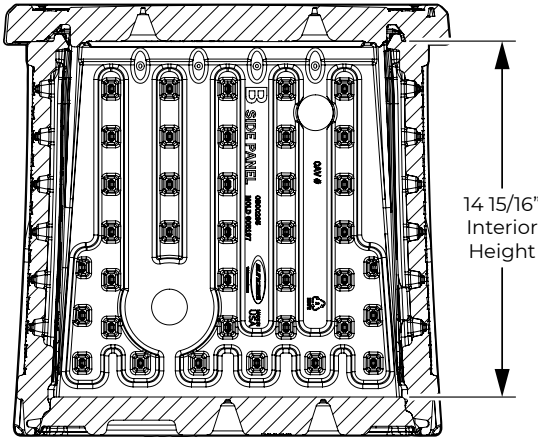
13 Gallons (1.75 Cubic Ft.)

LID LOAD:

Not to exceed 250lbs.



Section A-A



Section B-B

