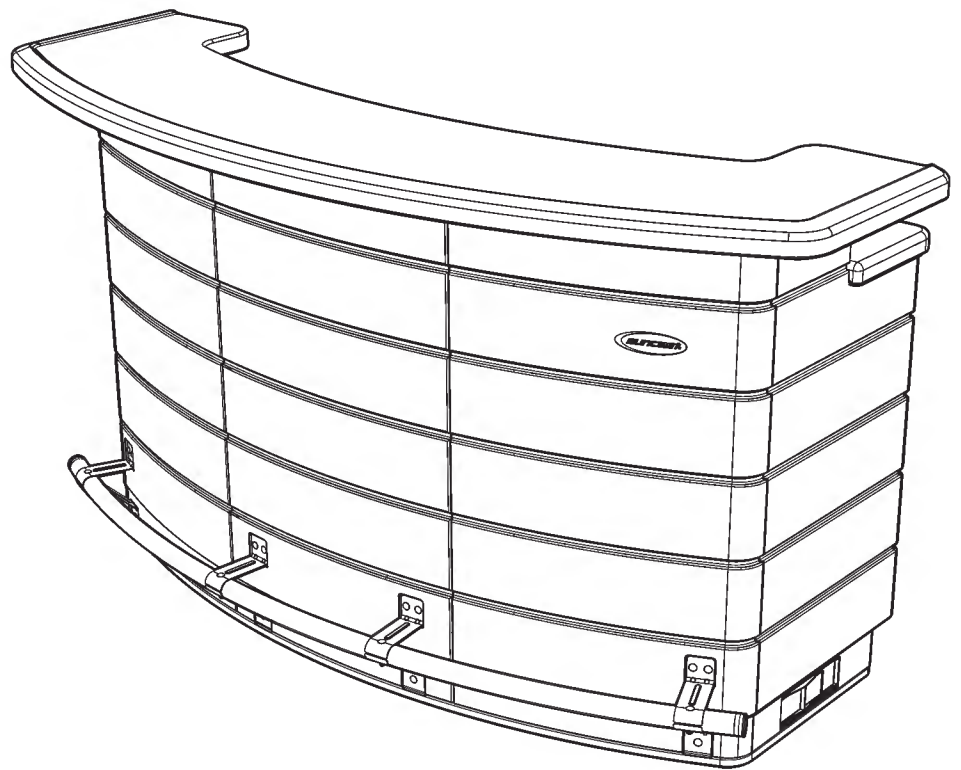
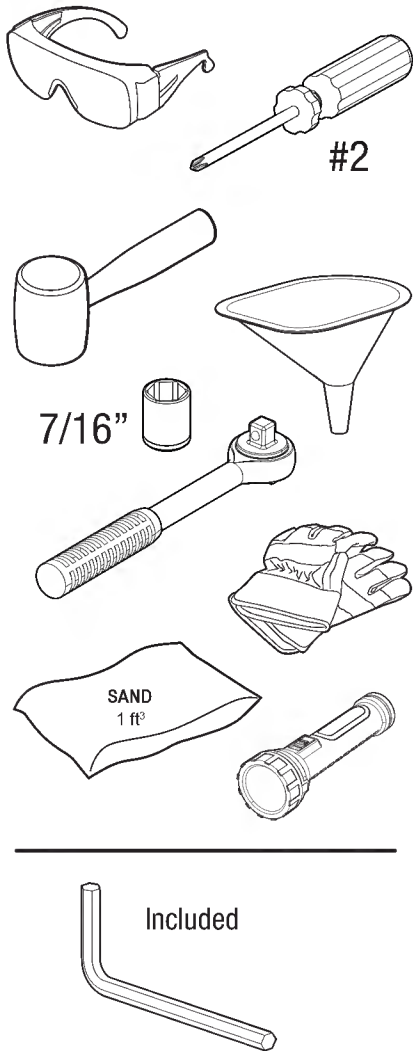


BMEB2000 Series Backyard Oasis Entertaining Bar

ASSEMBLY INSTRUCTIONS

Tools Required



Scan QR Code for product assembly video.

SUNCAST[®]

Built for Everyday Life™

Thank you for purchasing this Suncast® product.

Register within 90 days of purchase to activate Warranty!

Registration is not required for products with a warranty term of 90 days or less.

1. Verify warranty term of your product by visiting [www/suncast.com/warranty](http://www.suncast.com/warranty) (products with a warranty term of 90 days or less do not require registration)
2. Complete registration: fill out the form and upload a copy of your receipt by visiting <https://support.suncast.com> or scanning the QR code



Have Questions?

For product questions, assembly assistance, replacement parts and more:



<https://support.suncast.com>



Suncast Corporation Customer Care
701 N. Kirk Road, Batavia, IL 60510



1-800-846-2345

1-630-381-6309

Table of Contents

Description	Page
Before You Begin	4
Cautions	4
Care Instructions	4
Parts	
Panels	5
Steel	6
Drawers and Sand Containers	8
Inserts and Accessories	9
Hardware	10
Pre-Assembly	
Drawers	11
Drawer Glides	15
Cabinet Floor	17
Bottom Drawer Glides	18
Door Handle	19
Shelf	19
Front Panels	20
Bar Top	21
Cord Slide	22
Sand Containers	23
Footrest Cap	23
Assembly	
Floor, Side and Front Panels	24
Toe Kicks	26
Sand Containers	27
Cabinet Floor	27
Bar Top Supports	28
Bar Top	29
Dividers	32
Door Trim	33
Counter Top	33
Footrest	35
Shelf, Door and Drawers	36
Grommet	39
Moving the Product	40
Electric Cord Routing	42



Before You Begin...

- **Read instructions thoroughly prior to assembly.**

This kit contains parts that can be damaged if assembled incorrectly or in the wrong sequence.

- **Please verify parts.**

Verify all parts and quantities indicated in this manual are present before beginning assembly.

- **Please follow instructions.**

Suncast is not responsible for replacing parts lost or damaged due to incorrect assembly.

- **Assistance is required during portions of assembly.**



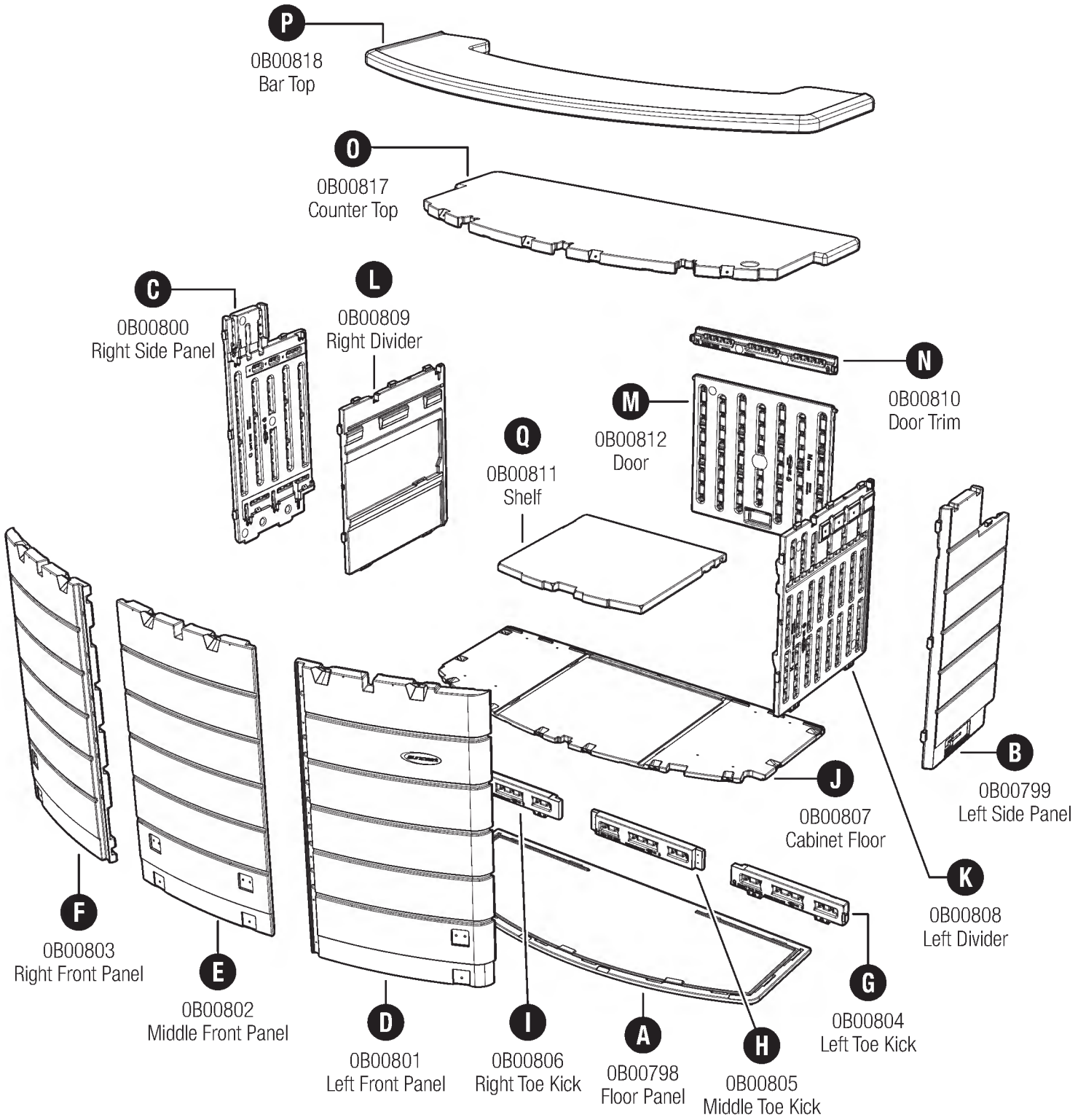
Cautions

- **The finished product must be placed on a flat and level surface.** Failure to do so may void the warranty.
- **DO NOT** use product without sand containers filled and installed.
- **The finished product is very heavy. Only move the product as described in 'Moving the Product' at the end of this manual.**
- The final assembly of this product should take place at or near the desired location for use. Pre-assembly steps can be completed in other available spaces. Refer to the table of contents for related steps.
- **DO NOT** exceed the following weight capacities:
 - Bar Top - 150 lbs (68 Kg)
 - Counter Top - 150 lbs (68 Kg)
 - Small Drawers - 10 lbs (4.5 Kg)
 - Large Drawers - 50 lbs (22.7 Kg)
 - Foot Rail - 150 lbs (68 Kg)
- **DO NOT** stand or sit on the bar surfaces or footrest.
- **DO NOT** store or rest hot items (i.e., grill tools, portable heaters, etc.) in drawers or on bar surfaces.
- Devices used, installed, or stored in or with the product must be plugged into GFCI outlets only.
- Avoid placing cables connected to devices where they may become trip hazards.
- Water may cause the product to become slippery, use caution with objects stored in or on the product to prevent injury.
- If water is present, **DO NOT** use devices installed or stored in the product.
- Product not for storage of flammable or caustic chemicals.
- Store heavy items near the bottom of product.
- Product not intended for use by children.
- Repair or replace broken parts immediately.
- Suncast is not responsible for damage caused by weather or misuse.
- At regular intervals, inspect the product to make sure that assembly integrity has been maintained.
- This kit contains parts with metal edges. Please be careful and use gloves when handling.

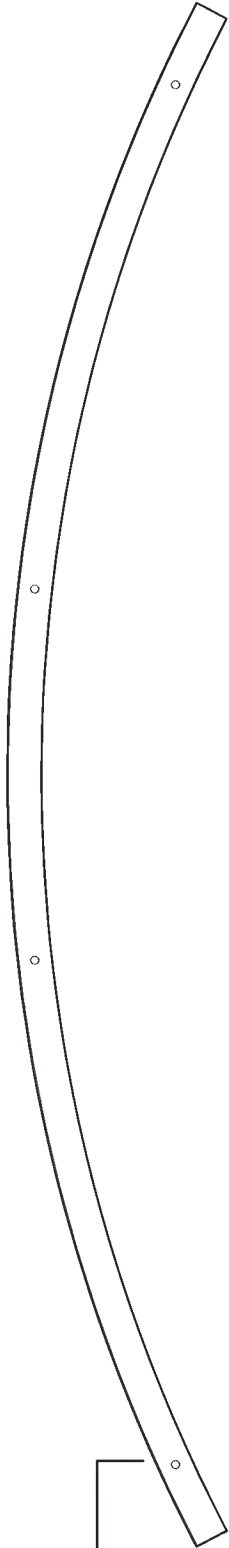
Care Instructions

- To maintain the look of your product, we recommend cleaning it at regular intervals with mild soap and water. **DO NOT** use bleach, ammonia or other caustic cleaners, and **DO NOT** use stiff bristle brushes. Failure to perform cleaning at regular intervals could result in permanent staining of the plastic. This type of damage is not covered under warranty.

Parts - Panels



Parts - Steel



00

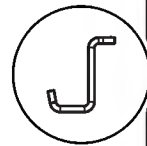
0280665
Footrest

Kit #0464703



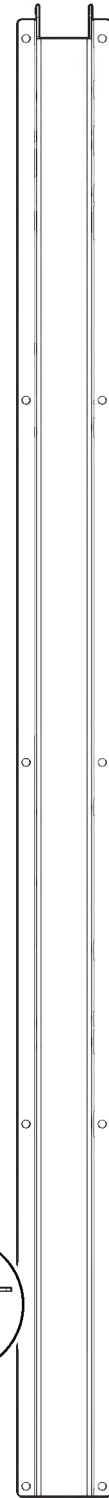
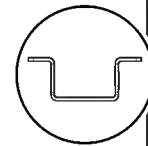
GG

OMR007008A
S-Rail - 47.5"



HH

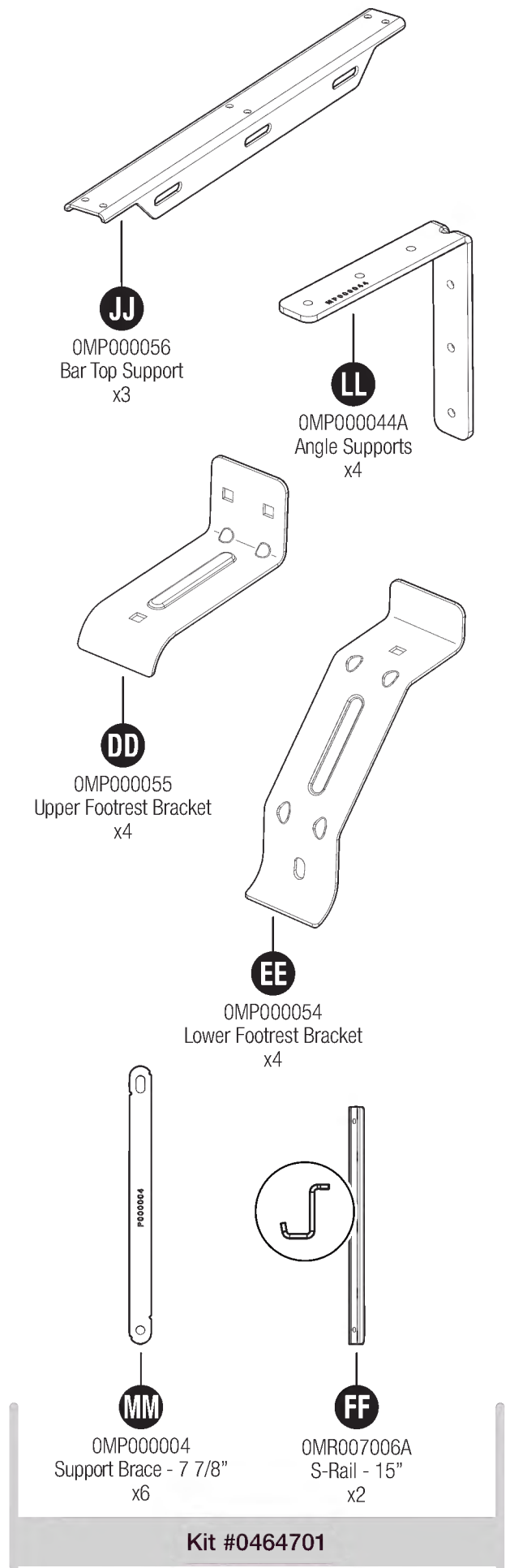
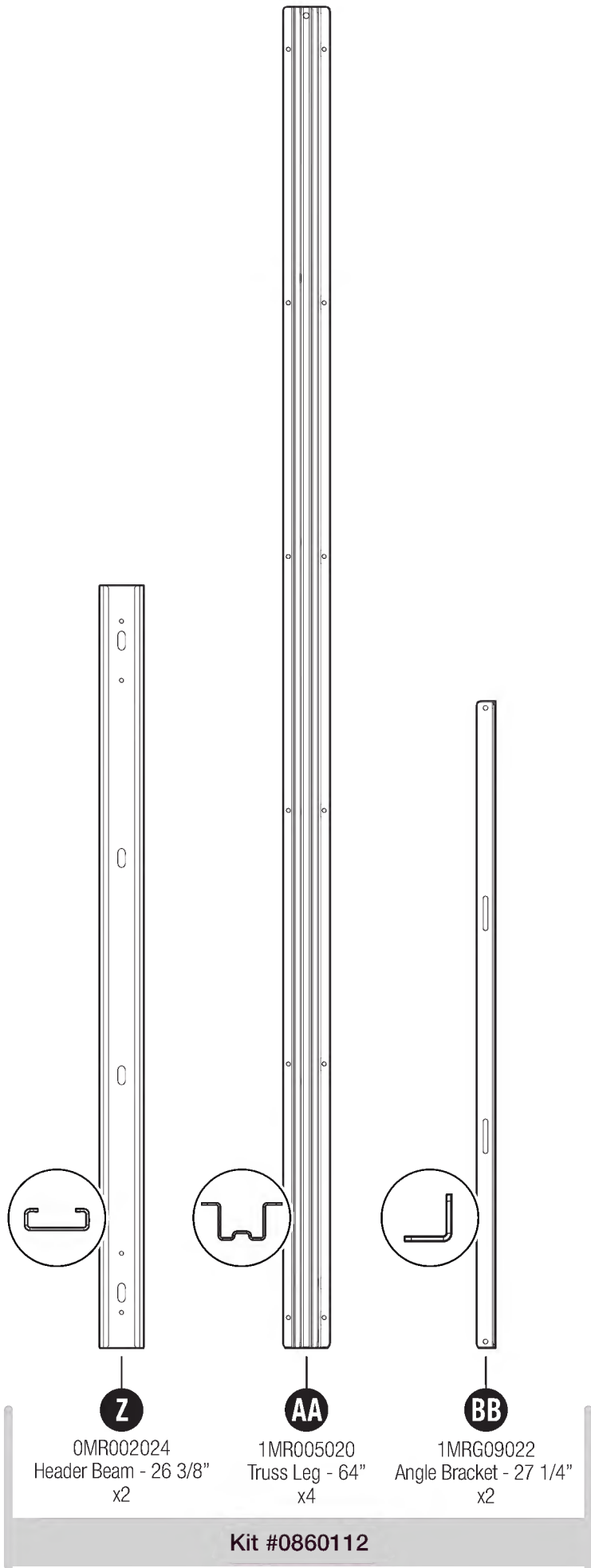
OMR007020
S-Rail - 70"



CC

OMR004020
Side Adapter - 39 7/8"
x3

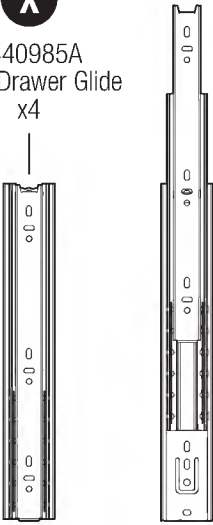
Kit #0860113



Parts - Drawers and Sand Containers

X

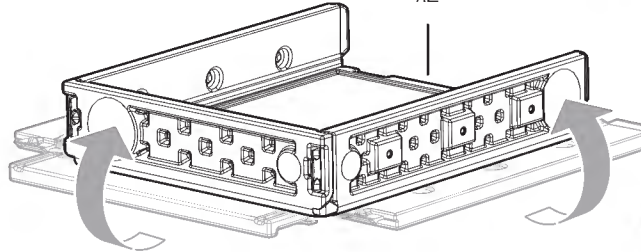
0440985A
Small Drawer Glide
x4



Kit #0860113

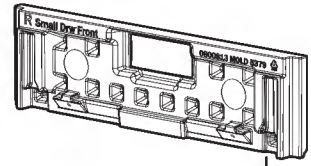
S

OB00815
Small Drawer
x2



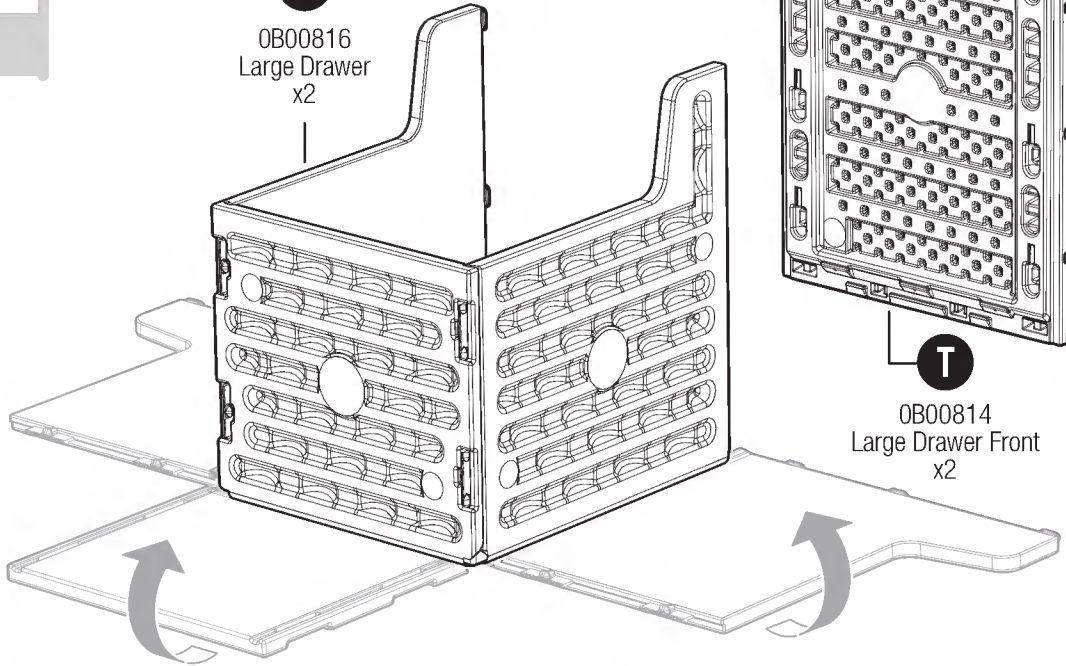
R

OB00813
Small Drawer Front
x2



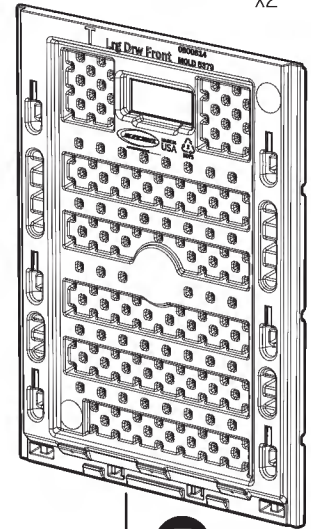
U

OB00816
Large Drawer
x2



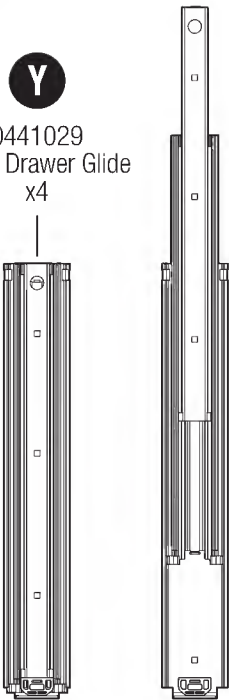
T

OB00814
Large Drawer Front
x2



Y

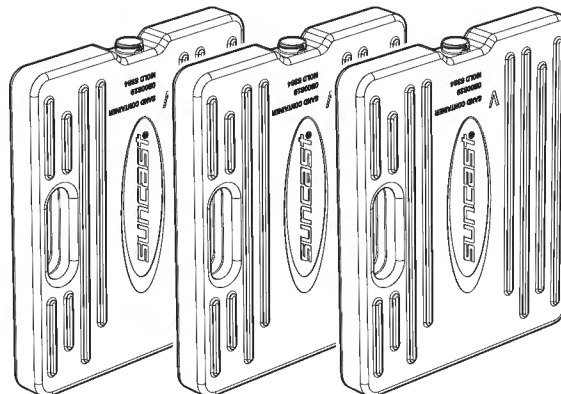
0441029
Large Drawer Glide
x4



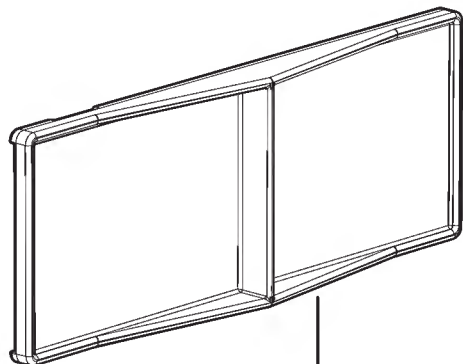
Kit #0860114

V

OB00819
Sand Container
x3

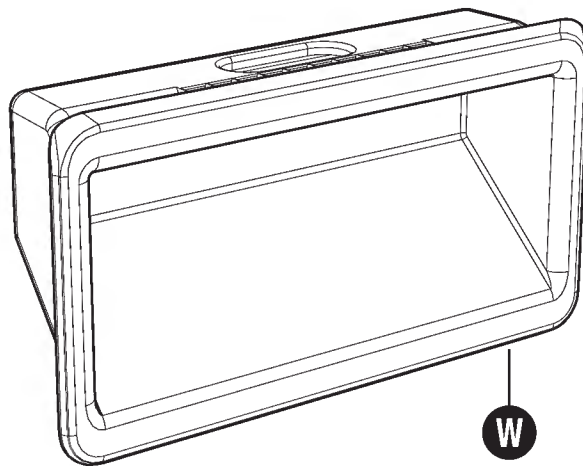


Parts - Inserts and Accessories



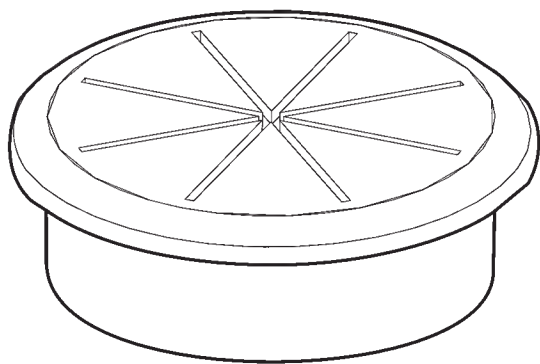
KK

0102552
Cord Slide



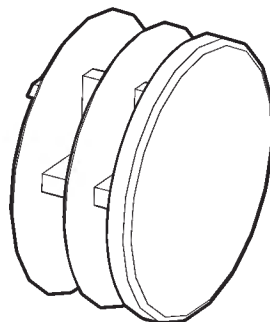
W

010097610
Handle
x5



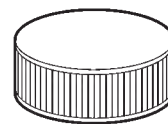
QQ

0511011
Grommet



PP

0240075
Footrest End Cap
x2



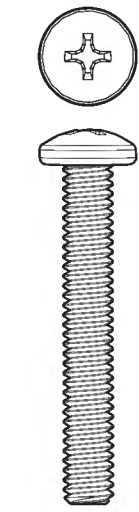
RR

0511015
Sand Container Cap
x3

Kit #0464701

Parts - Hardware

0671306A - Hardware Bag



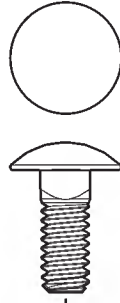
ZZ

0631146
1/4-20 x 1.75"
Phillips Screw
x6



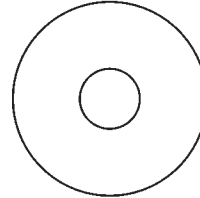
AAA

0631457
1/4-20 x 2"
Carriage Bolt
x4



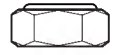
VV

0632537
1/4-20 x 5/8"
Carriage Bolt
x36



WW

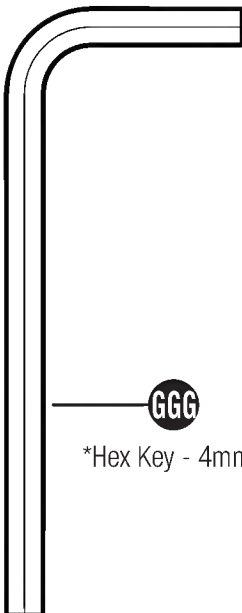
0632526
1/4 x 1"
Flat Washer
x40



XX

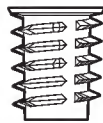
0631732
1/4-20 Lock Nut
x46

0671307A - Hardware Bag



GGG

*Hex Key - 4mm



SS

0632448
Screw Insert
x40



UU

0632449
#8-32 x .5"
Phillips Head Screw
x40



TT

0630970
#10 x 5/8"
Phillips Head
Cap Screw
x230

0671308A - Hardware Bag

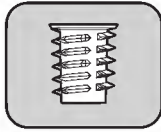
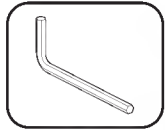
Pre-Assembly - Drawers

This product uses self-tapping screws in some areas. There are no pre-drilled holes. Use force when starting to drive the screw. Once the screw pierces the plastic it will drive easier.

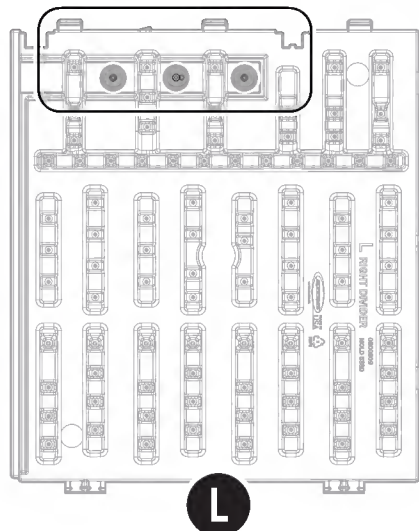
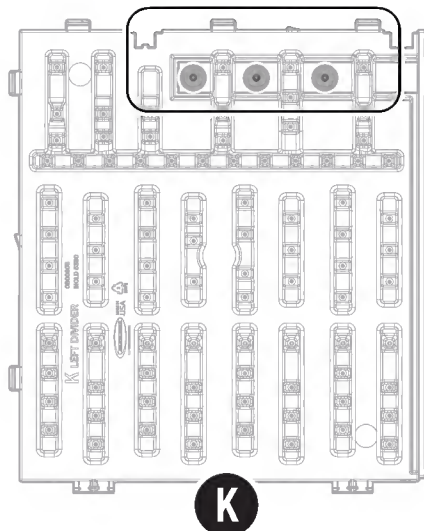
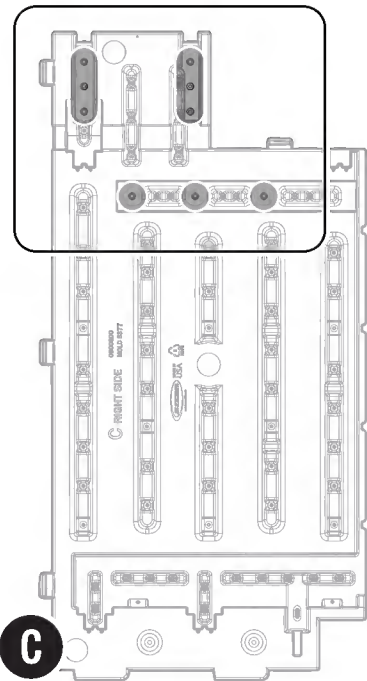
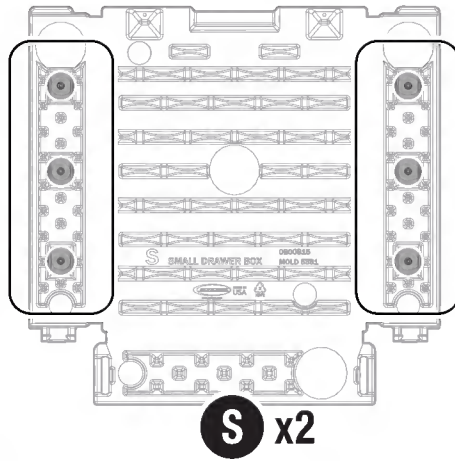
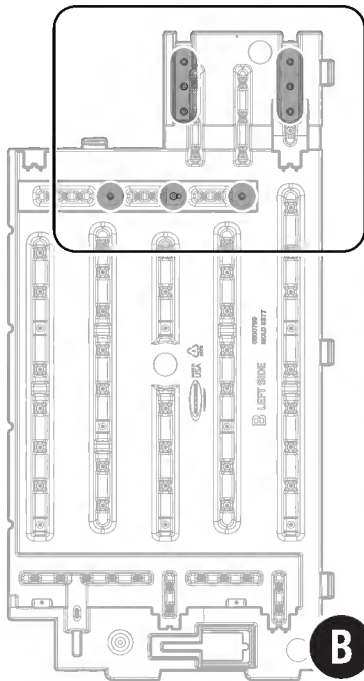
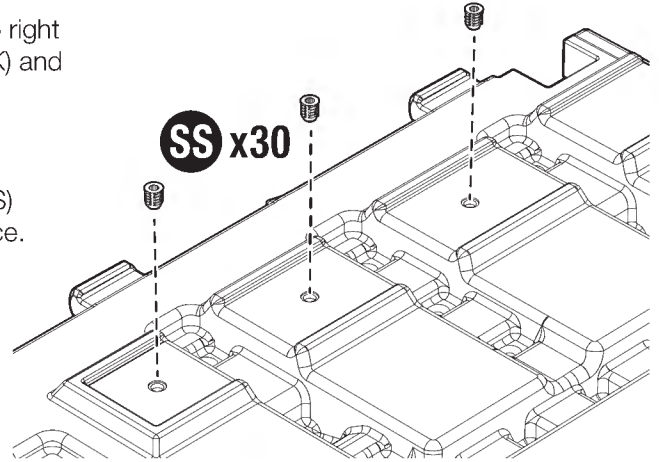
- 1** Using the included 4mm Hex Key, insert screw insert (SS) into right side panel (C), left side panel (B), right divider (L), left divider (K) and small drawer boxes (S).

Refer to panel threaded nut locations shown below.

NOTE: Some pressure is required to start the screw insert (SS) into the plastic panels. Tighten until flush with the panel surface. Do not overtighten.



(SS) x30

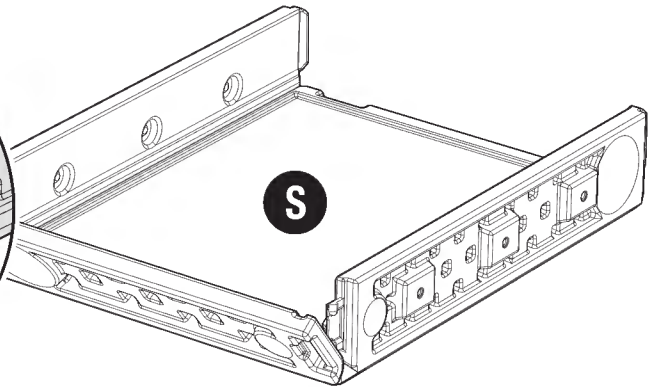
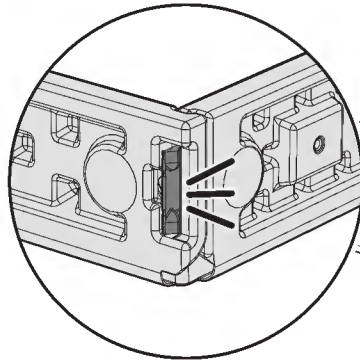
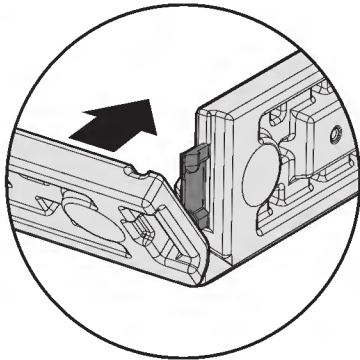
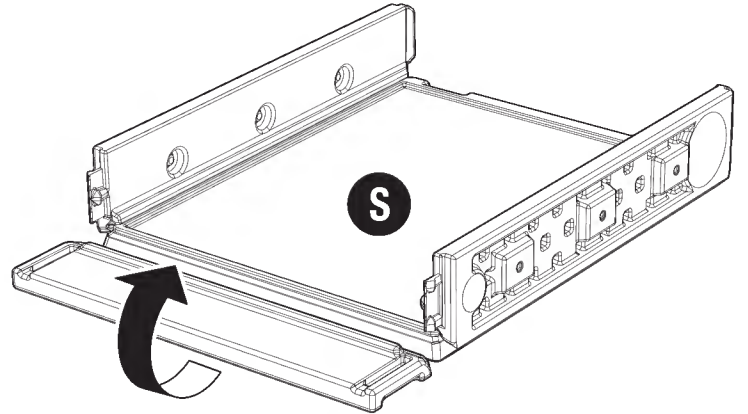
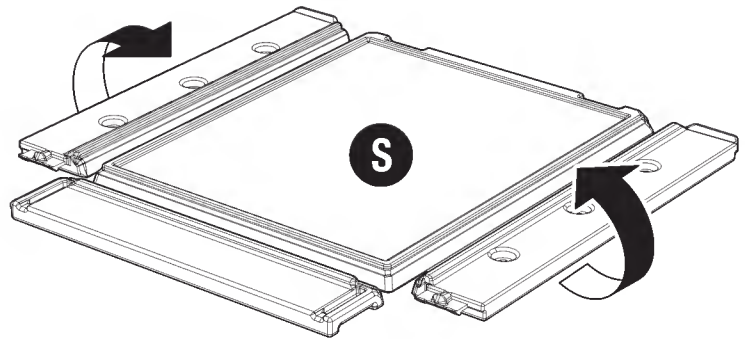
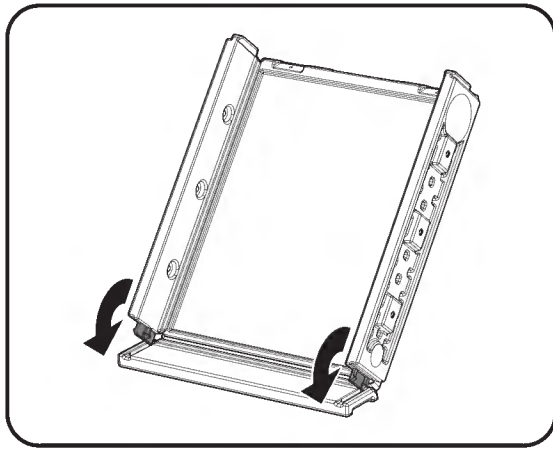
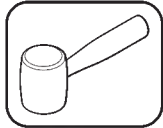


Pre-Assembly - Drawers (cont.)

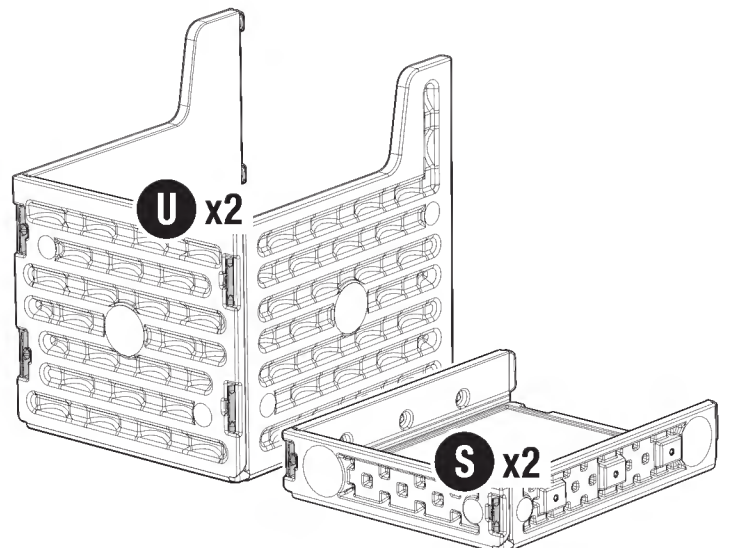
2

With the smooth side of the drawer facing up, fold the left and right sides of one small drawer (S) upward toward the center of the drawer. Fold the back of the drawer up to engage the side tabs. The tabs must be securely snapped through the back corner slots.

HINT: It may be helpful to lower the back of the drawer box to the floor and tip the drawer sides into the back corner slots of the drawer.



Repeat to assemble the remaining small drawer (S) and two large drawers (U).

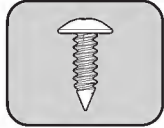
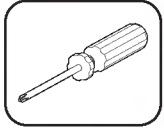


3

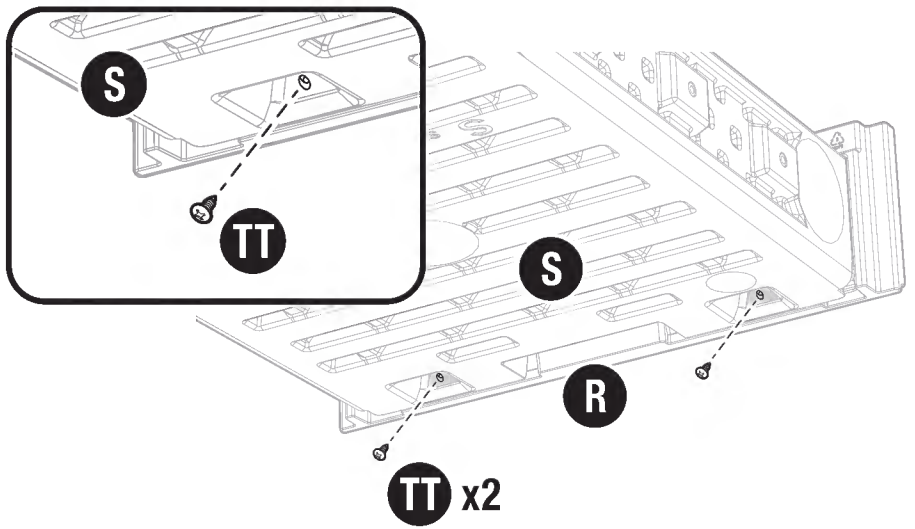
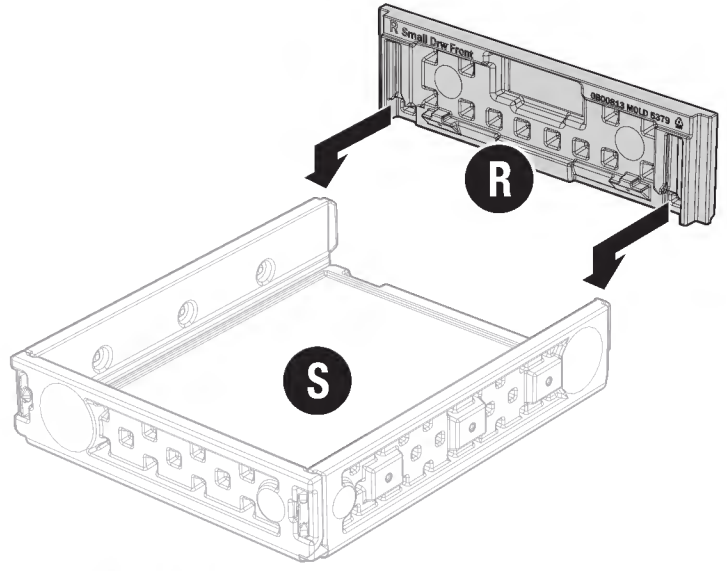
Slide the slots in one small drawer front (R) onto the tabs on the front of one formed small drawer (S). Slide until the front panel snaps into place.

From the bottom of the small drawer (S), insert two screws (TT) through the small drawer securing it to the drawer front (R).

Repeat to assemble the remaining small drawer front (R) to small drawer (S).



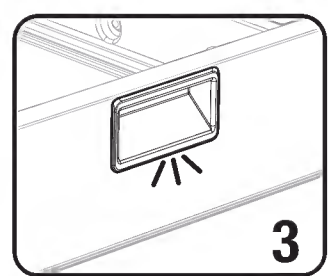
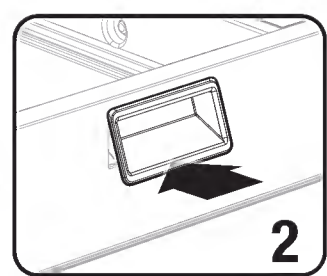
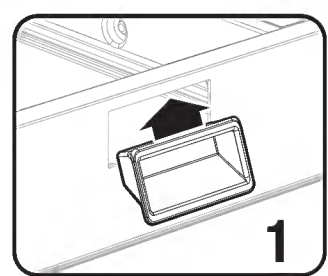
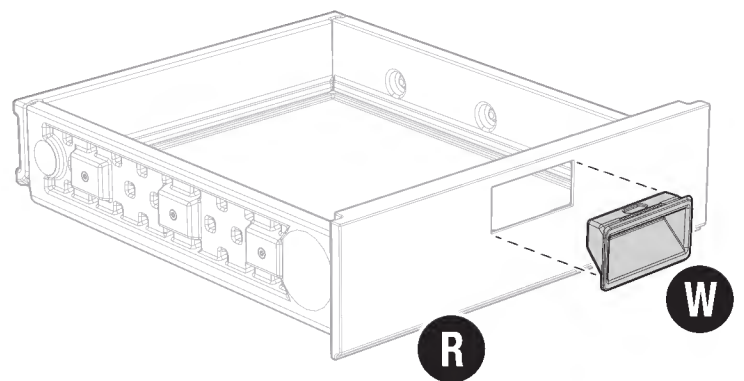
(TT) x4



4

Insert one drawer handle (W) on an angle into the top edge of the handle hole of one small drawer front (R). Rotate the bottom of the handle toward the drawer front and press firmly on the center of the handle to snap it into place.

Repeat with one handle into the remaining small drawer front (R).



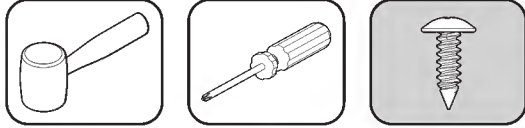
Pre-Assembly - Drawers (cont.)

5 Slide the slots in one large drawer front (T) onto the tabs on the front of one formed large drawer (U). Slide until the front panel snaps into place.

Note: The large drawer front will extend past the large drawer bottom.

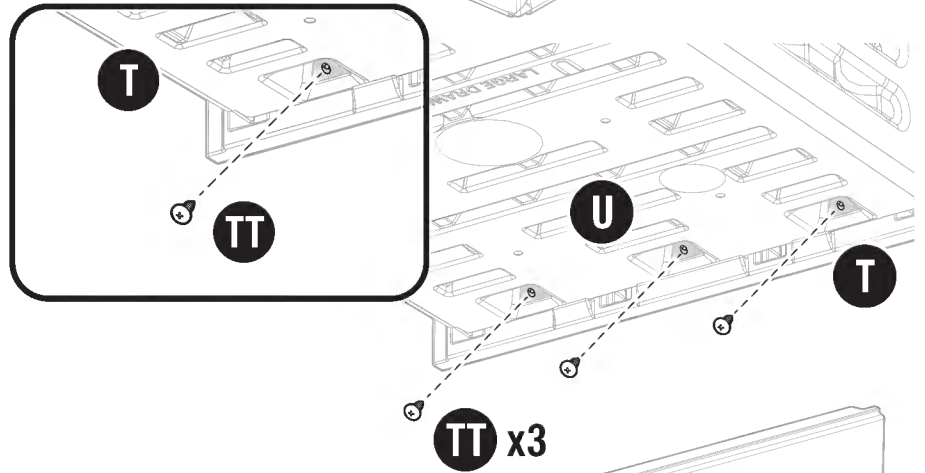
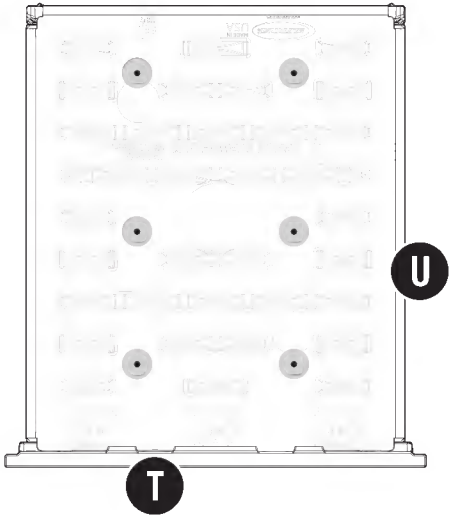
From the bottom of the large drawer (U), insert three screws (TT) through the large drawer securing it to the drawer front (T).

Repeat to assemble the remaining large drawer front (T) to large drawer (U).



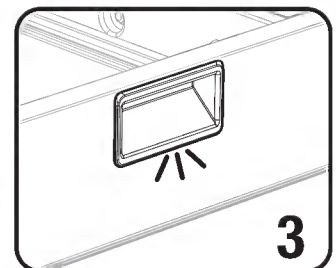
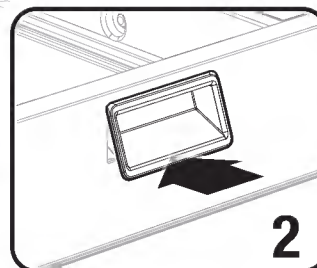
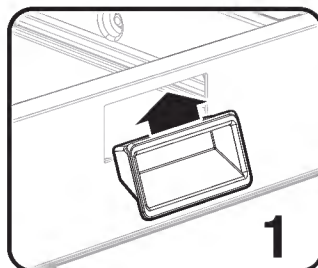
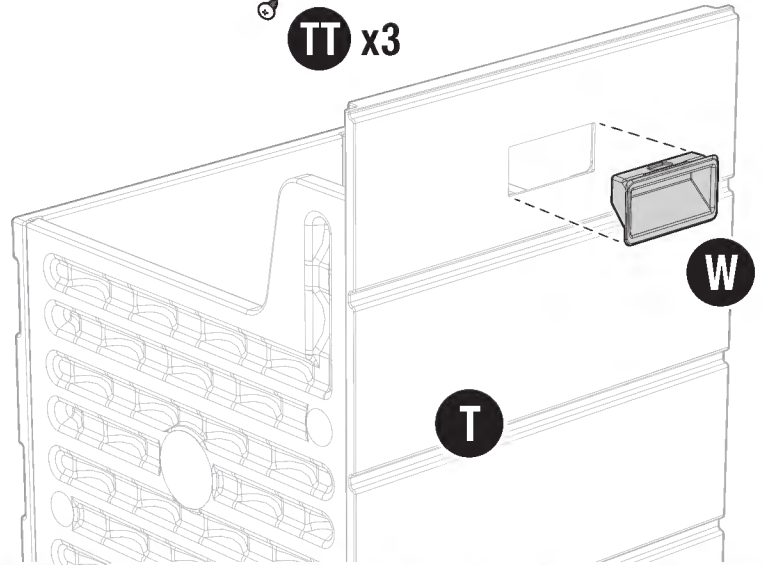
(TT) x6

NOTE: Using a Phillips head screwdriver or other similar tool, fully pierce the six 1/4" holes indicated in the bottom of the large drawer (U).



6 Insert one drawer handle (W) on an angle into the top edge of the handle hole of one large drawer front (T). Rotate the bottom of the handle toward the drawer front and press firmly on the center of the handle to snap it into place.

Repeat with one handle into the remaining large drawer front (T).



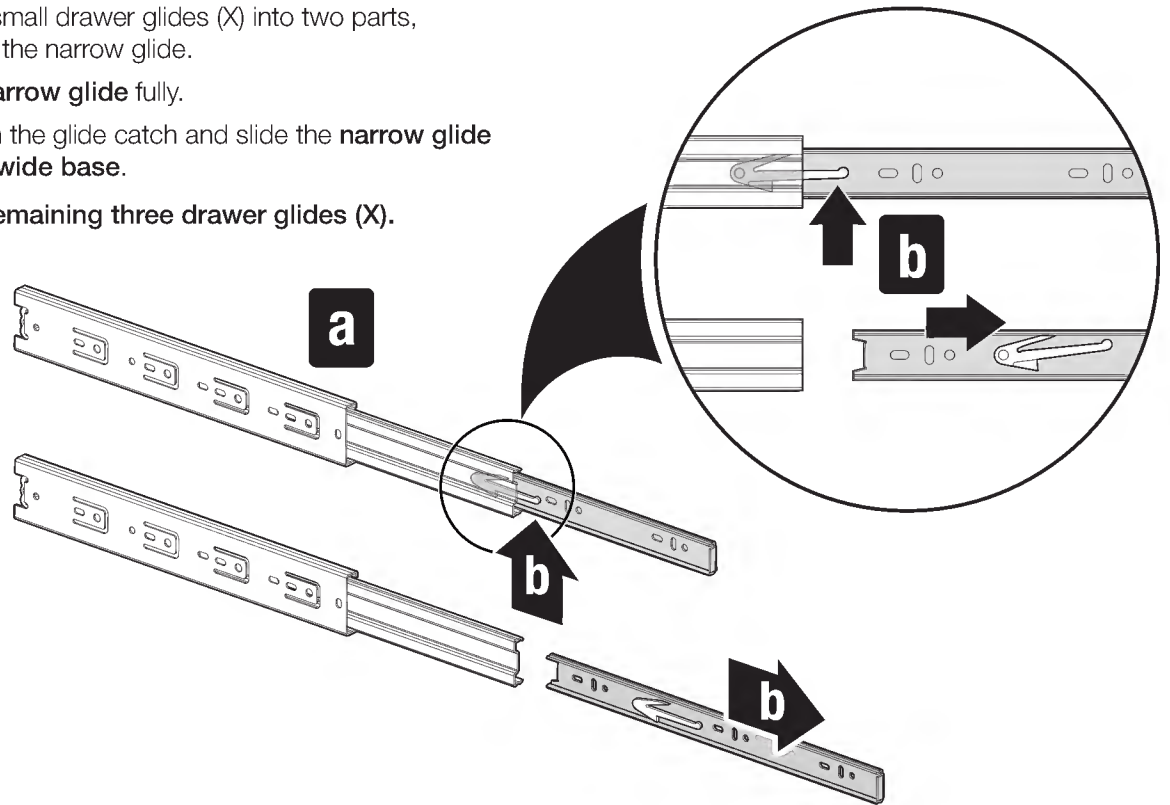
Pre-Assembly - Drawer Glides

7

Separate the four small drawer glides (X) into two parts, the wide base and the narrow glide.

- a) extend the **narrow glide** fully.
- b) lift upward on the glide catch and slide the **narrow glide** out from the **wide base**.

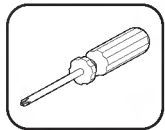
Repeat for the remaining three drawer glides (X).



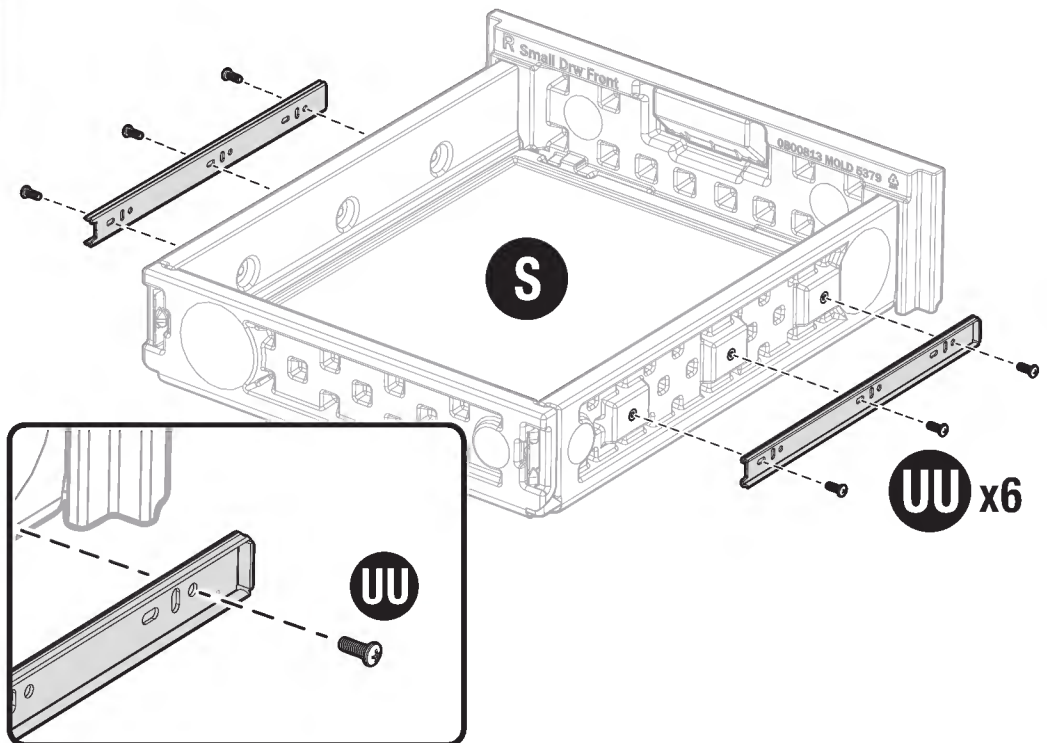
8

Assemble the narrow glide portions to the small drawers (S) using three screws each (UU). Tighten securely.

NOTE: Be sure to orient the bent end of the narrow glide portions toward the front of the drawers.



(UU) x12



(UU) x6

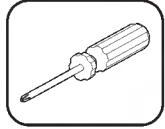
Pre-Assembly - Drawer Glides (cont.)

9

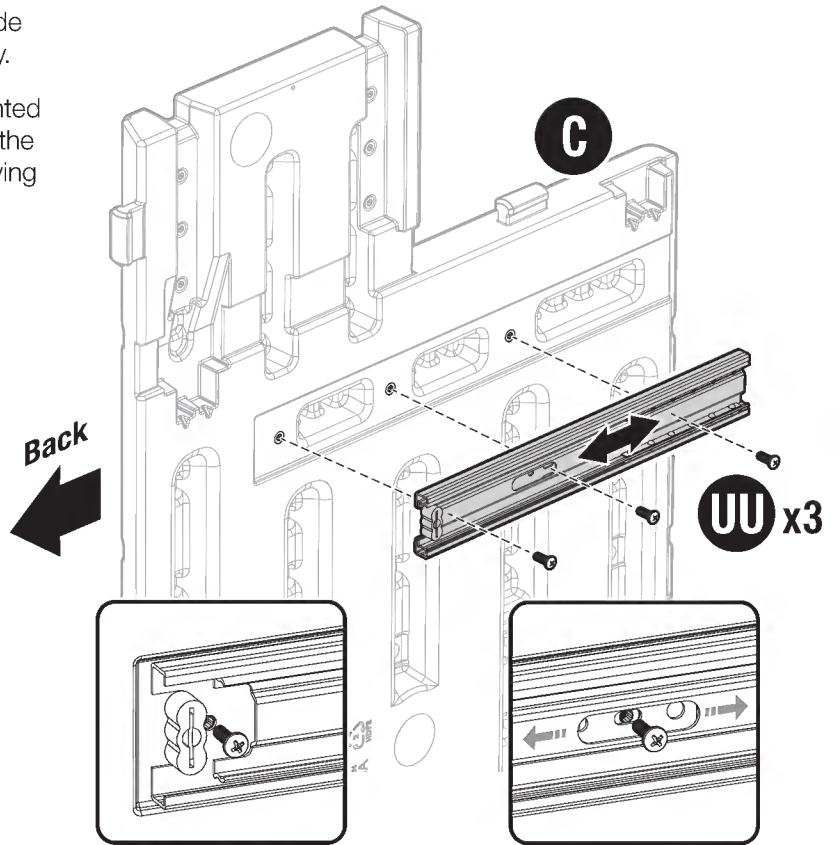
Attach one drawer glide wide base to the right side panel (C) with three screws (UU). Tighten securely.

NOTE: The rubber bumper-stops should be oriented toward the back of the side panel (C). To access the front two screw locations, line up slots in the moving part of the wide base with the mounting holes.

Repeat for the left side panel (B) and one additional drawer glide wide base.



(UU) x6

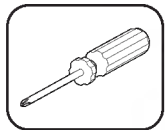


10

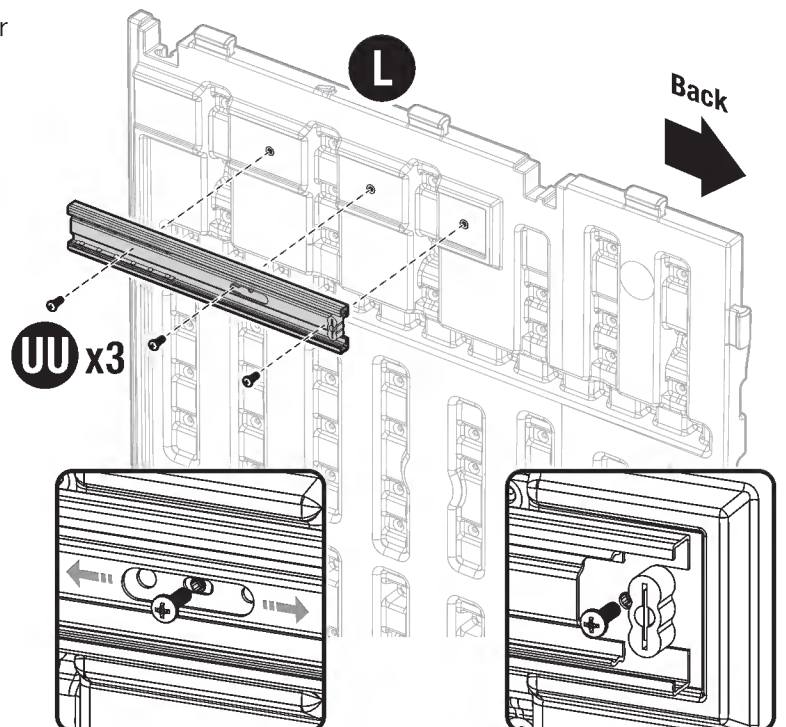
Attach one drawer glide wide base to the right divider panel (L) with three screws (UU). Tighten securely.

NOTE: The rubber bumper-stops should be oriented toward the back of the divider panel (L). To access the front two screw locations, line up slots in the moving part of the wide base with the mounting holes.

Repeat for the left divider panel (K) and one additional drawer glide wide base.

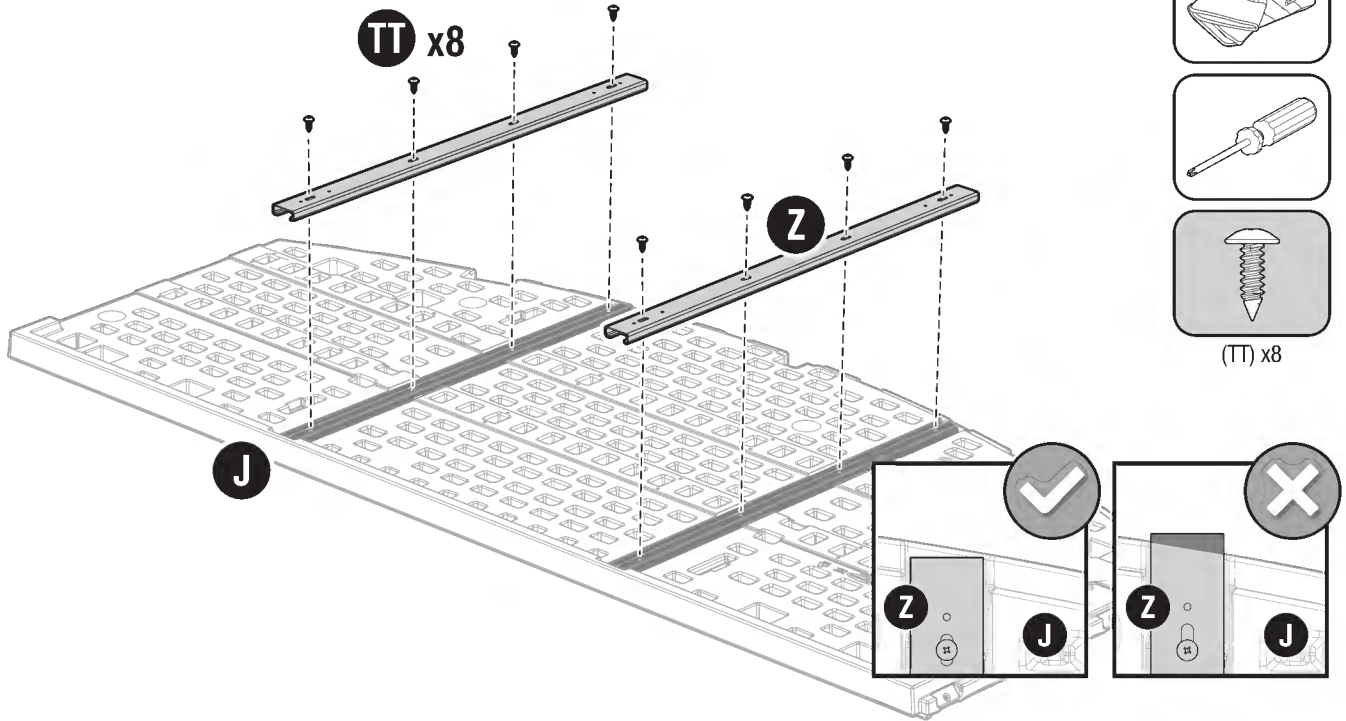


(UU) x6

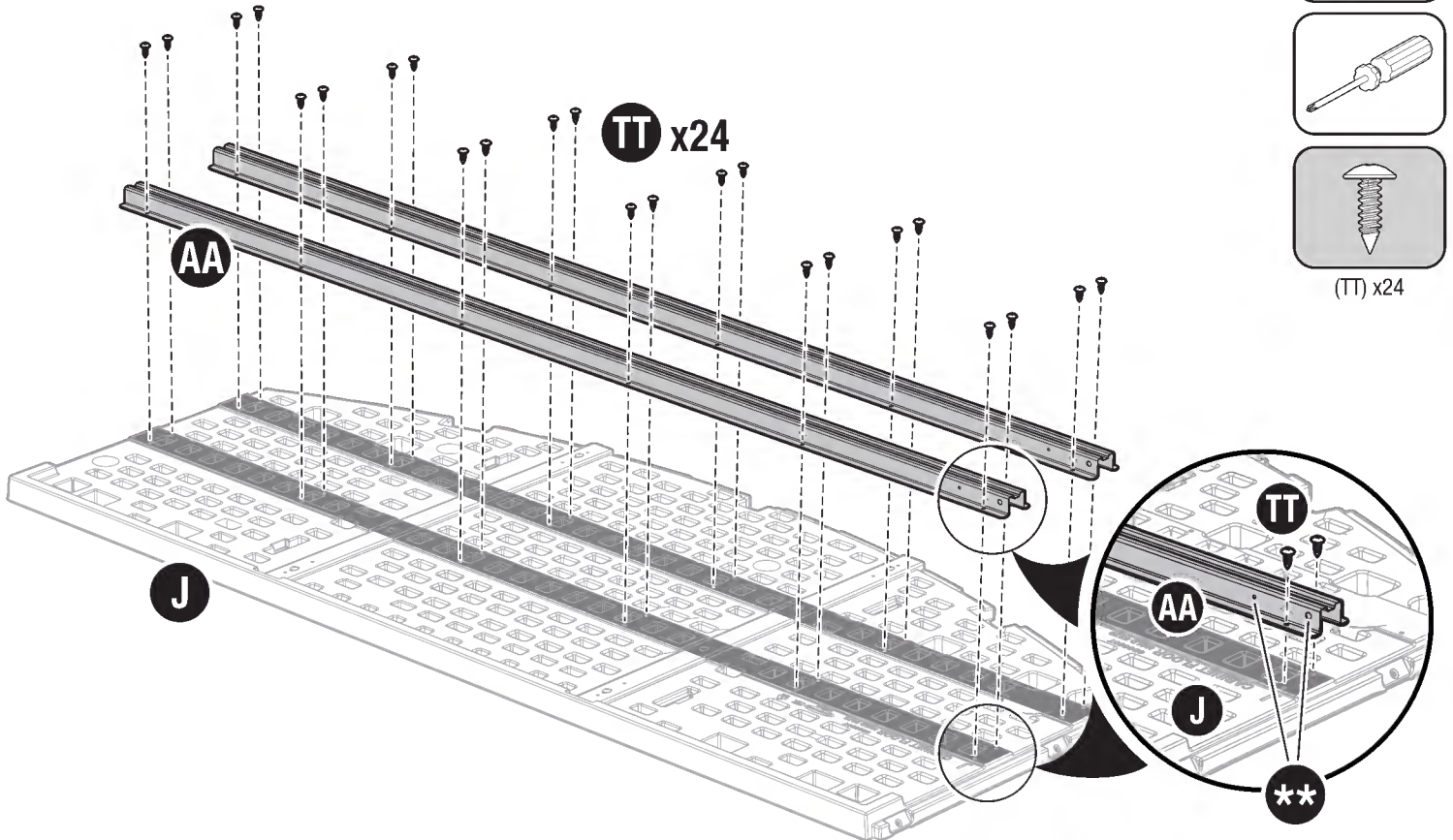


Pre-Assembly - Cabinet Floor

11 Using four screws each (TT), attach two header beams (Z) to the underside of the cabinet floor panel (J).



12 Using 12 screws each (TT), attach two truss legs (AA) to the underside of the cabinet floor panel (J).
IMPORTANT: Orientation of the truss legs (AA) is important. Be sure to orient the truss legs with the ends having two holes (***) positioned at the end of the cabinet floor panel (J) as shown.



Pre-Assembly - Bottom Drawer Glides

13

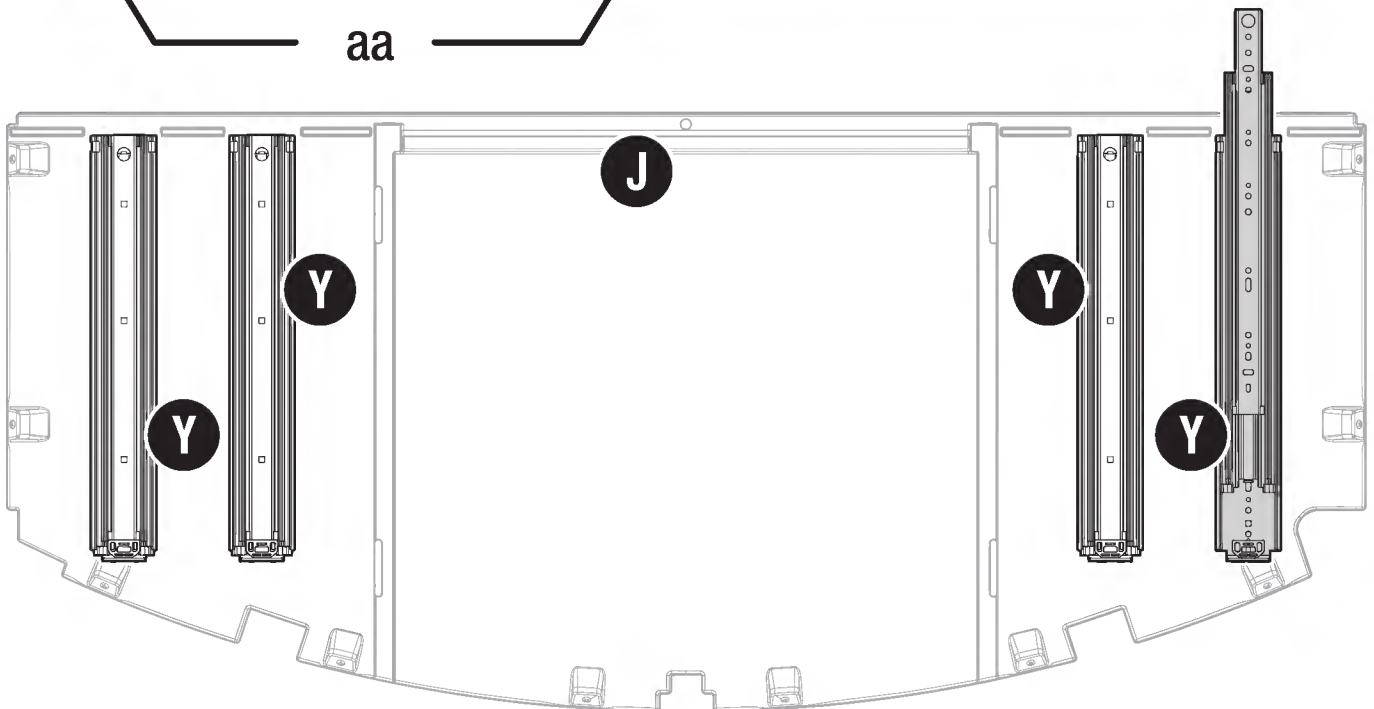
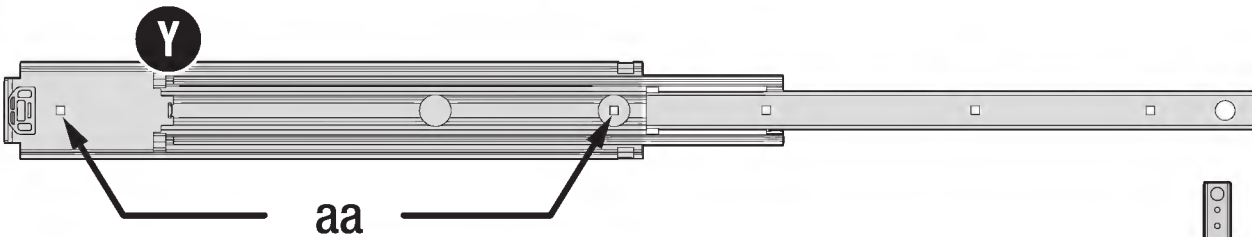
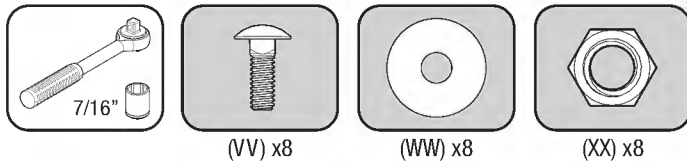
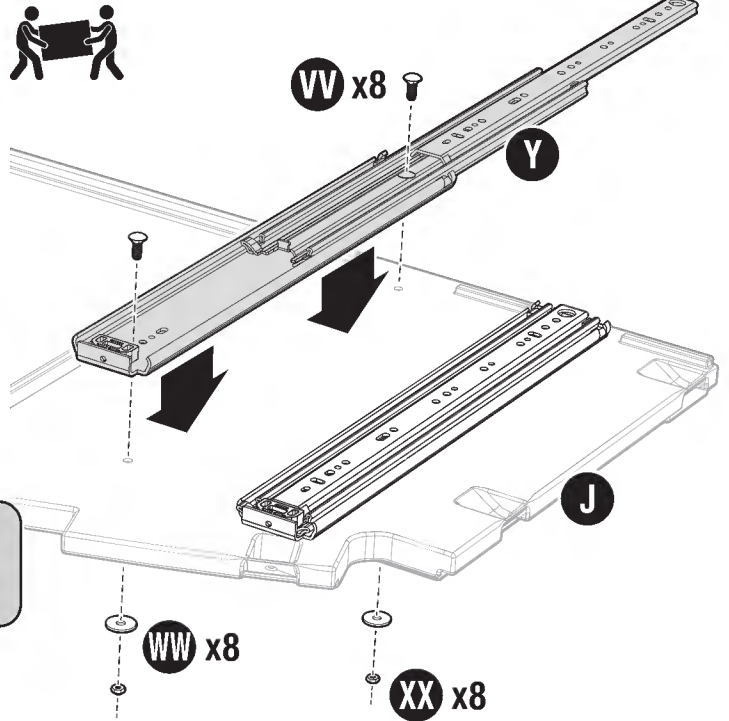
Flip the cabinet floor (J) so the smooth side is facing up. Using two bolts (VV), washers (WW) and nuts (XX), attach one large drawer glide (Y) to the cabinet floor.

Repeat for the three remaining large drawer glides (Y).

NOTES: 1) Using a Phillips head screwdriver or other similar tool, pierce the holes in the cabinet floor. 2) The large drawer glide (Y) needs to be extended to access mounting holes (aa) prior to attaching to the cabinet floor.

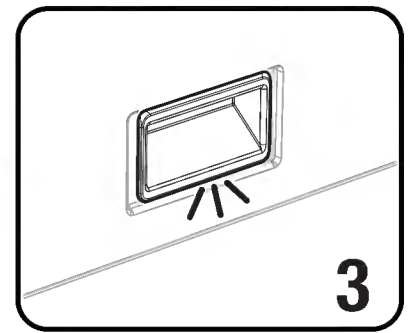
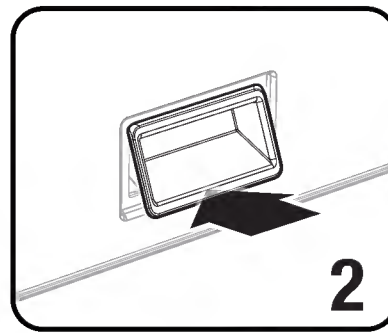
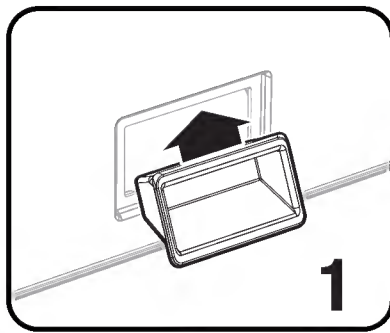
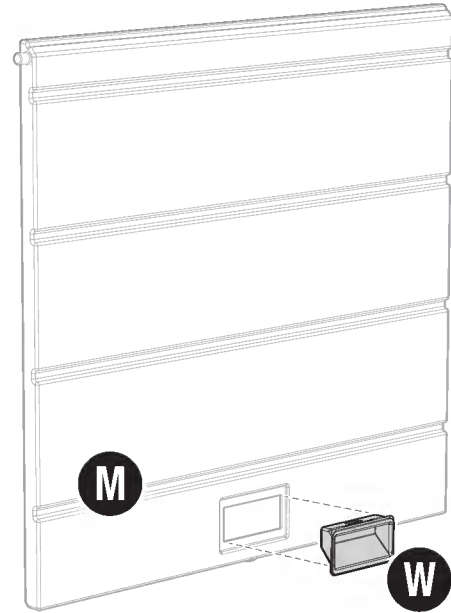
CAUTION: Collapse large drawer glides (Y) before attempting to move the cabinet floor (J) after assembly.

HINT: Tape the drawer glides closed to avoid glides opening while moving later in the installation.



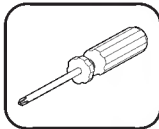
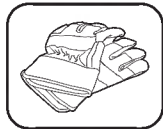
Pre-Assembly - Door Handle

- 14** Insert one drawer handle (W) on an angle into the top edge of the handle hole of the door (M). Rotate the bottom of the handle toward door front and press firmly on the center of the handle to snap it into place.

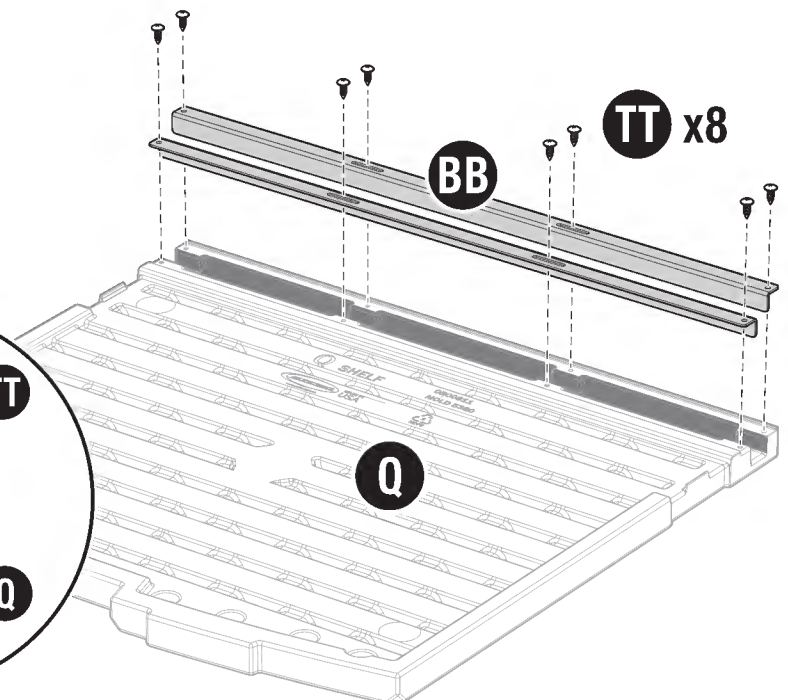
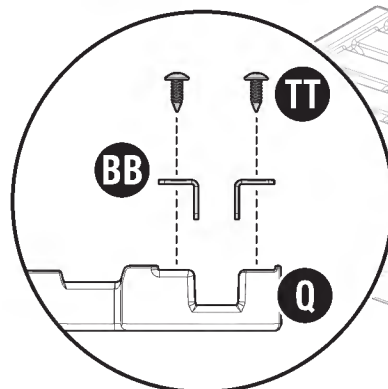


Pre-Assembly - Shelf

- 15** Using four screws each (TT), attach two angle brackets (BB) to the bottom of the shelf (Q).



(TT) x8

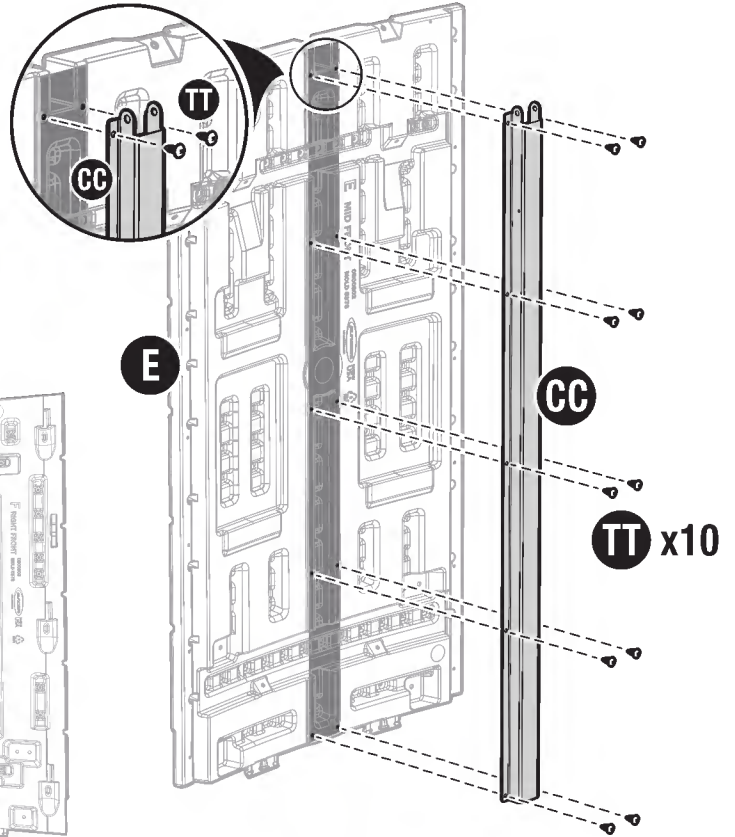
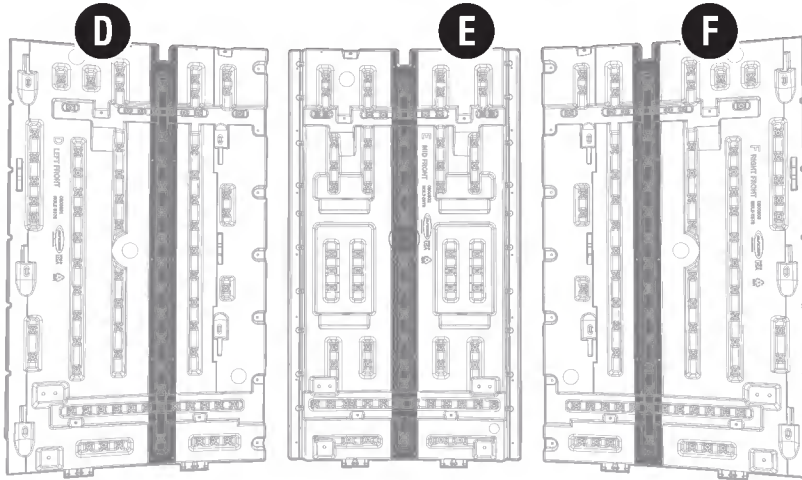
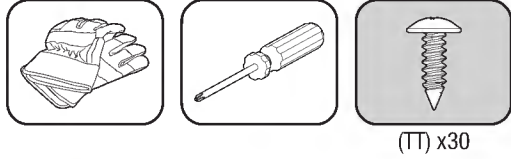


Pre-Assembly - Front Panels

16

Using ten screws (TT), attach one side adapter (CC) to middle front panel (E).

Repeat for the left front panel (D) and right front panel (F) at locations indicated below.



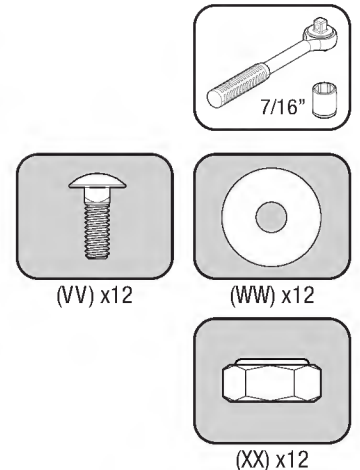
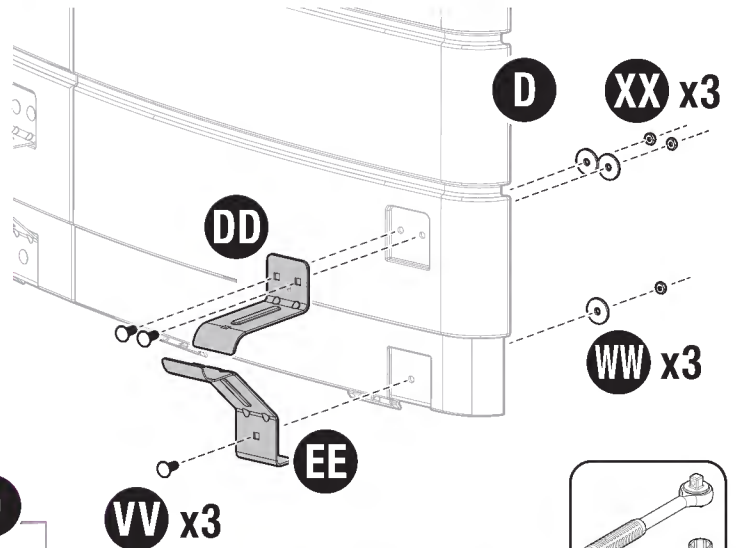
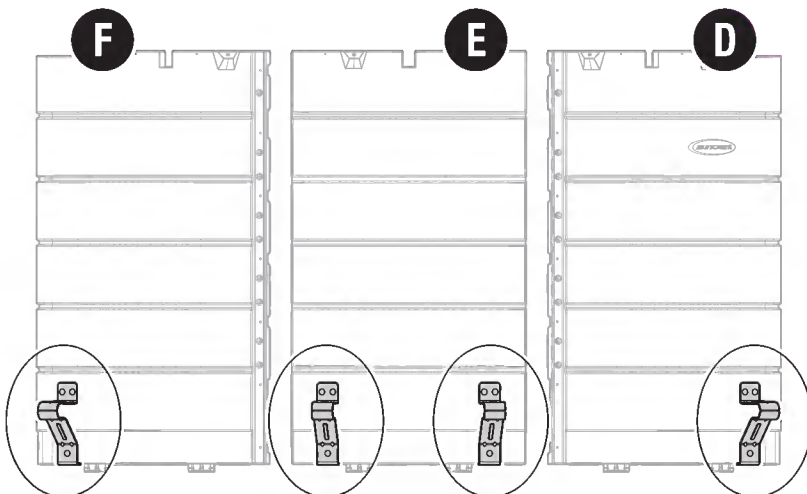
17

Using three bolts (VV), washers (WW) and nuts (XX), attach one upper footrest bracket (DD) and one lower footrest bracket (EE) to the left front panel (D). Tighten the bolts securely.

NOTE: Holes may need to be pierced using a Phillips head screwdriver or other similar tool prior to installing bolts (VV). Pierce holes from the front side of panels.

Repeat to install the remaining three upper footrest brackets (DD) and lower footrest brackets (EE) onto the middle front panel (E) and right front panel (F). See locations below for reference.

NOTE: Using a Phillips head screwdriver or other similar tool, pierce the holes in the front panels.



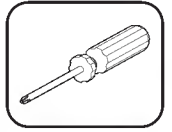
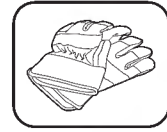
Pre-Assembly - Bar Top

IMPORTANT: Be sure to use the correct size S-Rails for each of the steps as described below.

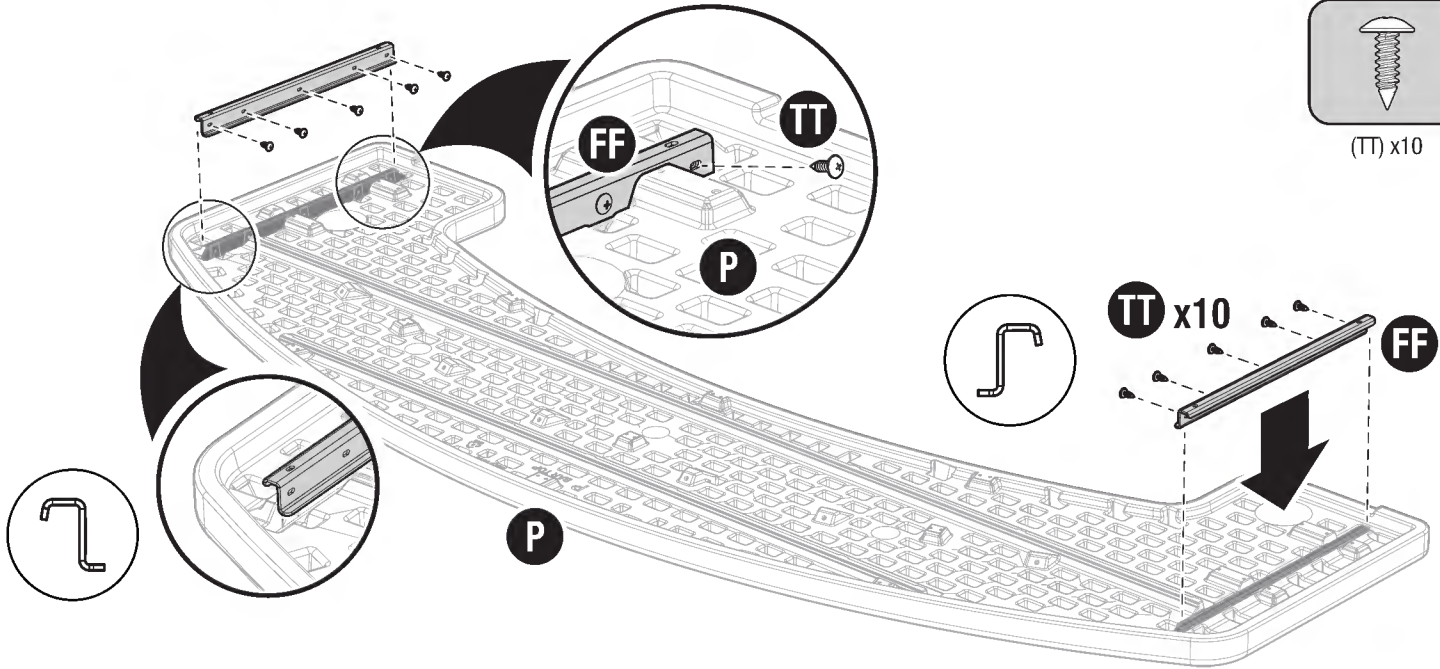
18

Using five screws each (TT), attach two 15" S-Rails (FF) to the underside of the bar top (P).

IMPORTANT: Be sure the S-Rails sit fully into their respective recessed channels. Press down continuously on the S-Rails as the screws are installed.



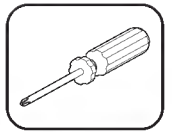
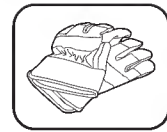
(TT) x10



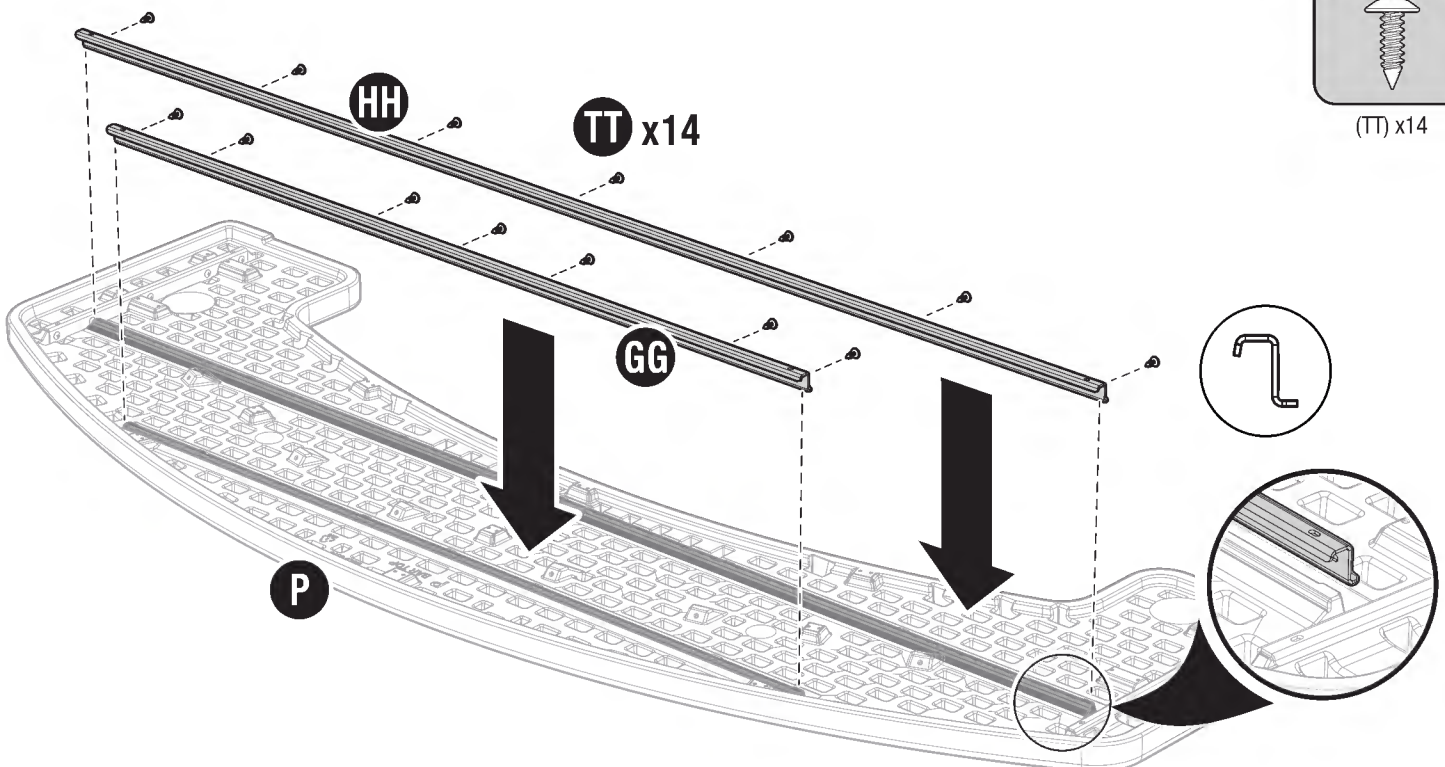
19

Using seven screws each (TT), attach one 47.5" S-Rail (GG) and one 70" S-Rails (HH) to the underside of the bar top (P).

IMPORTANT: Be sure the S-Rails sit fully into their respective recessed channels. Press down continuously on the S-Rails as the screws are installed.



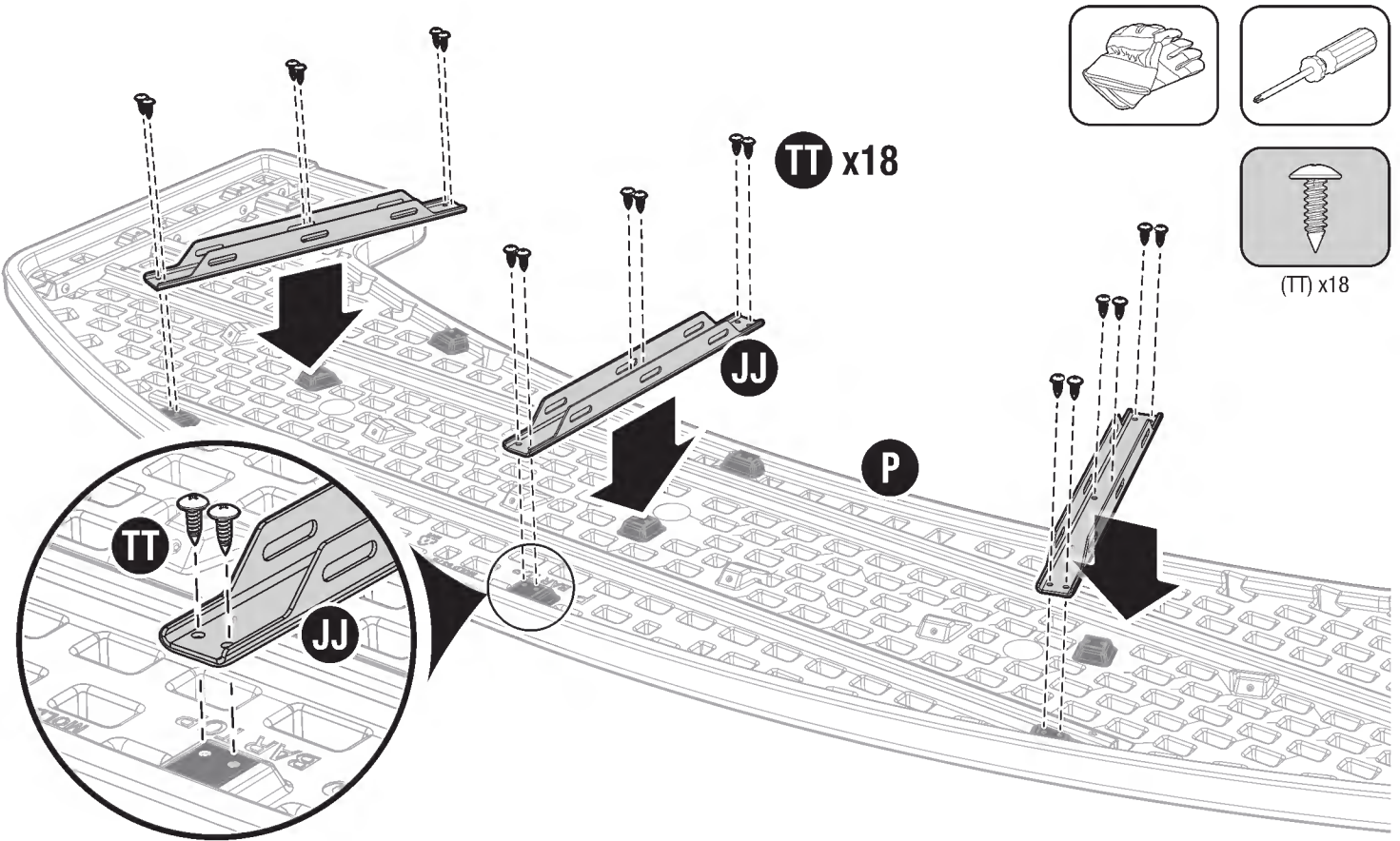
(TT) x14



Pre-Assembly - Bar Top (Cont.)

20 Using six screws each (TT), attach three bar top supports (JJ) to the underside of the bar top (P) at the locations shown.

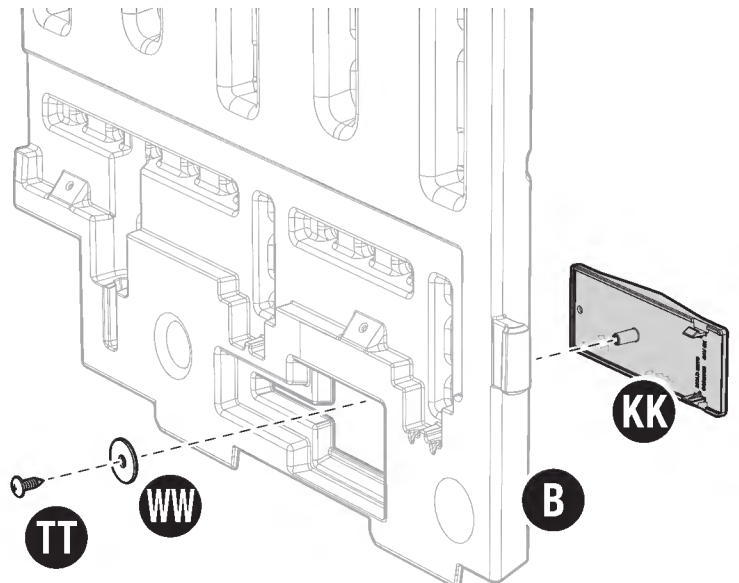
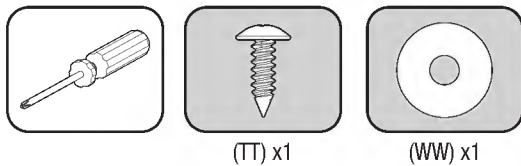
NOTE: The bar top support (JJ) mounting holes will align with the screw recesses in the underside of the bar top (P).



Pre-Assembly - Cord Slide

21 Attach the cord slide (KK) to the left side panel (B) using one screw (TT) and washer (WW).

NOTE: Do not overtighten the screw (TT). The cord slide (KK) should easily slide back and forth without much resistance.



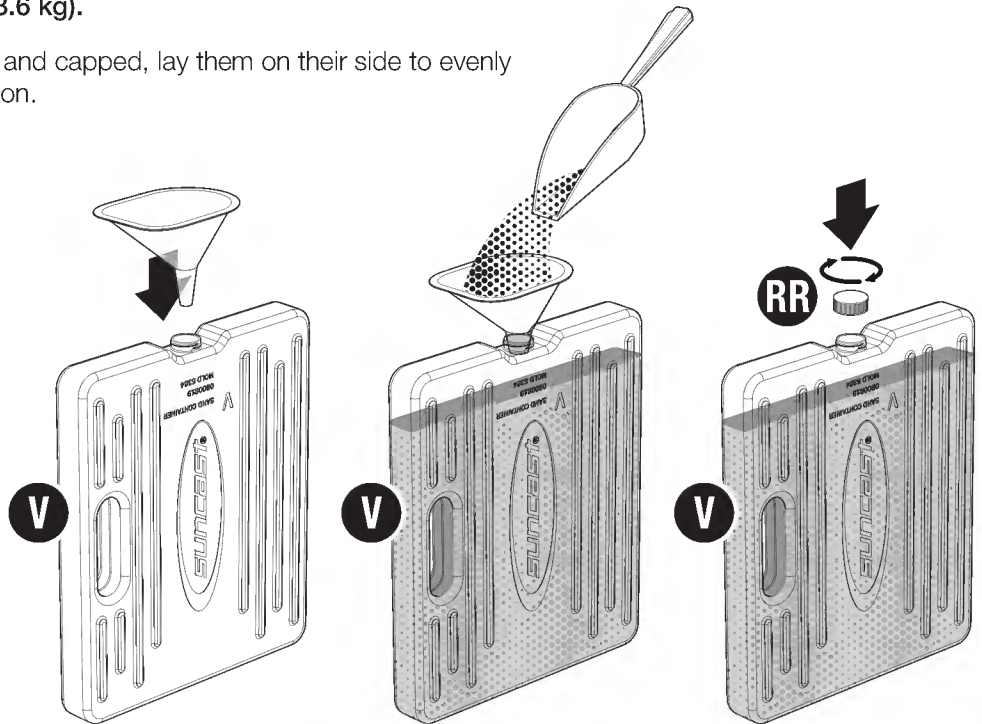
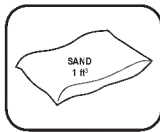
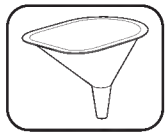
Pre-Assembly - Sand Containers

22

Using a funnel, fill the sand containers (V) with sand or pea gravel (not included). Install the sand container caps (RR) securely.

CAUTION: Do not fill sand containers to a level more than shown or to an approximate weight of 30 lbs. (13.6 kg).

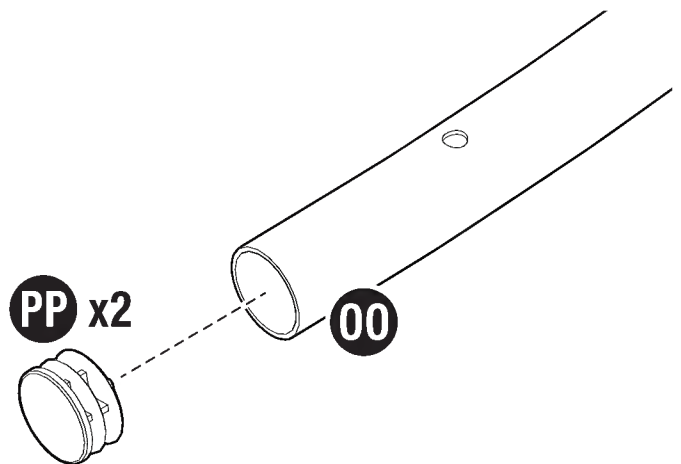
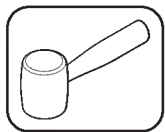
Once the sand containers are filled and capped, lay them on their side to evenly distribute the sand prior to installation.



Pre-Assembly - Footrest Cap

23

Insert one footrest cap (PP) into each end of the footrest (OO). If needed, use a rubber mallet to fully set the footrest caps.

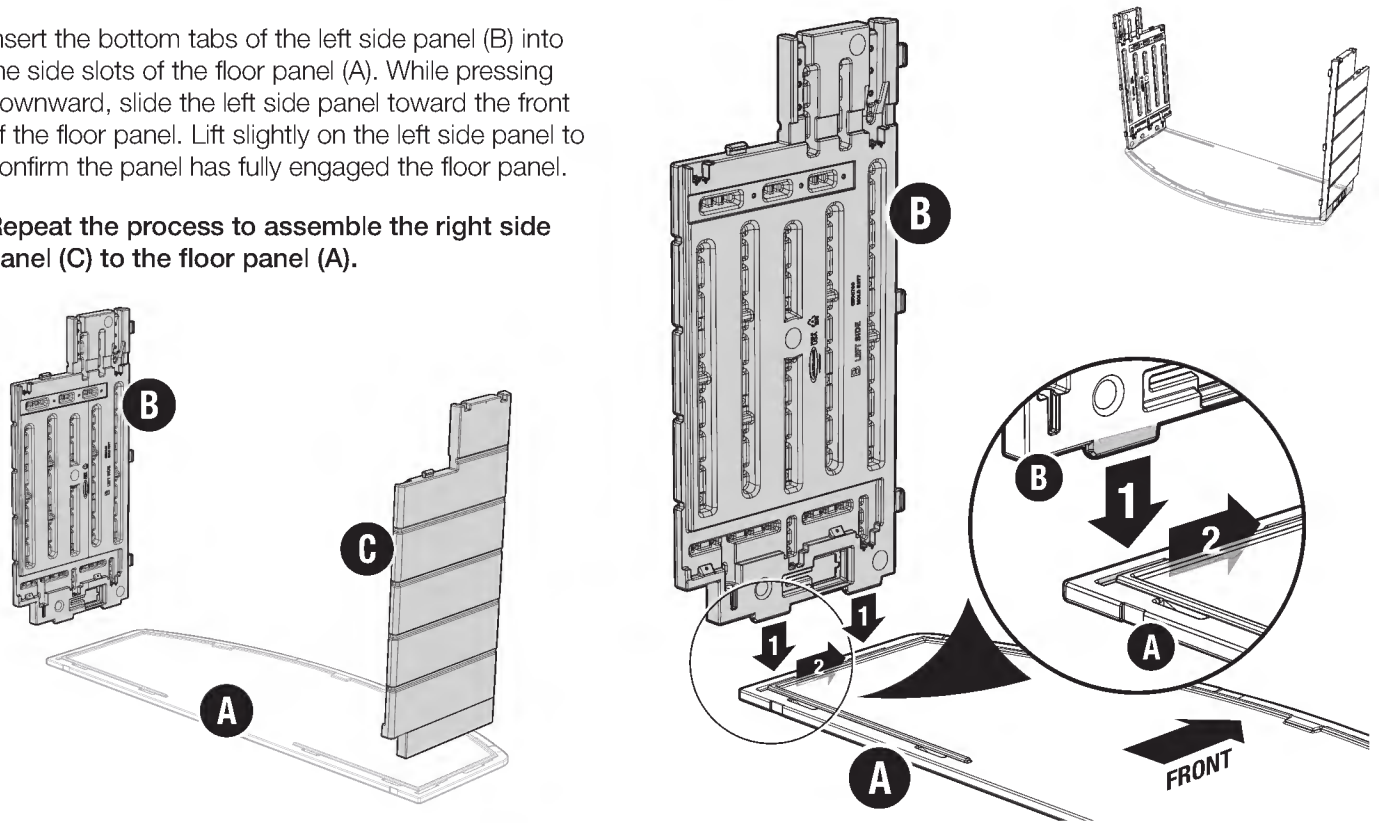


Assembly - Floor, Side & Front Panels

REMINDER: Final assembly of this product should take place at or near the desired location for use.

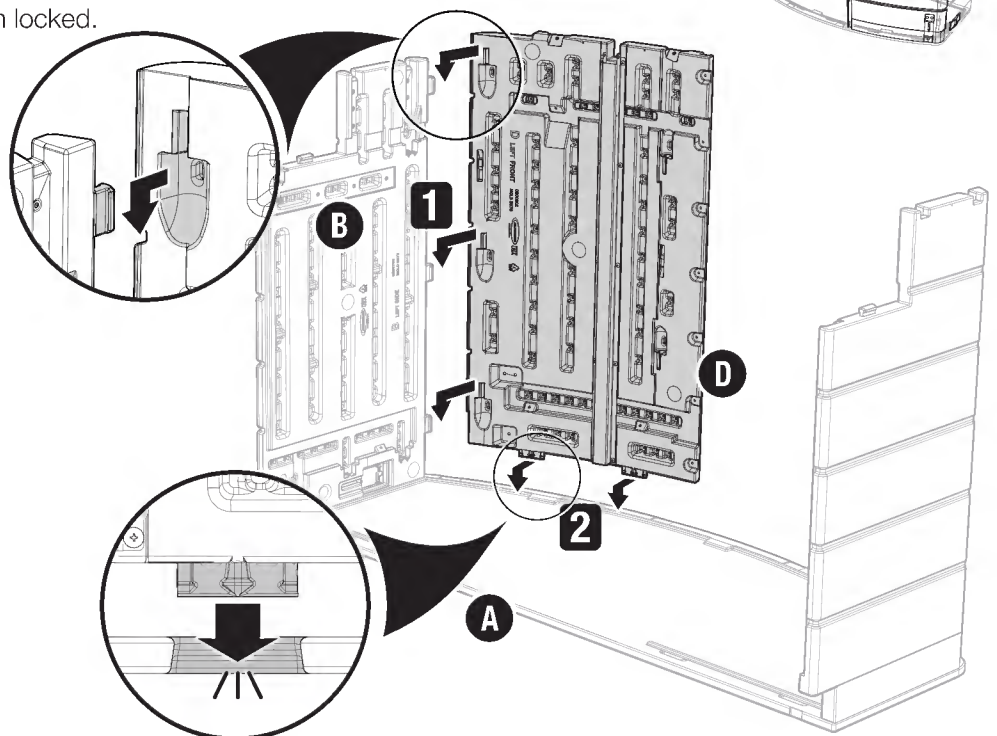
- 24** Insert the bottom tabs of the left side panel (B) into the side slots of the floor panel (A). While pressing downward, slide the left side panel toward the front of the floor panel. Lift slightly on the left side panel to confirm the panel has fully engaged the floor panel.

Repeat the process to assemble the right side panel (C) to the floor panel (A).



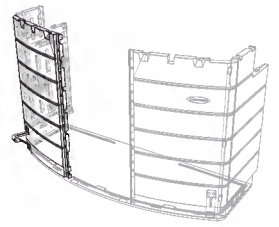
- 25** 1) Align the three slots in the left front panel (D) with the tabs on the left side panel (B).
2) Slide the left front panel downward while inserting the tabs of the left front panel into the slots in the floor panel (A). Press the left front panel downward firmly to lock the tabs.

NOTE: The tabs should snap when locked.

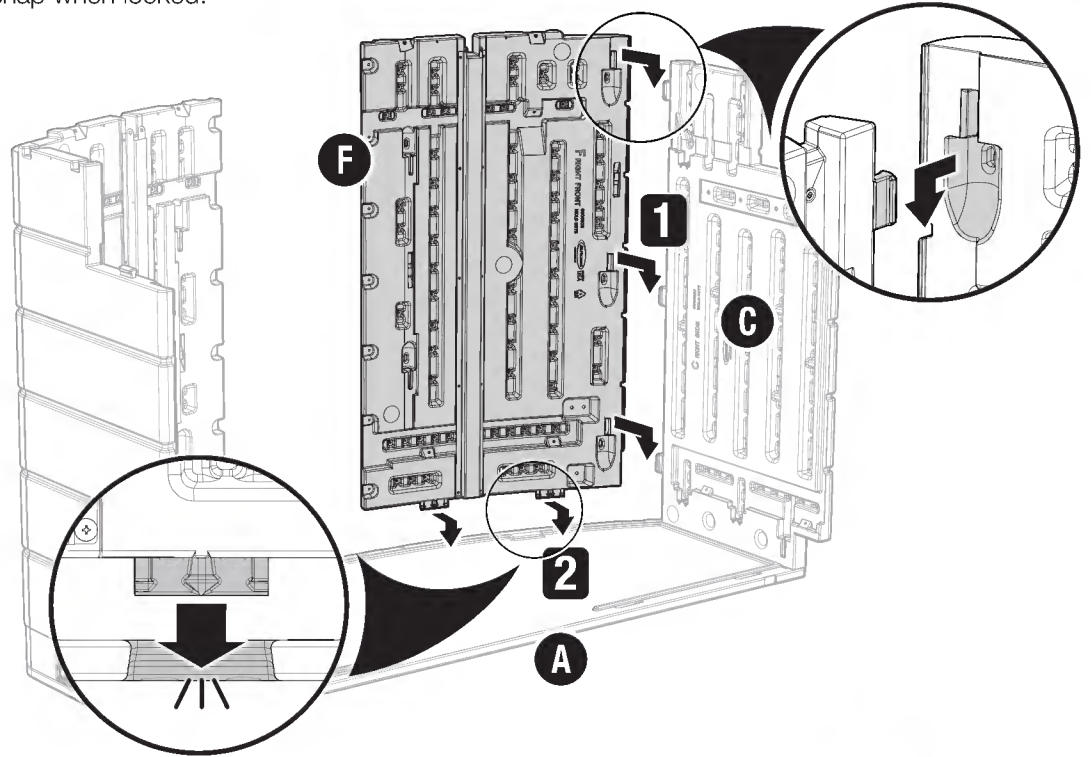


26

- 1) Align the three slots on the right front panel (F) with the tabs on the right side panel (C).
- 2) Slide the right front panel downward while inserting the tabs of the right front panel into the slots in the floor panel (A). Press the right front panel downward firmly to lock the tabs.



NOTE: The tabs should snap when locked.

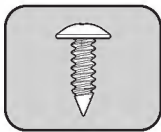
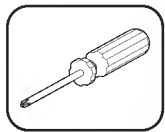
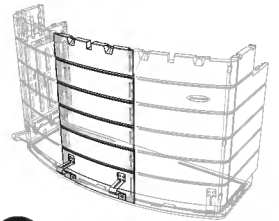


27

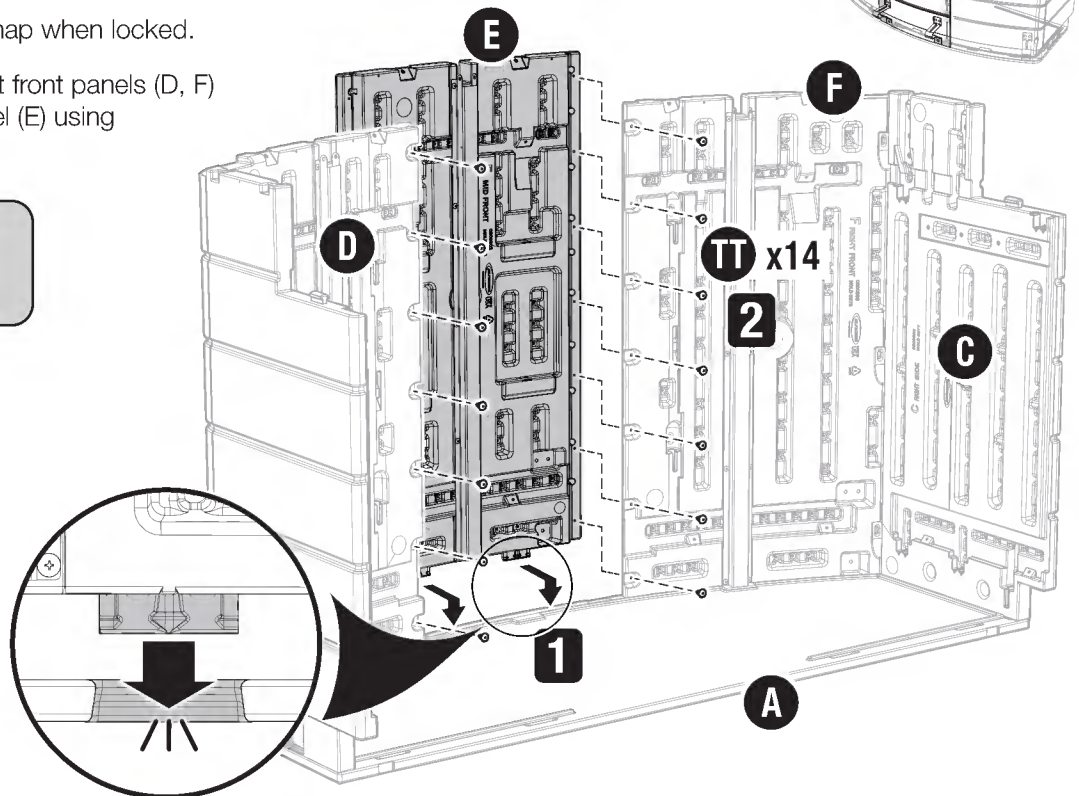
- 1) Align the middle front panel (E) with the left and right front panels (D, F). Snap the tabs of the middle front panel into the slots in the floor panel (A). Press the middle front panel downward firmly to lock the tabs.

NOTE: The tabs should snap when locked.

- 2) Secure the left and right front panels (D, F) to the middle front panel (E) using 14 screws (TT).



(TT) x14



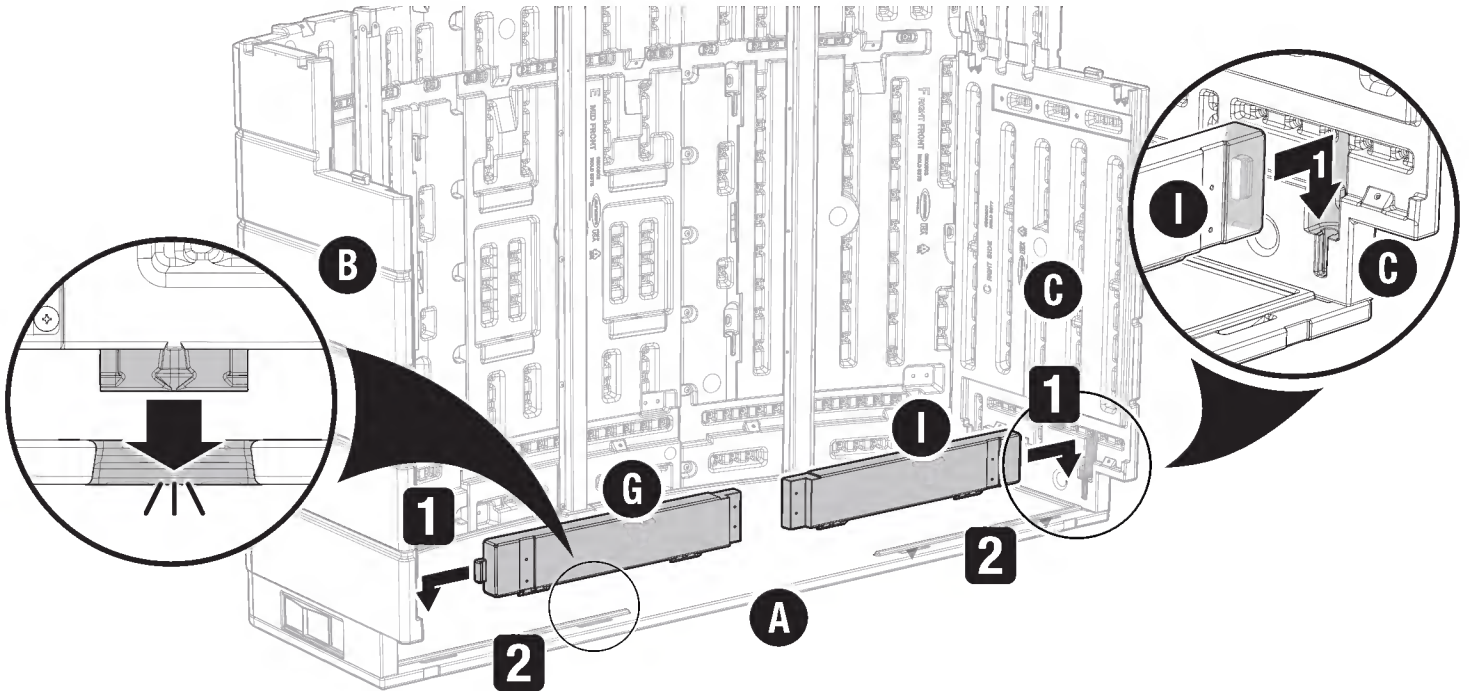
Assembly - Toe Kicks

28

- 1) Insert the side tab of the right toe kick (I) into the slot on the inside of the right side panel (C).
- 2) Slide the right toe kick down while inserting the bottom tabs into the locking slots in the floor panel (A).

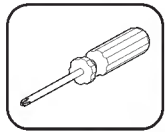
NOTE: Press the right toe kick (I) downward firmly to lock the tabs. The tabs should snap when locked.

Repeat the process to assemble the left toe kick (G) to the left side panel (B) and floor panel (A).

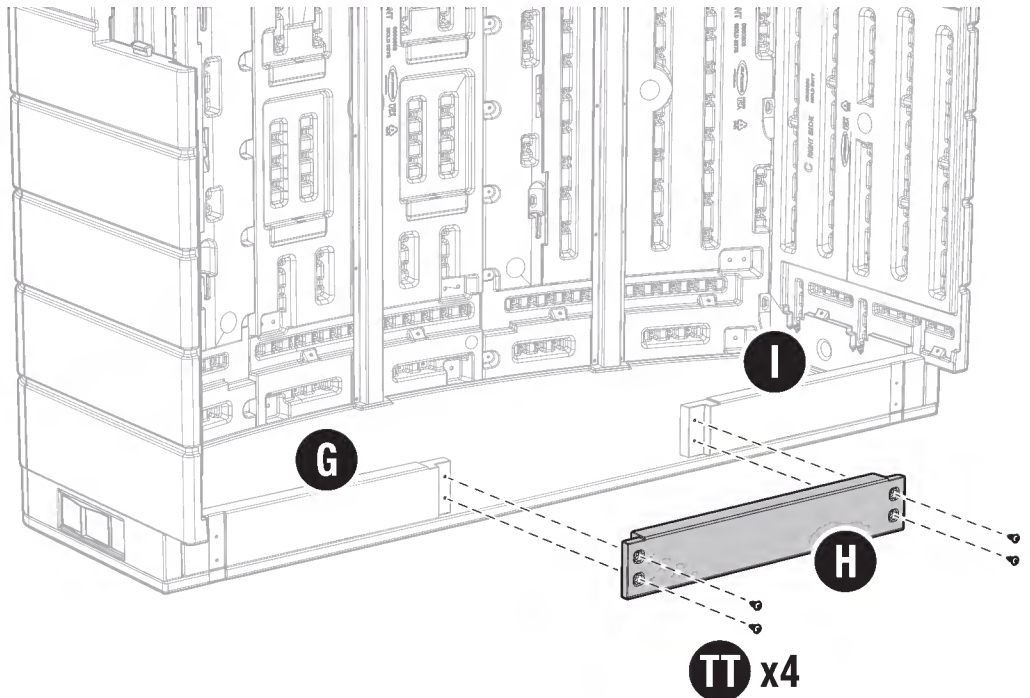


29

Using four screws (TT), secure the middle toe kick to the right and left toe kicks (G, I) .

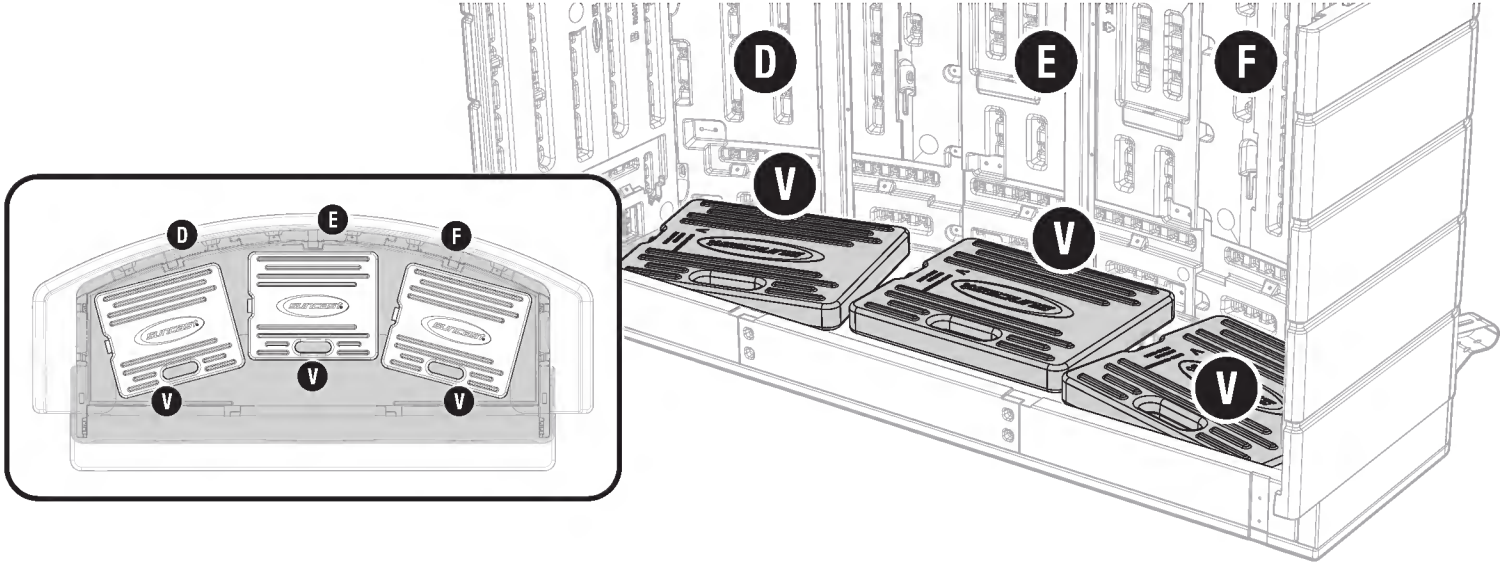


(TT) x4



Assembly - Sand Containers

- 30** **IMPORTANT:** Do not use this product without the sand containers filled and properly placed in the base.
- NOTE:** Be sure the product is located in the desired location for use prior to inserting the sand containers (V) into the base. Place filled sand containers (V) into the base as shown. The sand containers should be positioned against the front panels (D, E, F).

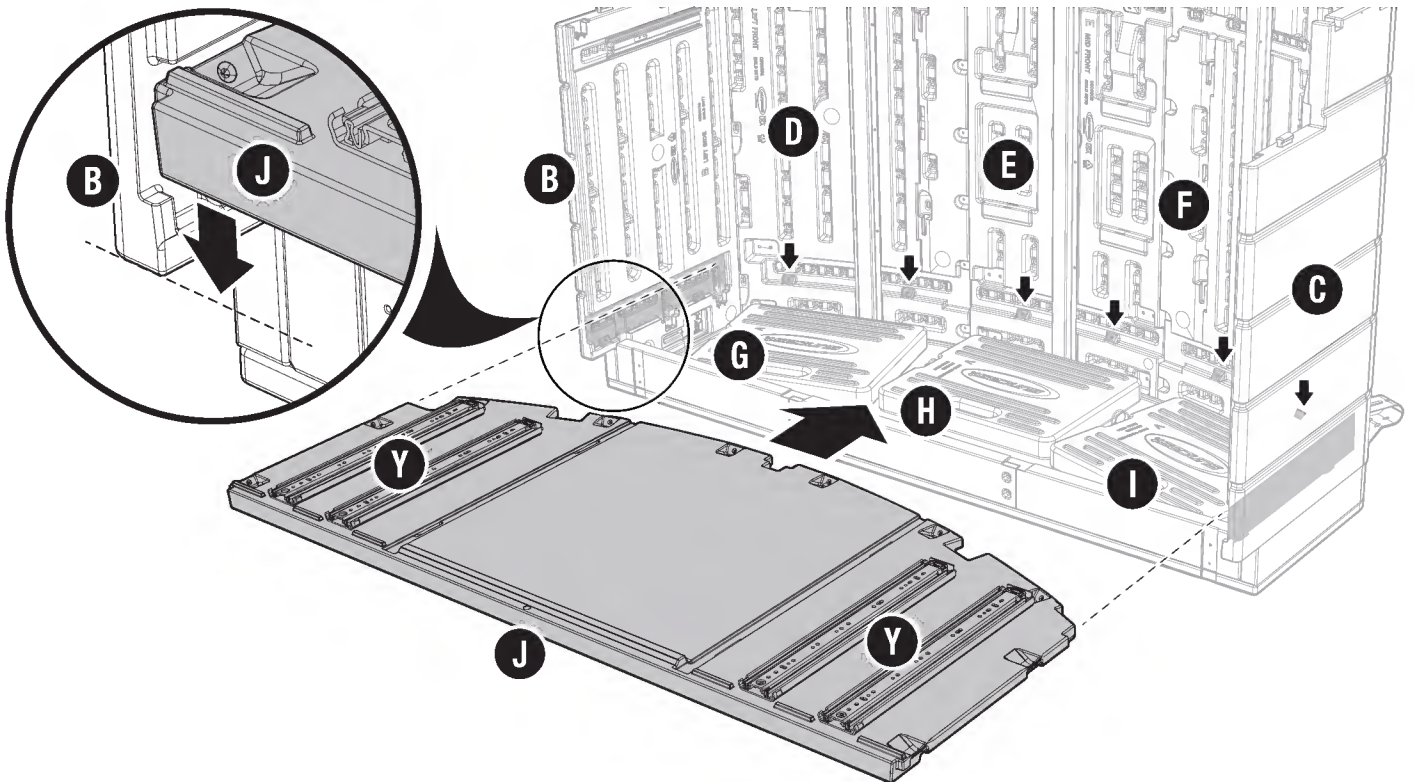


Assembly - Cabinet Floor

- 31** With the drawer glides (Y) facing up, slide the cabinet floor (J) into position over the toe kicks (G, H, I) and against the front panels (D, E, F). Lower the rear edge of the cabinet floor (J) until it locks into the side panels (B, C).

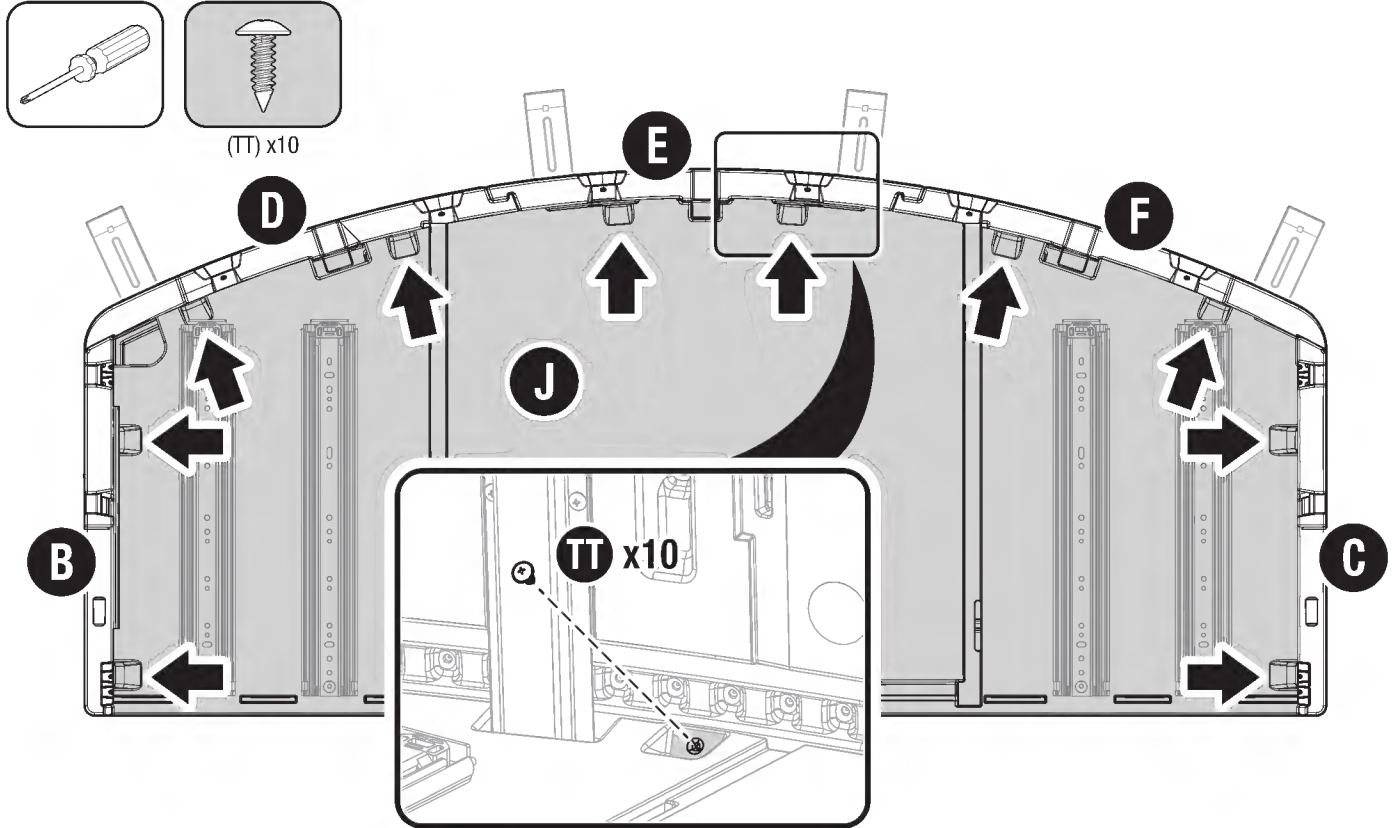


CAUTION: Be careful of the installed drawer glides (Y) while moving the cabinet floor (J).



Assembly - Cabinet Floor (Cont.)

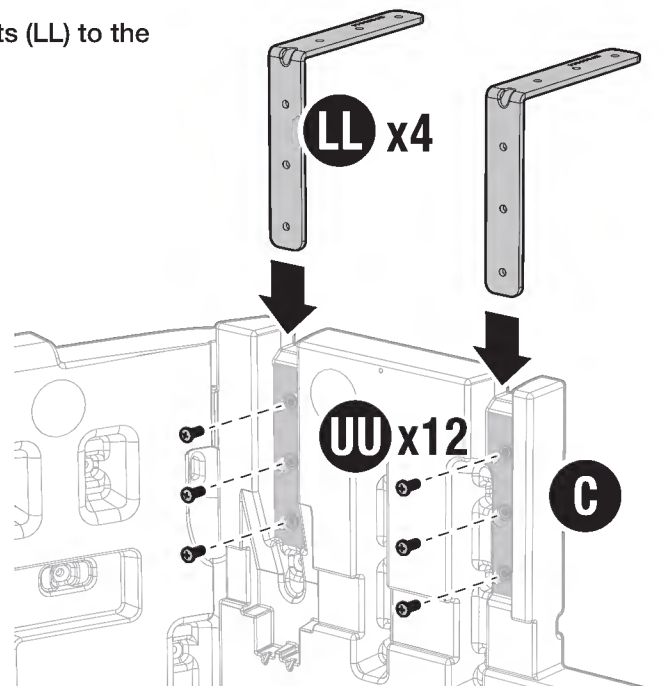
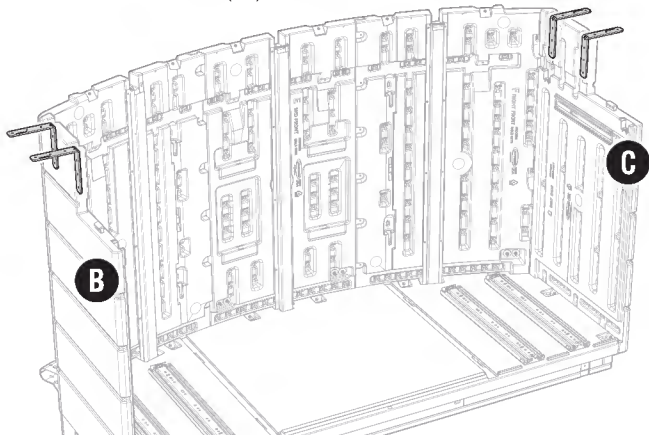
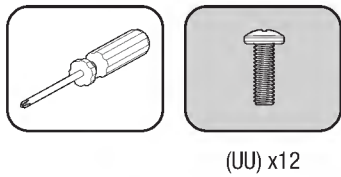
32 Using ten screws (TT), secure the cabinet floor to the right and left side panels (B, C) as well as the front panels (D, E, F).



Assembly - Bar Top Supports

33 Using three screws each (UU), secure two angle supports (LL) to the right side panel (C).

Repeat the process to secure two additional angle supports (LL) to the left side panel (B).

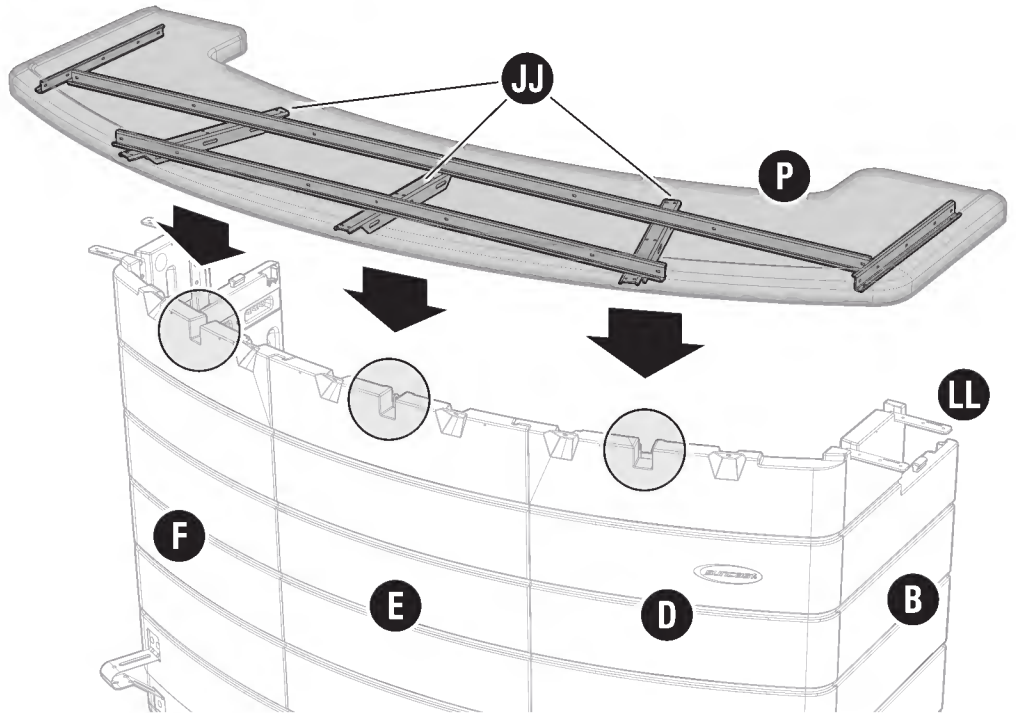


Assembly - Bar Top

34

With the help of another person, position the bar top (P) over the front panels (D, E, F) and bar top angle brackets (LL).

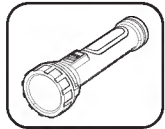
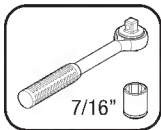
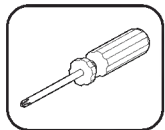
NOTE: Be sure the three bar top supports (JJ) (shown for clarity) align with the cutouts at the top of the front panels (D, E, F).



35

Install one bolt (ZZ) and nut (XX) through one bar top support (JJ) and front panel side adapter (CC) connection. Tighten the bolt and nut securely.

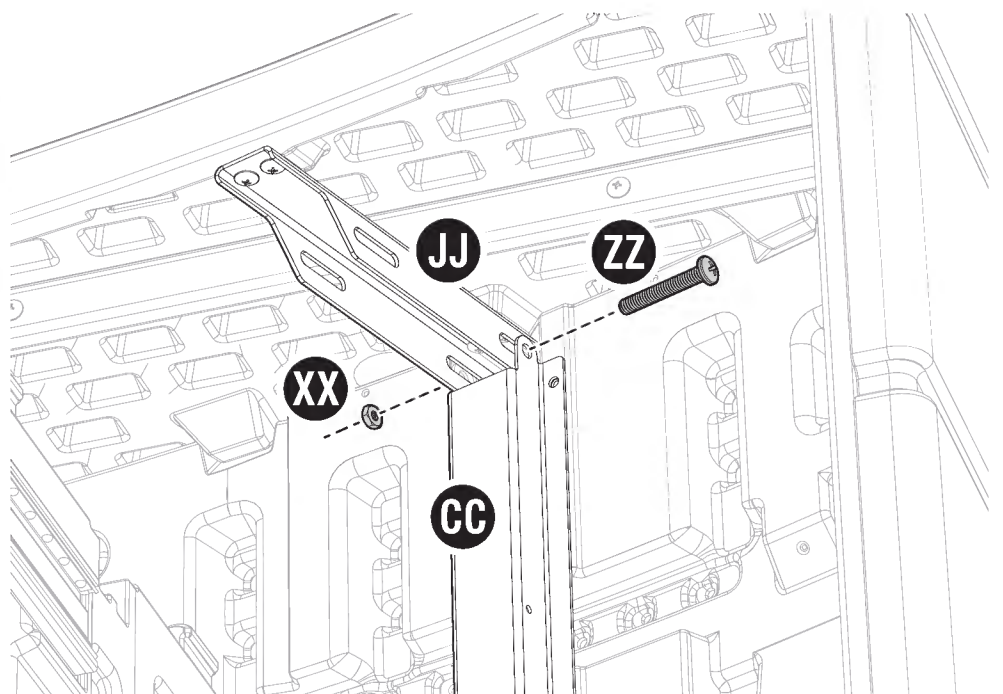
Repeat the process for the remaining two bar top supports (JJ) to the front panel side adapters (CC).



(ZZ) x3



(XX) x3

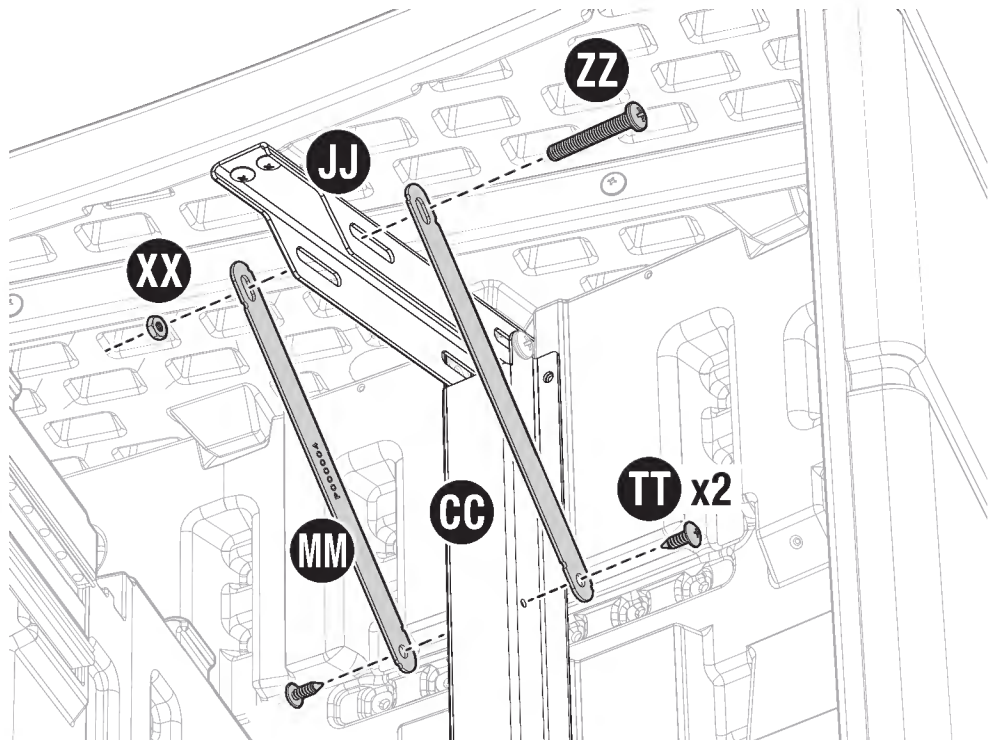
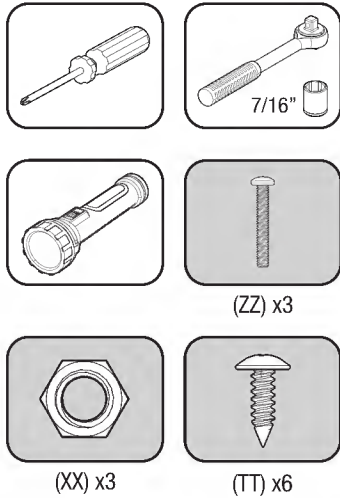


Assembly - Bar Top (Cont.)

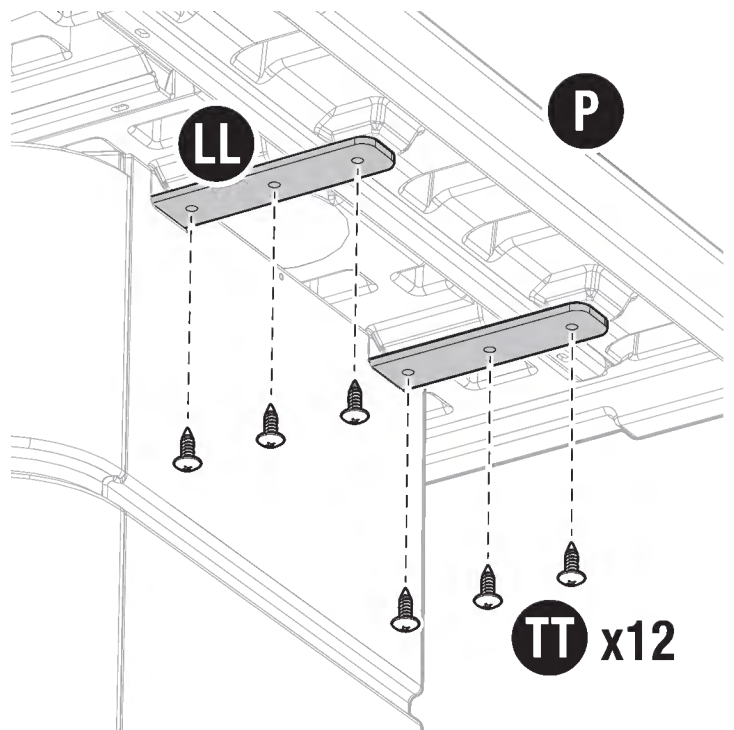
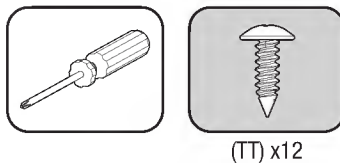
36 Install one support brace (MM) to both sides of one bar top support (JJ) and front panel side adapter (CC) using one bolt (ZZ) and one nut (XX). Leave the bolt and nut loose at this time allowing the support braces (MM) to hang freely.

Secure the bottoms of the support braces (MM) to the front panel side adapter (CC) using two screws (TT). After the screws are secured to the front panel side adapter, tighten the previously installed bolt (ZZ) and nut (XX) securely.

Repeat the process for the remaining two bar top supports (JJ) to the front panel side adapters (CC).

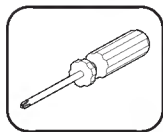


37 Using three screws each (TT), secure the bar top (P) to each of the four angle support (LL).

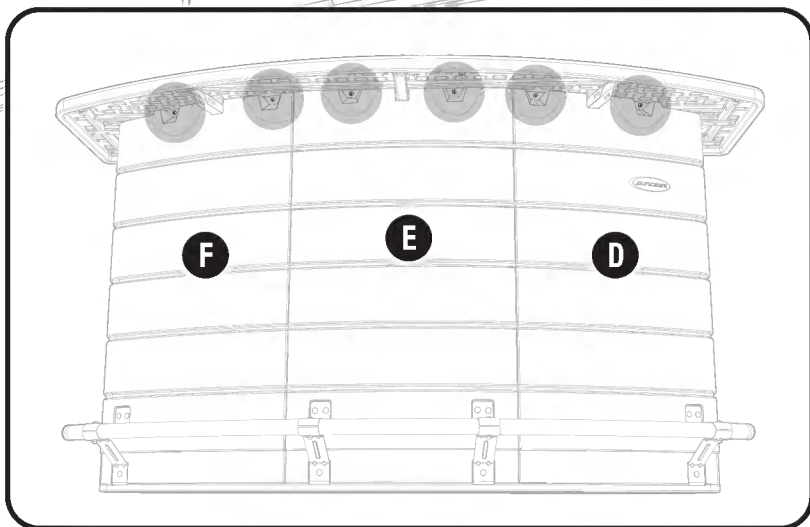
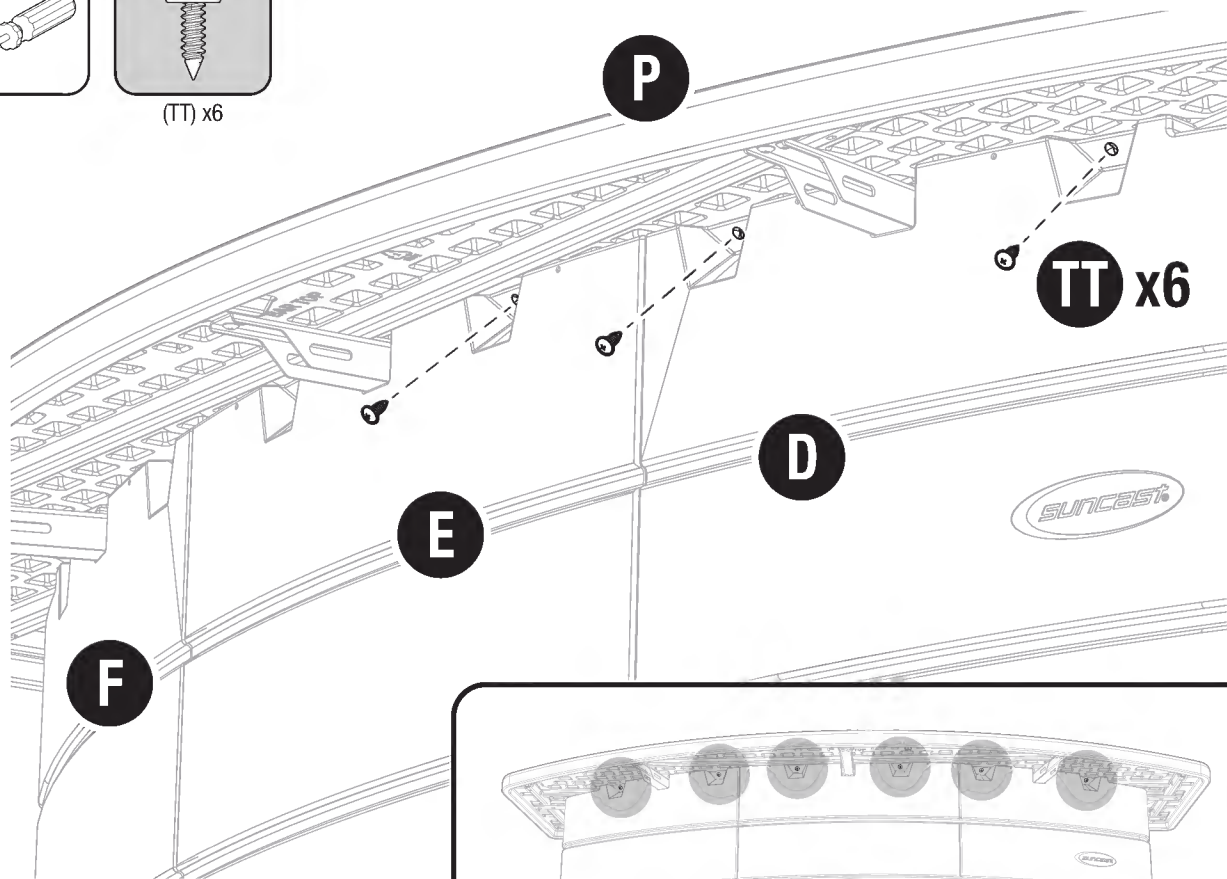


38

Using six screws (TT) secure the bar top (P) to the front panels (D, E, F).



(TT) x6

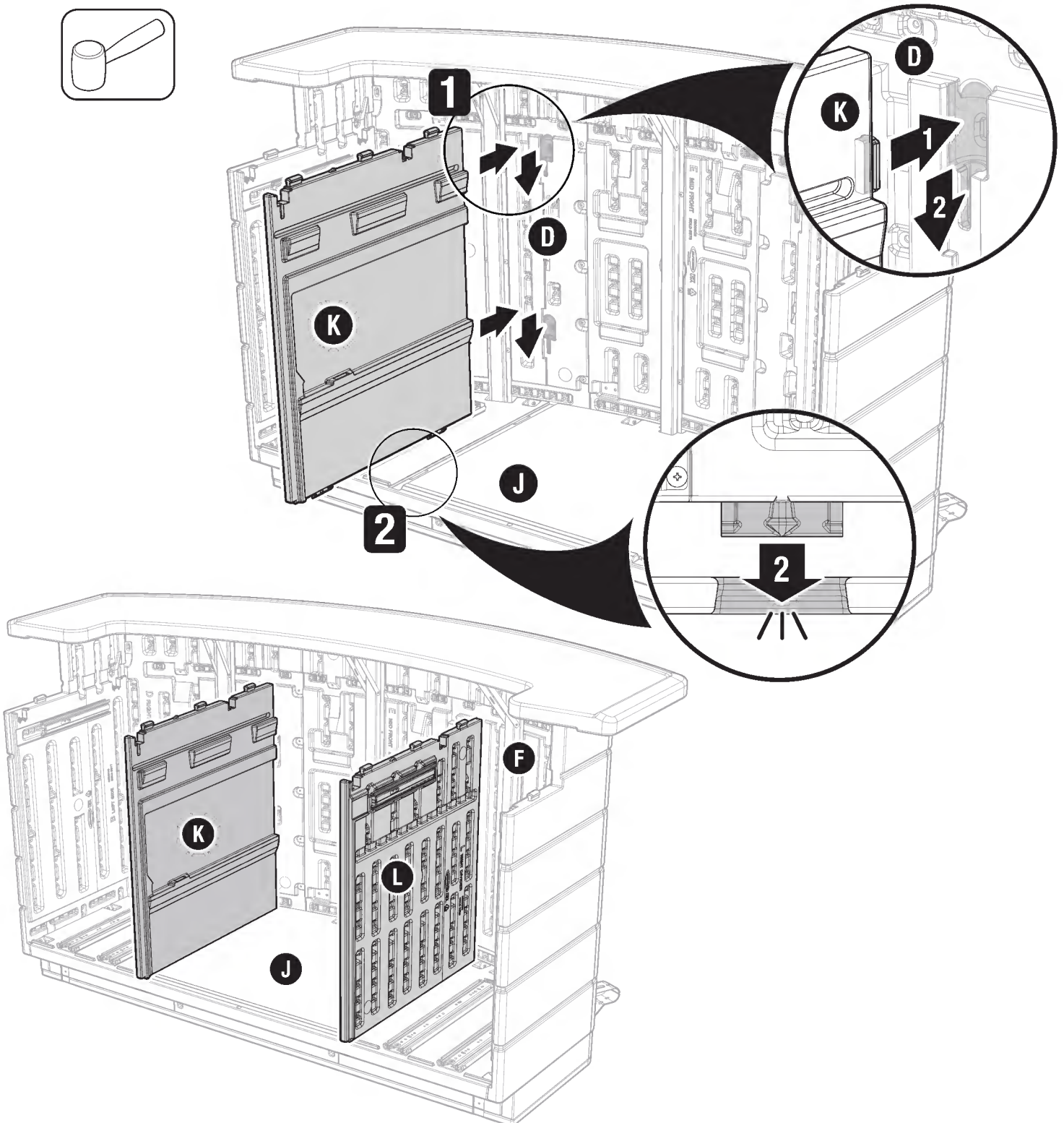
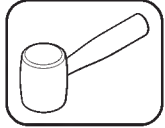


Assembly - Dividers

- 39** 1) Align the side tabs of the left divider panel (K) with the slots in the left front panel (D).
2) Slide the left divider panel downward while inserting the bottom tabs of the right divider panel into the slots in the cabinet floor (J).

NOTE: Press the left divider panel (K) downward firmly to lock the tabs. The tabs should snap when locked.

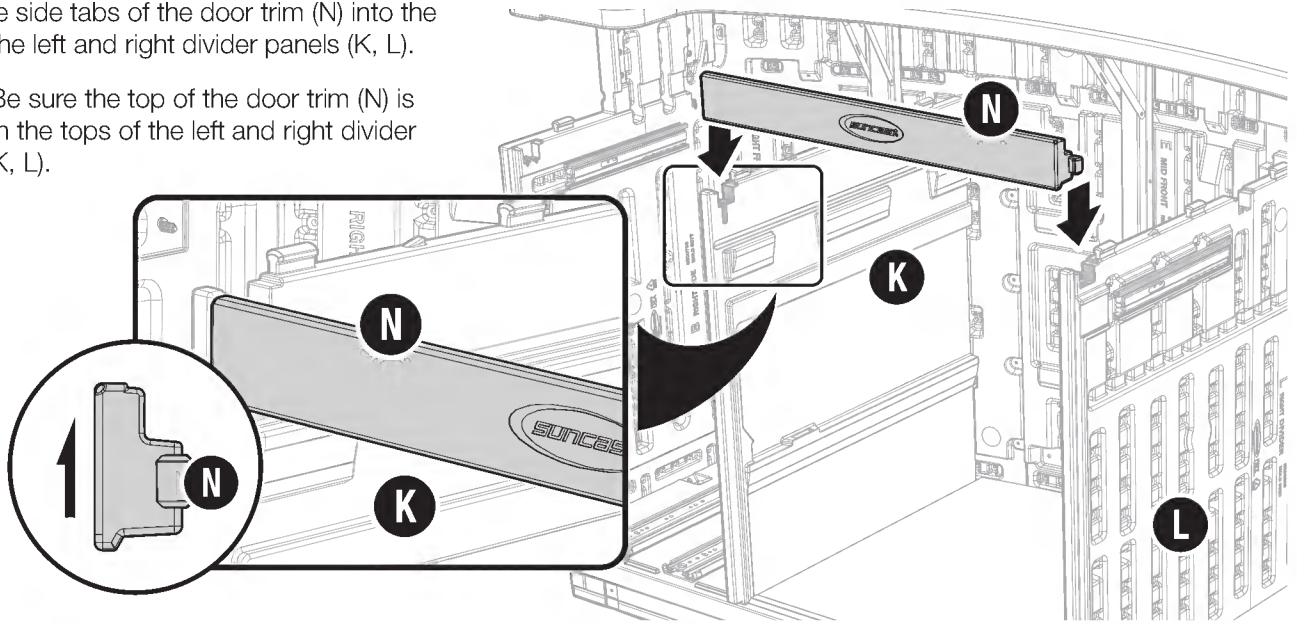
Repeat the process to install the right divider panel (L) to the right front panel (F) and cabinet floor (J).



Assembly - Door Trim

- 40** Insert the side tabs of the door trim (N) into the slots in the left and right divider panels (K, L).

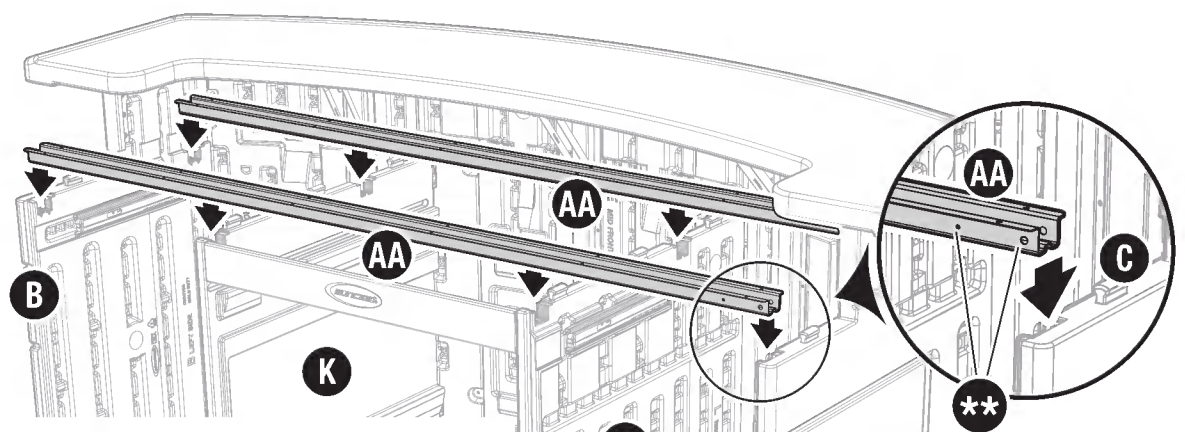
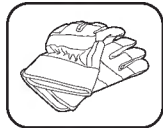
NOTE: Be sure the top of the door trim (N) is flush with the tops of the left and right divider panels (K, L).



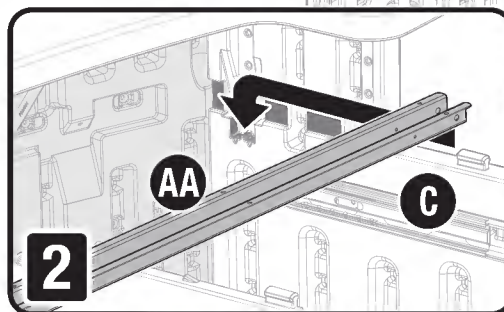
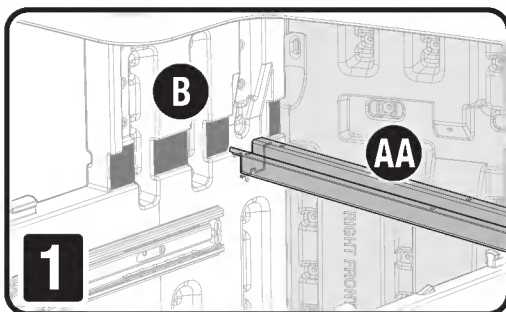
Assembly - Counter Top

- 41** Place two truss legs (AA) into the top slots across the left and right side panels (B, C) and dividers (K, L). Be sure the truss legs lay flush with the tops of the left and right side panels and dividers.

IMPORTANT: Orientation of the truss legs (AA) is important. Be sure to orient the truss legs with the ends having two holes (***) positioned at the end over the right side panel (C) as shown.



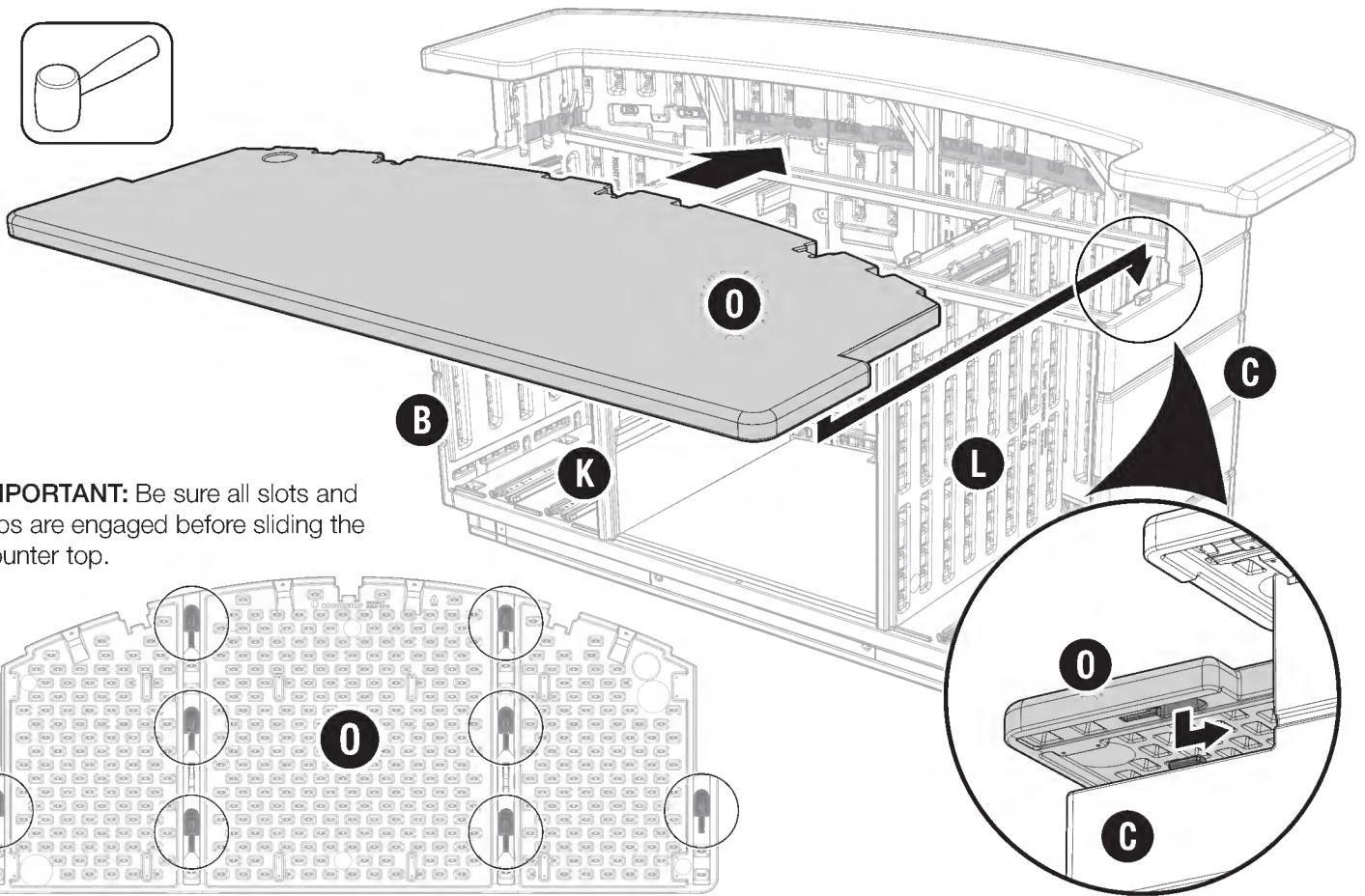
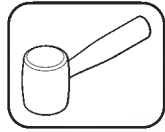
HINT: When installing the inner truss leg (AA), 1) insert the left end into the inner recess of the left side panel (B) and then 2) rotate the right end into the inner recess of the right side panel (C).



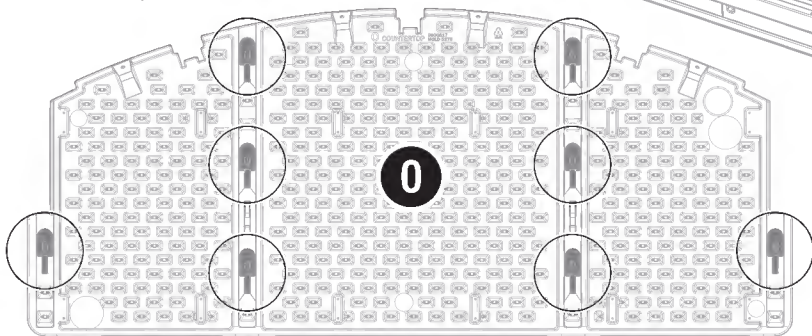
Assembly - Counter Top (Cont.)

42

With the help of another person, position the counter top (O) over the left and right side panels (B, C) and dividers (K, L). Align the slots on the underside of the counter top with the top tabs of the left and right side panels and dividers. Lower the counter top onto the tabs and slide the counter top forward to contact the front panels (D, E, F).

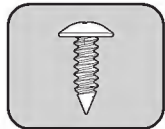
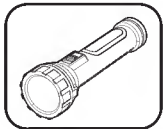
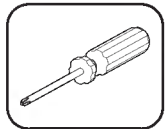


IMPORTANT: Be sure all slots and tabs are engaged before sliding the counter top.

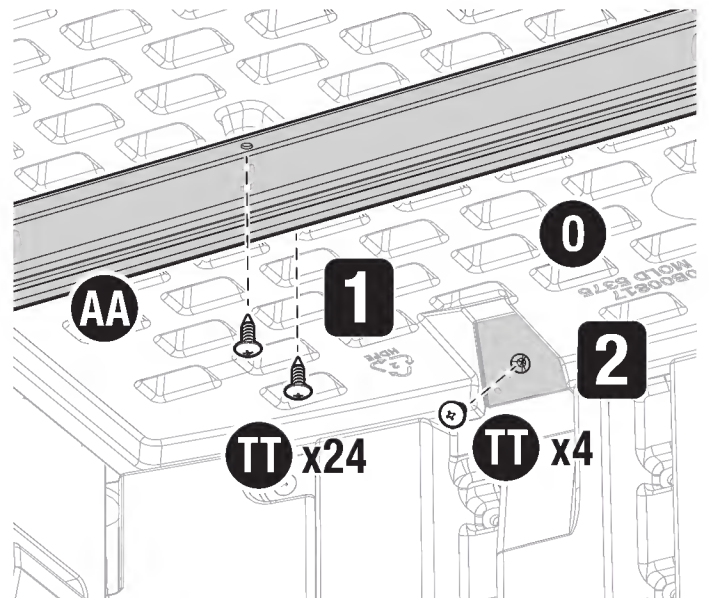
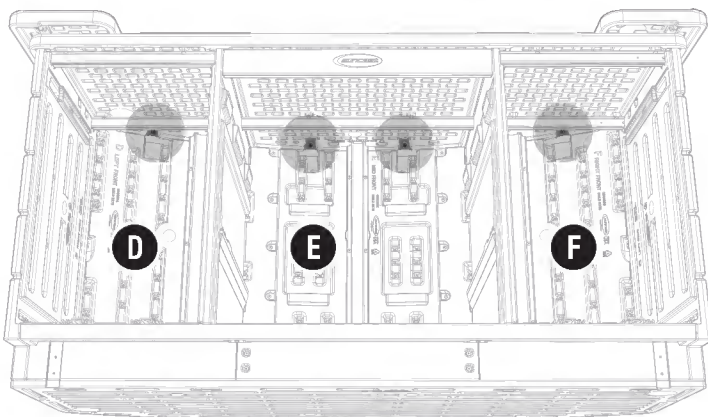


43

- 1) Secure the counter top (O) to the two truss legs (AA) using 24 screws (TT).
- 2) Secure the counter top (O) to the front panels (D, E, F) using 4 screws (TT).

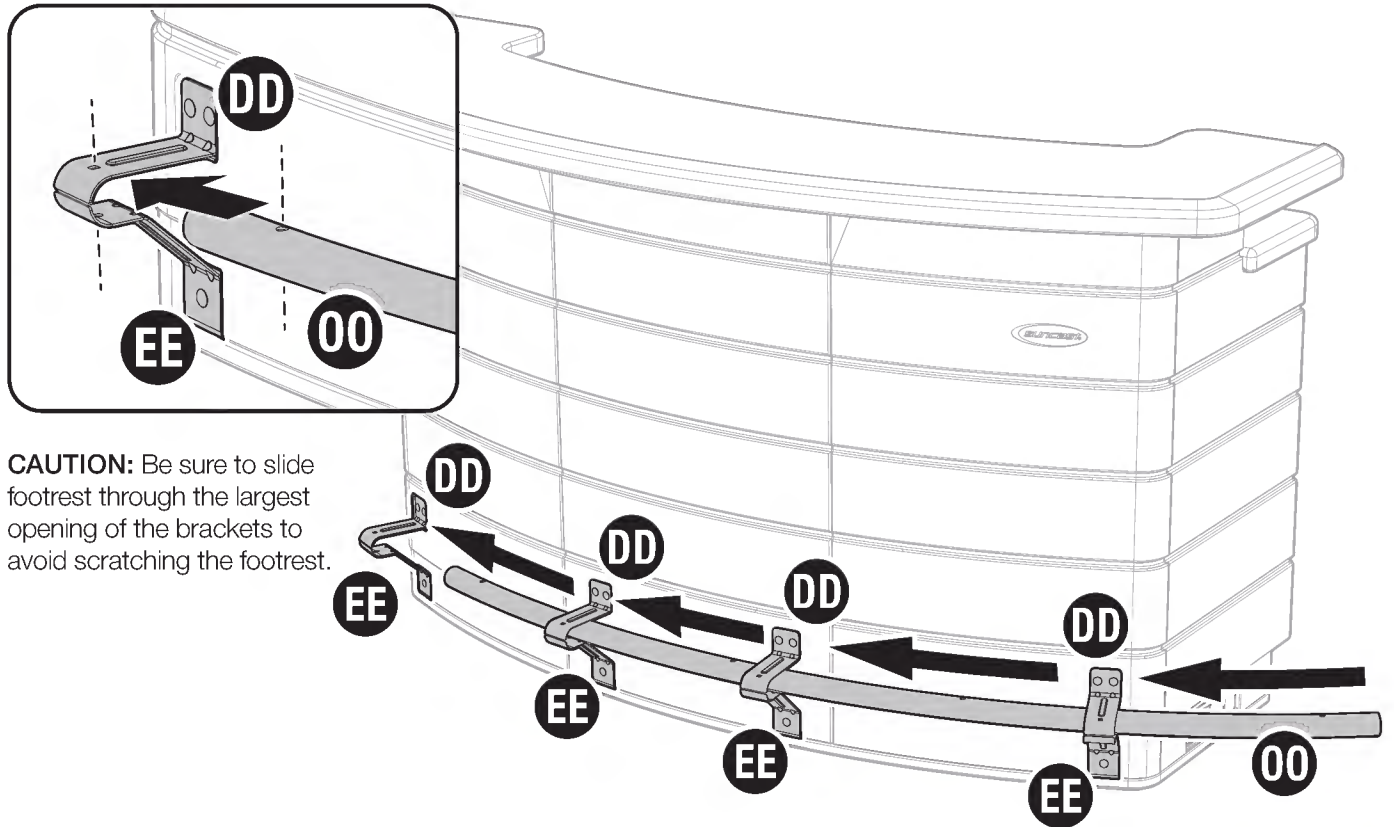


(TT) x28



Assembly - Footrest

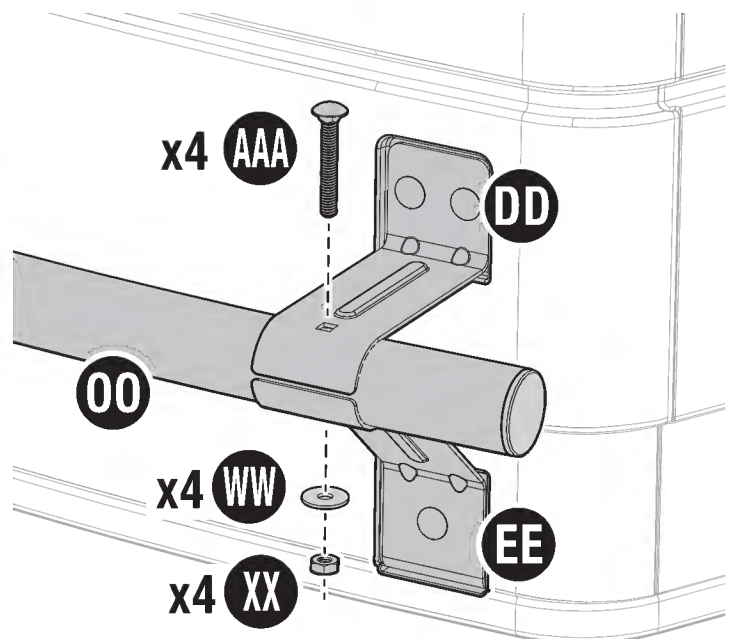
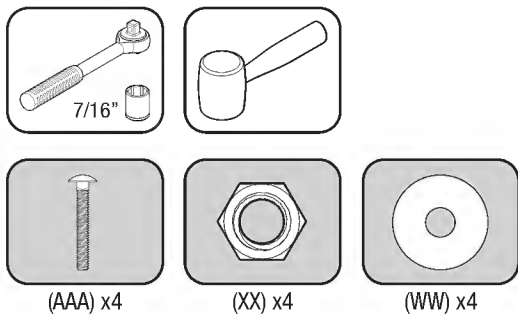
- 44** Carefully slide the footrest (OO) through the large open areas at the rear of the footrest brackets (DD, EE). Once positioned through the four footrest brackets, move the footrest forward to align the mounting holes in the footrest with the holes in the footrest brackets.



CAUTION: Be sure to slide footrest through the largest opening of the brackets to avoid scratching the footrest.

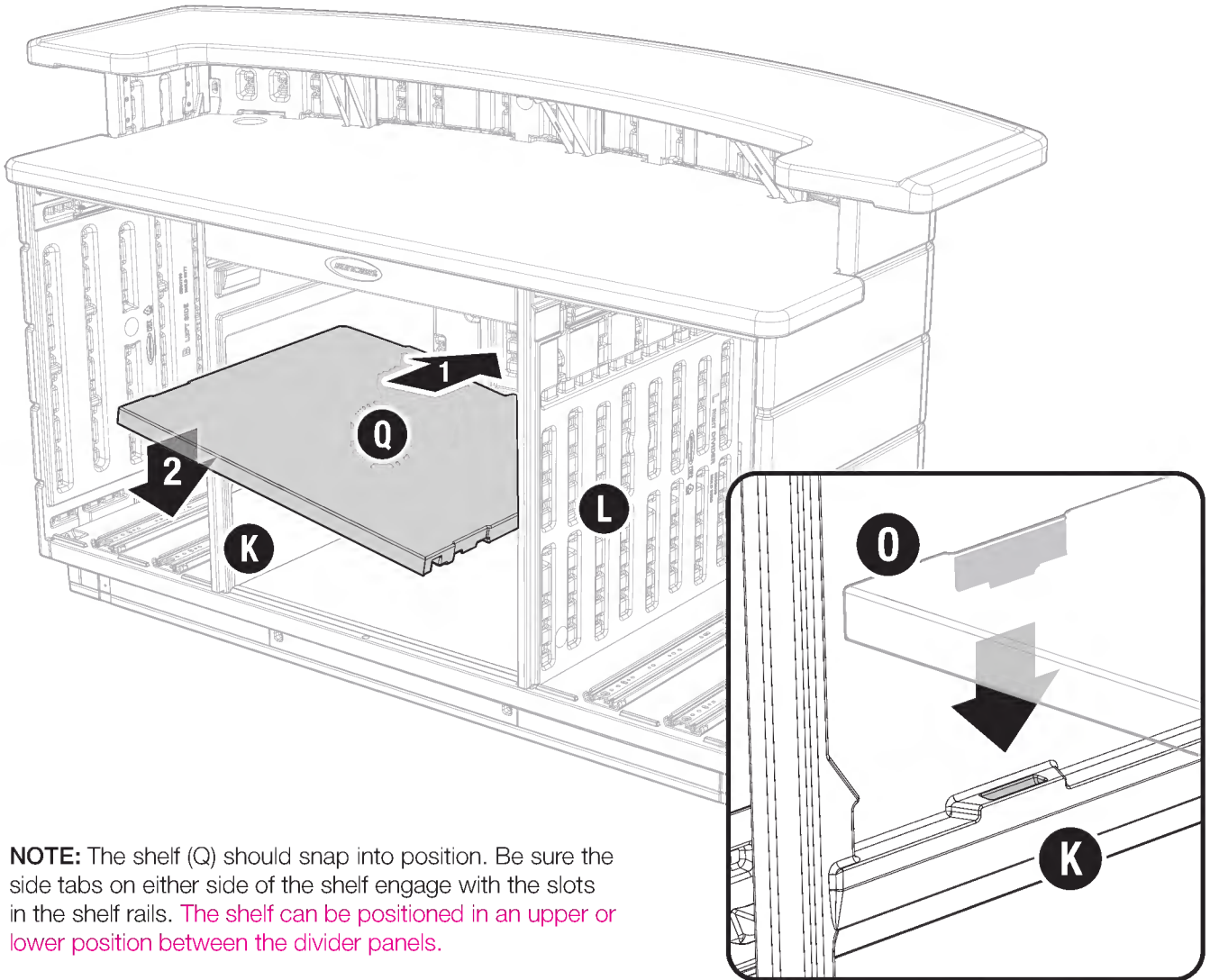
- 45** Secure the footrest (OO) to one footrest bracket (DD, EE) using one bolt (AAA), washer (WW) and nut (XX). Tighten the nut securely. Do not overtighten.

Repeat for the remaining 3 footrest brackets (DD, EE).



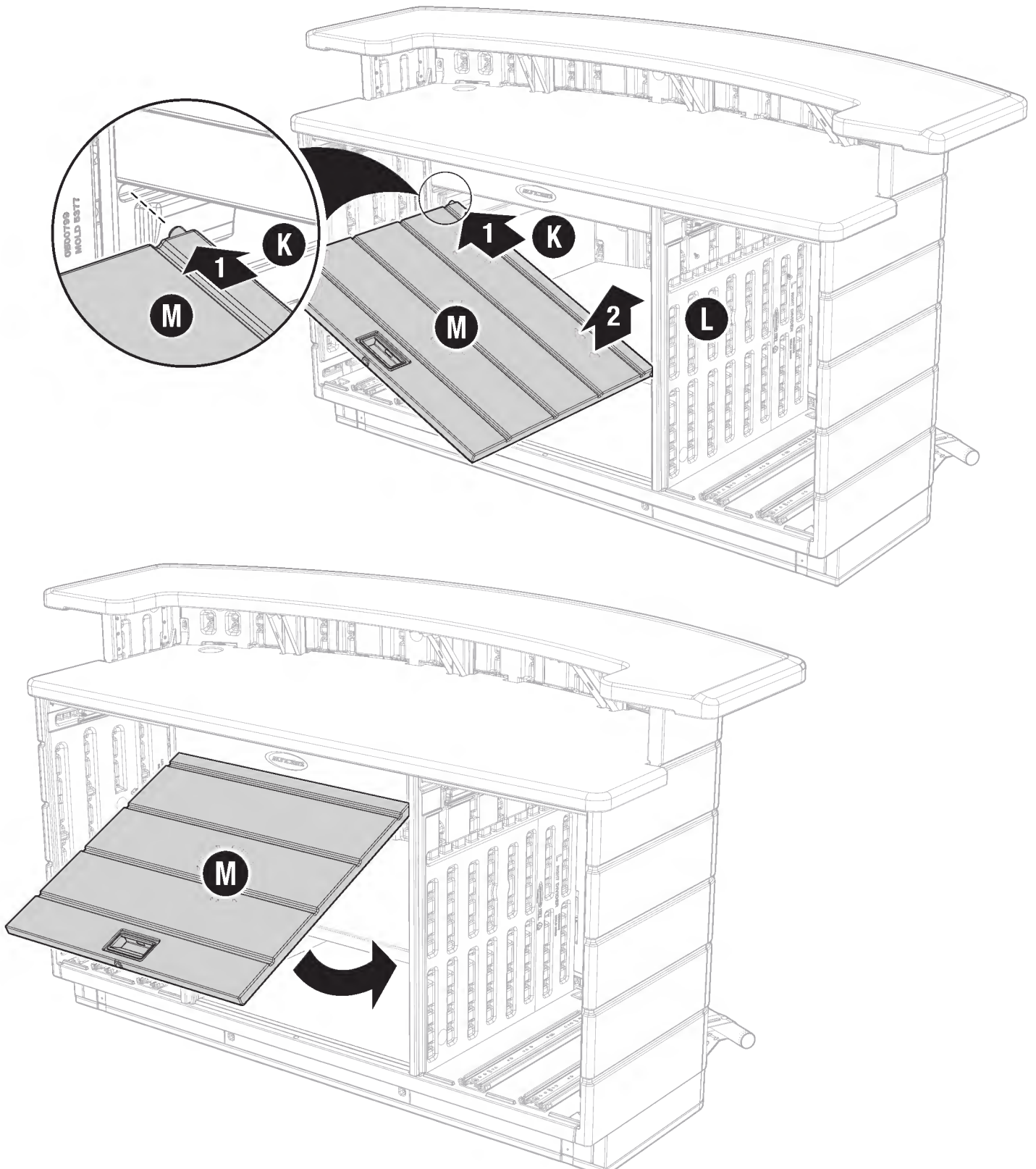
Assembly - Shelf, Door & Drawers

- 46** While holding the shelf (Q) at a slight angle, slide the shelf between the left and right divider panels (K, L) toward the front panels. Once fully inserted, tilt the shelf level and lower the shelf into position onto the shelf rails molded into the divider panels.



47 Position the left post of the door (M) into the glide slot located near the top of the left divider panel (K). While maintaining the post location, pivot the right side of the door upward until the right post of the door snaps into the glide slot located near the top of the right divider panel (L).

Once fully engaged with divider panels (K, L), pivot the door downward into its closed position.

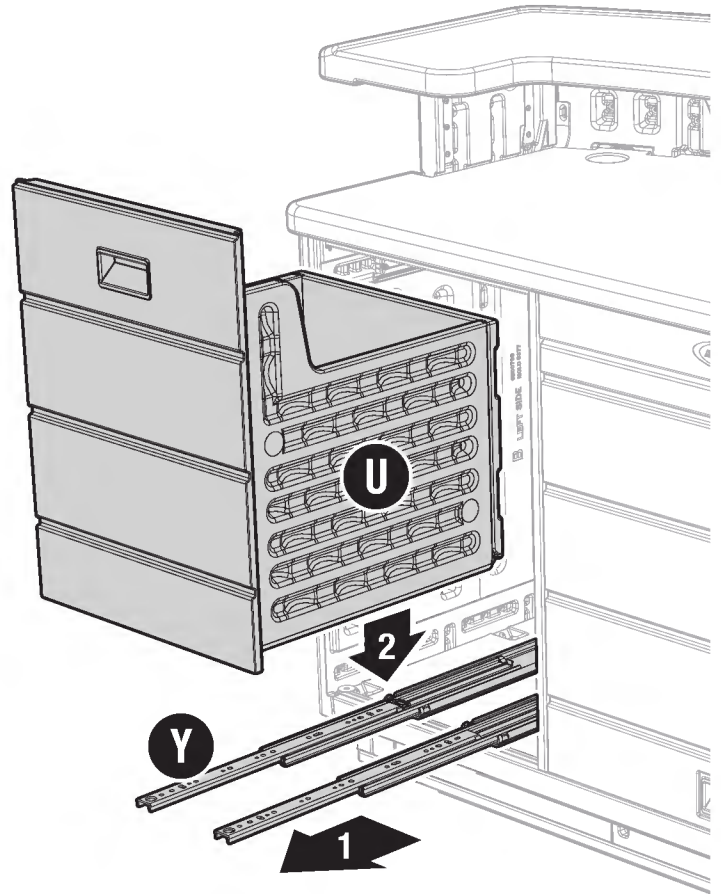


Assembly - Shelf, Door & Drawers (Cont.)

48 Fully extend the pair of large drawer glides (Y) installed on the left side of the cabinet floor (J) (remove tape if used).

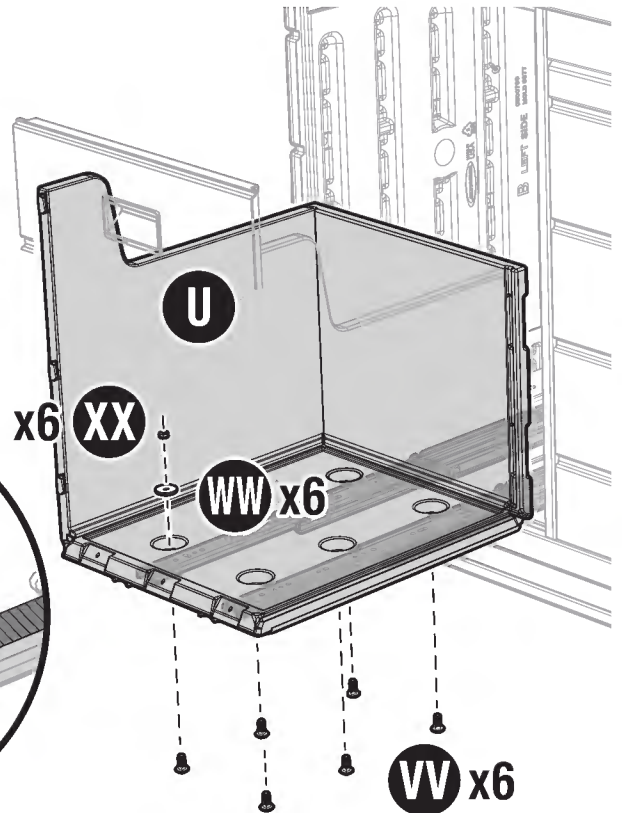
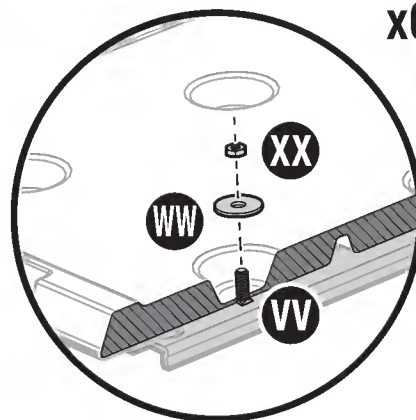
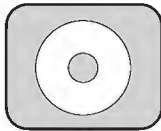
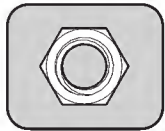
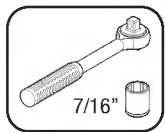
Position one large drawer assembly (U, T) onto the extended large drawer glides (Y). Align the mounting holes in the bottom of the drawer assembly with the holes in the large drawer glides.

NOTE: If not already done, pierce the six holes in the bottom of the large drawer (U) using a Phillips head screwdriver or other similar tool.



49 Secure the large drawer assembly (U, T) to the large drawer glides (Y) using six bolts (VV), washers (WW) and nuts (XX). Tighten securely. Do not overtighten.

Repeat steps 48 and 49 to install the remaining large drawer assembly (U, T) to the large drawer glides (Y) installed on the right side of the cabinet floor (J) (remove tape if used).



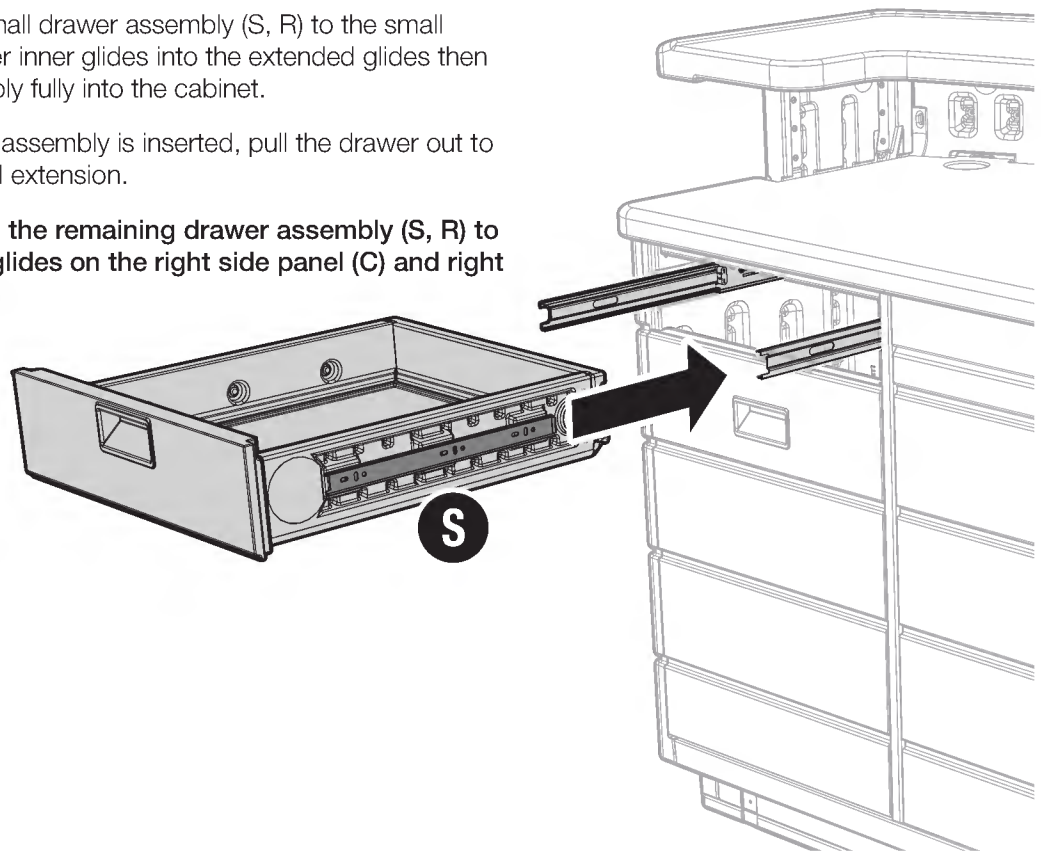
50

Fully extend the small drawer glides on the left side panel (B) and left divider panel (K).

Align the inner glides of one small drawer assembly (S, R) to the small drawer glides. Insert the drawer inner glides into the extended glides then insert the small drawer assembly fully into the cabinet.

NOTE: Once the small drawer assembly is inserted, pull the drawer out to confirm the drawer stops at full extension.

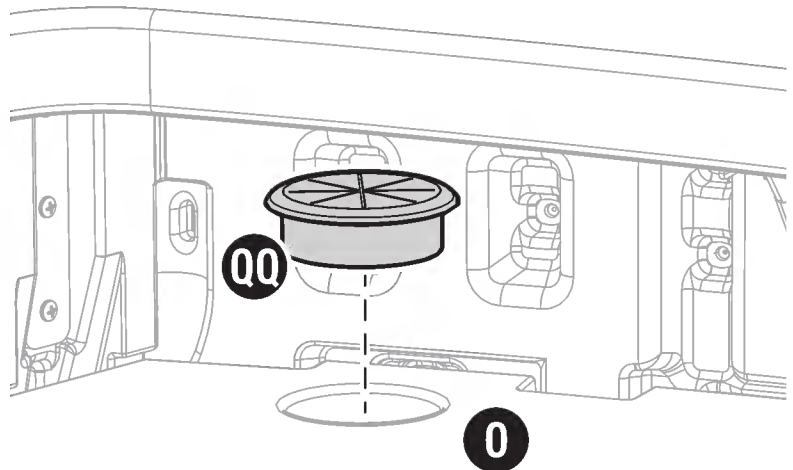
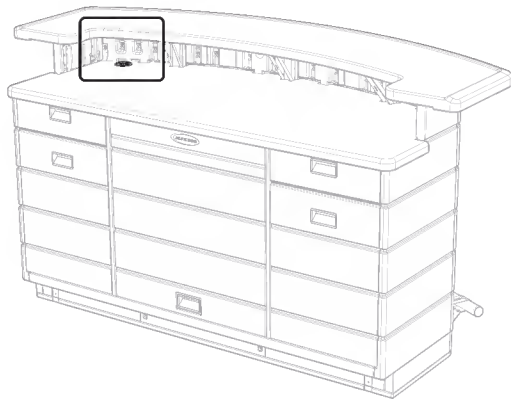
Repeat the process to install the remaining drawer assembly (S, R) to the remaining small drawer glides on the right side panel (C) and right divider panel (L).



Assembly - Grommet

51

Insert the grommet (QQ) into the large hole in the counter top (O). Be sure to fully seat the grommet.



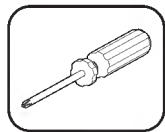
Assembly complete.

Moving the Product

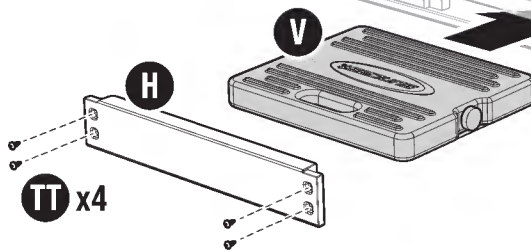
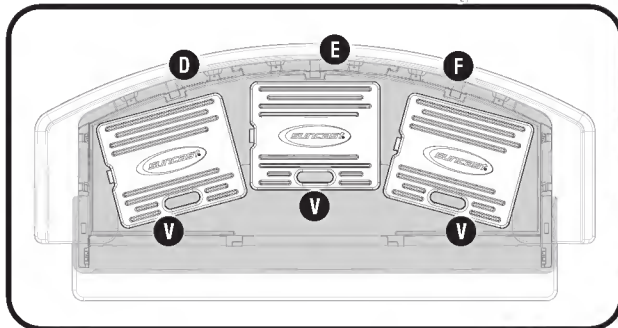


CAUTION: The finished product is very heavy. **DO NOT LIFT WITH THE FOOTREST, BAR TOP OR COUNTER TOP.** Moving the finished product should be done with two or more people. Excessive stress or twisting can damage to the product and can void the warranty. **REMOVE SAND CONTAINERS AND STORED ITEMS PRIOR TO MOVING. REPLACE SAND CONTAINERS AFTER PRODUCT HAS BEEN RELOCATED.**

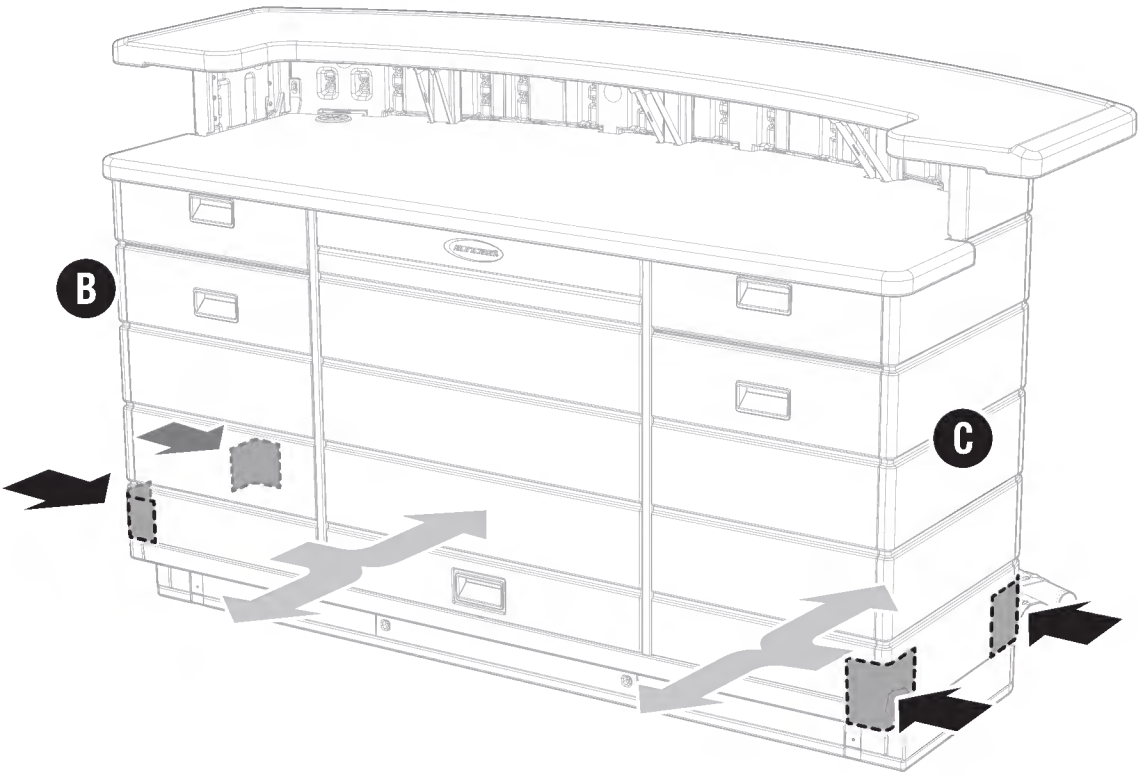
52 To remove the sand containers (V), remove the four screws (TT) securing the middle toe kick (H) and remove the middle toe kick. Carefully reach into the base to pull out the sand containers.



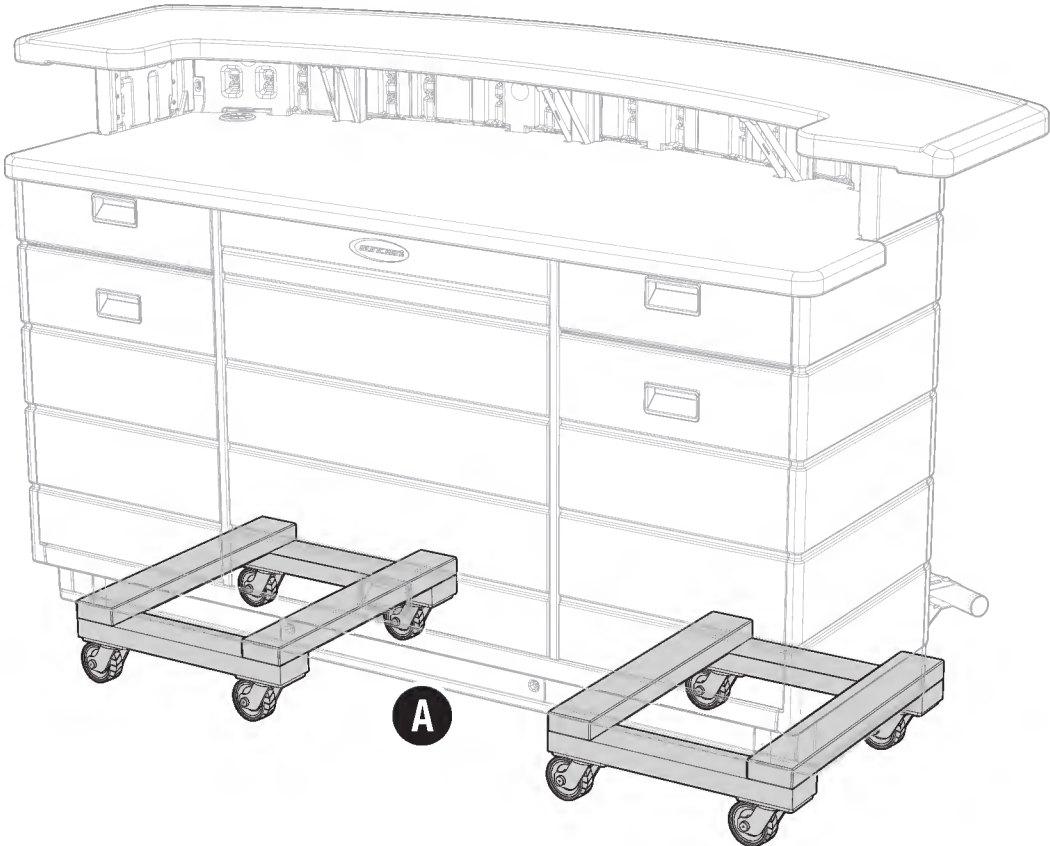
(TT) x4



If moving the product for short distances on a smooth surface, the product can be carefully slid by pushing on the bottom corners of the side panels (B, C).



If the product is to be moved for long distances and/or over uneven surfaces, it is recommended to place moving dollies under each end of the product before moving. Lift carefully from the floor panel (A) to place on dollies.



Electric Cord Routing

Electrical cords can be routed downward through the grommet hole, along the bar corner and out the cord slide.

Remove the grommet (QQ) and open the cord slide (KK). Feed the electrical cord through the grommet hole down along the bar corner and behind the drawers and feed the cord plug out of the cord slide hole in the right side panel (B).

Positing the cord into the cord cutout and slide the cord slide closed.

HINT: Removing the small drawer and pulling out the large drawer may help in routing a cord along the bar corner.

