

**BMS1225  
FRONT VIEW**

**TOTAL VOLUME:**

**Interior: 21.68 cu ft**

**Exterior: 32.34 cu ft**

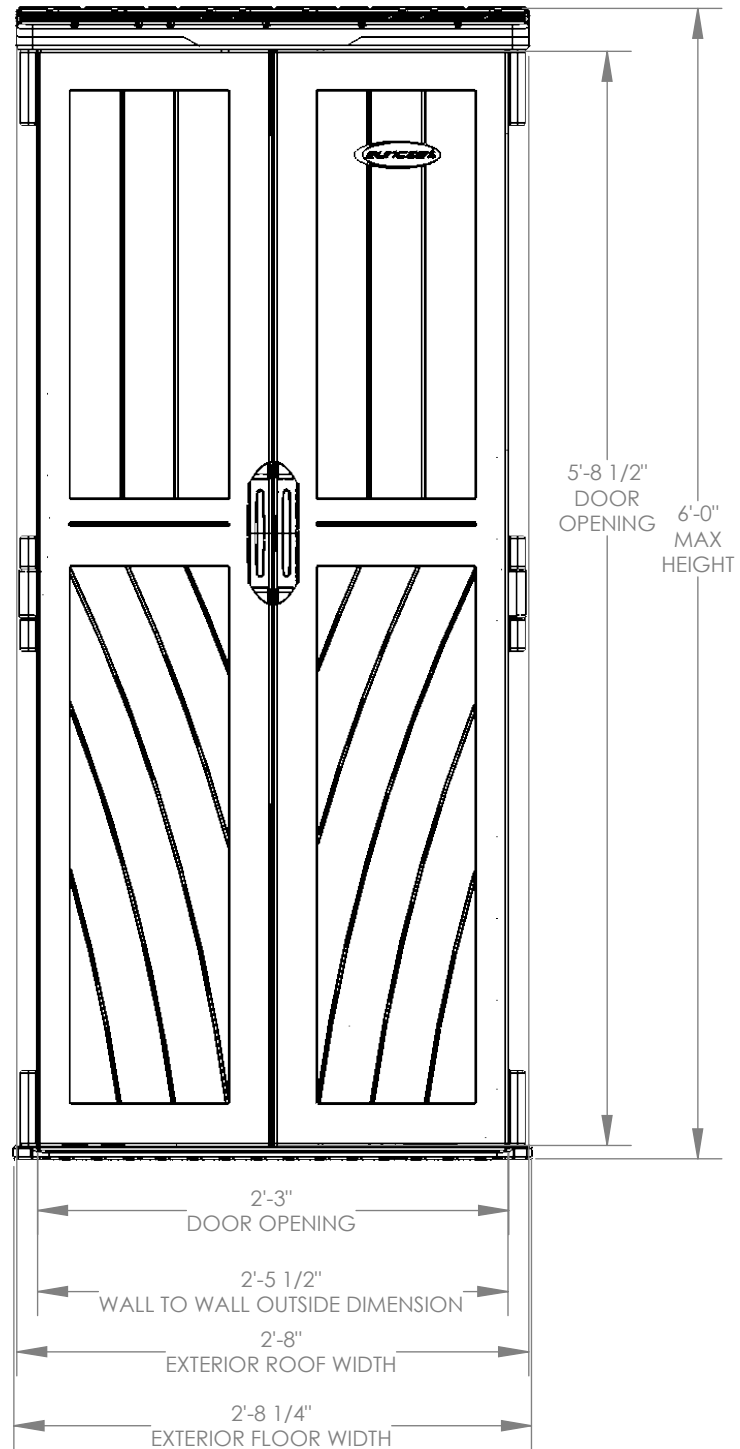
**SQUARE FOOTAGE**

**Interior: 3.77 sq ft**

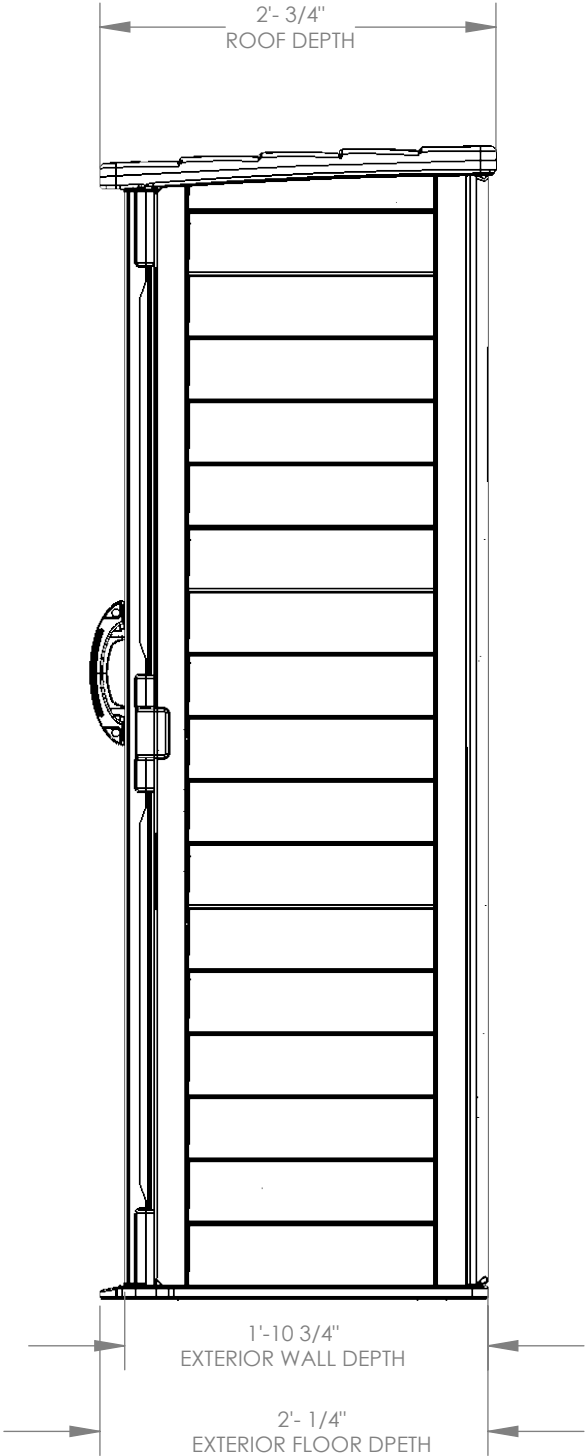
**Exterior: 5.39 sq ft**

**ROOF PITCH**

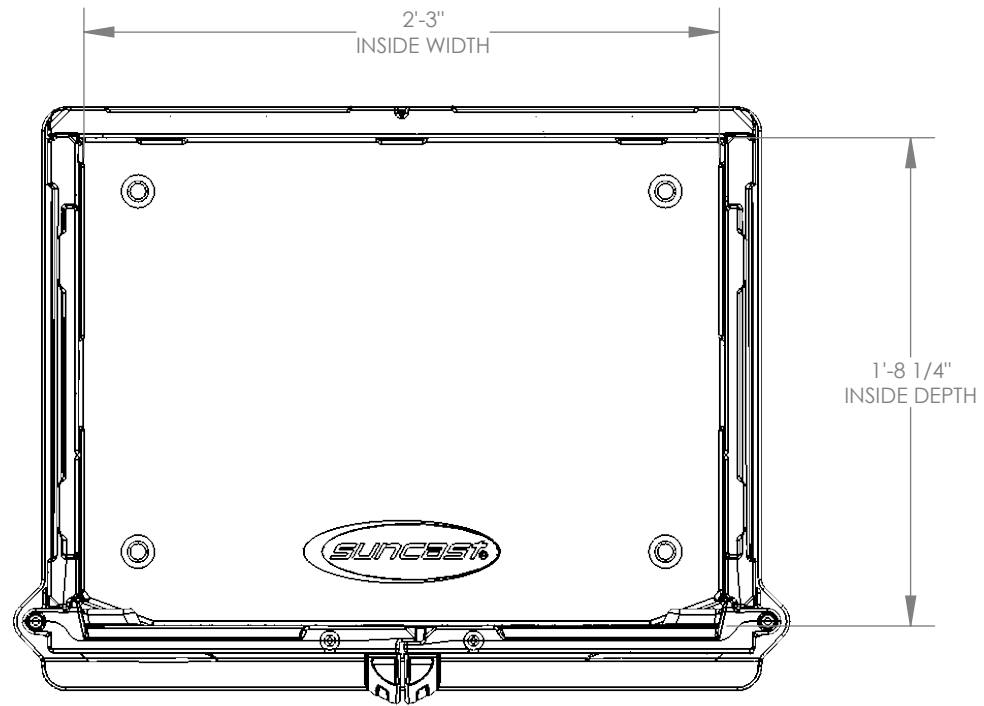
**0.5:12**



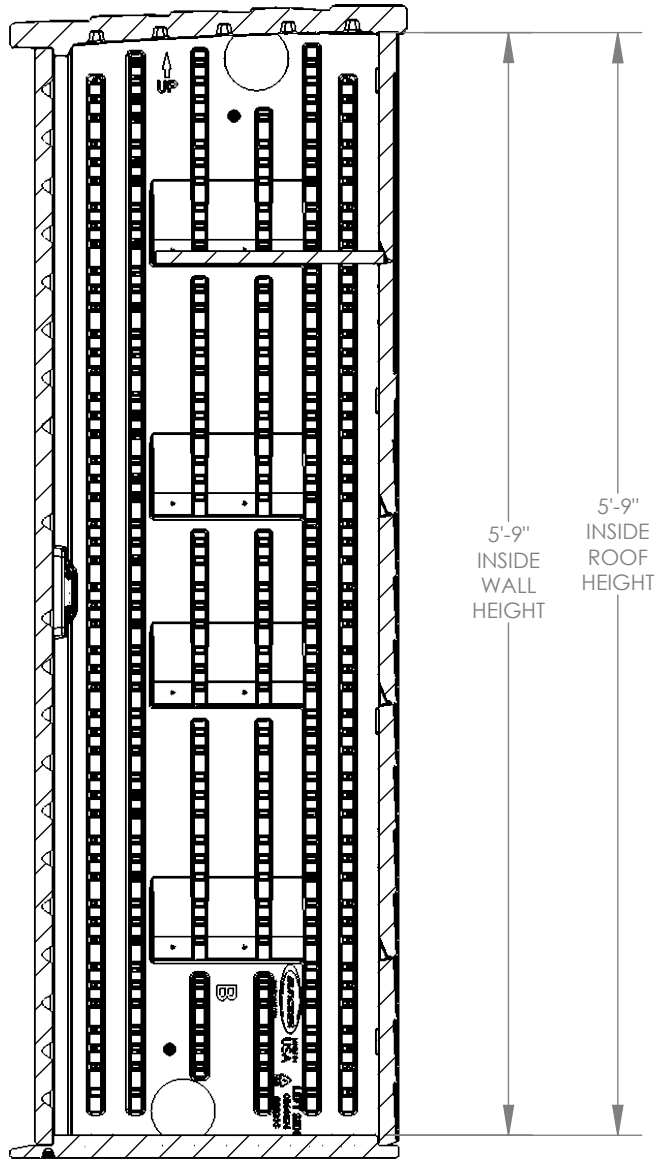
**BMS1225  
SIDE VIEW**



**BMS1225**  
**TOP VIEW**



**BMS1225  
SECTION VIEW**



SECTION A-A  
SCALE 1 : 12