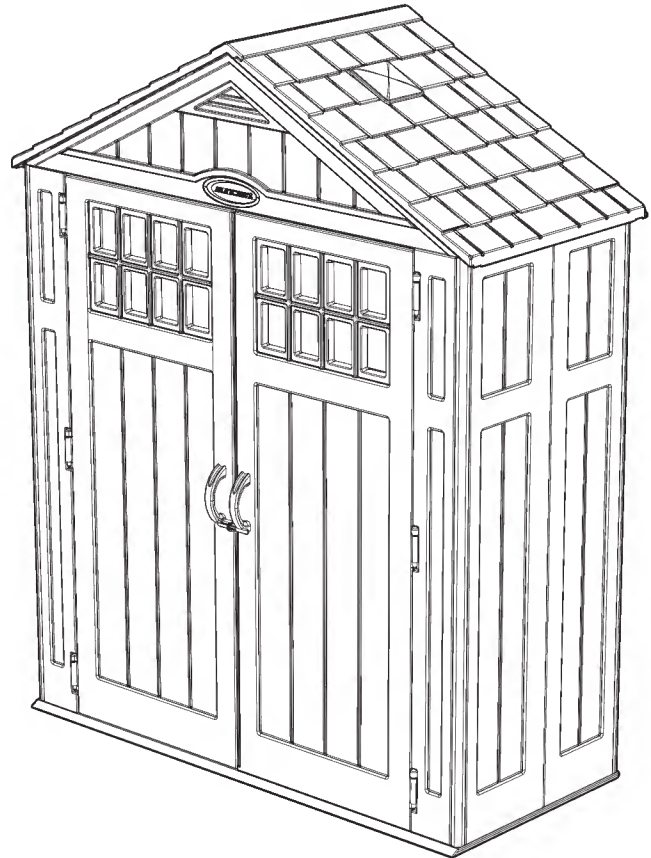
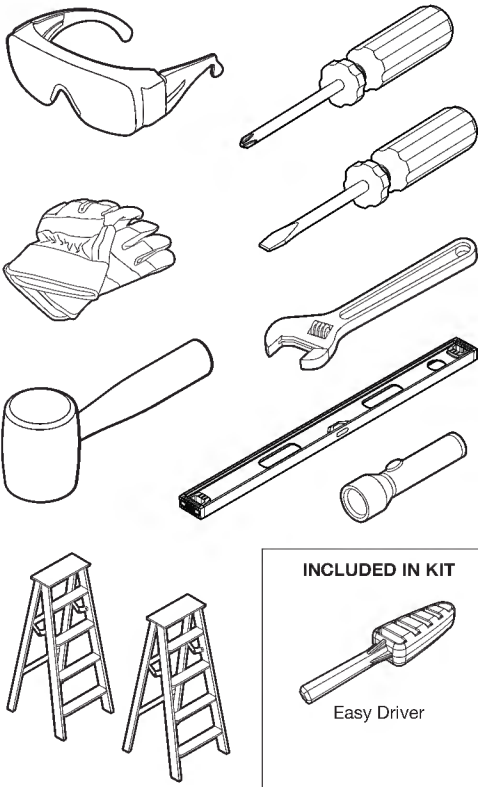


BMS6312 Shed – Everett®

ASSEMBLY INSTRUCTIONS

Tools Required



Built for Everyday Life™



Thank you for purchasing this Suncast® product.

Register within 90 days of purchase to activate Warranty!

Registration is not required for products with a warranty term of 90 days or less.

1. Verify warranty term of your product by visiting [www/suncast.com/warranty](http://www.suncast.com/warranty) (products with a warranty term of 90 days or less do not require registration)
2. Complete registration: fill out the form and upload a copy of your receipt by visiting <https://support.suncast.com> or scanning the QR code



Have Questions?

For product questions, assembly assistance, replacement parts and more:



<https://support.suncast.com>



Suncast Corporation Customer Care
701 N. Kirk Road, Batavia, IL 60510



1-800-846-2345
1-630-381-6309



Before you Begin...

- **Consult your local authorities for any permits required to construct shed.**

Prior to the construction of your shed, check with the local building code official to review any required permits or building limitations.

- **A level and sturdy foundation is required before shed construction can begin.**

Site preparation information is available later in this manual. A foundation that differs from the specifications within this manual could prevent proper assembly and may damage parts.

- **Read instructions thoroughly prior to assembly.**

This kit contains parts that can be damaged if assembled incorrectly or in the wrong sequence.

- **Please follow instructions.**

Suncast is not responsible for replacing parts lost or damaged due to incorrect assembly.



Indicates at least 1 additional adult is needed to complete this step.

IMPORTANT

IF FOUNDATION IS REQUIRED, COMPLETE SITE PREPARATION AND FOUNDATION CONSTRUCTION BEFORE UNPACKING ALL PARTS.

OPEN ALL BOXES FIRST AND NEATLY LAYOUT PARTS. SMALL PARTS MAY BE CONTAINED IN EACH BOX. PLEASE REFERENCE THE PARTS LIST WITHIN THIS MANUAL TO VERIFY ALL PARTS ARE PRESENT.



Caution

- Proper site preparation is required.
- Shed not intended for storage of flammable, caustic or corrosive materials.
- Shed not intended for habitation or for use by children.
- **DO NOT** stand, sit, or store items on the storage shed roof.
- **DO NOT** place near objects that are hot or can become hot.
- Heavy articles should not be leaned against the walls, as this may cause panel distortion and permanent damage.
- Suncast is not responsible for damage caused by weather or misuse.
- This kit contains parts with sharp edges. Please be careful when handling, use of work gloves is recommended.
- **DO NOT** place in areas near highly reflective surfaces (Note: Low-E windows are more reflective than standard windows and may affect the longevity of the product).
- Product is water resistant and now waterproof. Locate unit away from gutter and down spouts for optimal performance.



Care & Maintenance

- At regular intervals, inspect your shed to make sure that assembly integrity has been maintained. **Repair or replace broken parts immediately.**
- Periodically check that the location you have chosen to set your shed is still level.
- Keep roof clean of snow and leaves.
- To maintain the look of your product, we recommend cleaning it at regular intervals with mild soap and water. **DO NOT** use bleach, ammonia, or other caustic cleaners, and **DO NOT** use stiff bristle brushes. Failure to perform cleaning at regular intervals could result in permanent staining of the plastic. This type of damage is not covered under warranty.



Assembly Day Tips

- **DO NOT** attempt to assemble on a day with strong winds.
- Set aside appropriate amount of time to completely assemble shed. An incomplete shed assembly may pose a safety hazard.
- Make sure you have assistance nearby to lift and secure parts in place.
- **DO NOT** use a torque wrench or hand drill to tighten Easy bolts. Use provided Easy Bolt Driver ONLY.
- Suncoast provides extra hardware for small fasteners for customer convenience. In some cases, there will be extra small fasteners once the assembly is complete.

Note: *This product contains parts that are used in different orientations to construct the shed. Please take note of the orientation of the parts shown throughout this instruction manual. Failure to follow instructions could result in damage to parts. Suncoast is not responsible for replacing parts lost or damaged due to incorrect assembly.*

IMPORTANT

OPEN ALL BOXES FIRST AND NEATLY LAYOUT PARTS. SMALL PARTS MAY BE CONTAINED IN EACH BOX. PLEASE REFERENCE THE PARTS LIST WITHIN THIS MANUAL TO VERIFY ALL PARTS ARE PRESENT.

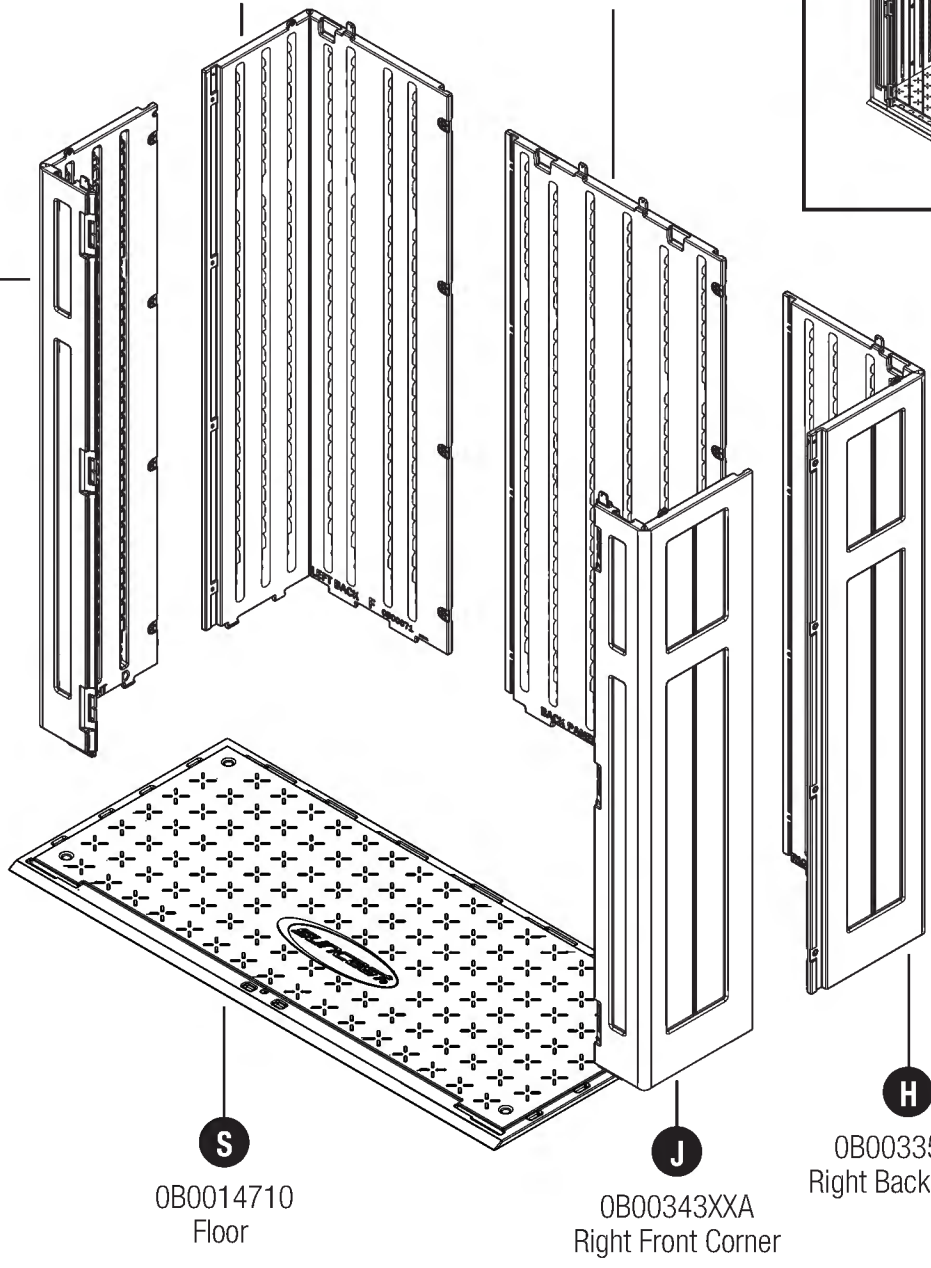
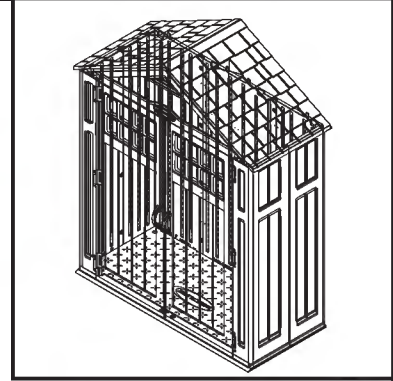
COMPLETE SITE PREPARATION AND FOUNDATION CONSTRUCTION BEFORE UNPACKING ALL PARTS.

Parts - Walls and Floor

D
OB00342XXA
Left Front Corner

F
OB00334XXA
Left Back Corner

G
OB00344XXA
Back Panel

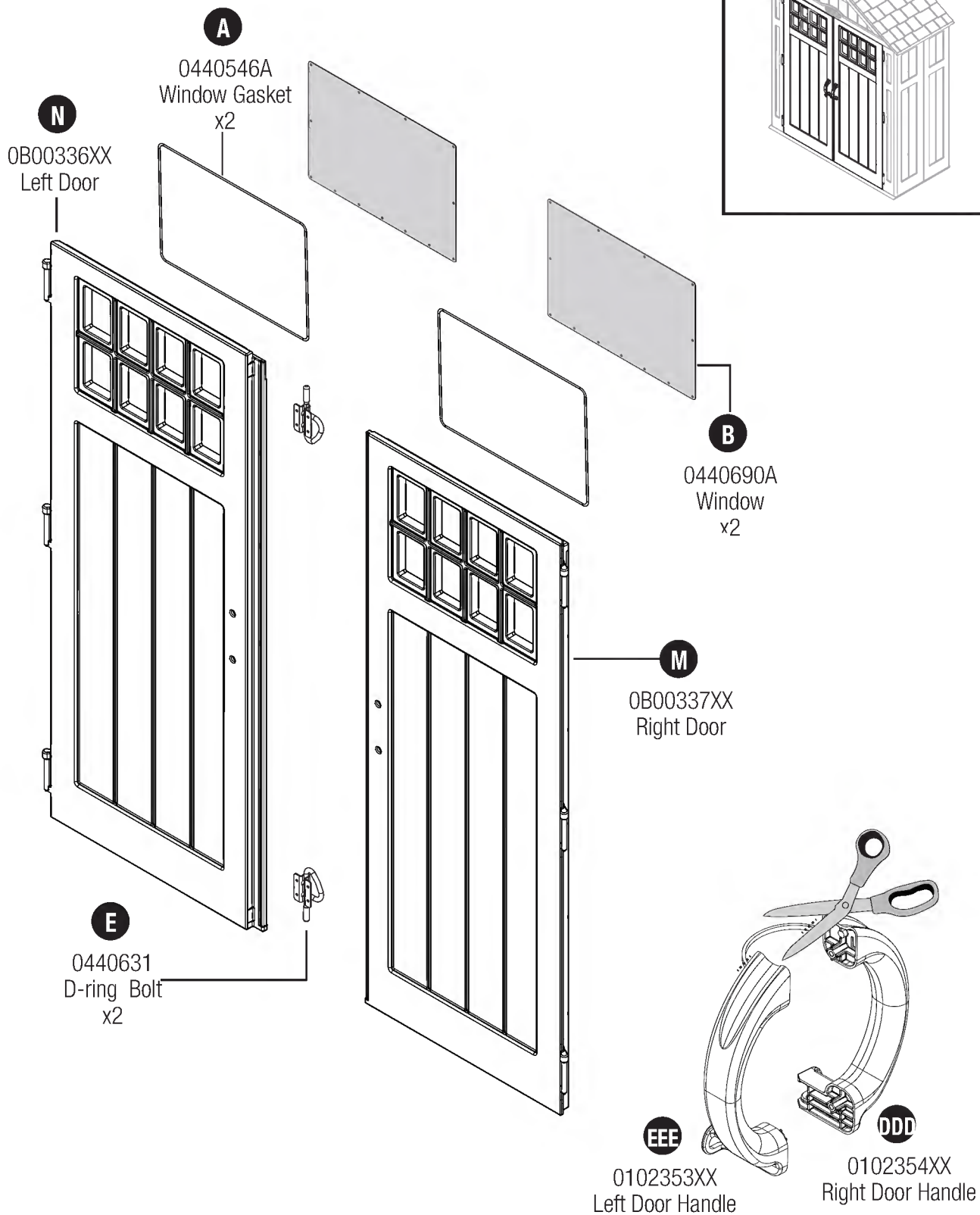


S
OB0014710
Floor

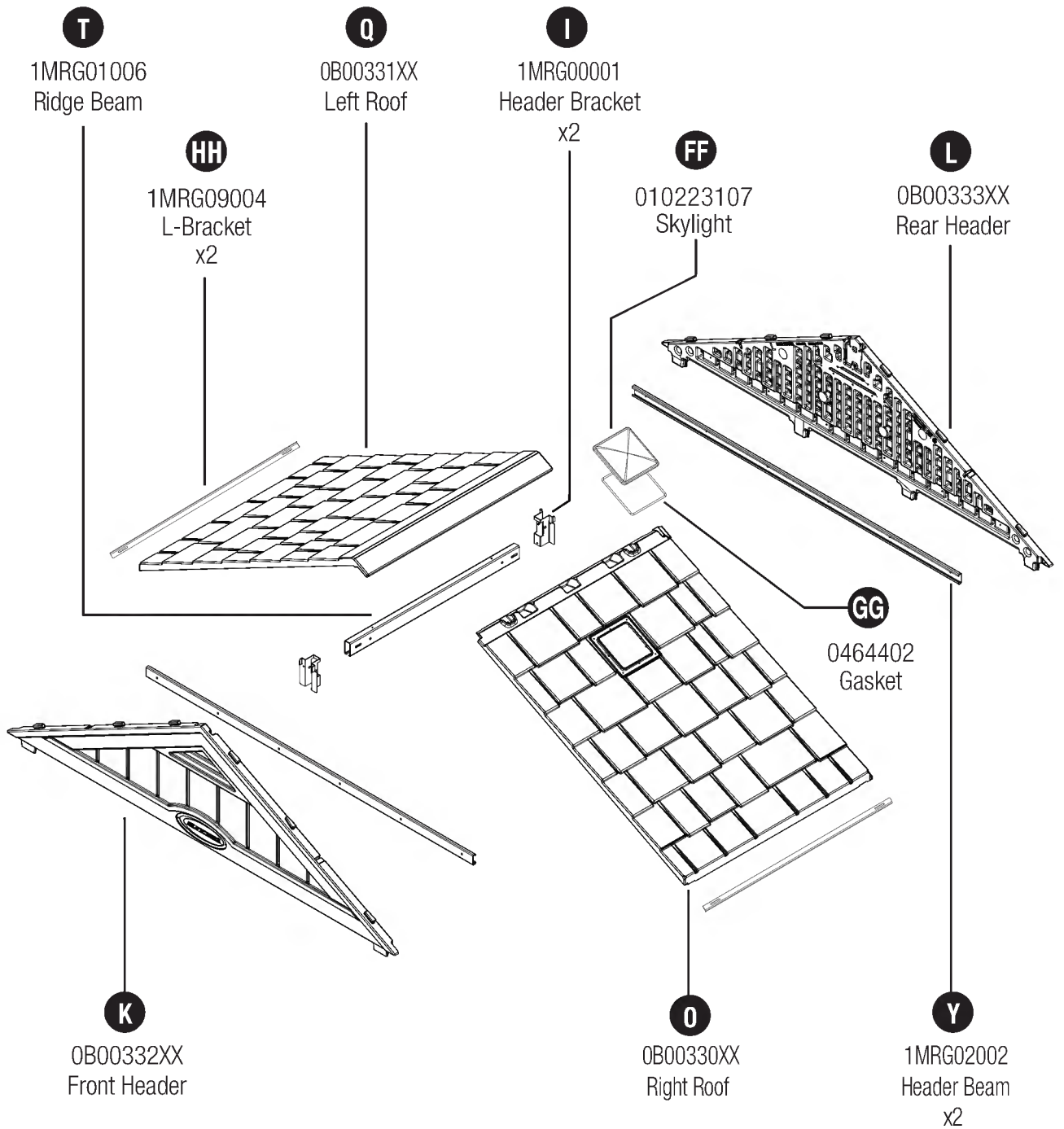
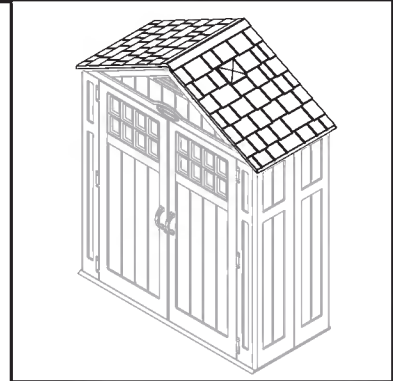
J
OB00343XXA
Right Front Corner

H
OB00335XXA
Right Back Corner

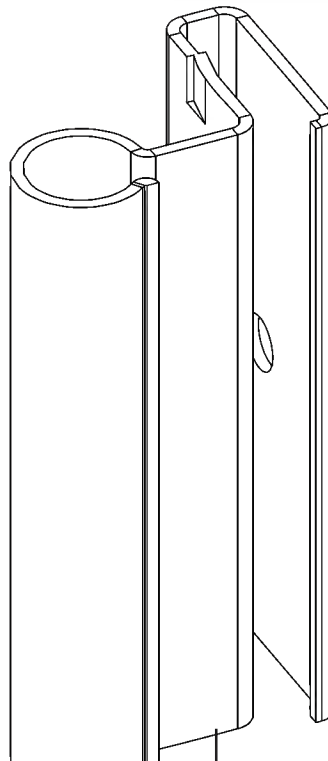
Parts - Doors



Parts - Roof

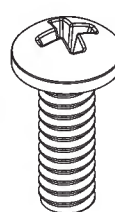


Hardware

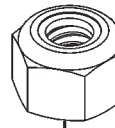


V
Metal Hinge Plate
x6

0480337 – Hardware Bag

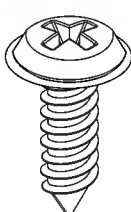


X
.25 x .75"
Machine Screw
x6

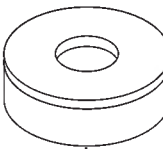


Z
.25 Locking Nut
x6

0480341 – Hardware Bag

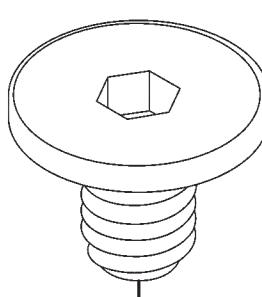


DD
.75" Sealing Screw
x3

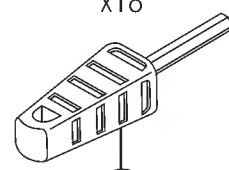


CC
Rubber Washer
x3

Hardware Bag




R
Easy bolt 7/8"
x18

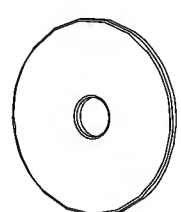


EE
*Easy Driver

0480370 – Hardware Bag



CCC
2.25" Screw
x4




RR
Washer
x4

0480351 – Hardware Bag



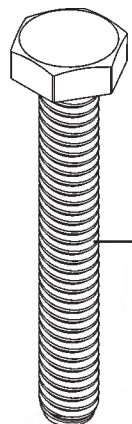
BB
.625" Truss Head Screw
x12

0480216A – Hardware Bag

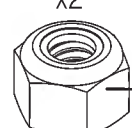


BB
.625" Truss Head Screw
x92

0480374 – Hardware Bag



W
.25 x 2" Hex Bolt
x2



Z
.25 Locking Nut
x2

Hardware shown at actual size (*Unless otherwise noted.) Extra hardware provided. Not all are used.

Site Preparation and Platform Construction

Materials **NOT** supplied with Shed Kit

Important:

- **Site preparation is required for this shed. Placing the shed on a properly constructed, square, flat and level foundation, as described below, is required. Without a properly constructed, square, flat and level foundation, settling will eventually occur, causing distortion and damage to the shed. Suncastr is not responsible for replacing parts damaged or property lost due to incorrect foundation construction. Warranty requires a properly constructed foundation as described below.**
- **Complete the site preparation and foundation construction before unpacking parts and beginning assembly. For tips on site preparation, go to www.suncastr.com, consult retailer, or local codes.**

Site Preparation

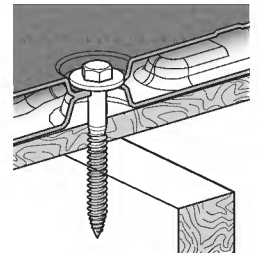
1. Consult your local authorities for building codes and covenants before beginning foundation or erecting shed.
2. Before any digging, check with local utilities to determine location of buried cables, pipes, etc.
3. Decide which type of foundation is most suitable for your installation. **The foundation surface must be square, flat and level.** Follow the below guidelines for foundation options:

Concrete Slab

- Construct a slab of at least 4" thickness.
 - The use of reinforcement bar is recommended.
4. Complete the foundation preparations as follows:
 - A vapor barrier may be applied over the foundation to prevent excessive condensation in the shed. Follow local building codes for a proper vapor barrier.
 - The ground should slope away from the foundation area to provide drainage.

Wood Platform

- Use exterior grade wood.
- Set the wood platform on pier blocks or footing.



Anchor section example

Anchoring the Floor Panels to the Foundation

- Shed floor panels include flattened areas where anchors or lag screws are to be secured. These flat areas must be drilled through prior to securing the floor panels to the foundation.

Concrete Slab

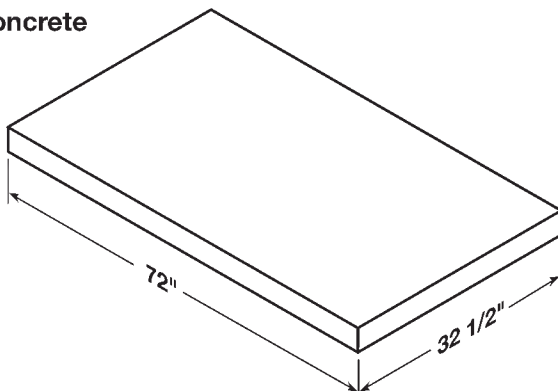
- Secure shed to concrete slab using 3/8" masonry anchors with 1" washers. Masonry anchors and 1" washers are available at most local hardware retailers. **4 masonry anchors are required for the Suncastr BMS6312 Shed.**

Wood Platform

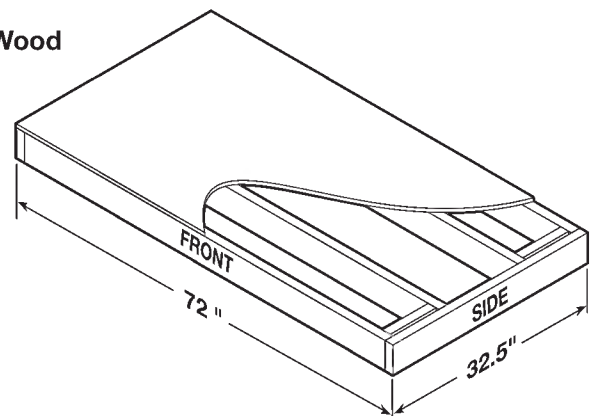
- Secure shed to wood platform using 1/4" - 3/8" x 3" lag screws with 1" washers. Lag screws and 1" washers are available at most local hardware retailers. **4 lag screws are required for the Suncastr BMS6312 Shed.**

Note: Shed floor fastening locations are designed to align with the under-structure layout. Be sure the front of the base panels are oriented correctly on the platform to ensure lag bolts engage with the under-structure.

Concrete



Wood

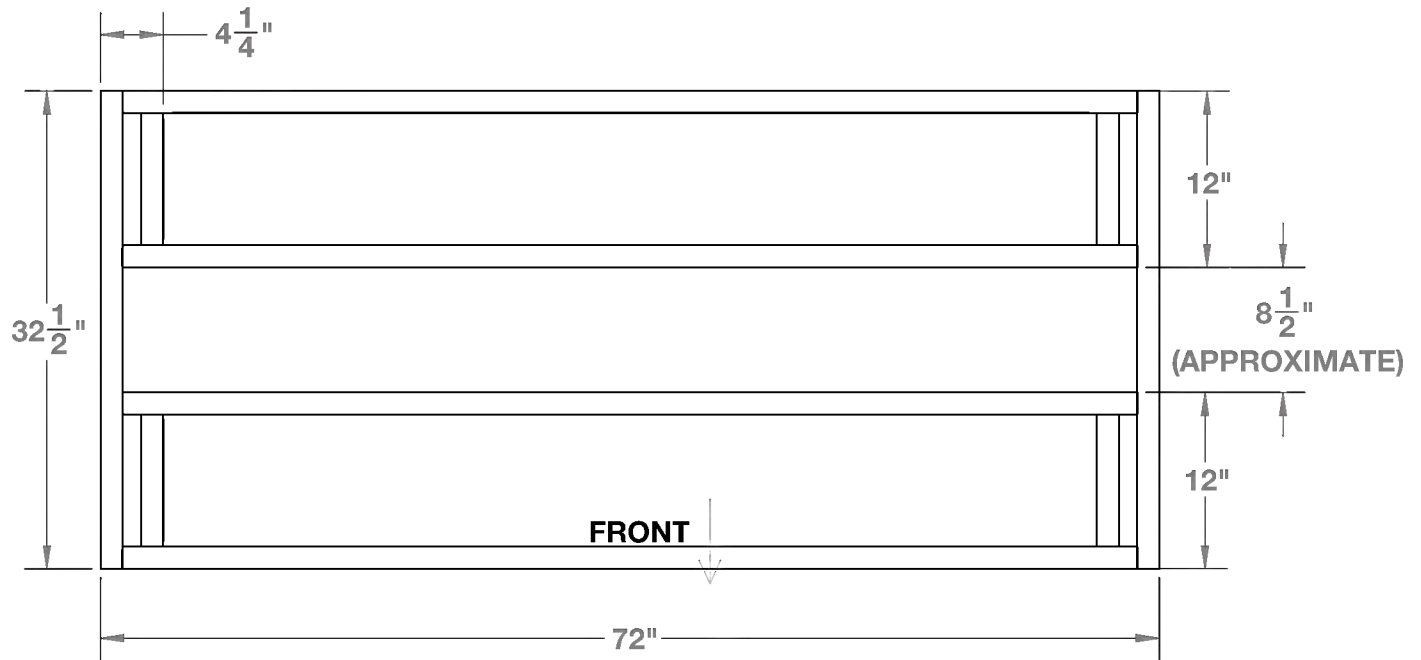


* Dimensions allow for shed to fit within the nearest 1" on each side.

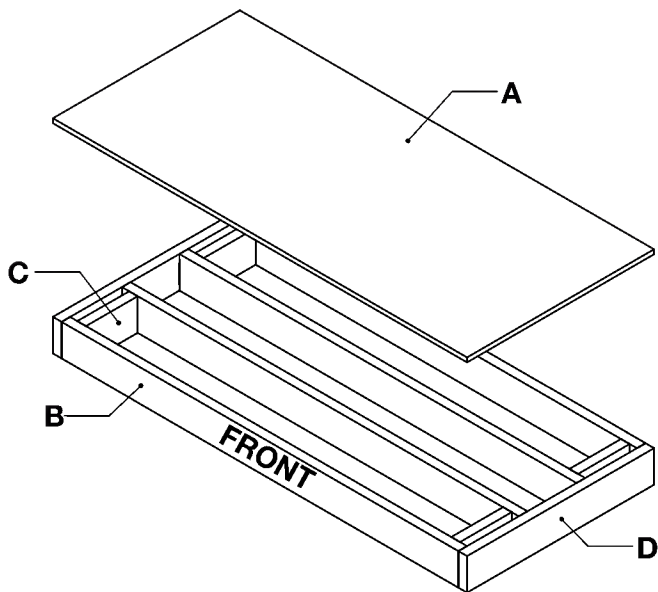
Site Preparation and Platform Construction (continued)

Materials NOT supplied with BMS6312 Shed Kit

Wood platform critical spacing



- Check all critical spacing measurements.

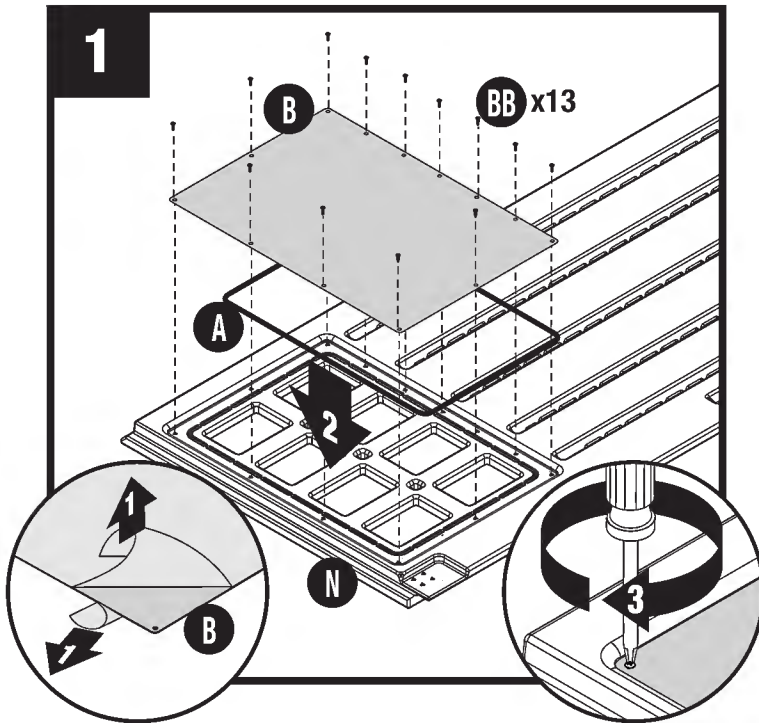


Wood platform materials list

Item	Qty	Size
A	1	32 1/2" x 72" x 3/4"
B	4	2" x 6" x 69"
C	4	2" x 6" x 9"
D	2	2" x 6" x 32 1/2"

Pre-Assembly

This item uses self-tapping screws in some areas. There are no pre-drilled holes in the plastic. Use force when starting to drive the screw. Once the screw pierces the plastic it will driver easier.

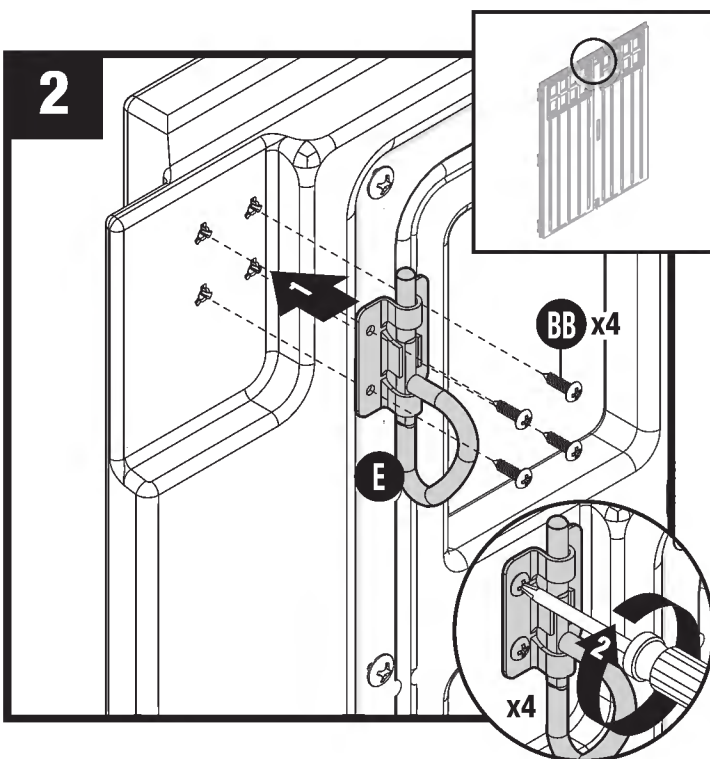


Peel film from both sides of window (B).

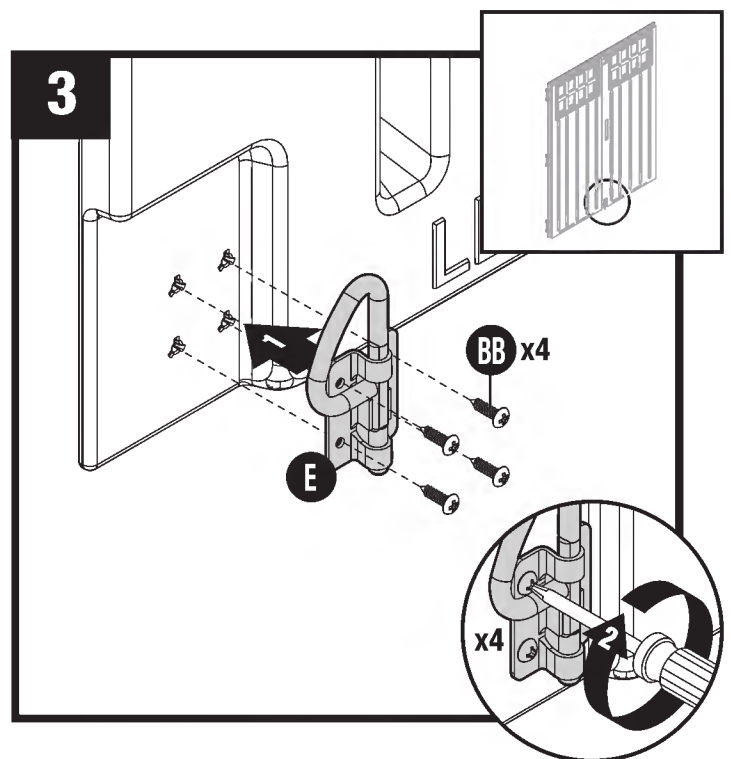
Lay left door (N) with window screw attachments facing up (backside). Place window gasket (A) into door channel. Cut excess gasket length.

Place window (B) over gasket. Through backside of door, secure window and gasket with 13 screws (BB). **DO NOT** over tighten screws. **Repeat** on right door (M).

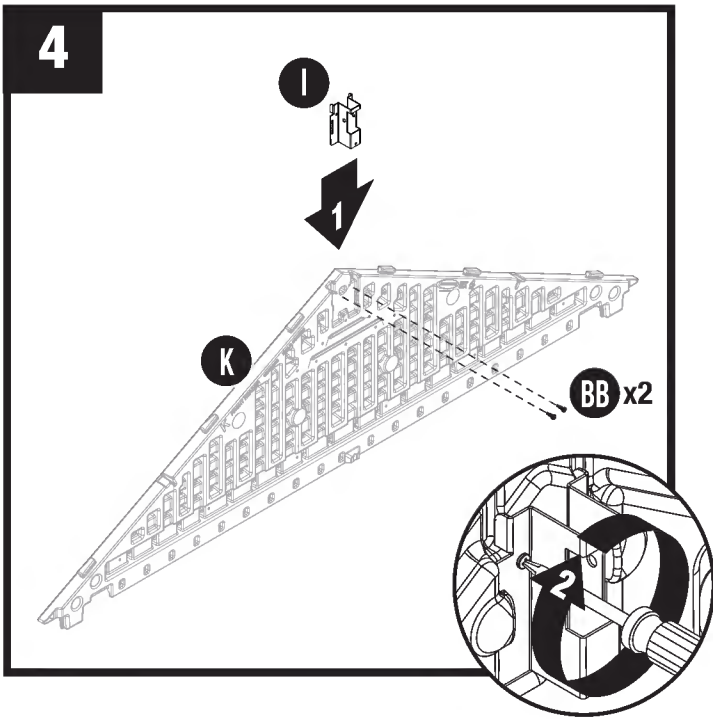
Notes: The cut portion of window gasket (A) **MUST** be assembled on top of door channel.



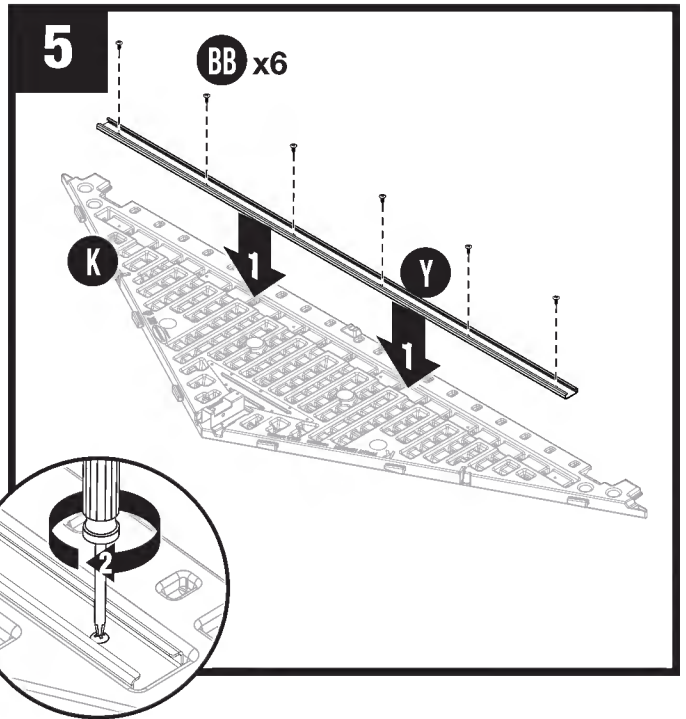
At top interior side of left door, attach D-ring slide bolt (E) with 4 screws (BB) through provided holes.



At bottom interior side of left door, attach D-ring slide bolt (E) with 4 screws (BB) through provided holes.

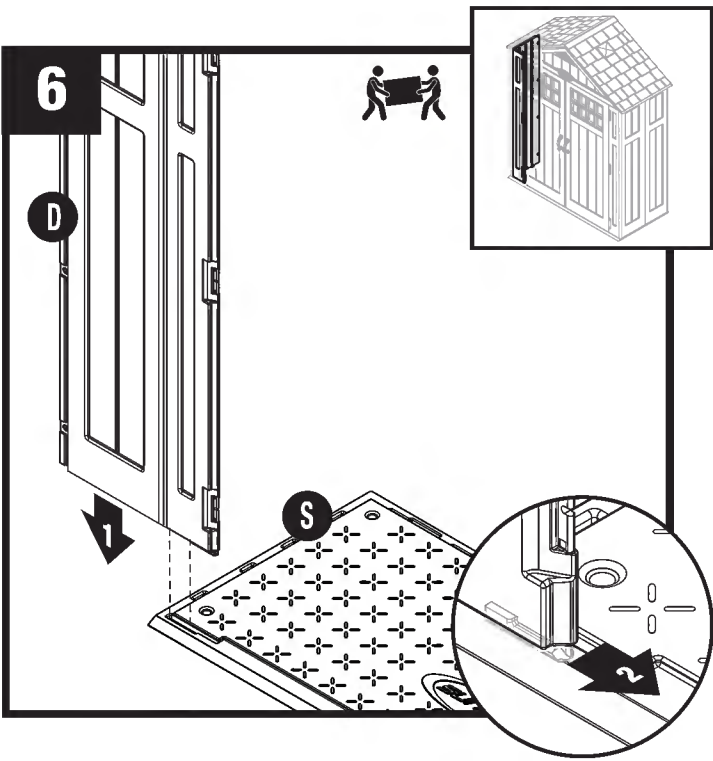


Slide roof ridge beam bracket (I) under tabs on inside peak of front header (K) and secure with 2 screws (BB).
DO NOT over tighten screws.

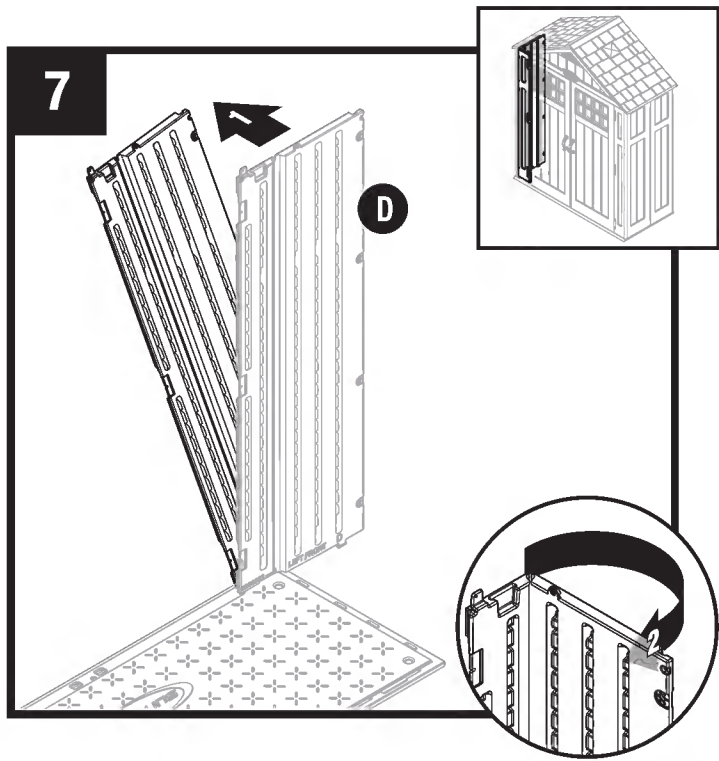


Insert header beam (Y) into front header (K). Attach using 6 screws (BB). **DO NOT** over tighten screws.
 Repeat steps 4-5 for rear header (L).

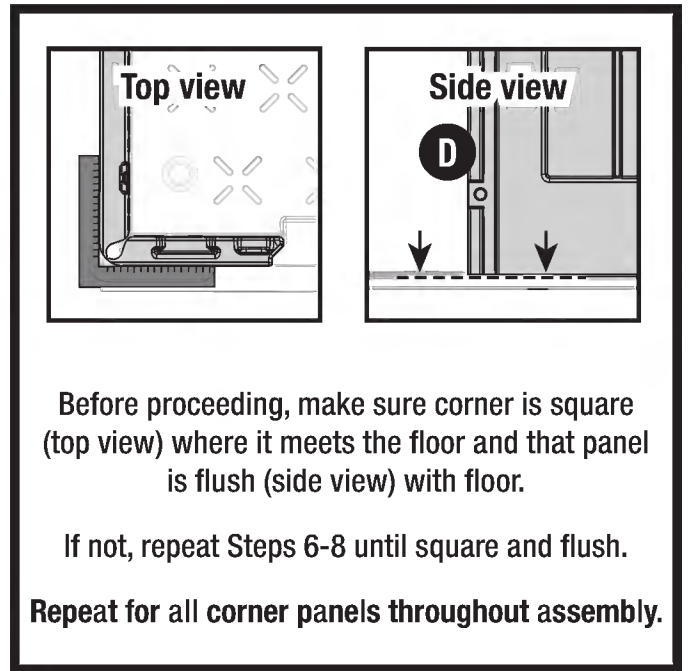
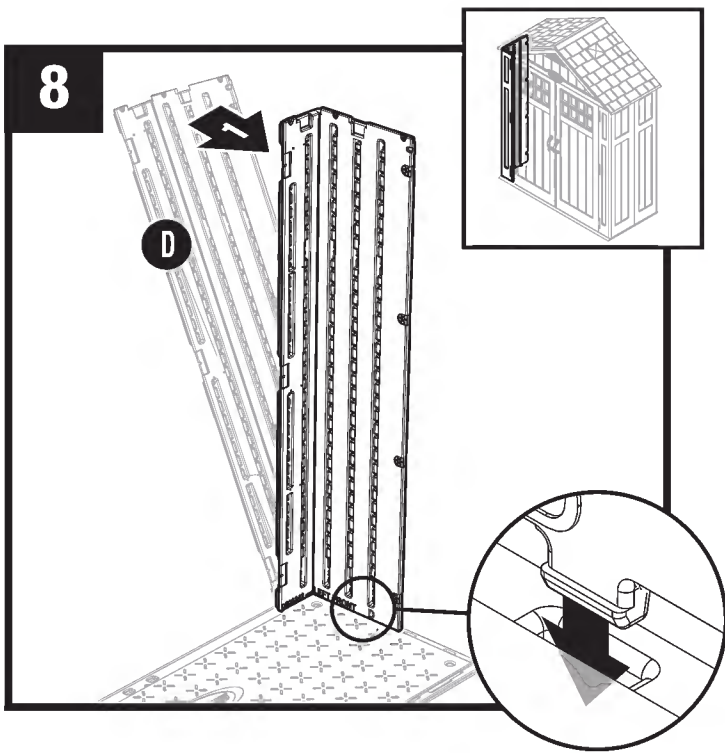
Assembly - Walls



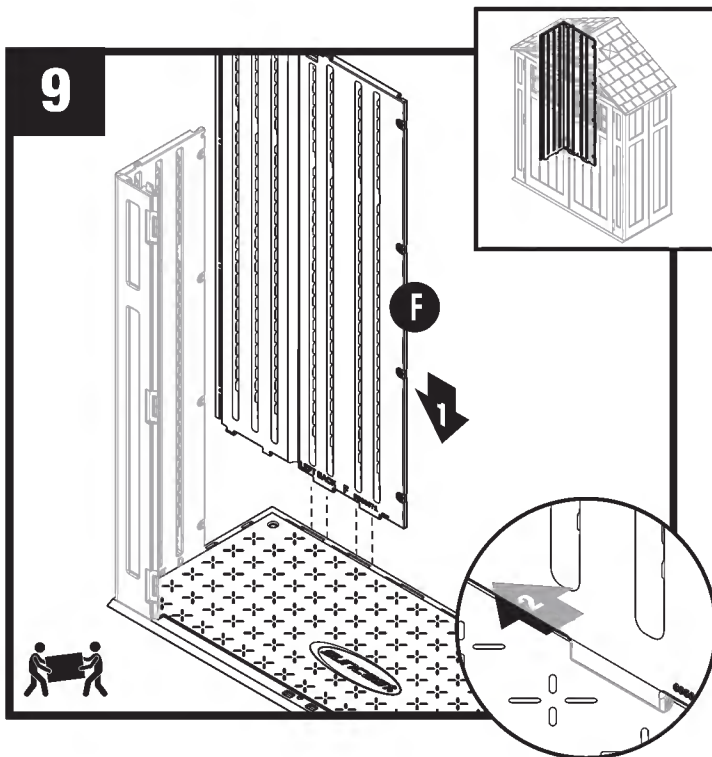
Align tab on bottom right side of left front corner (D) with slot on floor (S) front. Lower panel into slot and lock in place by sliding panel toward door opening.
Note: Use a rubber mallet to “push” left front corner (D) into locked position.



Tip left front corner (D) outward slightly and bend the corner hinge.

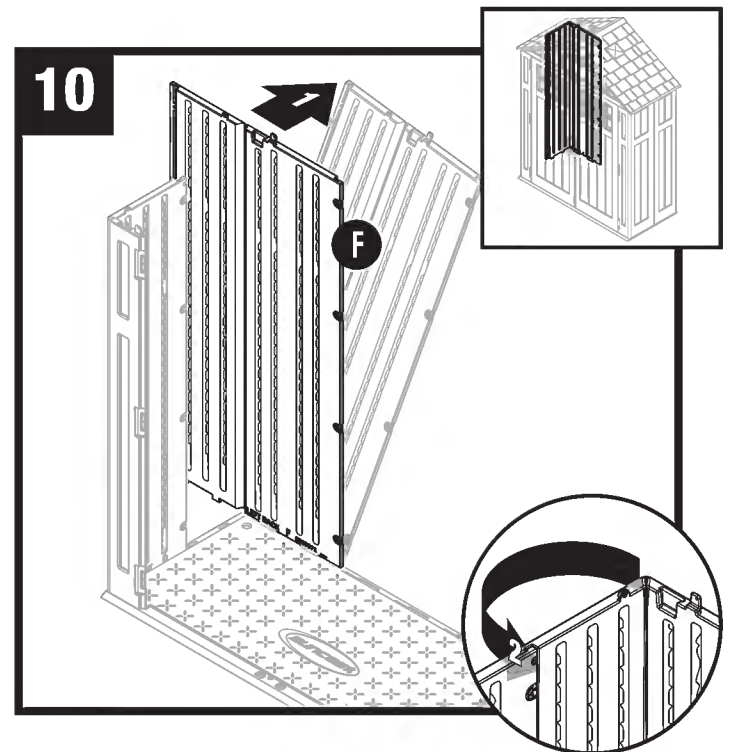


Tip left front corner (D) back to vertical position and align lower tabs on right side with slots in floor.

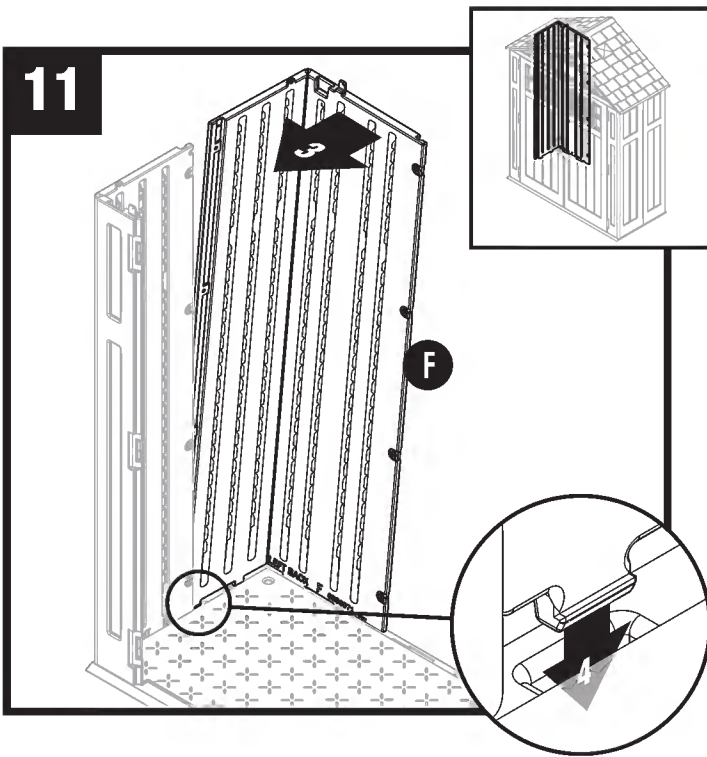


Align tabs on bottom right side of left back corner (F) with slots along floor (S) rear. Lower panel into slots and lock in place by sliding panel toward corner.

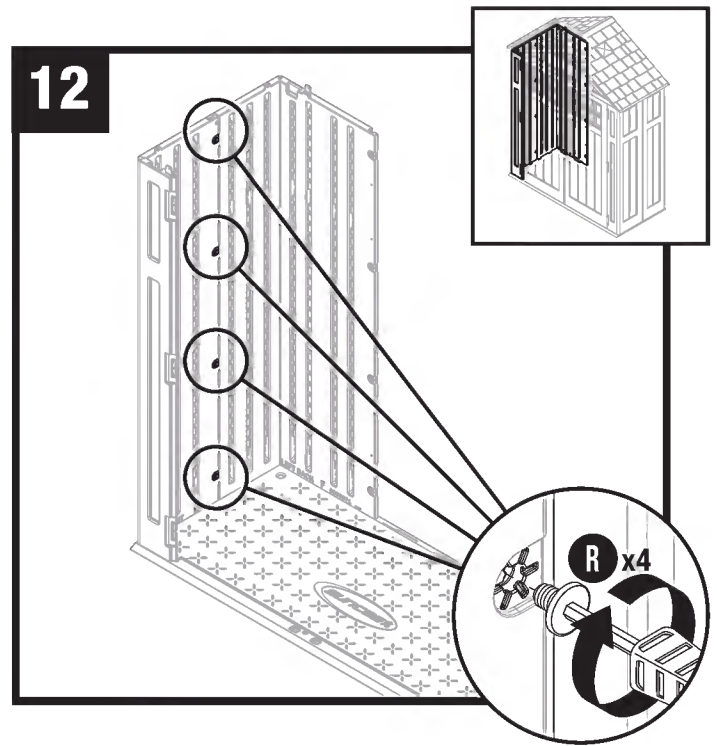
Note: Use a rubber mallet to “push” left back corner (F) into locked position.



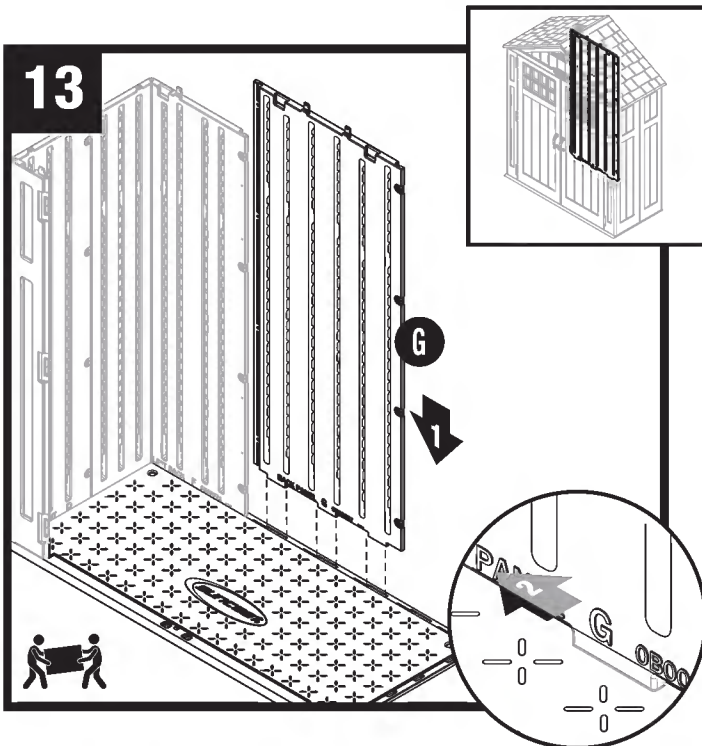
Tip left back corner (F) outward slightly and bend corner hinge.



Tip left back corner (**F**) back to vertical position and align lower tabs on left side with slots in floor. Left back corner should align and overlap previously installed side panel.

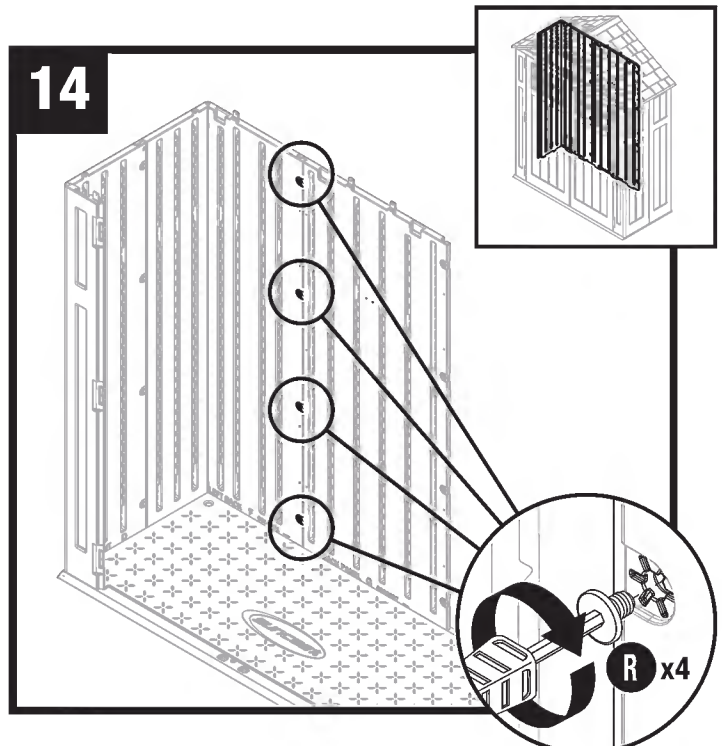


Secure panels with 4 easy bolts (**R**), working from floor to roof.

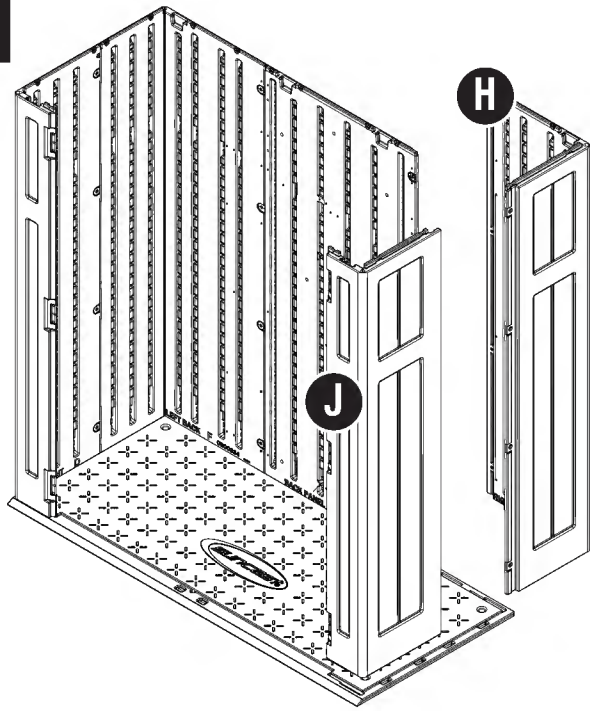


Align tabs on bottom of back panel (**G**) with slots along floor. Lower back panel into slots and lock in place by sliding panel toward corner.

Note: Use a rubber mallet to “push” back panel (**G**) into locked position, aligned with left back corner.

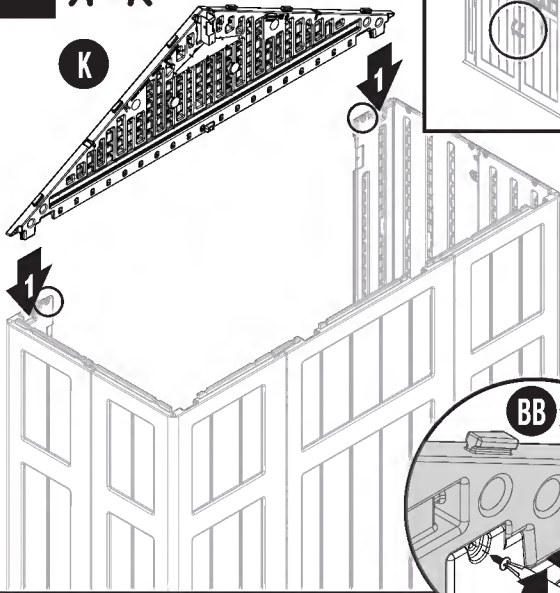
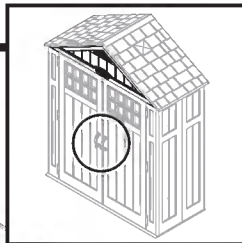


Secure back panel with 4 easy bolts (**R**). Work from floor to roof.

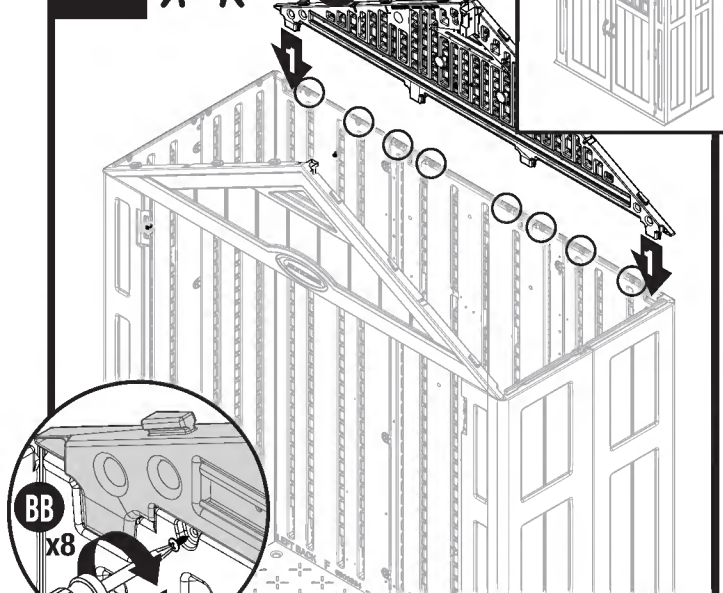
15

Repeat the process to install remaining corner panels (H,J) and secure with 4 easy bolts (R) each.

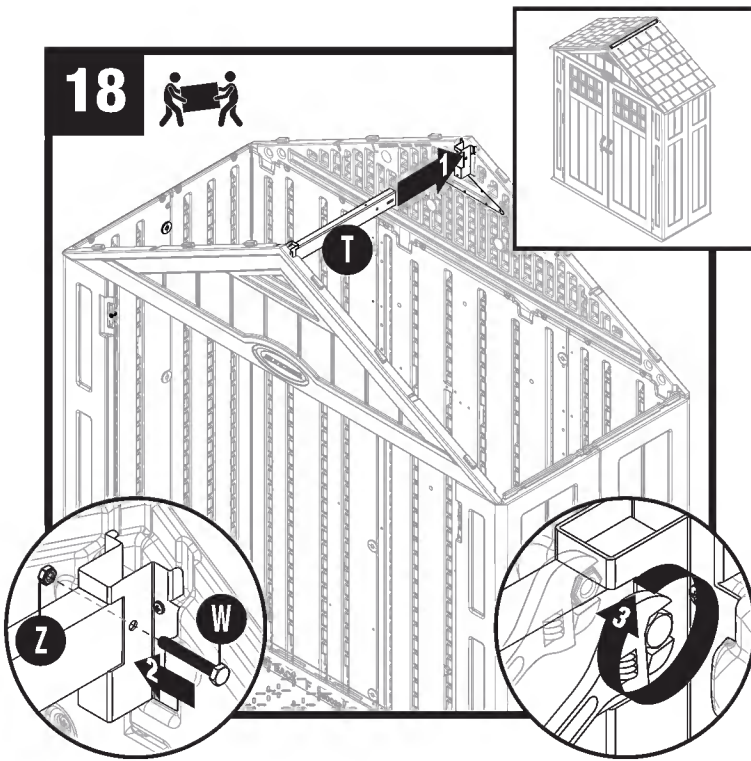
Assembly - Headers and Truss

16**K**

Place front header (K) over door opening and fit the two protruding support legs on left and right front corners into pockets molded in front header. Tabs on front header must be seated in header channel pocket. Secure using 2 screws (BB).

17**L**

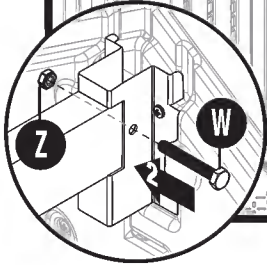
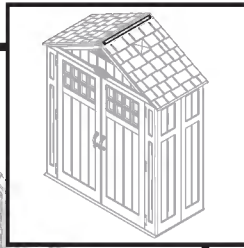
Place rear header (L) over back walls and fit the two protruding support legs on left and right back corners into pockets molded in rear header. Tabs on rear header must be seated in header channel pocket. Secure using 8 screws (BB).



18

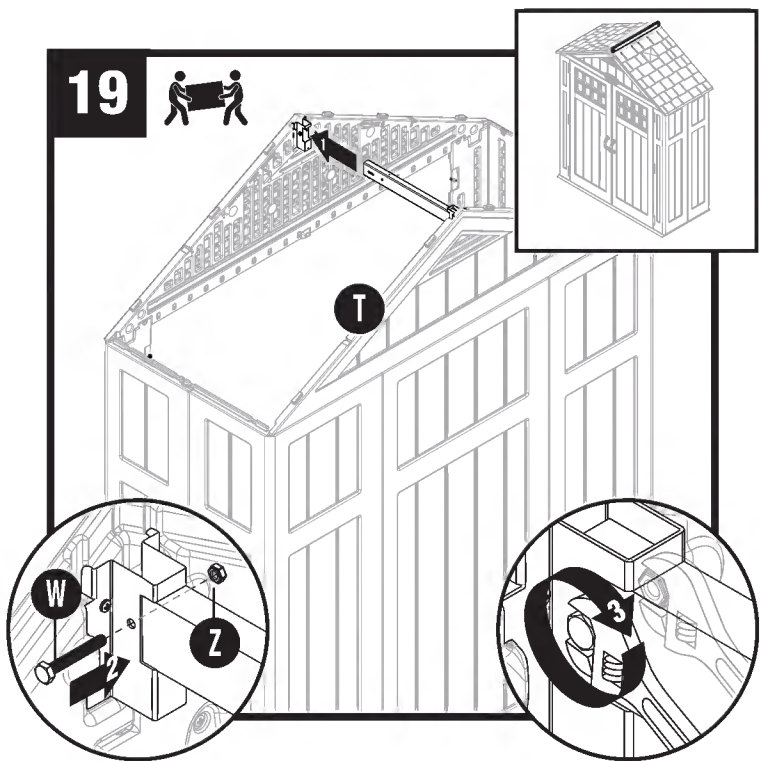


T



Raise ridge beam (T) up and into rear header bracket. Secure with 1 bolt (W) and nut (Z).

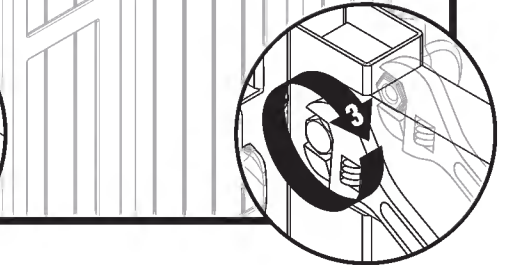
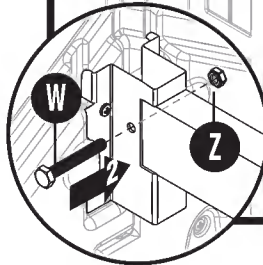
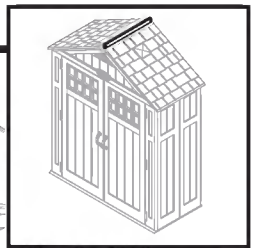
Note: Alignment of ridge beam may require header panels to be pushed inwards or outwards slightly as ridge beam is slid into place.



19

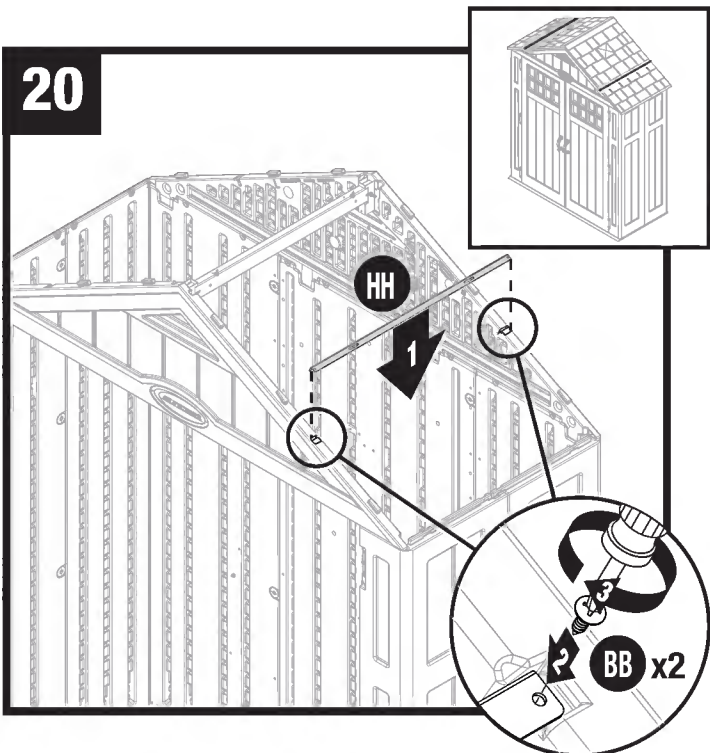


T



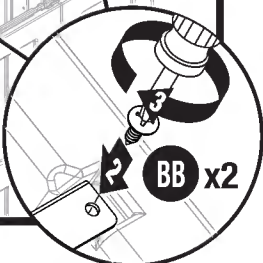
Slide ridge beam (T) into front roof ridge beam bracket. Secure with 1 bolt (W) and nut (Z).

Note: Alignment of ridge beam may require header panels to be pushed inwards or outwards slightly as ridge beam is slid into place.



20

HH

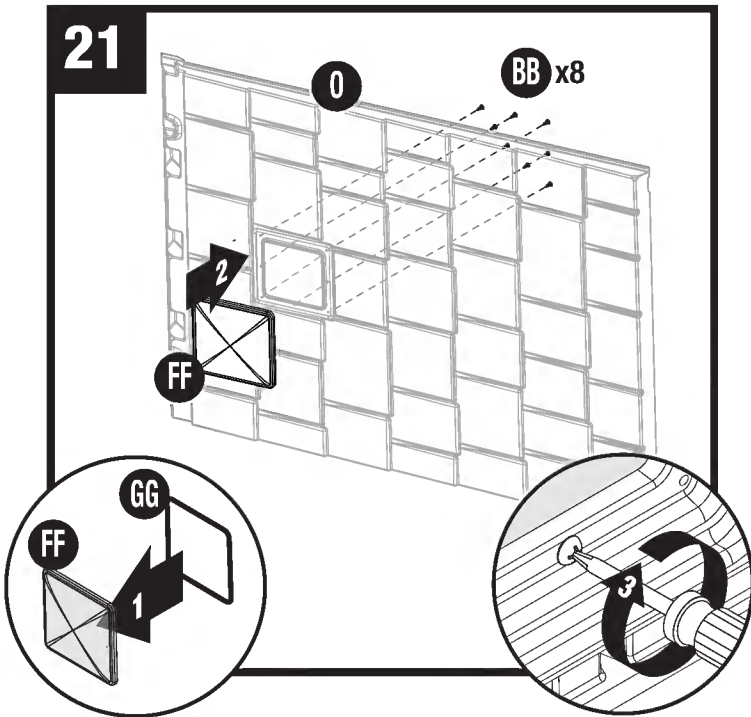


Attach L-bracket (HH) to front and rear headers. Secure with 2 screws (BB).

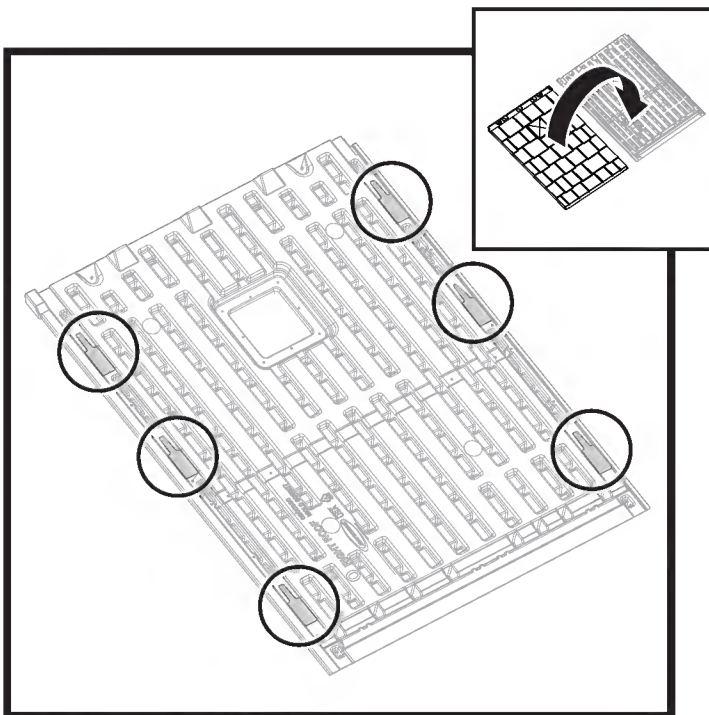
Repeat for remaining L-bracket.

Assembly - Roof

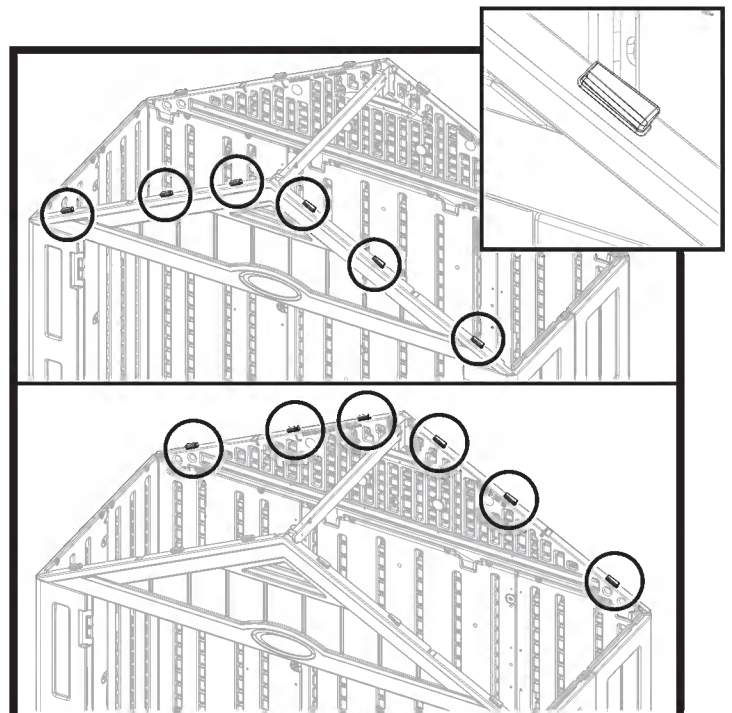
21



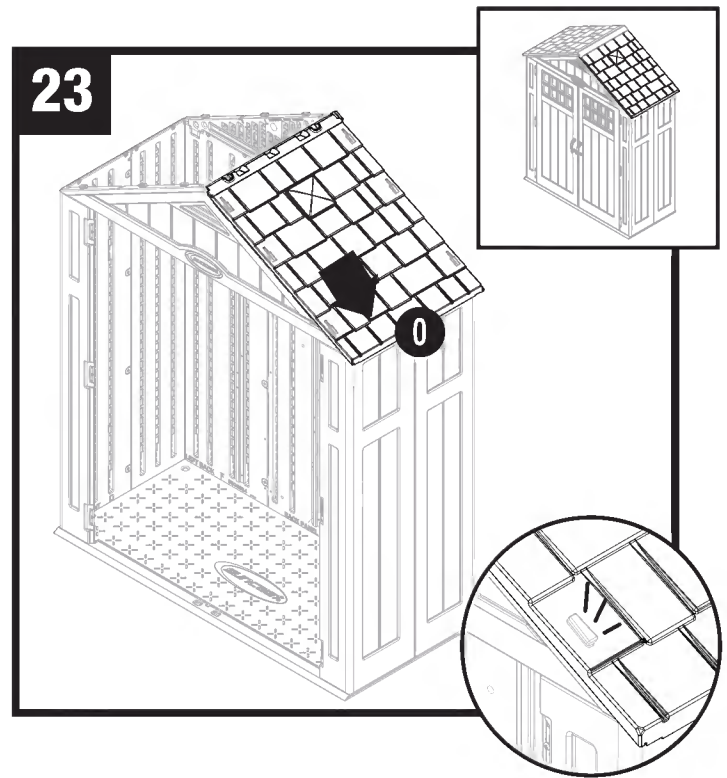
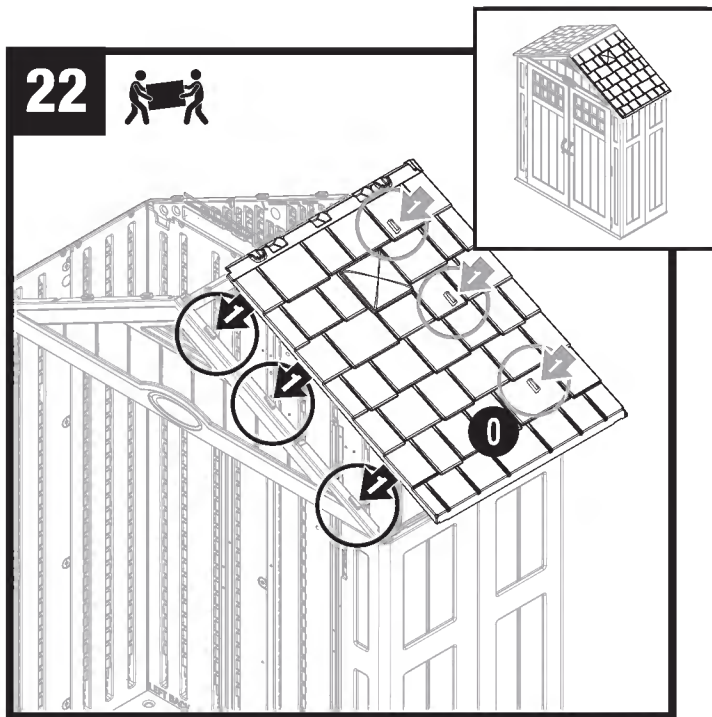
Place skylight gasket (**GG**) into skylight (**FF**). Place skylight (**FF**) onto right roof panel (**O**). Secure from underside with 8 screws (**BB**). Make sure rib on roof panel is seated fully against gasket on skylight.



Before proceeding, locate and identify channels on interior side of right roof (**O**) and left roof (**Q**). Locate three underside tabs contained within each channel.

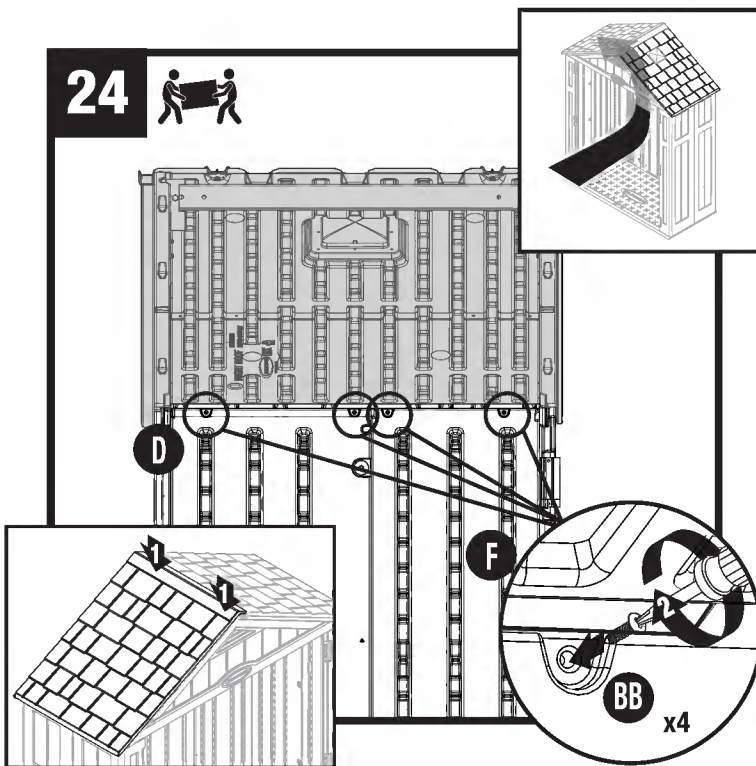


Before proceeding, locate and identify the six front header tabs and six rear header tabs.

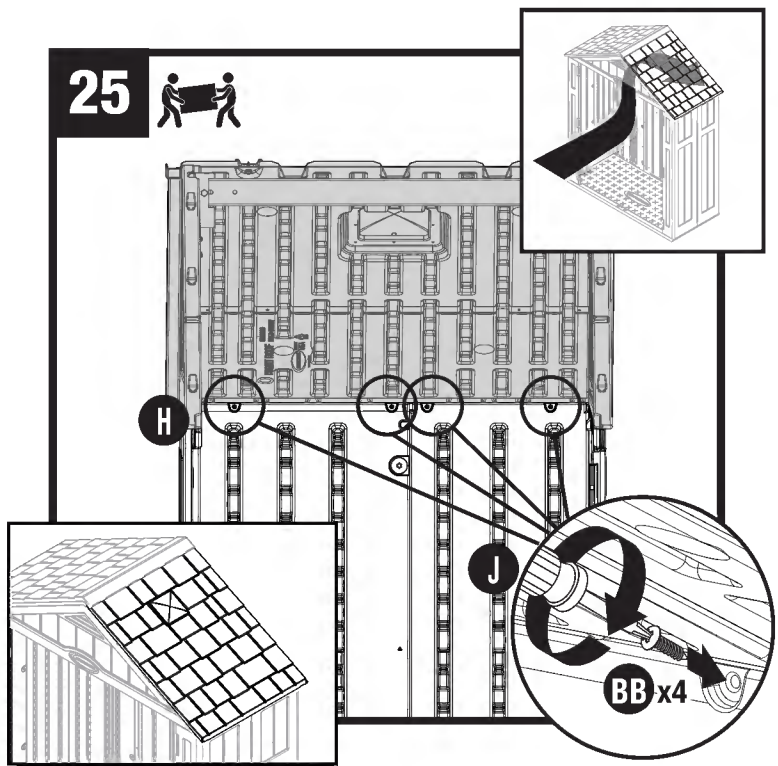


Lay right roof (O) directly over the three tabs on right side of front header (K). With right roof channel seated over/on header tabs.

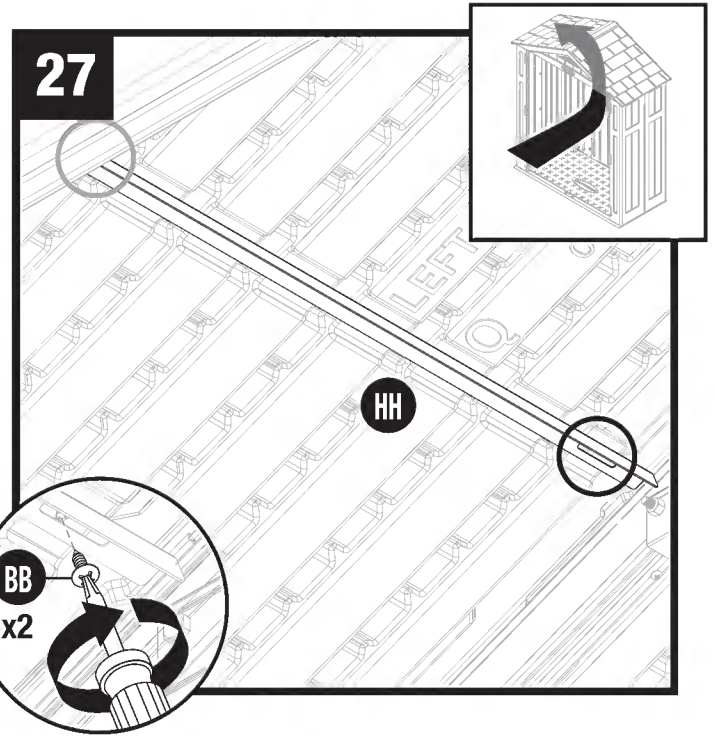
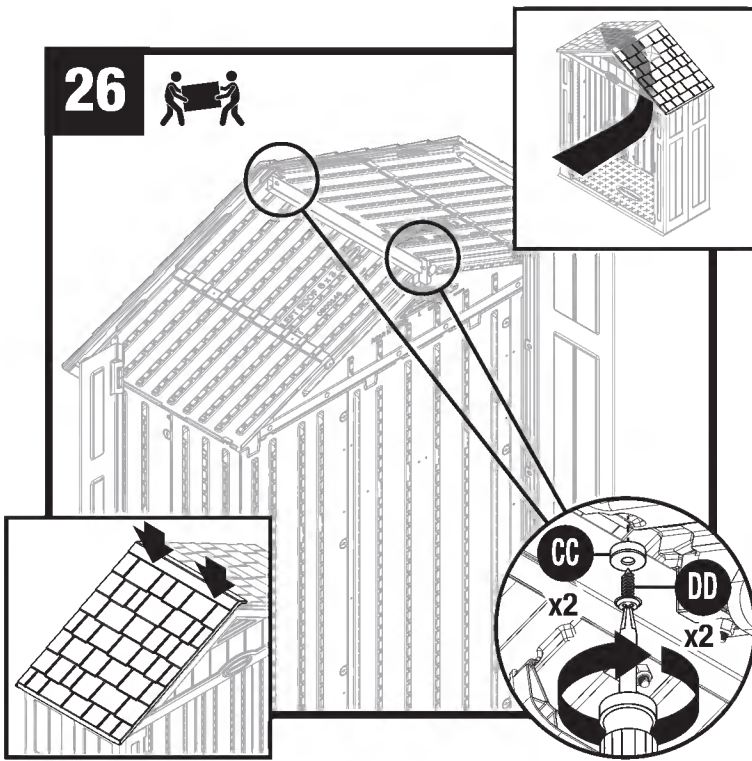
Slide right roof (O) down towards the outside of shed. You will hear a "snap" when engaged. **Repeat** for other side.



Pull down each lower corner of roof (Q) from outside. From inside shed, attach tabs on left front corner (D) and left rear corner (F) to left roof with 4 screws (BB).



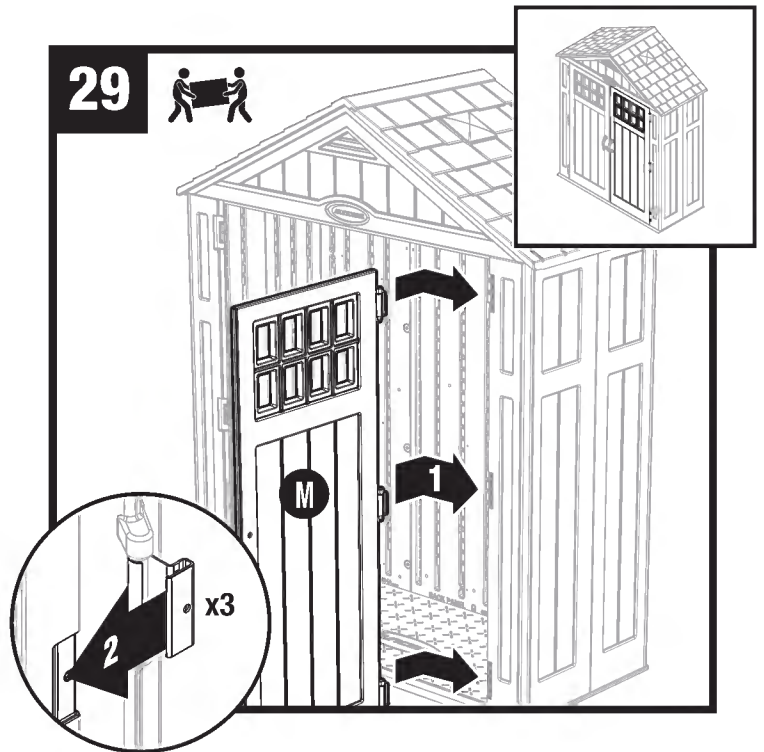
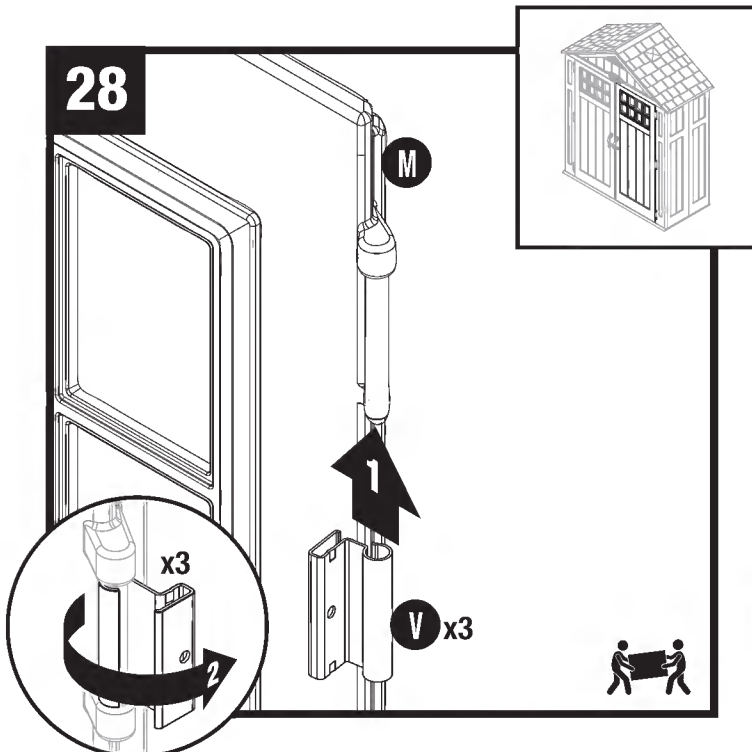
Pull down each lower corner of roof (O) from outside. From inside shed, attach tabs on rear right corner (H) and front right corner (J) to roof panel with 4 screws (BB).



Push down the roof from outside. From inside shed, secure roof panels together along ridge of roof using 2 rubber washers (CC) and sealing screws (DD).

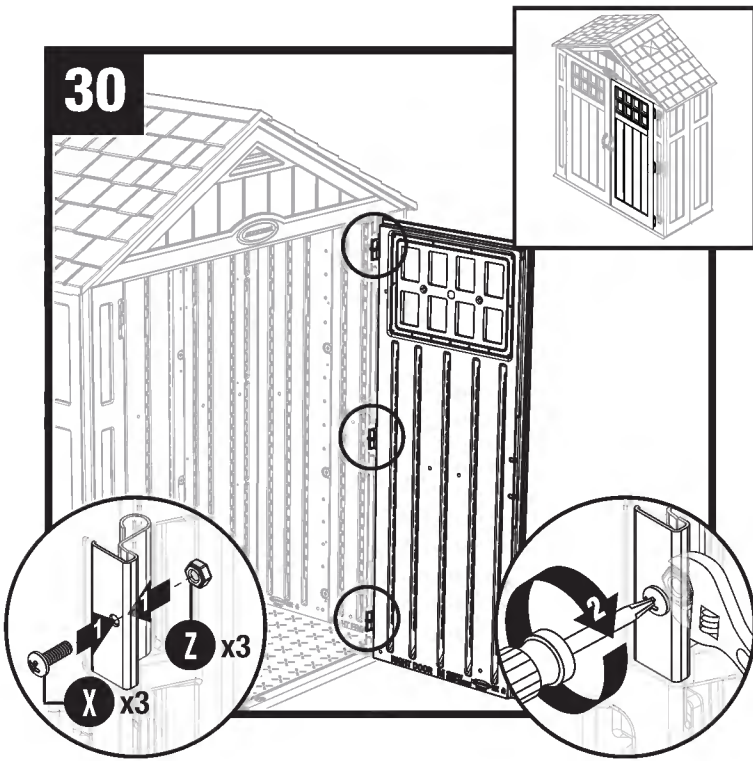
Secure 1 L-bracket (HH) to underside of roof using 2 screws (BB). Repeat for remaining L-bracket.

Assembly - Doors



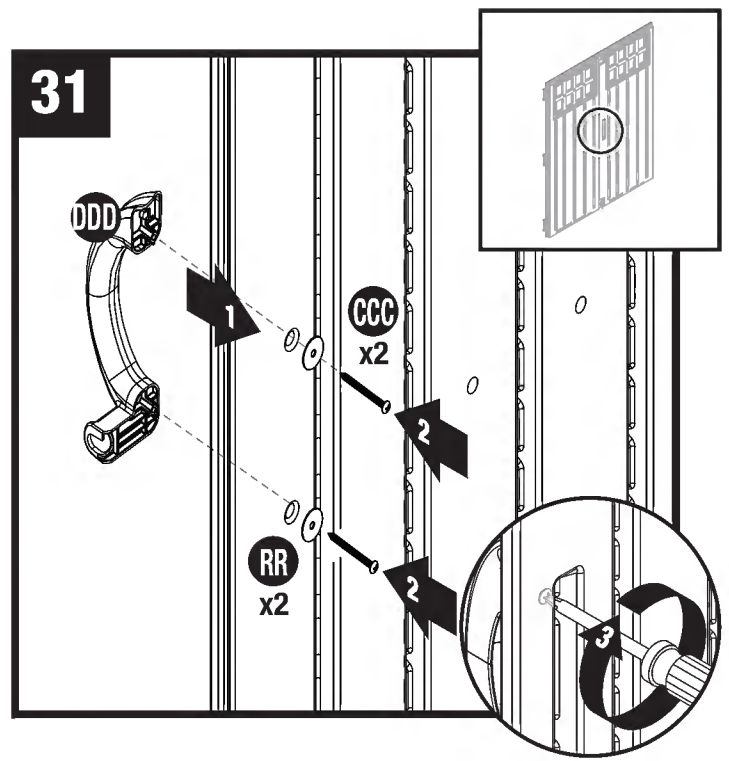
Stand right door (M) upright with three hinge mounts facing right. Slide 1 metal hinge plate (V) up onto each hinge mount. Rotate hinge plates to outside of door.

Rotate metal hinge plates to open position. Slide 1 metal hinge plate over each hinge receptacle on inside of right front panel.

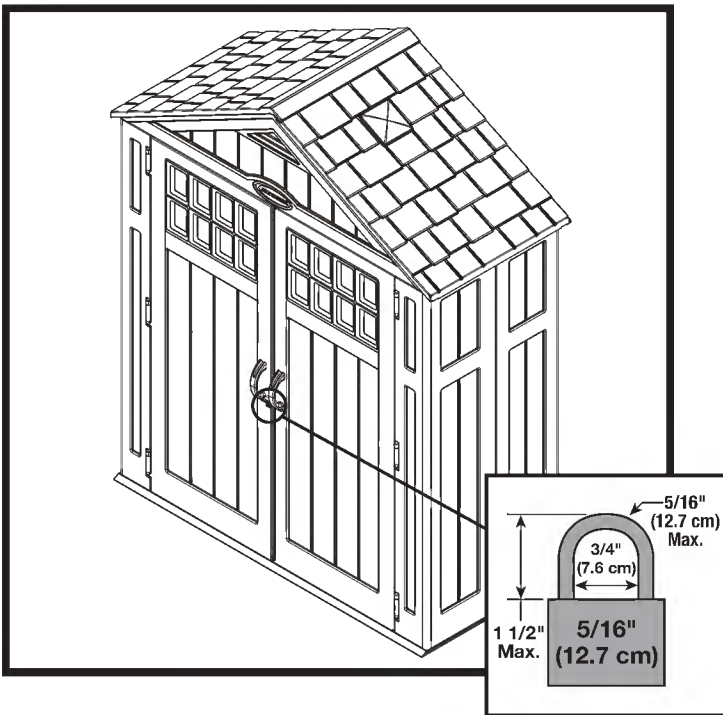


Secure each metal hinge plate with 1 screw (X) and nut (Z).

Repeat steps 28-30 for left door (N).



Attach left door handle (DDD) to left door with 2 screws (CCC) and washers (RR). Repeat for right door handle (EEE) and right door.



Attach a 5/16" lock (not provided) to door handles, to properly secure shed.

NOTE: Lock not included. To maintain warranty coverage, the product should be padlocked at all times when not in use.

