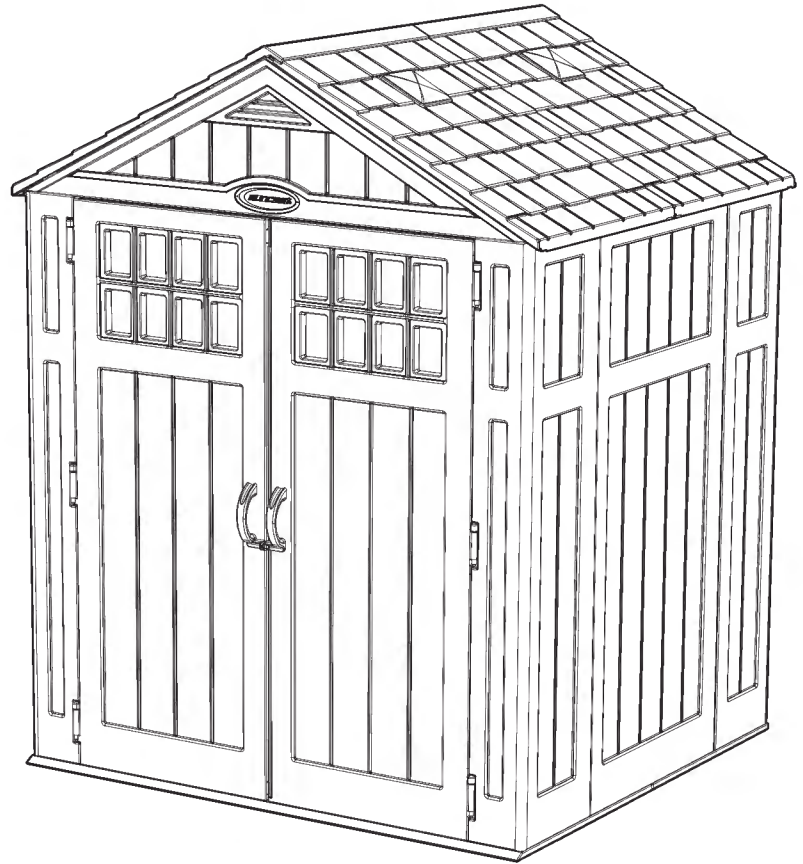
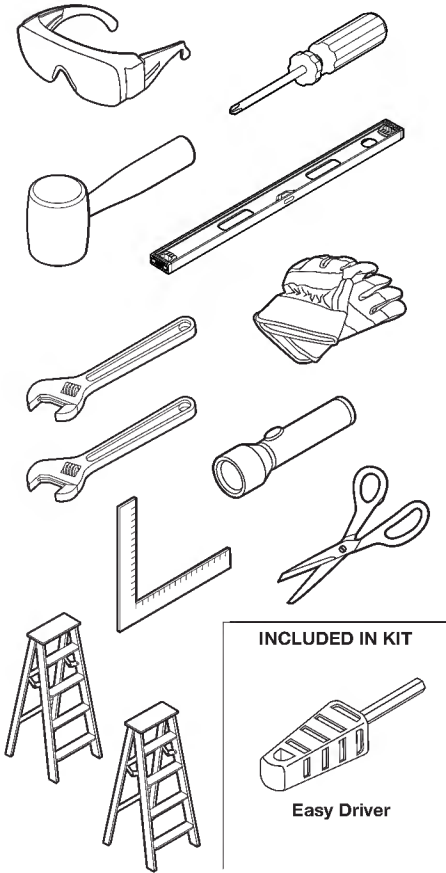


# BMS6511 / BMS6512

## Everett™ Storage Shed

### ASSEMBLY INSTRUCTIONS

#### Tools Required



**SUNCAST®**

Built for Everyday Life™

# Thank you for purchasing this Suncast® product.

## Register within 90 days of purchase to activate Warranty!

Registration is not required for products with a warranty term of 90 days or less.

1. Verify warranty term of your product by visiting [www/suncast.com/warranty](http://www.suncast.com/warranty) (products with a warranty term of 90 days or less do not require registration)
2. Complete registration: fill out the form and upload a copy of your receipt by visiting <https://support.suncast.com> or scanning the QR code



## Have Questions?

For product questions, assembly assistance, replacement parts and more:



<https://support.suncast.com>



Suncast Corporation Customer Care  
701 N. Kirk Road, Batavia, IL 60510



1-800-846-2345

1-630-381-6309



## Before You Begin...

- **Consult your local authorities for any permits required to construct shed.**  
Prior to the construction of your shed, check with the local building code official to review any required permits or building limitations.
- **A level and sturdy foundation is required before shed construction can begin.**  
Review the site preparation information within the manual before beginning assembly.
- **Read instructions thoroughly prior to assembly.**  
This kit contains parts that can be damaged if assembled incorrectly or in the wrong sequence.
- **Please follow instructions.**  
Suncast is not responsible for replacing parts lost or damaged due to incorrect assembly.
- **Assistance is required during entire assembly.**



### **IMPORTANT**

IF FOUNDATION IS REQUIRED, COMPLETE SITE PREPARATION AND FOUNDATION CONSTRUCTION BEFORE UNPACKING ALL PARTS.

OPEN ALL BOXES FIRST AND NEATLY LAYOUT PARTS. SMALL PARTS MAY BE CONTAINED IN EACH BOX. PLEASE REFERENCE THE PARTS LIST WITHIN THIS MANUAL TO VERIFY ALL PARTS ARE PRESENT.



## Caution

- Proper site preparation required.
- Shed not intended for use in extreme weather conditions.
- Shed not intended for storage of flammable or caustic chemicals.
- Store heavy items near the bottom of shed.
- Shed not intended for use by children.
- Do not stand, sit, or store items on storage shed roof.
- Treat carefully in extreme temperatures.
- Repair or replace broken parts immediately.
- Suncast is not responsible for damage caused by weather or misuse.
- At regular intervals, inspect your shed to make sure that assembly integrity has been maintained.
- Periodically check that the location you have chosen to set your shed is still level.
- This kit contains parts with metal edges. Please be careful when handling.



## Care Instructions

- Hot items, such as recently used grills, blowtorches, etc., must not be stored in the shed.
- Heavy articles should not be leaned against the walls, as this may cause panel distortion and permanent damage.
- Keep roof clean of snow and leaves.
- Your product is made of materials that will withstand outdoor use. Exposure to the elements (such as dust, plant and animal life, moisture and sunlight) encourages moss, algae, and mold to grow on outdoor items. To maintain the look of your product, we recommend cleaning it each year with mild soap and water. **DO NOT** use bleach, ammonia, or other caustic cleaners, and **DO NOT** use stiff bristle brushes. Failure to perform annual cleaning could result in permanent staining of the plastic. This is not a manufacturing defect and is not covered under warranty.



## Assembly Day Tips

- Complete site preparation and foundation construction before unpacking parts and beginning assembly.
- **DO NOT** attempt to assemble on a day with strong winds.
- **DO NOT** attempt to assemble on days when temperature is below 32 degrees.
- Set aside appropriate amount of time to completely assemble shed.
- Make sure you have assistance nearby to lift and secure parts in place.
- Wear light duty work gloves while assembling shed.
- Once roof is assembled, a flashlight may be of use when assembling smaller components inside shed.
- **DO NOT** use a power drill to tighten provided Easy Bolts. Use 010210410 EZ Bolt Easy Driver tool (provided) **ONLY**.
- Suncast provides extra hardware for small fasteners for customer convenience. In some cases, there will be extra small fasteners once the assembly is complete.

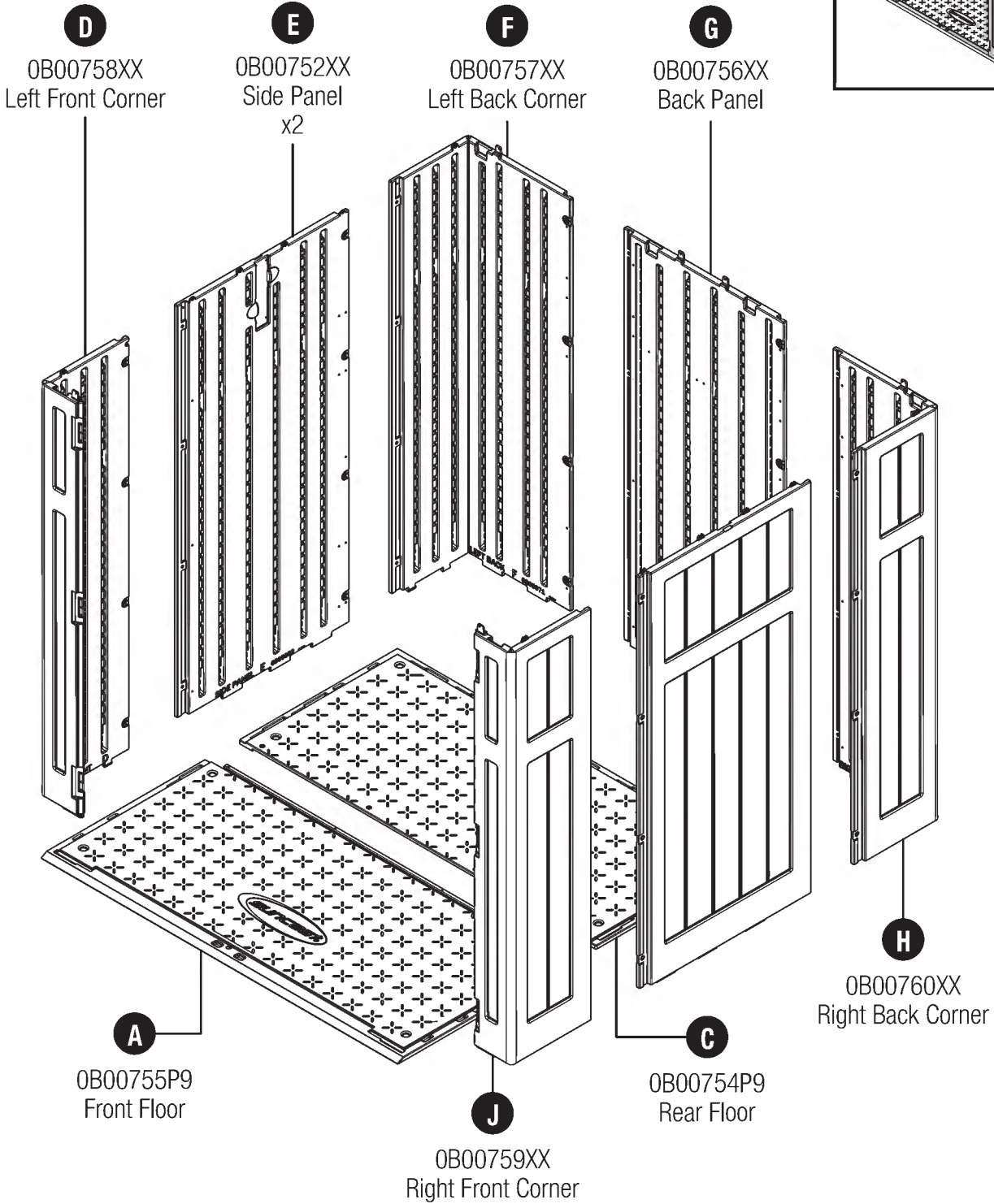
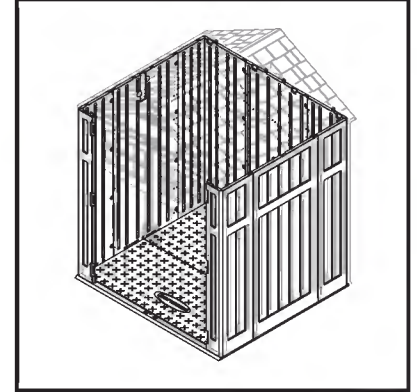
**Note:** This product contains parts that are used in different orientations to construct the shed. Please take note of the orientation of the parts shown throughout this instruction manual. Failure to follow instructions could result in damage to parts. Suncast is not responsible for replacing parts lost or damaged due to incorrect assembly.

# Parts - Walls and Floor

## IMPORTANT

OPEN ALL BOXES FIRST AND NEATLY LAYOUT PARTS. SMALL PARTS MAY BE CONTAINED IN EACH BOX. PLEASE REFERENCE THE PARTS LIST WITHIN THIS MANUAL TO VERIFY ALL PARTS ARE PRESENT.

COMPLETE SITE PREPARATION AND FOUNDATION CONSTRUCTION BEFORE UNPACKING ALL PARTS.

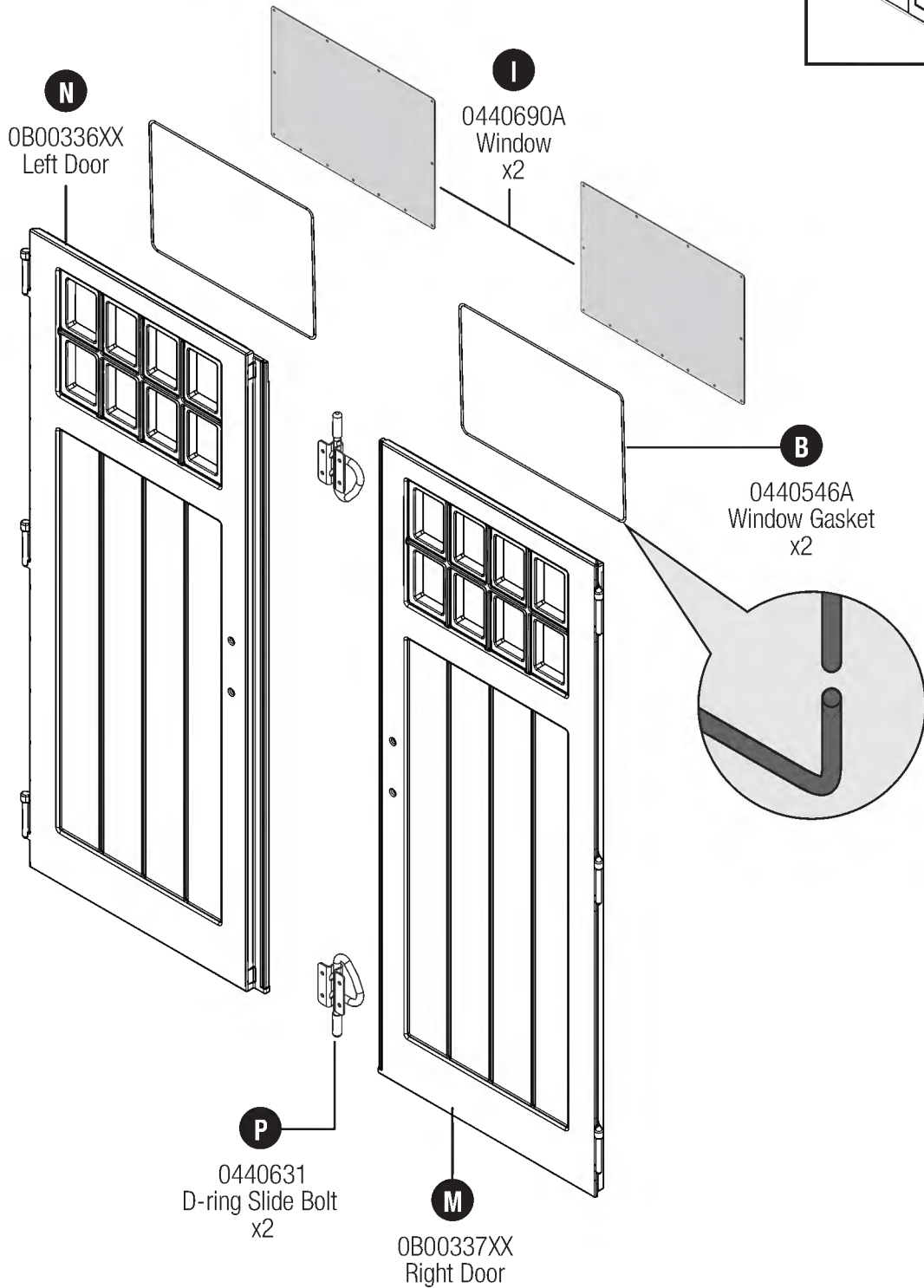
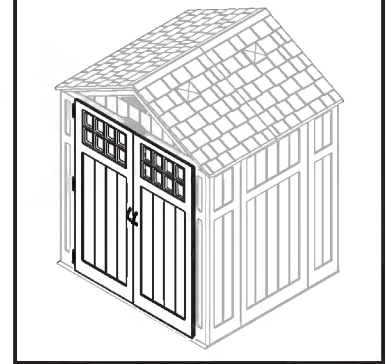


# Parts - Doors

## **IMPORTANT**

OPEN ALL BOXES FIRST AND NEATLY LAYOUT PARTS. SMALL PARTS MAY BE CONTAINED IN EACH BOX. PLEASE REFERENCE THE PARTS LIST WITHIN THIS MANUAL TO VERIFY ALL PARTS ARE PRESENT.

COMPLETE SITE PREPARATION AND FOUNDATION CONSTRUCTION BEFORE UNPACKING ALL PARTS.

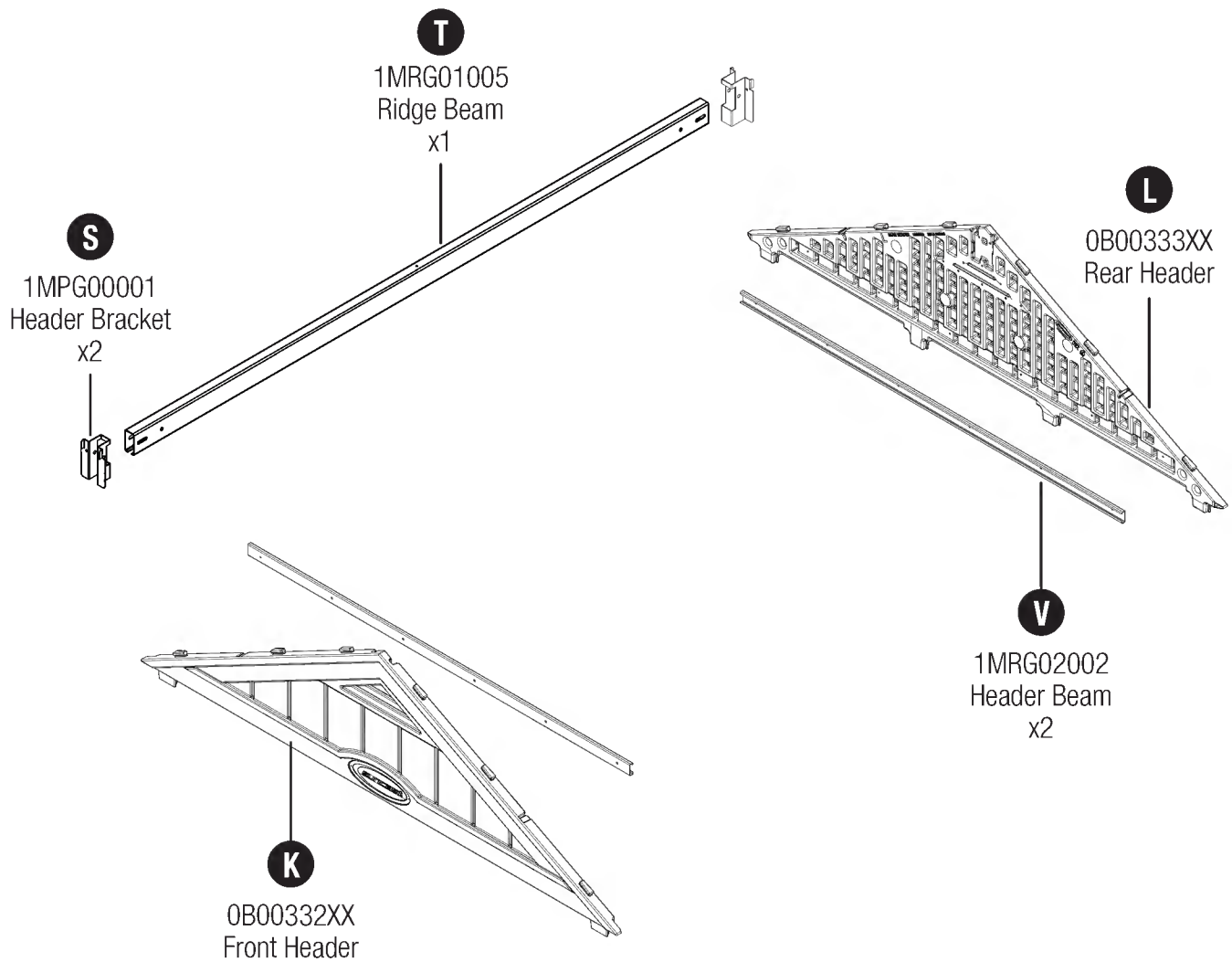
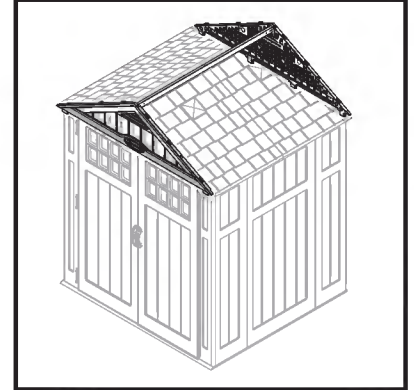


# Parts - Header

## IMPORTANT

OPEN ALL BOXES FIRST AND NEATLY LAYOUT PARTS. SMALL PARTS MAY BE CONTAINED IN EACH BOX. PLEASE REFERENCE THE PARTS LIST WITHIN THIS MANUAL TO VERIFY ALL PARTS ARE PRESENT.

COMPLETE SITE PREPARATION AND FOUNDATION CONSTRUCTION BEFORE UNPACKING ALL PARTS.



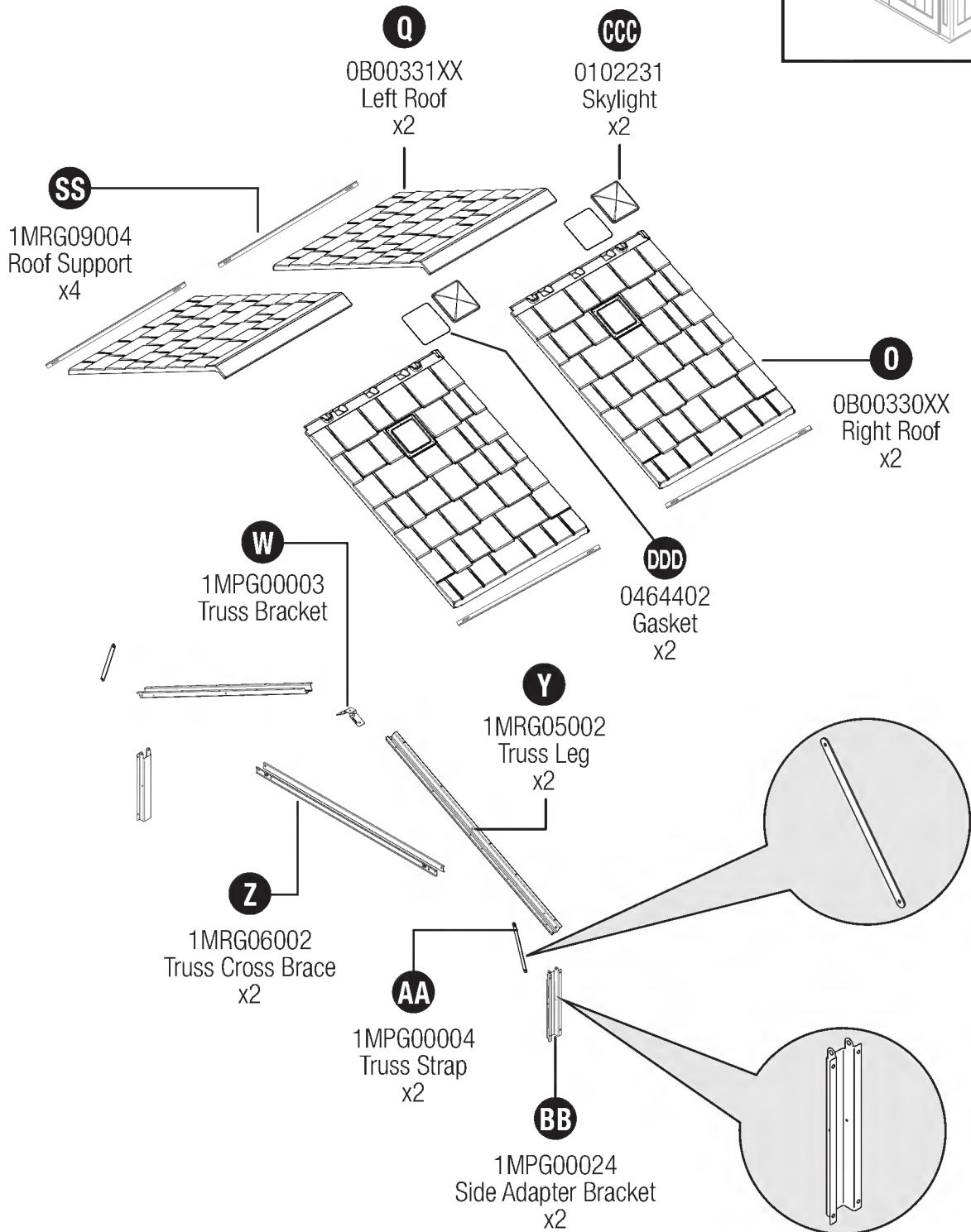
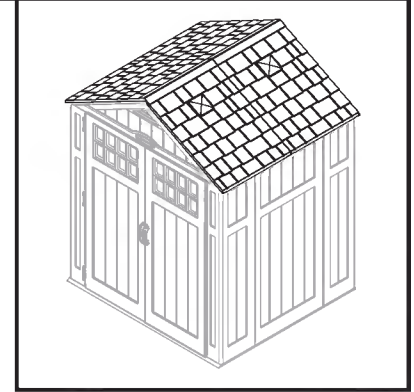


# Parts - Roof

**IMPORTANT**

OPEN ALL BOXES FIRST AND NEATLY LAYOUT PARTS. SMALL PARTS MAY BE CONTAINED IN EACH BOX. PLEASE REFERENCE THE PARTS LIST WITHIN THIS MANUAL TO VERIFY ALL PARTS ARE PRESENT.

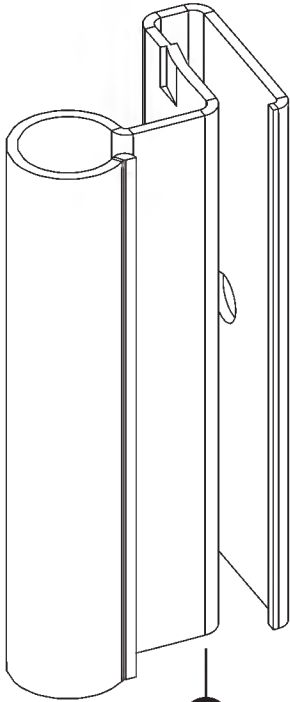
COMPLETE SITE PREPARATION AND FOUNDATION CONSTRUCTION BEFORE UNPACKING ALL PARTS.





# Hardware

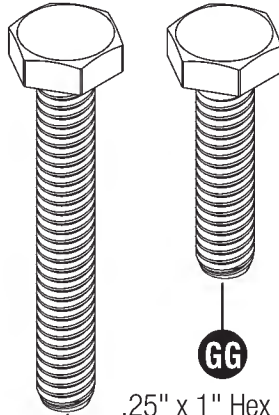
## 0860005 – Hardware Bag



**CC**

OMP000002  
Metal Hinge Plate  
x6

## 0480340 – Hardware Bag

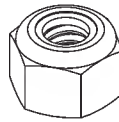


**FF**

.25" x 2" Hex Bolt  
x4

**GG**

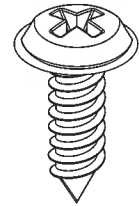
.25" x 1" Hex Bolt  
x2



**HH**

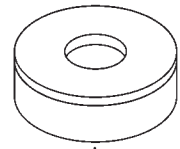
.25" Locking Nut  
x6

## 0480342 – Hardware Bag



**EE**

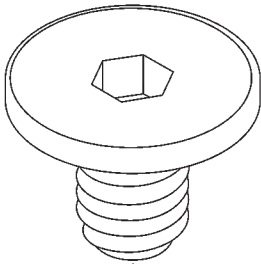
.75" Sealing Screw  
x6



**II**

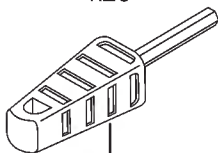
Rubber Washer  
x6

## Hardware Bag



**JJ**

EZ Bolt 7/8"  
x26



**KK**

\*Easy Driver

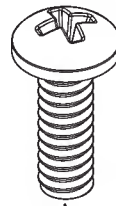
## 0480298A - Hardware Bag - x42 0480336 - Hardware Bag - x125



**LL**

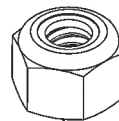
.625" Truss Head Screw

## 0480337 – Hardware Bag



**DD**

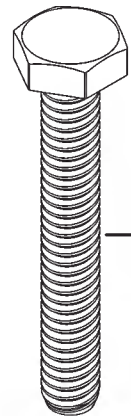
.25" x .75"  
Machine Screw  
x6



**HH**

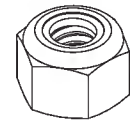
.25" Locking Nut  
x6

## 0480374 – Hardware Bag



**FFF**

.25" x 2" Hex Bolt  
x2

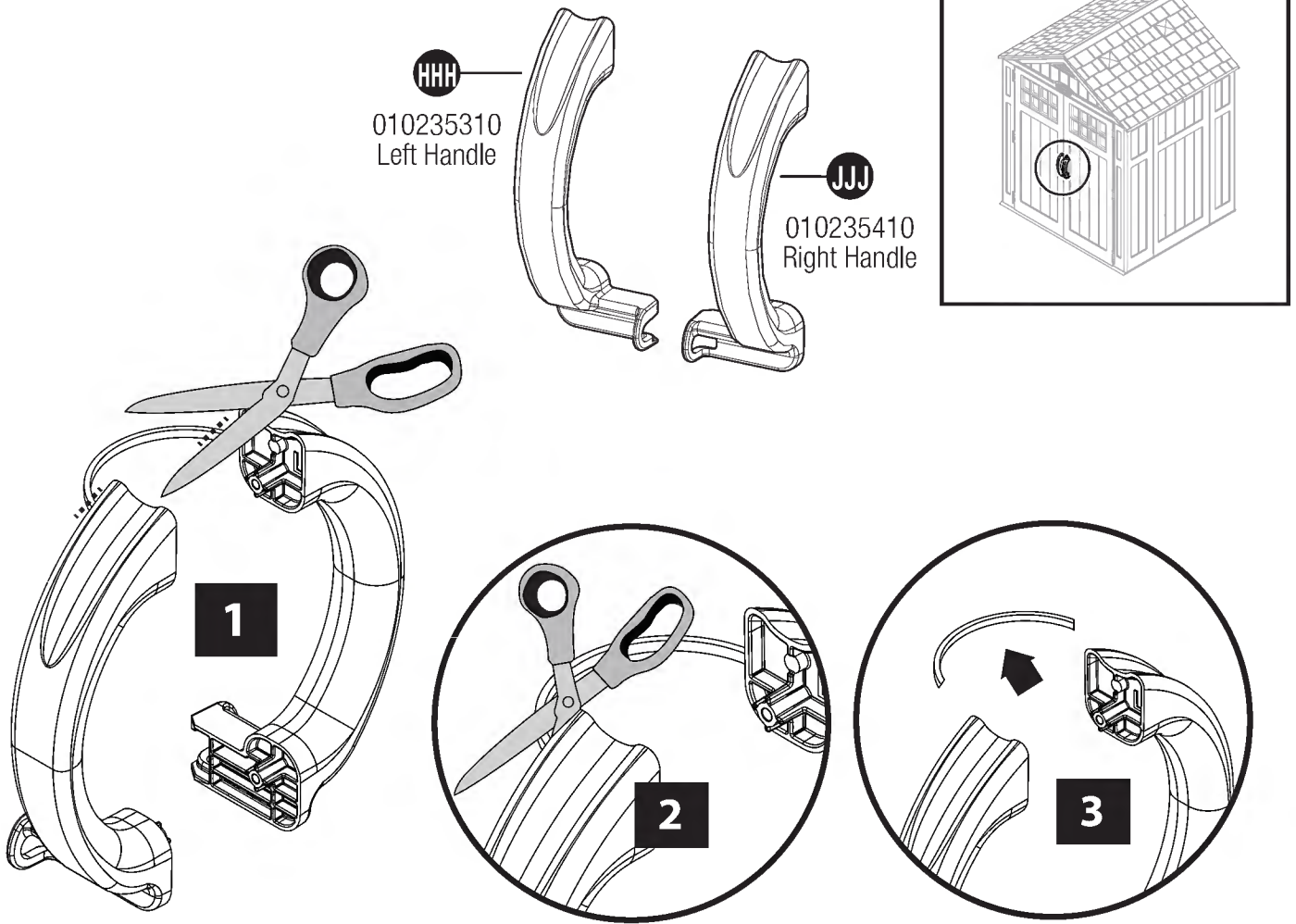


**EEE**

.25" Locking Nut  
x2

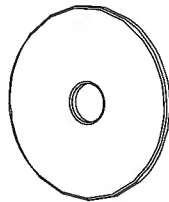
Hardware shown at actual size (\*Unless otherwise noted.) Extra hardware provided. Not all are used.

# Door Handle Kit - 0463282



## Hardware

0480370



RR

.25" Washer  
x4



III

.25" x 2.25" Pan Head Screw  
x4

Hardware shown at actual size (\*Unless otherwise noted.) Extra hardware provided. Not all are used.

# Site Preparation and Platform Construction

Materials **NOT** supplied with Shed Kit

## Important:

- **Site preparation is required for this shed. Placing the shed on a properly constructed, square, flat and level foundation, as described below, is required. Without a properly constructed, square, flat and level foundation, settling will eventually occur, causing distortion and damage to the shed. Suncast is not responsible for replacing parts damaged or property lost due to incorrect foundation construction. Warranty requires a properly constructed foundation as described below.**
- **Complete the site preparation and foundation construction before unpacking parts and beginning assembly. For tips on site preparation, go to [www.suncast.com](http://www.suncast.com), consult retailer, or local codes.**

## Site Preparation

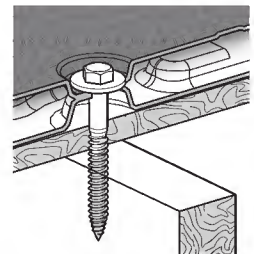
1. Consult your local authorities for building codes and covenants before beginning foundation or erecting shed.
2. Before any digging, check with local utilities to determine location of buried cables, pipes, etc.
3. Decide which type of foundation is most suitable for your installation. **The foundation surface must be square, flat and level.** Follow the below guidelines for foundation options:

### Concrete Slab

- Construct a slab of at least 4" thickness.
- The use of reinforcement bar is recommended.
- 4. Complete the foundation preparations as follows:
  - A vapor barrier may be applied over the foundation to prevent excessive condensation in the shed. Follow local building codes for a proper vapor barrier.
  - The ground should slope away from the foundation area to provide drainage.

### Wood Platform

- Use exterior grade wood.
- Set the wood platform on pier blocks or footing.



Anchor section example

## Anchoring the Floor Panels to the Foundation

- Shed floor panels include flattened areas where anchors or lag screws are to be secured. These flat areas must be drilled through prior to securing the floor panels to the foundation.

### Concrete Slab

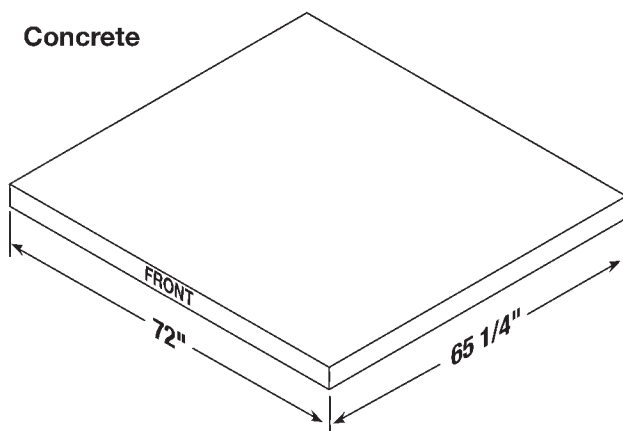
- Secure shed to concrete slab using 3/8" masonry anchors with 1" washers. Masonry anchors and 1" washers are available at most local hardware retailers. **8 masonry anchors are required for the Suncast BMS6511/BMS6512 Shed.**

### Wood Platform

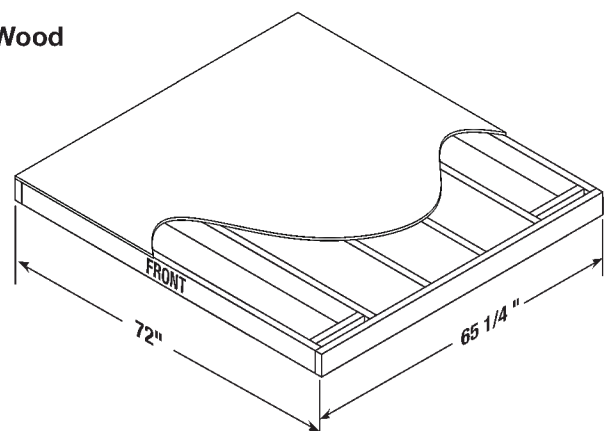
- Secure shed to wood platform using 1/4" - 3/8" x 3" lag screws with 1" washers. Lag screws and 1" washers are available at most local hardware retailers. **8 lag screws are required for the Suncast BMS6511/BMS6512 Shed.**

**Note:** Shed floor fastening locations are designed to align with the under-structure layout. Be sure the front of the base panels are oriented correctly on the platform to ensure lag bolts engage with the under-structure.

#### Concrete



#### Wood



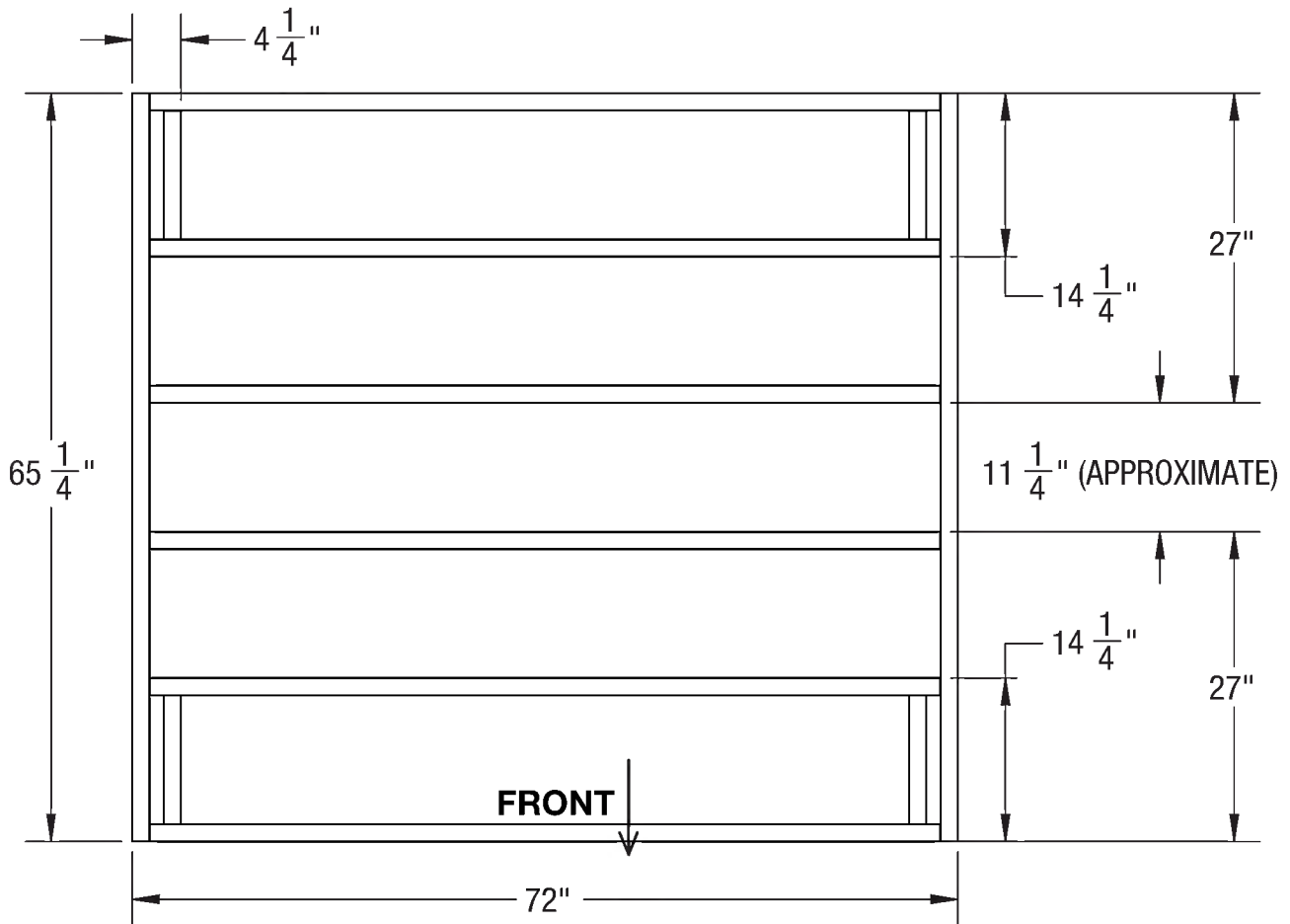
\* Dimensions allow for shed to fit within the nearest 1" on each side.

## Site Preparation and Platform Construction (continued)

Materials **NOT** supplied with Shed Kit

### Wood platform critical spacing

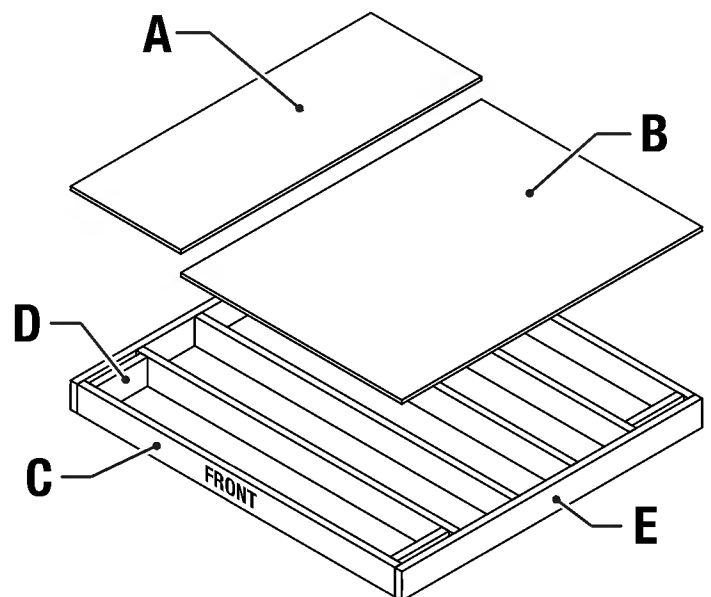
- Check all critical spacing measurements carefully.



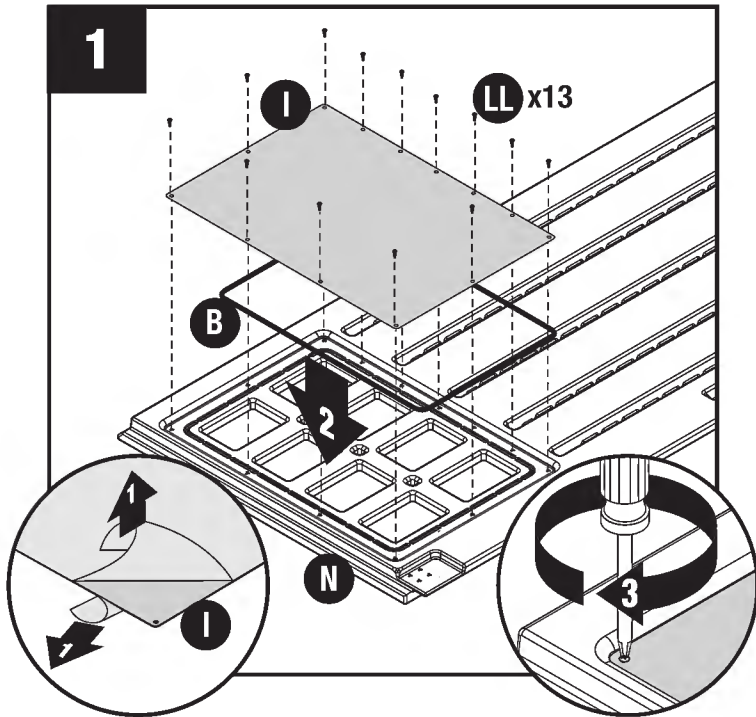
### Wood platform materials list

Item	Qty	Size
A	1	24" x $65 \frac{1}{4}$ " x $\frac{3}{4}$ "
B	1	48" x $65 \frac{1}{4}$ " x $\frac{3}{4}$ "
C	6	2" x 6" x 69"
D	4	2" x 6" x $11 \frac{1}{4}$ "
E	2	2" x 6" x $65 \frac{1}{4}$ "

- Please note, 2 x 6 dimensional lumber is actually  $\frac{1}{2}$ " smaller than noted sizes. Dimensions given presume standard 1.5" x 5.5" actual size lumber. Lumber dimensions can vary. Check lumber dimensions before cutting and make appropriate adjustments to achieve given dimensions. Cut sizes are actual size.



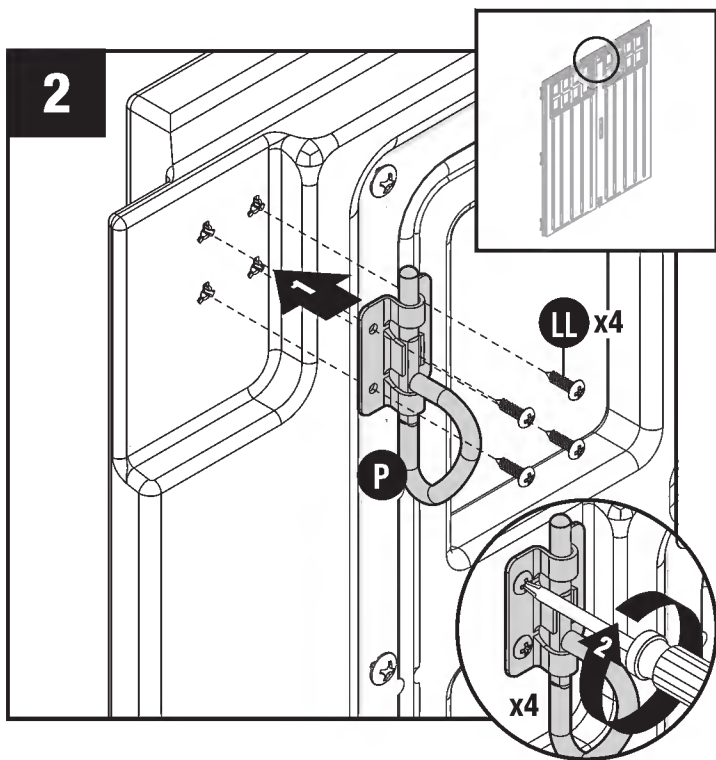
# Pre-Assembly



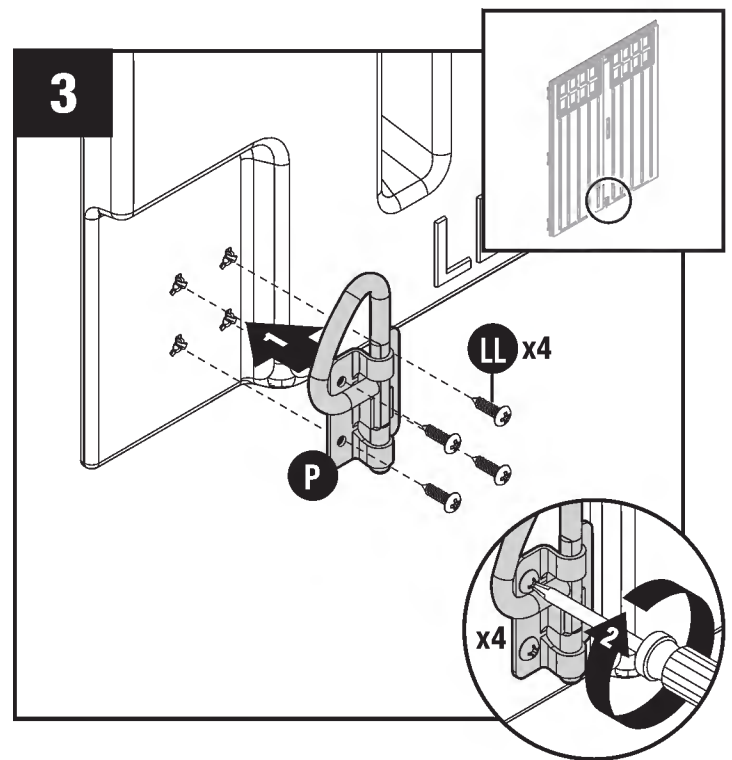
If window film is present, peel film from both sides of window (I).

Lay left door (N) on flat ground with window screw attachments facing up. Place window gasket (B) into door channel, then place window (I). Cut excess gasket length. Through backside of door, secure layers with thirteen screws (LL)—start with four corner screws and then finish with remaining screws. **DO NOT** over tighten screws. Repeat on right door (M).

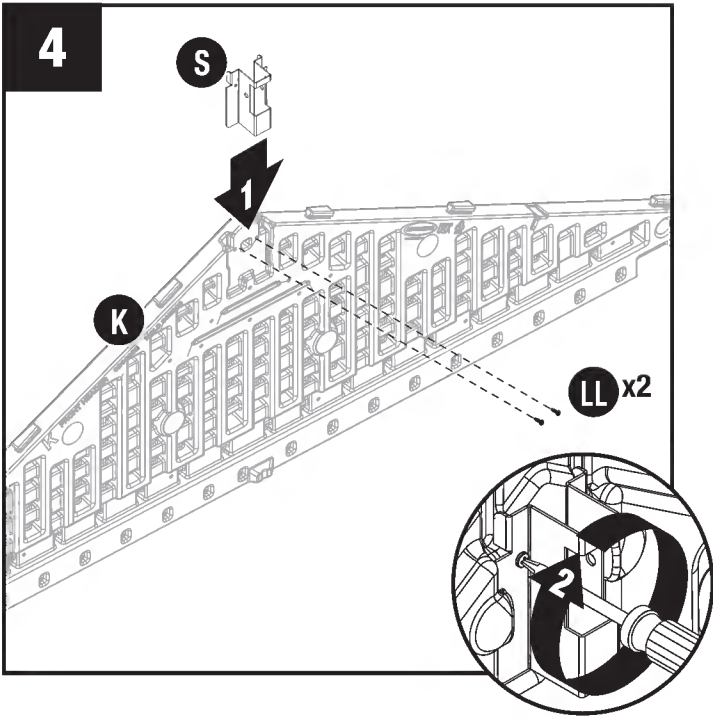
**Note:** The cut portion of window gasket (B) **MUST** be assembled on top of door channel.



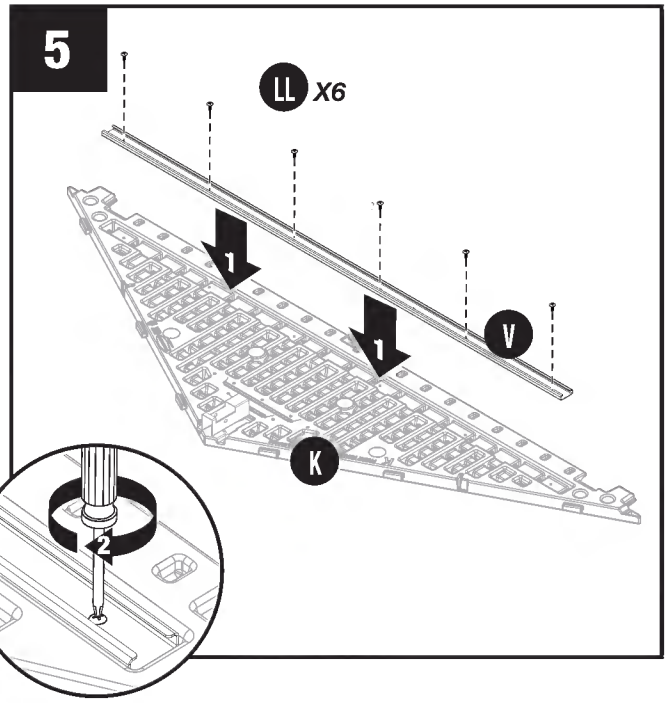
At top interior side of left door, attach D-ring side bolt (P) with four screws (LL) through provided holes.



At bottom interior side of left door, attach D-ring slide bolt (P) with four screws (LL) through provided holes.

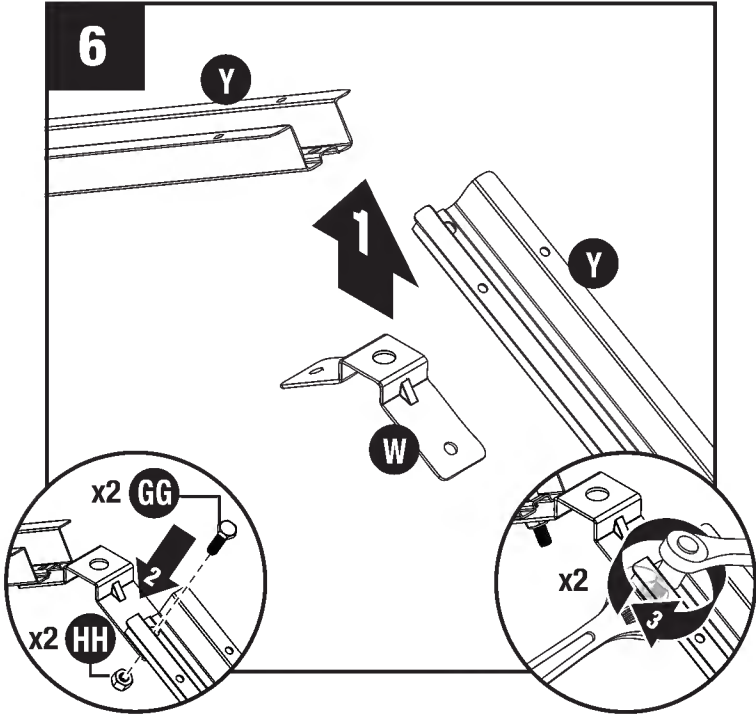


Slide header bracket (S) under tabs on inside peak of front header (K) and secure with two screws (LL). **DO NOT** over tighten screws.



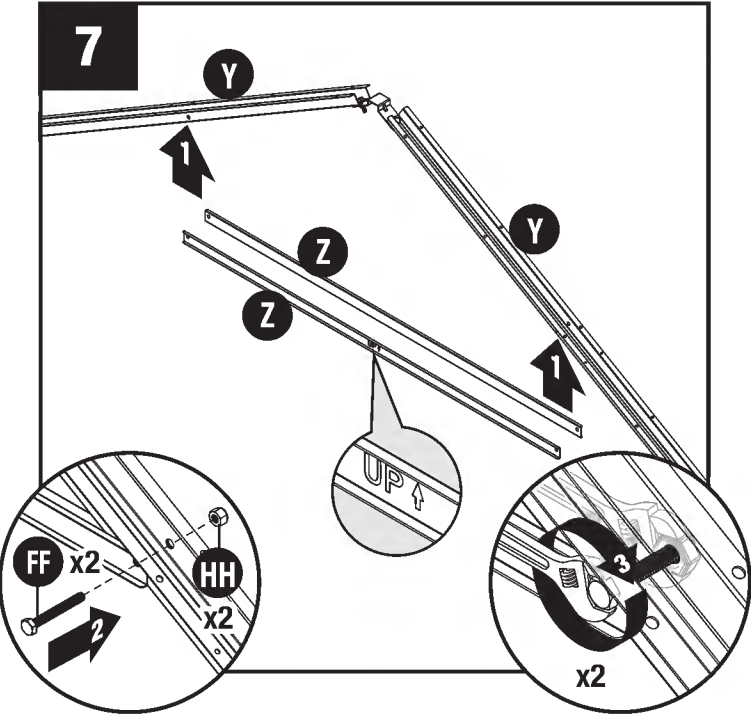
Insert header beam (V) into header (K). Attach using six screws (LL). **DO NOT** over tighten screws.

Repeat steps 4-5 for rear header (L).



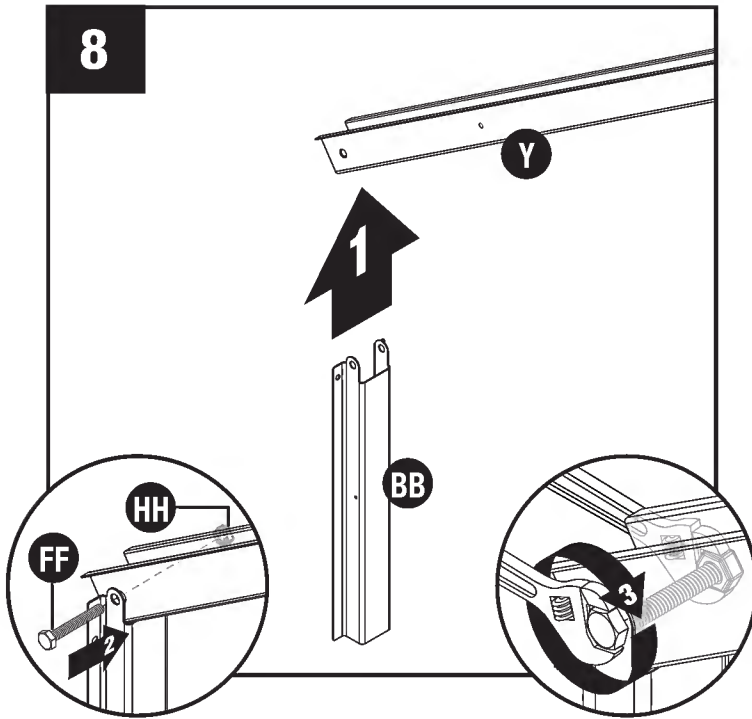
Attach truss bracket (W) to end of one truss leg (Y) with 1" hex bolt (GG) and nut (HH). **REPEAT WITH OTHER TRUSS LEG.**

**Note:** Make sure side hole is at other end, as shown in step 8.



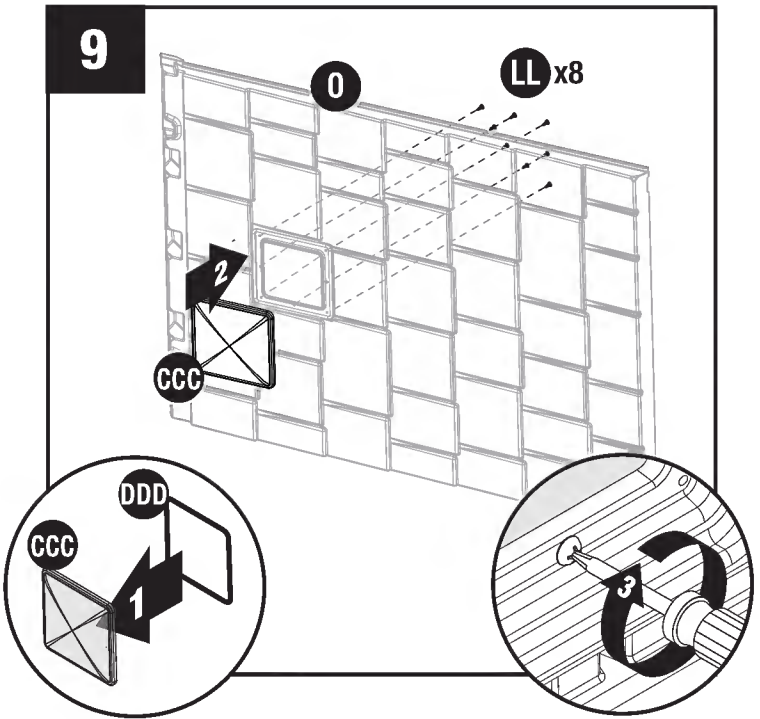
Attach truss cross beam (Z) to two truss legs (Y) using two hex bolts (FF) and two nuts (HH). Stand truss and check cross beam is level.





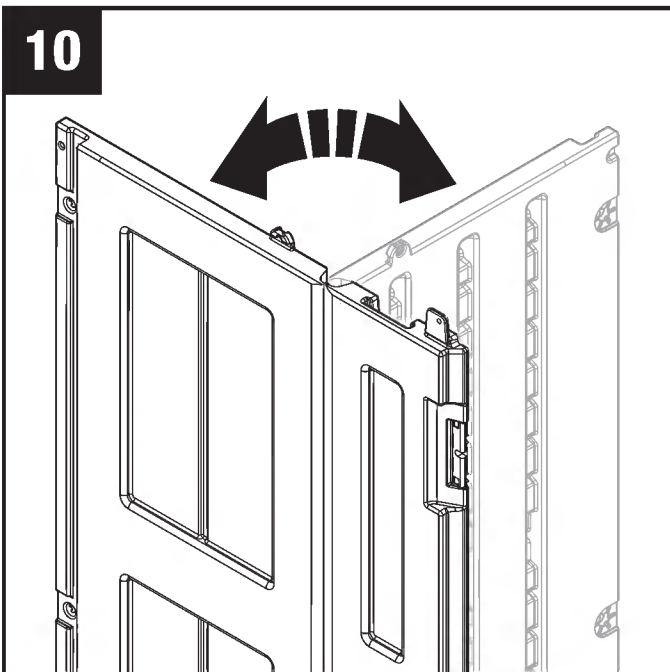
Place side adaptor bracket (BB) at end of left truss leg (Y). Secure adaptor bracket with one 2" hex bolt (FF) and one nut (HH). Repeat for remaining side adaptor bracket (BB).

**Note:** DO NOT over tighten side adaptor bracket (BB) onto end of truss leg (Y). Roof panels will assemble to truss legs (Y) in later step. After shed assembly is completed, check that all hardware is securely fastened.



Place skylight gasket (DDD) into skylight (CCC). Place skylight (CCC) onto right roof panel (O). Secure from underside with eight screws (LL). Make sure rib on roof panel is seated fully against gasket on skylight. Repeat for remaining roof panels.

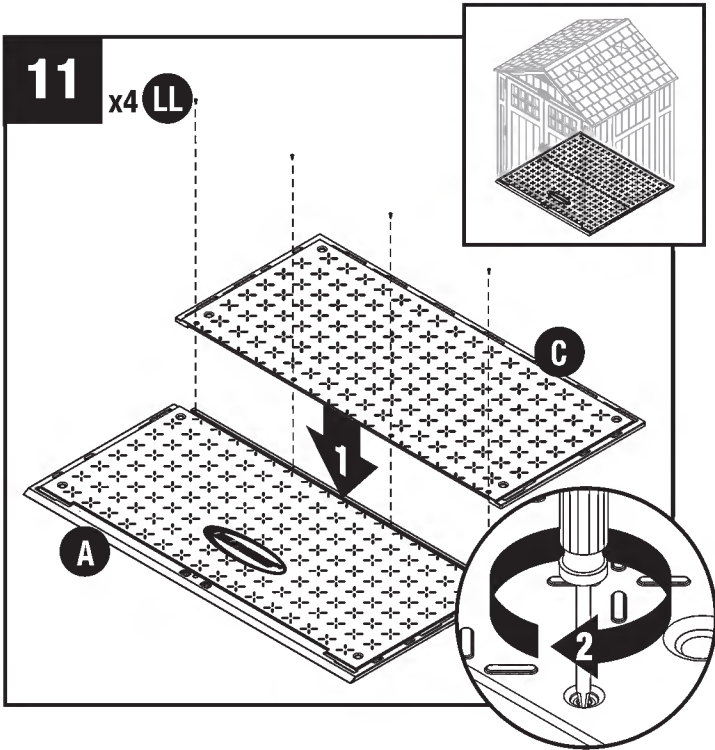
## Shed Assembly/Walls



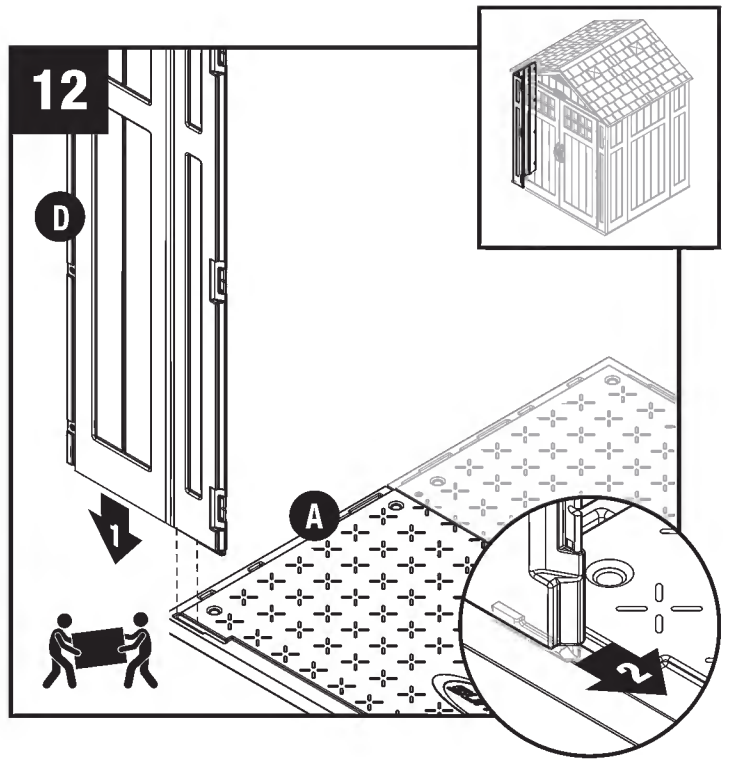
**Critical:** When installing corners, flex corner hinges back and forth several times. This will help provide a square corner and ensure proper fit of remaining panels.

**Important: DO NOT** flex in reverse position, as this can crack the panel.



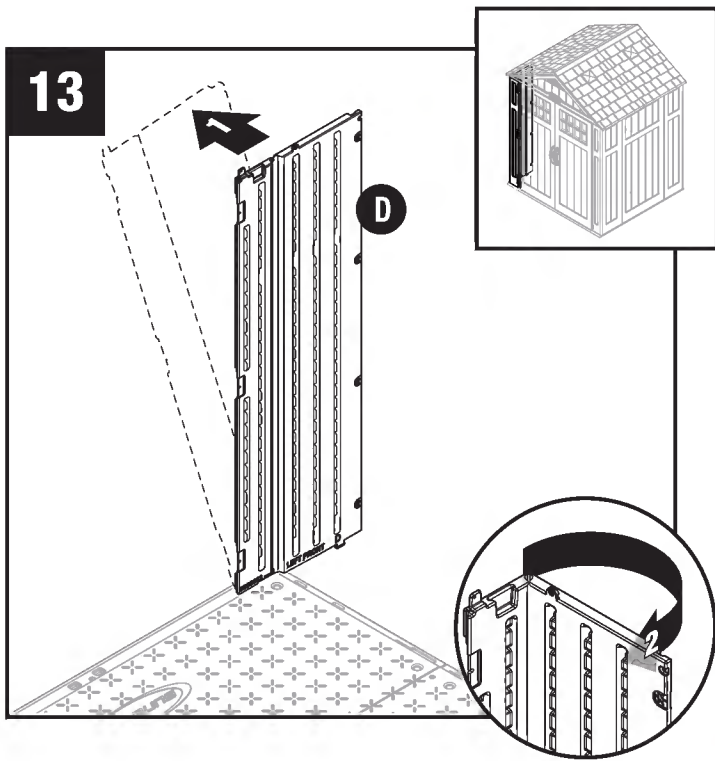


Push front floor (A) and rear floor (C) panels together and secure with four screws (LL).

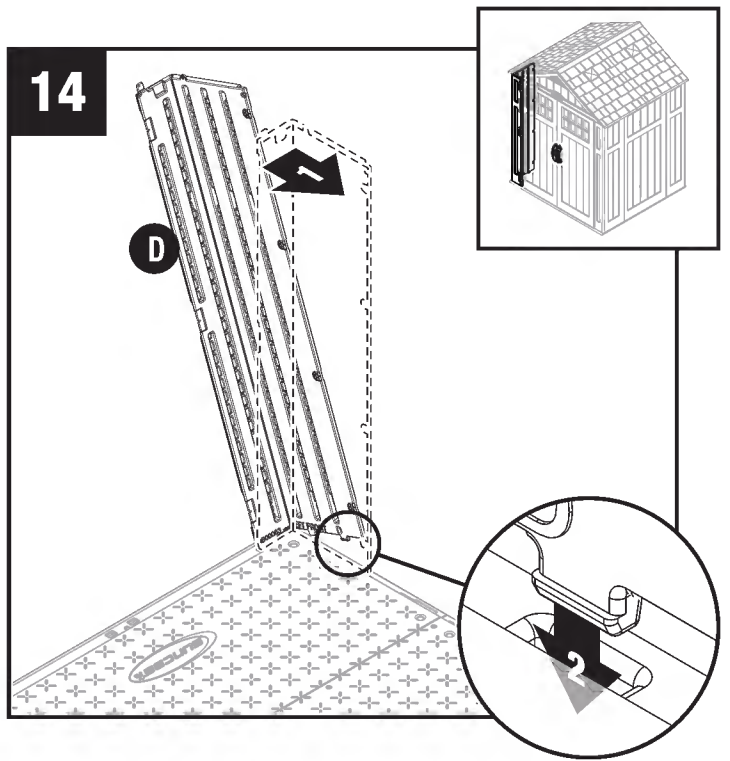


Align tab on bottom right side of left front corner (D) with slot on front floor (A). Lower panel into slot and lock in place by sliding panel toward door opening.

**Note:** Use a rubber mallet to “push” left front corner (D) into locked position.



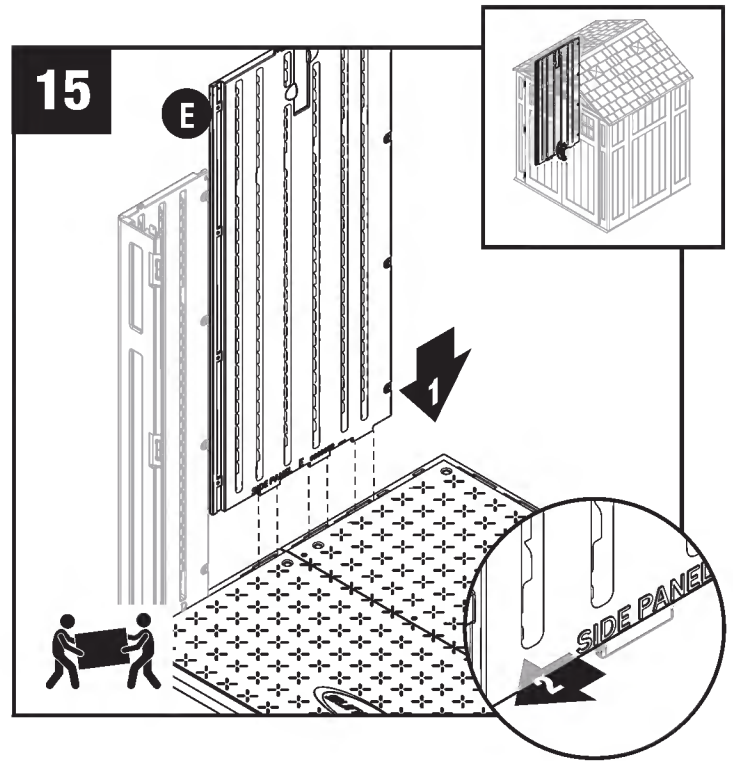
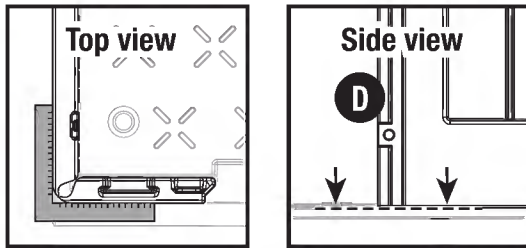
Tip left front corner (D) back to vertical position and align lower tabs on right side with slots in floor.



Tip left front corner (D) back to vertical position and align lower tabs on right side with slots in floor.

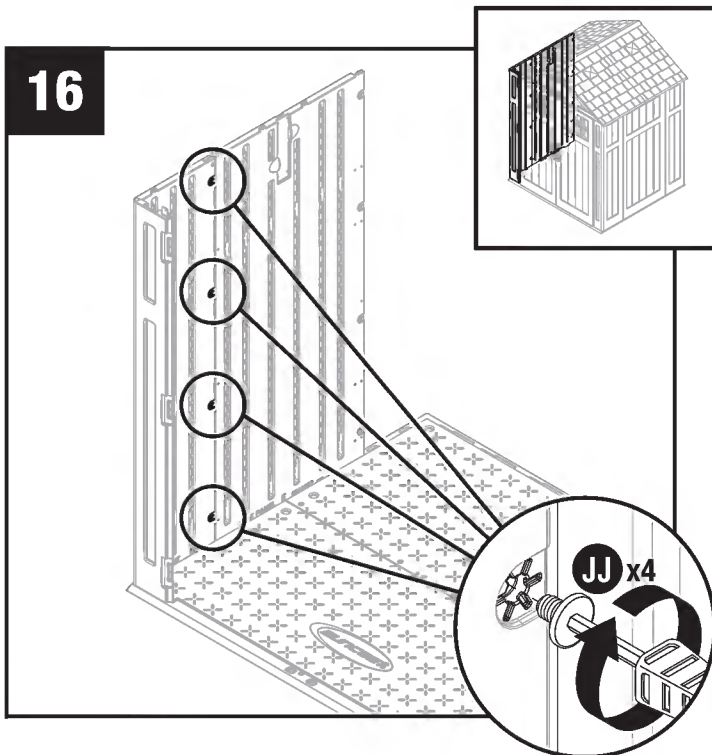
Before proceeding, make sure corner is square (top view) where it meets the floor and that panel is flush (side view) with floor.

If not, repeat Steps 12-14 until square and flush.



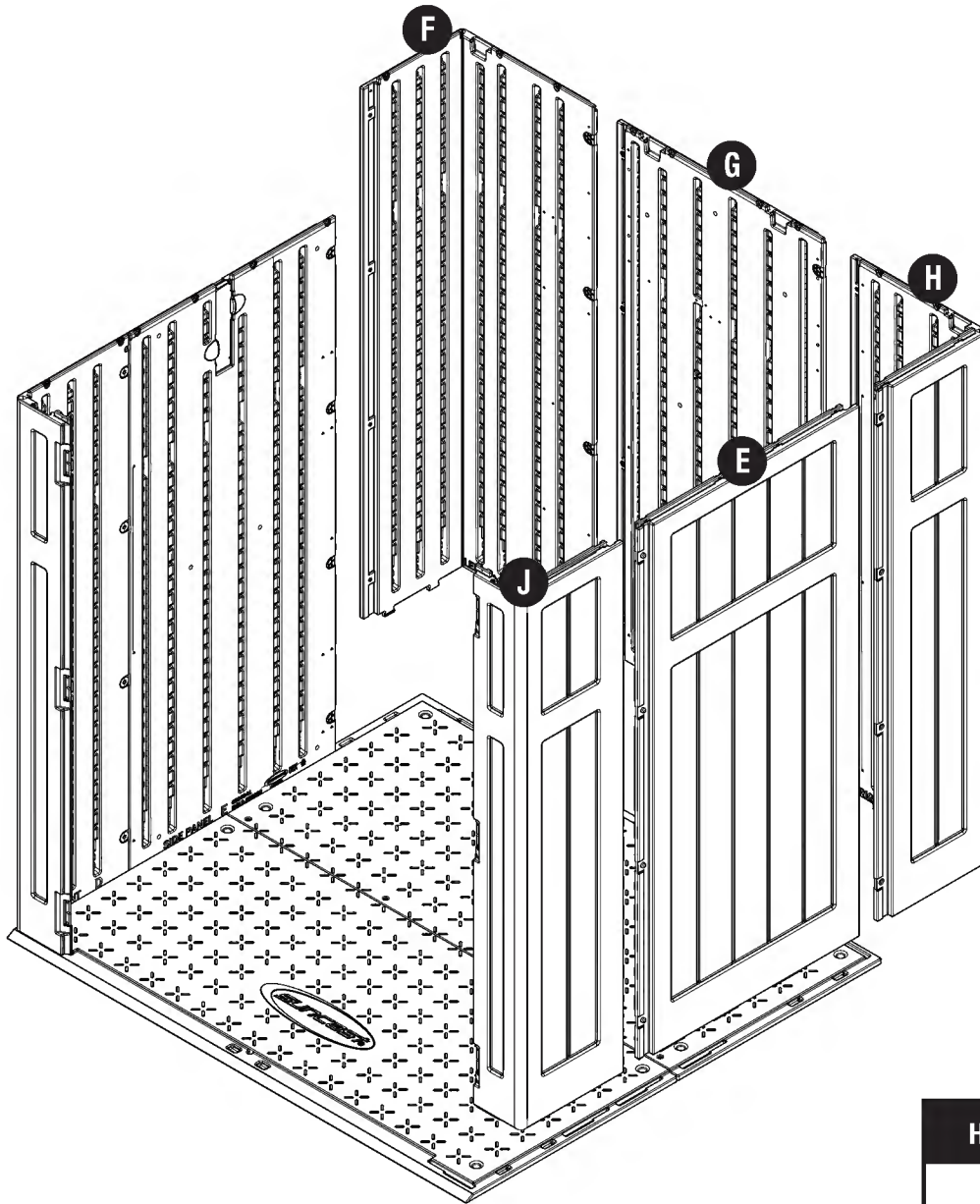
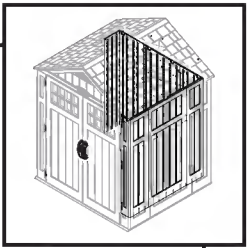
Align tabs on bottom of side panel (E) with slots along front and rear floors. Lower panel into slots and lock in place by sliding panel toward front corner.

 **Note:** Use a rubber mallet to “push” side panel (E) into locked position.



Secure side panel with four easy bolts (JJ), working from floor to roof. DO NOT use torque wrench. Use easy bolt easy driver (KK) and hand tighten. Easy bolt head will be flush when fully seated. DO NOT over tighten easy bolts.

**Note:** You may hear a click when easy bolt has been tightened completely.

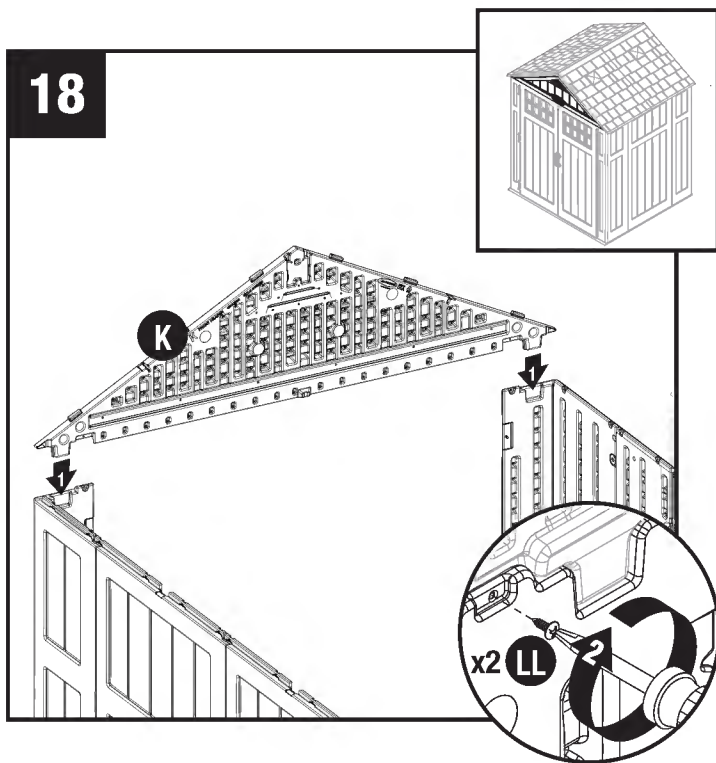


**Hardware Needed**

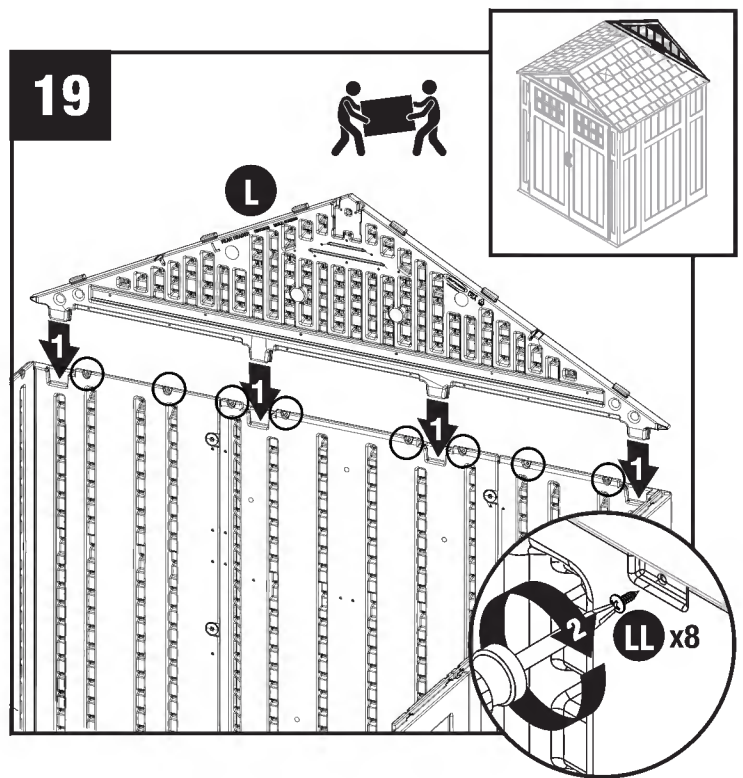
**JJ x20**

Repeat Steps 12-16 for remaining panels.

# Shed Assembly/Headers

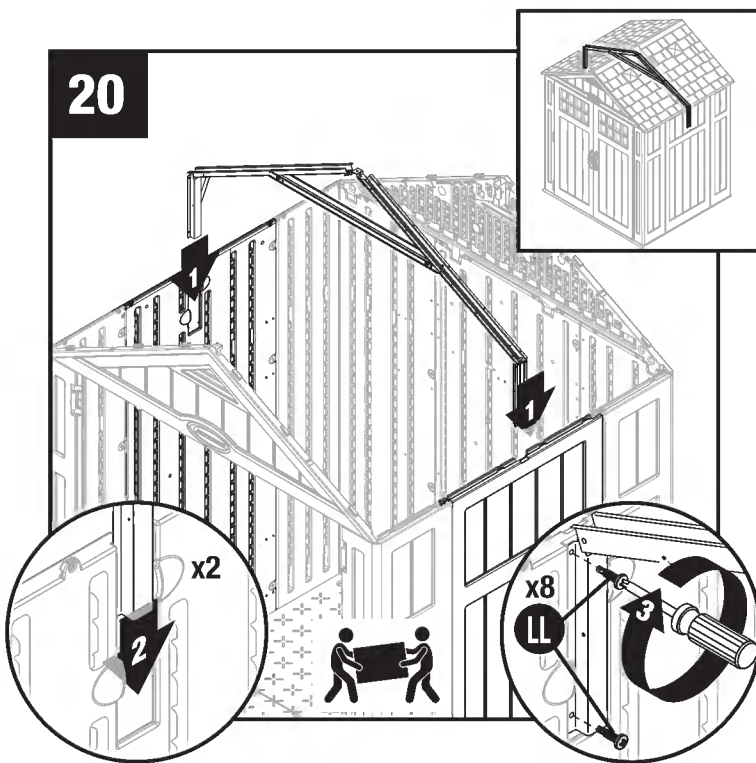


Place front header (K) over door opening and fit the two protruding support legs on left and right front corners into pockets molded in front header. Tabs on front header must be seated in header channel pocket. Secure front header using two screws (LL).

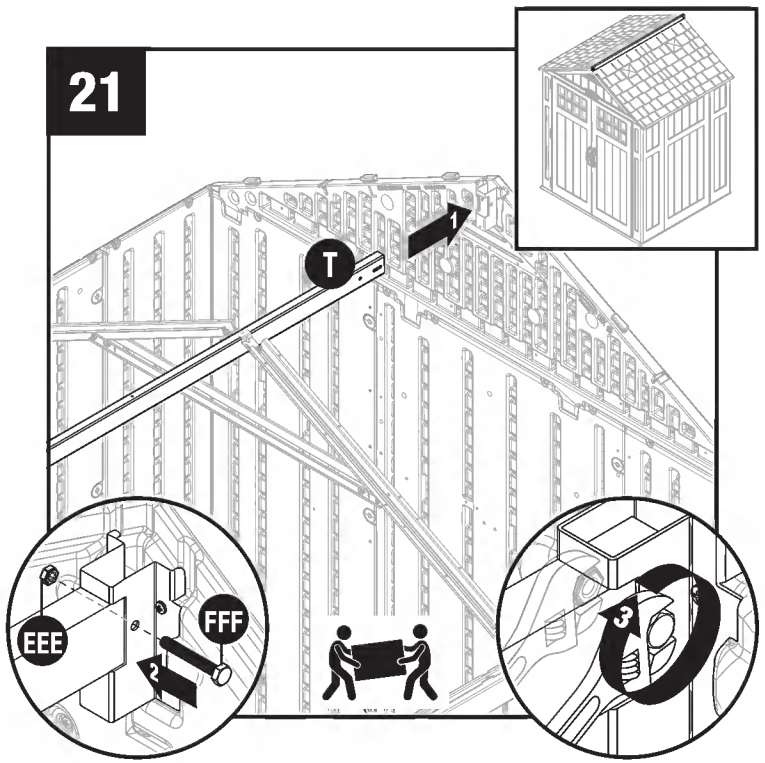


Place rear header (L) over back walls and fit the two protruding support legs on left and right back corners into pockets molded in rear header. Tabs on rear header must be seated in header channel pocket. Secure rear header using eight screws (LL).



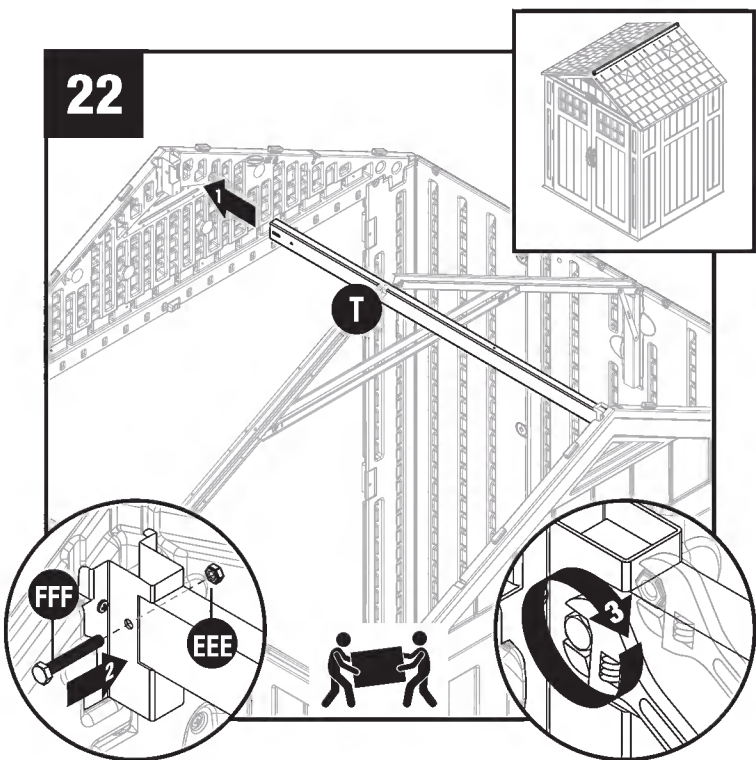


Slide truss assembly into place. Secure to side panels with four screws (LL) in each side adapter bracket.



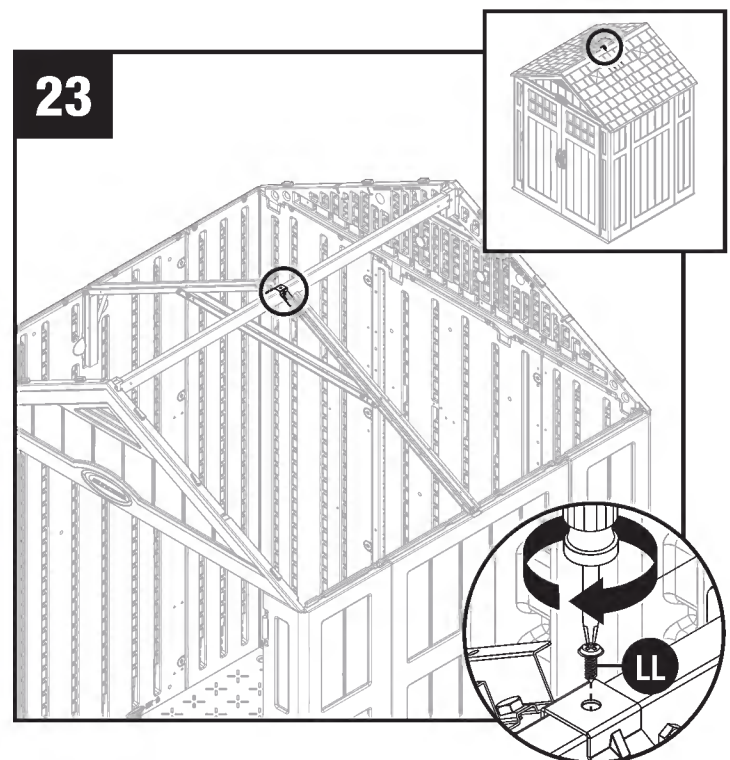
Raise ridge beam (T) up and into rear roof ridge beam bracket. Secure with one 2" hex bolt (FFF) and one nut (EEE).

**Note:** Alignment of ridge beam to bracket may require header panels to be pushed inwards or outwards slightly as ridge beam is slid into place.



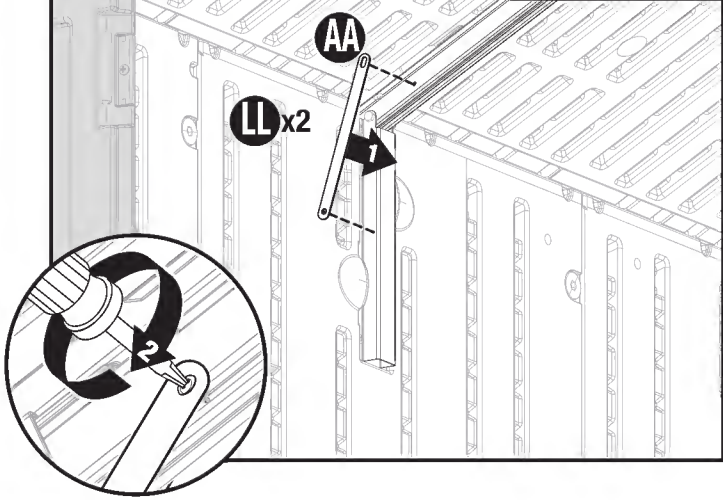
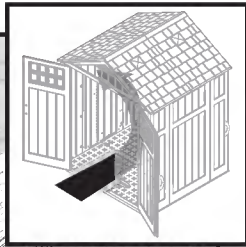
Slide ridge beam (T) into front roof ridge beam bracket. Secure with one 2" hex bolt (FFF) and one nut (EEE).

**Note:** Alignment of ridge beam to bracket may require header panels to be pushed inwards or outwards slightly as ridge beam is slid into place.



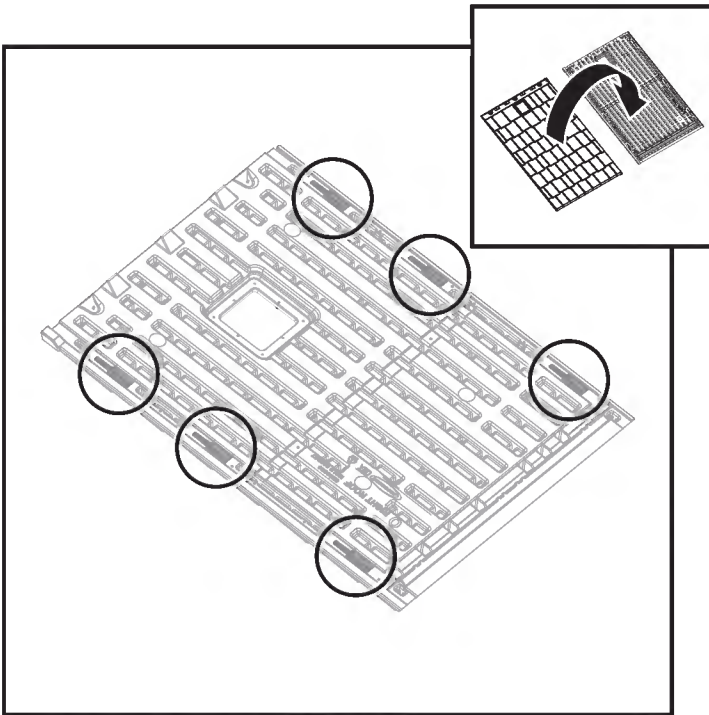
Attach the roof truss assembly to the ridge beam with one screw (LL).

24

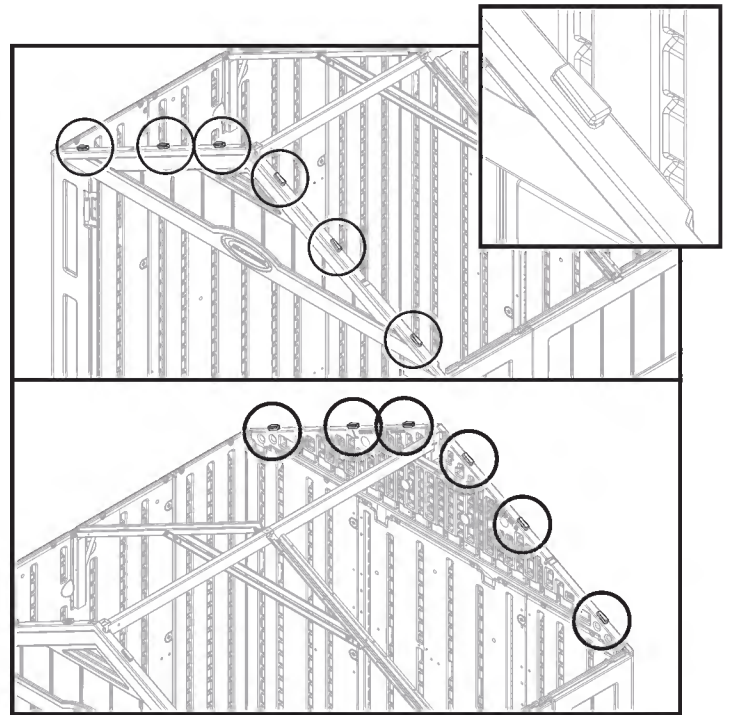


Attach one truss strap (AA) at each end of truss legs. Secure each truss strap with two screws (LL). Repeat for remaining truss straps.

## Shed Assembly/Roof



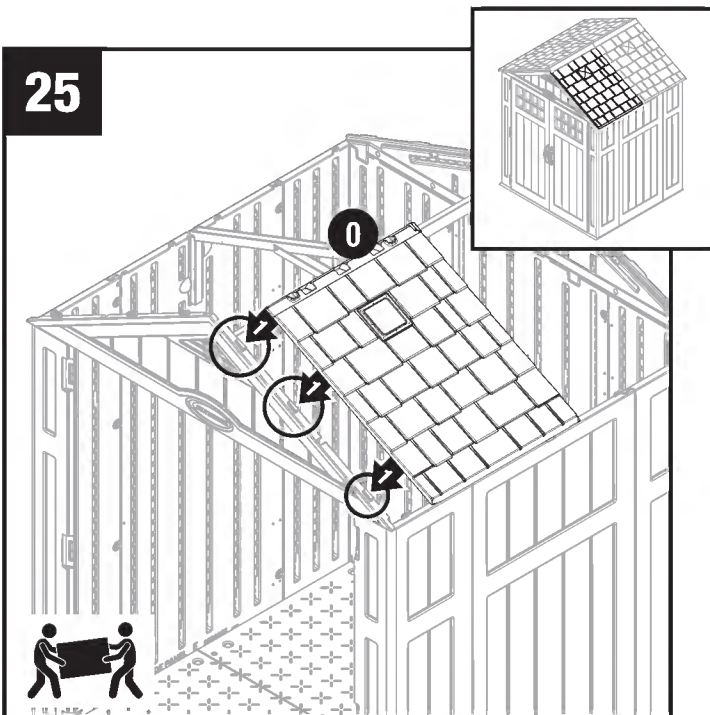
Before proceeding, locate and identify the six slots on interior side of right and left roof panels.



Before proceeding, locate and identify the six front header tabs and six rear header tabs.

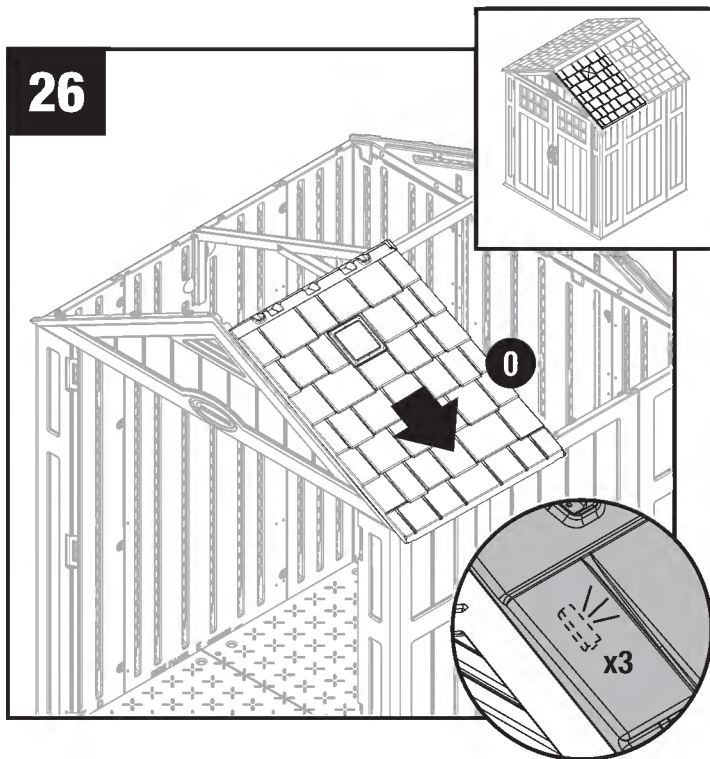


25



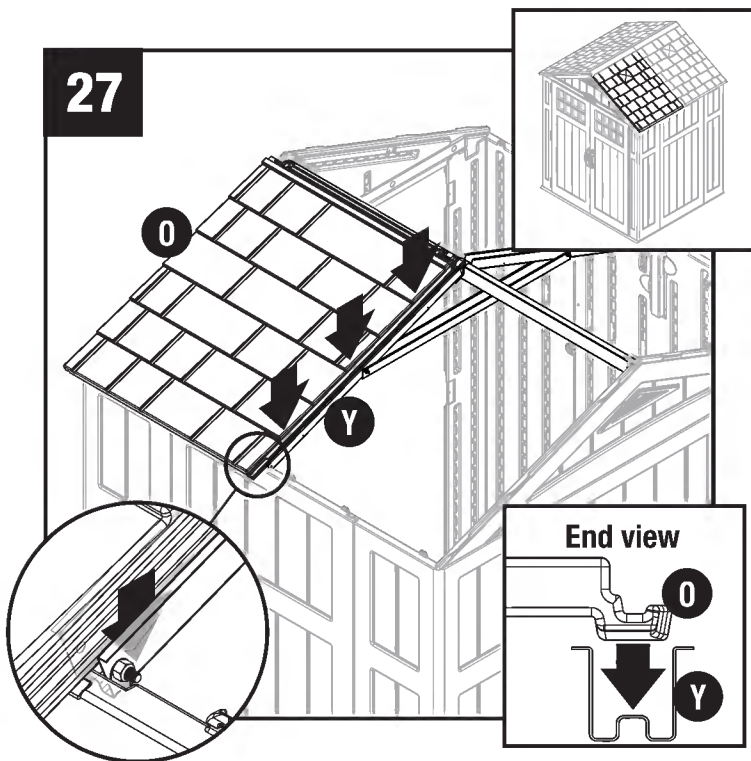
Lay right roof (O) directly over the three tabs on right side of front header (K). With right roof slots seated over/on header tabs, check alignment in all three spots.

26



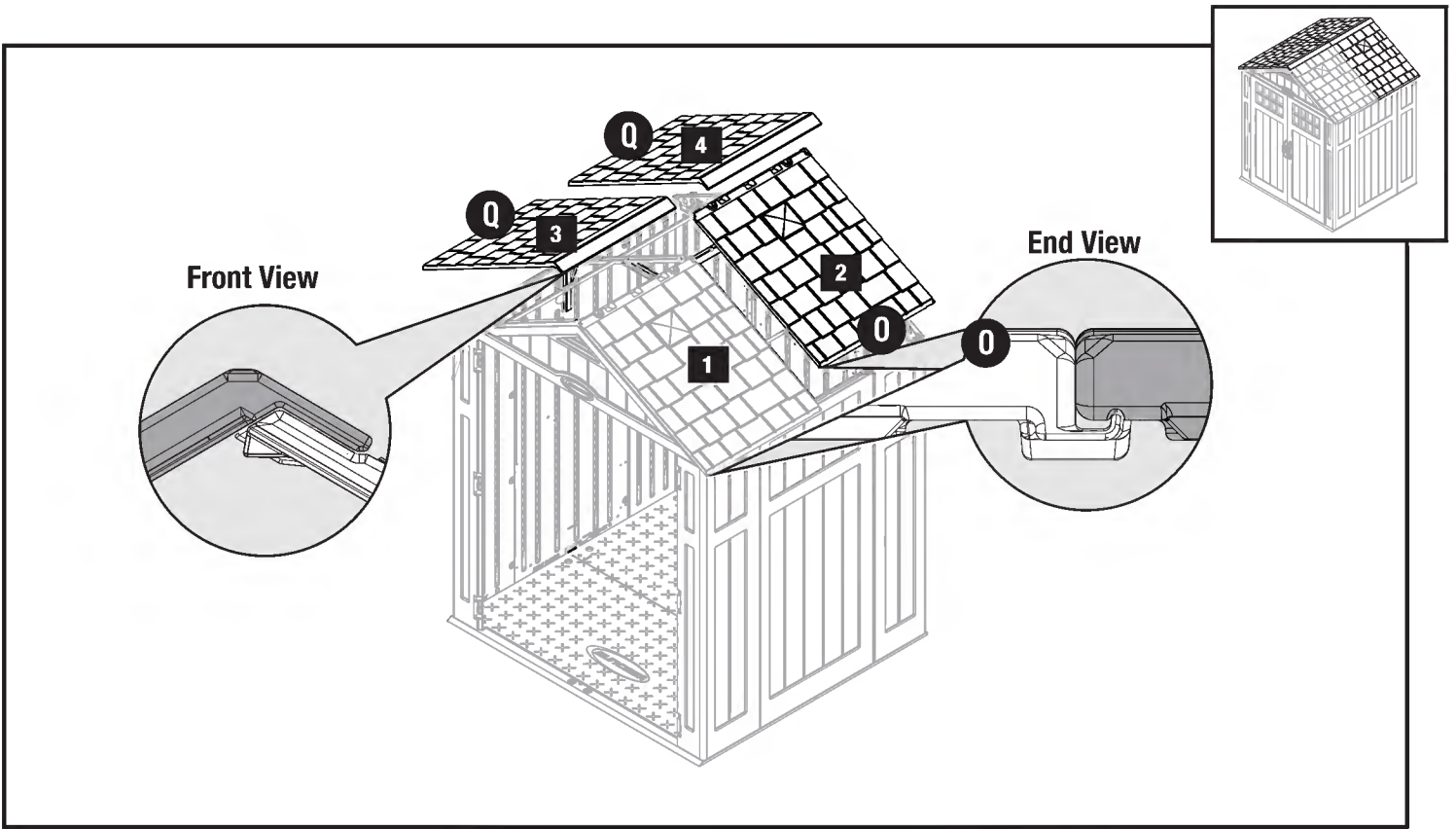
Slide right roof (O) down towards the outside of shed. You will hear a "snap" when engaged.

27

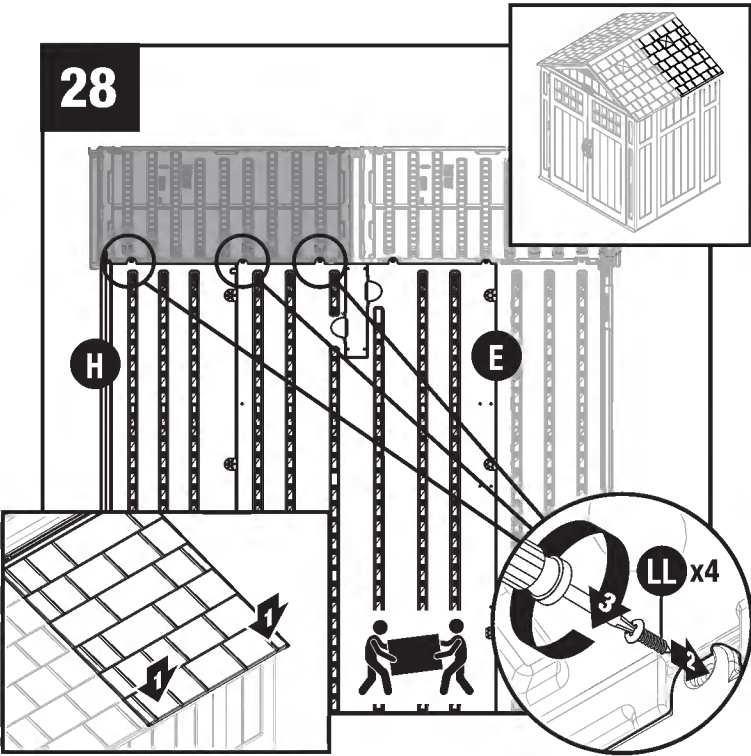


Press edge of right roof (O) into channel on truss leg (Y).

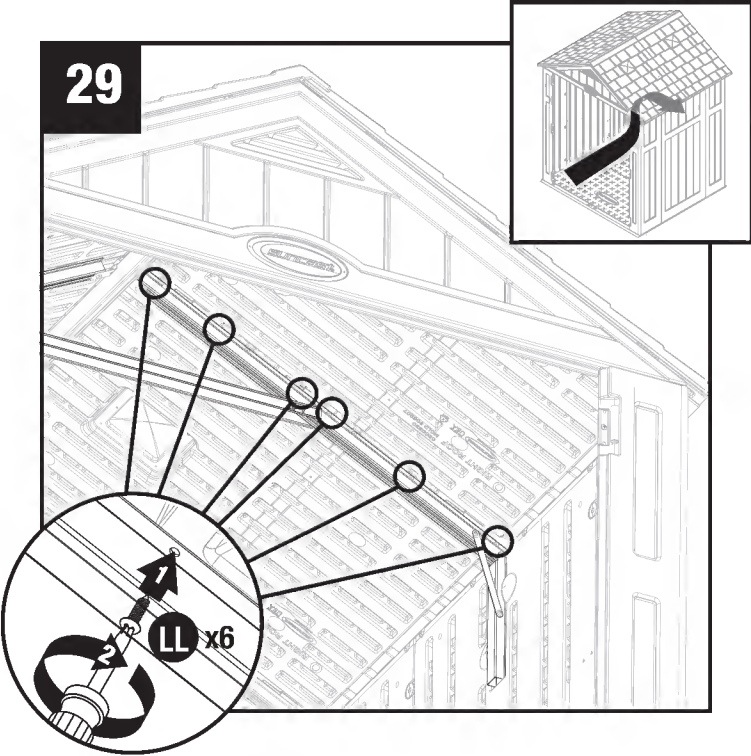




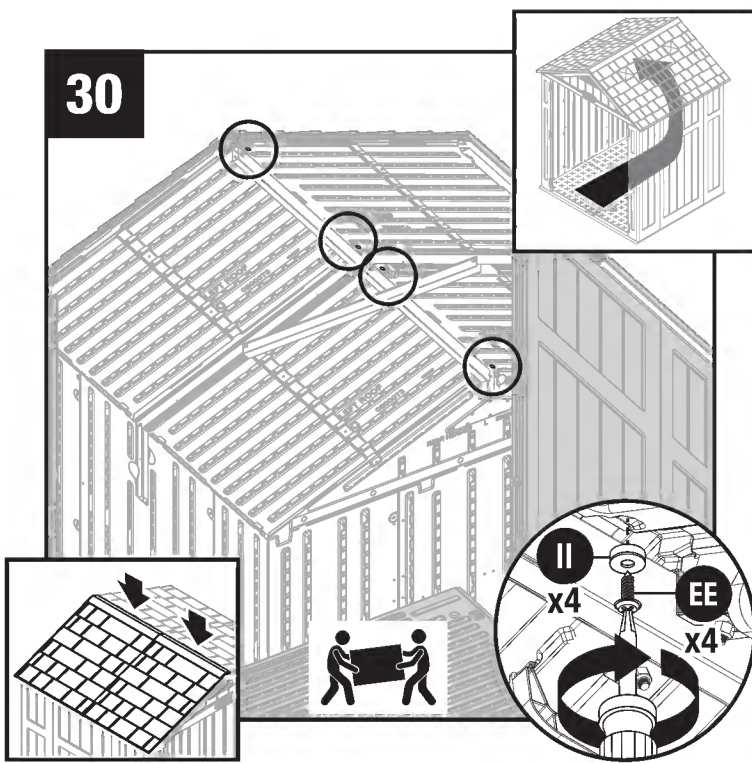
Repeat Steps 25-27 for remaining roof panels. Install panels in the order shown.



Pull down each lower corner of roof from outside. From inside shed, attach tabs on back corner (H) and side panel (E) roof panel with four screws (LL).

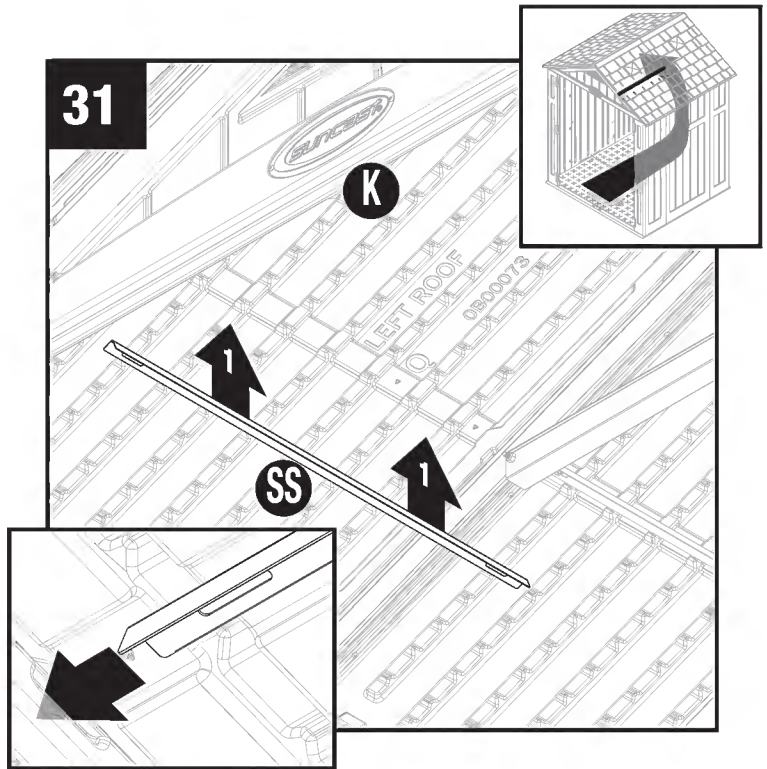


Secure roof to truss using twelve screws (LL). Each screw will attach at a corresponding screw boss on the roof.

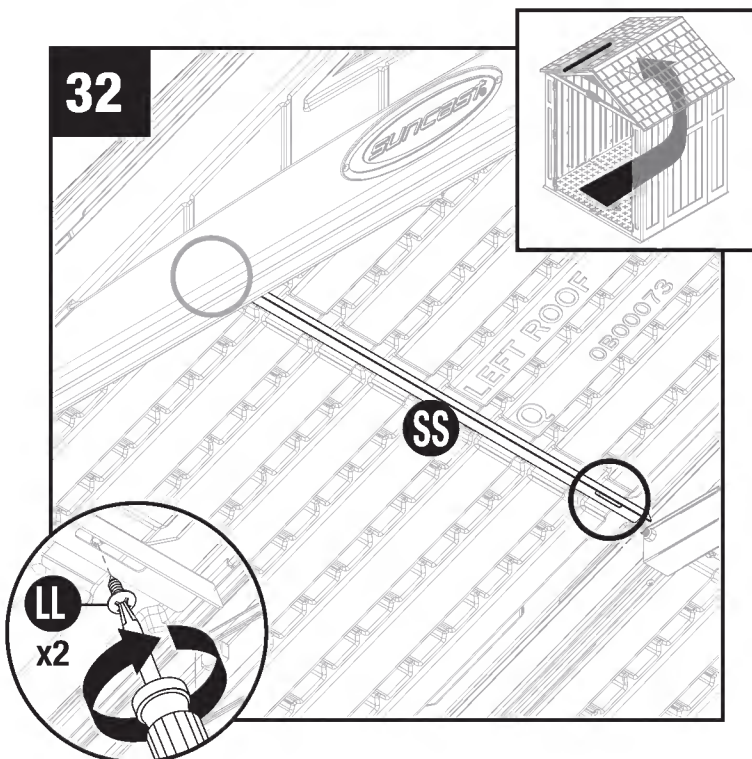


Push down the roof from outside. From inside shed, secure roof panels together along ridge of roof using four rubber washers (II) and four sealing screws (EE).

**Note:** For clarity, illustration is shown with front header, right front corner removed.

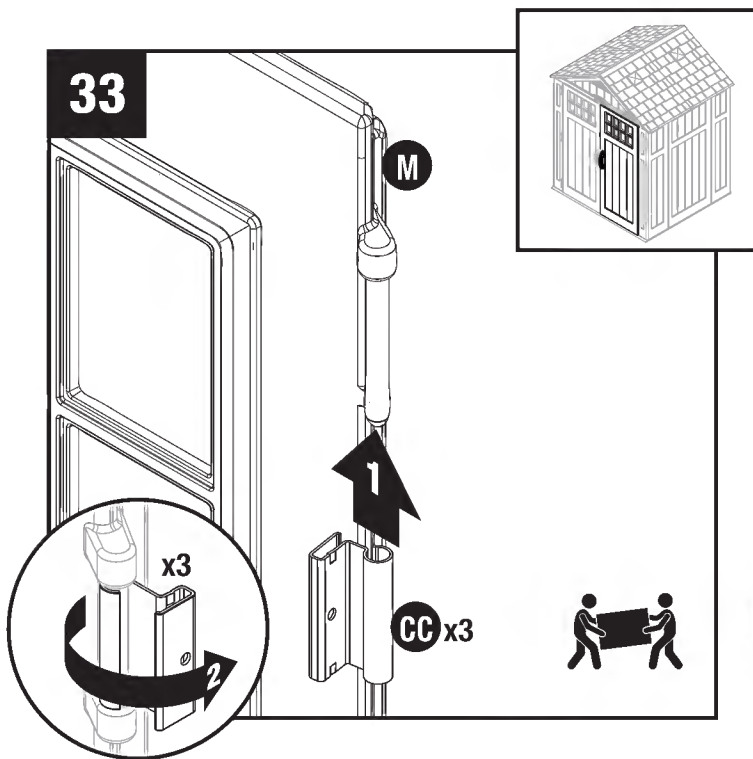


Raise front roof support bracket (SS) into position against roof. Slide front roof support bracket (SS) into front header (K).



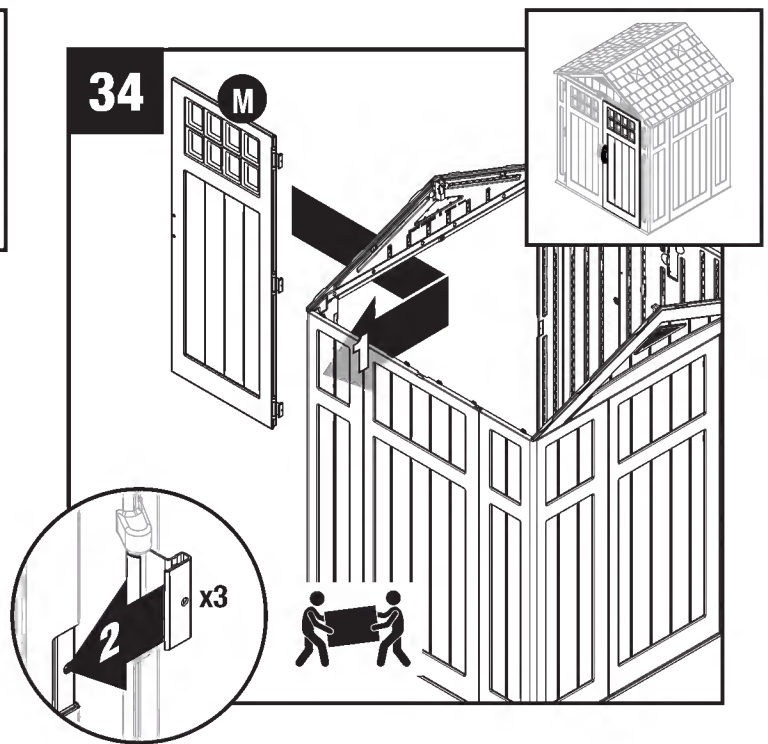
Secure front roof support bracket (SS) to underside of roof using two screws (LL). Repeat steps 31-32 for remaining roof support brackets.

# Shed Assembly/Doors

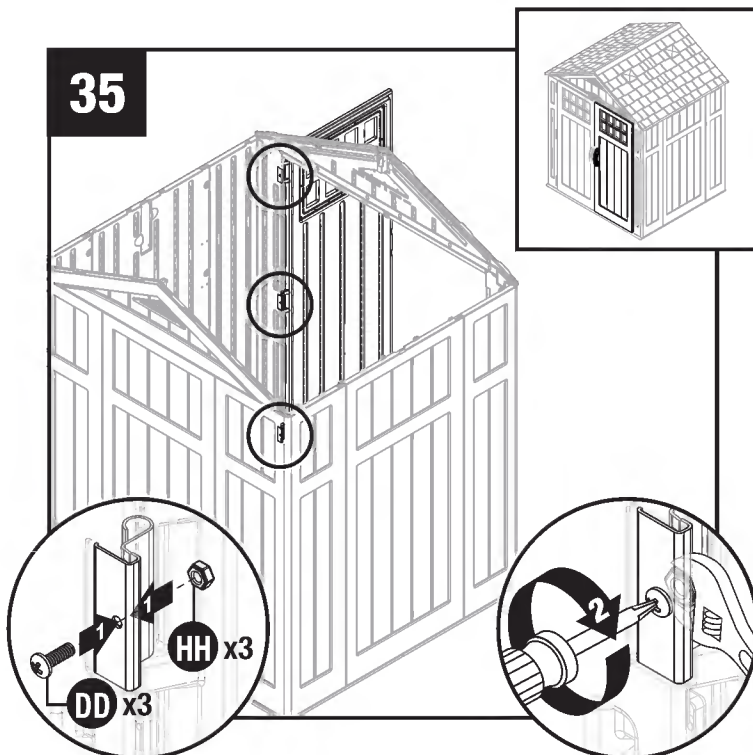


Stand right door (M) upright with three hinge mounts facing right. Slide one metal hinge plate (CC) onto each hinge mount. Rotate hinge plates to outside of door.

Repeat for left door (N).



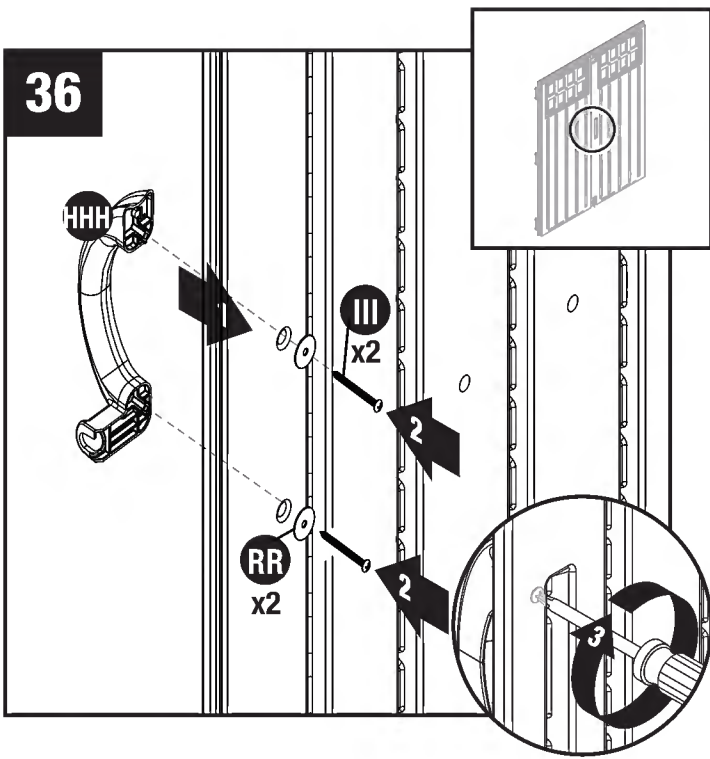
With metal hinge plates in open position, slide one metal hinge plate over each hinge receptacle on inside of right front panel.



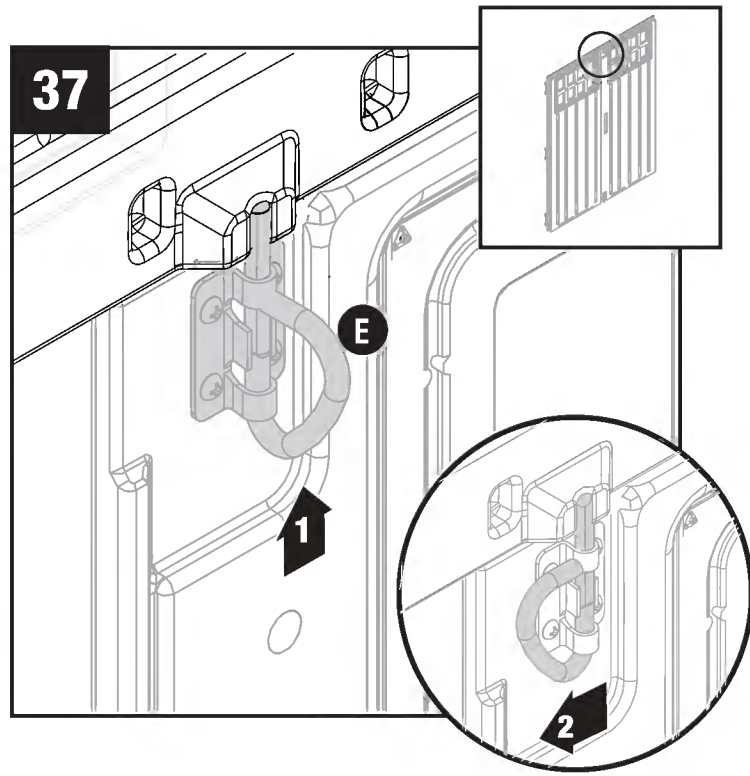
Secure each metal hinge plate with one screw (DD) and one nut (HH).

Repeat Steps 33-35 for left door (N).

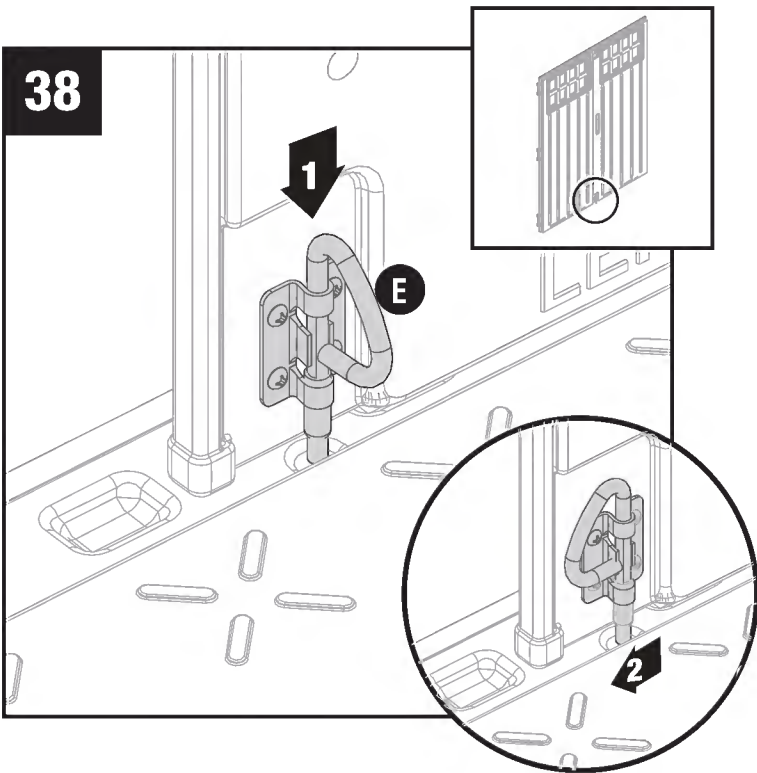




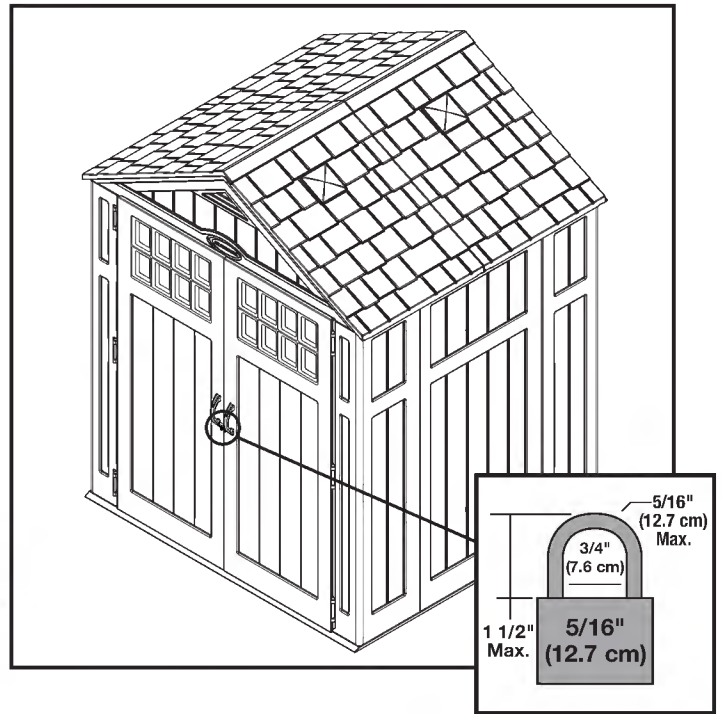
Attach left door handle (HHH) to left door (N) with two screws (III) and two washers (RR). Repeat for right door handle (JJJ) and right door (M).



Lift D-ring (E) up to engage with slot in header. Turn D-ring to left for locked position.



Push D-ring (E) down to engage with hole in floor. Turn D-ring to left for locked position.



Attach a 5/16" lock (not provided) to door handles, to properly secure shed.



