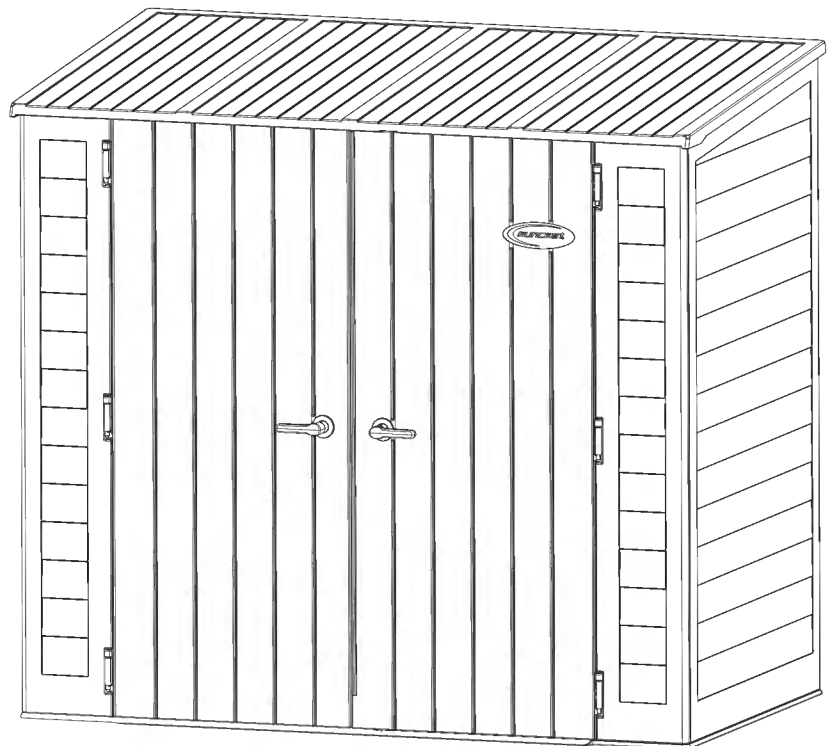
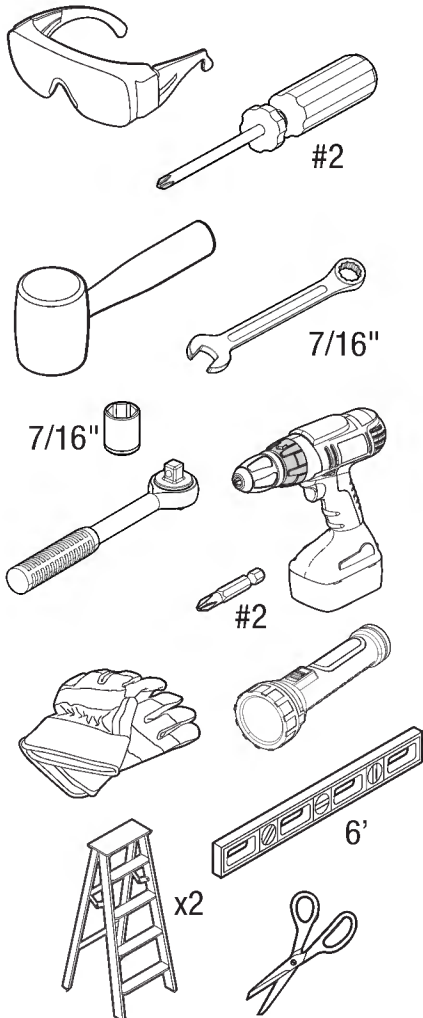


SUNCAST®

BMS7480 Series 7x4 Modern Shed

ASSEMBLY INSTRUCTIONS

Tools Required



*COLOR / STYLE MAY VARY BY MODEL



Assistance required for assembly



Scan QR Code for product assembly video.

MADE IN

U. S. A.

Thank you for purchasing this Suncast® product.

Register within 90 days of purchase to activate Warranty!

Registration not required for products with a warranty term of 90 days or less.



1. Verify warranty term of your product by visiting www.suncast.com/warranty
2. Complete registration: fill out the form and upload a copy of your receipt by visiting <https://support.suncast.com> or scanning the QR code

Have Questions?

For product questions, assembly assistance, replacement parts and more:



<https://support.suncast.com>



Suncast Corporation Customer Care
701 N. Kirk Road, Batavia, IL 60510







1-800-846-2345
1-630-381-6309



Before you Begin...

- **Site preparation and foundation construction are required for this shed and must be completed prior to assembly.** Begin by selecting one of the two approved foundation options outlined in this manual and follow the specifications. The foundation options provided offer the best long-term support for your shed. **Warranty requires foundation.**
- **If you are inexperienced with site preparation or foundation construction,** it is strongly recommended to reach out to your local hardware store or seek the expertise of a professional.
- **Using the parts index included,** carefully open all boxes to verify parts are present. **Return parts to original boxes** until you are ready to begin assembly.
- **Read ALL instructions and caution statements prior to assembly.** This product contains parts that are used in different orientations to construct the shed. Failure to follow instructions could prevent correct assembly or result in damage to parts. Please take note of the icons used within this manual to indicate where special attention is required.

 <p>Use caution when using a power drill. (A screwdriver may also be used).</p>	 <p>Part orientation is critical</p>
 <p>A power drill may be used. (A screwdriver may also be used).</p>	 <p>Only a screwdriver should be used.</p>



Assembly Day Tips

- Do not attempt to assemble product during inclement weather.
- Set aside an appropriate amount of time to completely assemble shed. An incomplete shed assembly may pose a safety hazard.
- Make sure you have assistance nearby to lift and secure parts in place.
- Do not use a torque wrench or hand drill to tighten easy bolts. Use provided easy driver **ONLY**.
- Suncoast provides extra hardware for small fasteners for customer convenience. In some cases, there will be extra small fasteners once the assembly is complete.



Care and Maintenance

- At regular intervals, inspect your shed to confirm assembly integrity has been maintained.
Repair or replace broken parts immediately.
- Periodically check that the location you have chosen to set your shed is still level.
- Keep roof clean of snow and leaves.
- To maintain the look of your product, we recommend cleaning it at regular intervals with mild soap and water. Do not use caustic cleaners, or stiff bristle brushes. Failure to perform cleaning at regular intervals could result in permanent staining of the plastic. This type of damage is not covered under warranty.



Caution

- Power tools can apply excessive torque resulting in damage to the product. If you choose to use a power drill to assemble the product, Suncast recommends using a variable speed, cordless drill with a variable clutch set at the lowest setting. Suncast makes no guarantee that following this recommendation will prevent damage to the product. Damage to parts due to over-torque are not covered under Suncast's limited warranty.
- Shed not intended for storage of flammable, caustic or corrosive materials.
- Shed not intended for habitation or for use by children.
- Do not stand, sit, or store items on the storage shed roof.
- Do not place near objects that are hot or can become hot.
- Heavy articles should not be leaned against the walls, as this may cause panel distortion and permanent damage.
- This kit contains parts with sharp edges. Please be careful when handling, use of work gloves is recommended.
- When drilling through metal, beware of burrs, shavings and other sharp edges. Safety glasses are strongly recommended.
- Do not place in areas near highly reflective surfaces (Note: Low-E windows are more reflective than standard windows and may affect the longevity of the product).
- Product is water resistant and not waterproof. Locate unit away from gutter and down spouts for optimal performance.
- Suncast is not responsible for any damage or property loss caused by weather, misuse, incorrect site preparation, improper foundation, or improper assembly. Visit www.suncast.com/warranty for a full list of warranty limitations.
- When product is not in use, all doors should be closed with latching devices engaged and secured with a padlock. Refer to the end of this manual for padlock specifications.

Site Preparation

Important:

- **Site preparation is critical, and must be completed prior to foundation construction. If the surface is not properly leveled and flat, the shed will not assemble correctly and may cause damage to the product.**
- **Use an appropriately sized level to validate that both the site and foundation are square, flat, and level.**

Site Preparation:

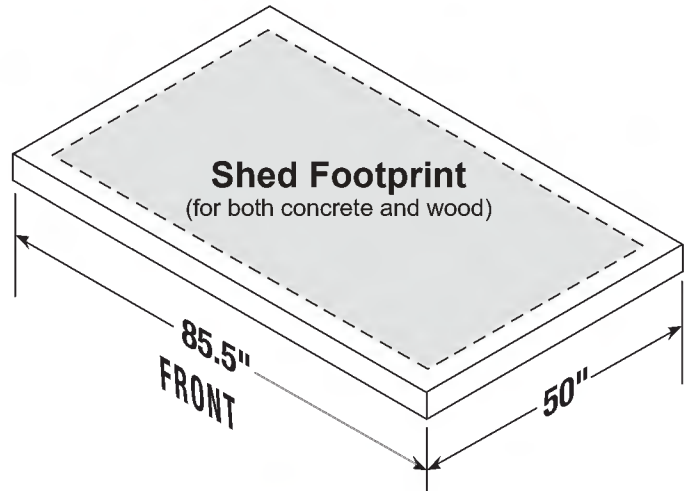
1. When choosing a location for your shed, consider factors like sun exposure, drainage, wet areas, and proximity to other structures.
2. Consult your local authorities for building codes, covenants, or required permits.
3. Before any digging, check with local utilities to determine location of buried cables, pipes, etc.
4. Prepare site by grading and compacting to create a flat, level surface for the foundation.
5. The ground beyond the foundation site should slope away to provide adequate drainage.
6. Choose which type of foundation (concrete slab or wood platform) and follow the specifications provided.

Foundation Construction Specifications

Materials NOT supplied with Shed

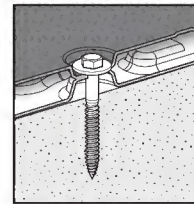
Construction: Concrete Slab

- Construct a single concrete slab, at least 4" thick.
- The use of reinforcement bar is recommended.
- Check foundation in both directions to make sure it is level before constructing the shed.
- A vapor barrier (optional) may be applied over the foundation to prevent excessive condensation. Follow local building codes.
- Measurements provided are the minimum requirements to safely support this model.



Anchoring (complete AFTER assembly):

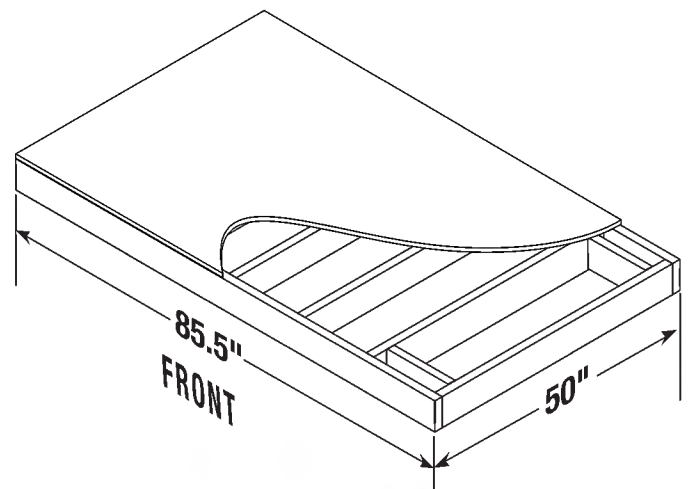
- Shed must be secured to concrete slab using 3/8" masonry anchors with 1" washers. 4 anchors and washers are required.
- Anchoring hardware not included.



Anchor example

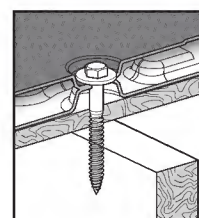
Construction: Wood Platform

- Use pressure treated, exterior grade lumber (2" x 6").
- Set the platform on deck blocks or footings. *Note: Additional deck blocks may be required based on the soil quality in your location.*
- Check foundation in both directions to make sure it is level before constructing the shed.
- Follow the included critical spacing measurements and material list. Measurements provided are the minimum requirements to safely support this model.



Anchoring (complete AFTER assembly):

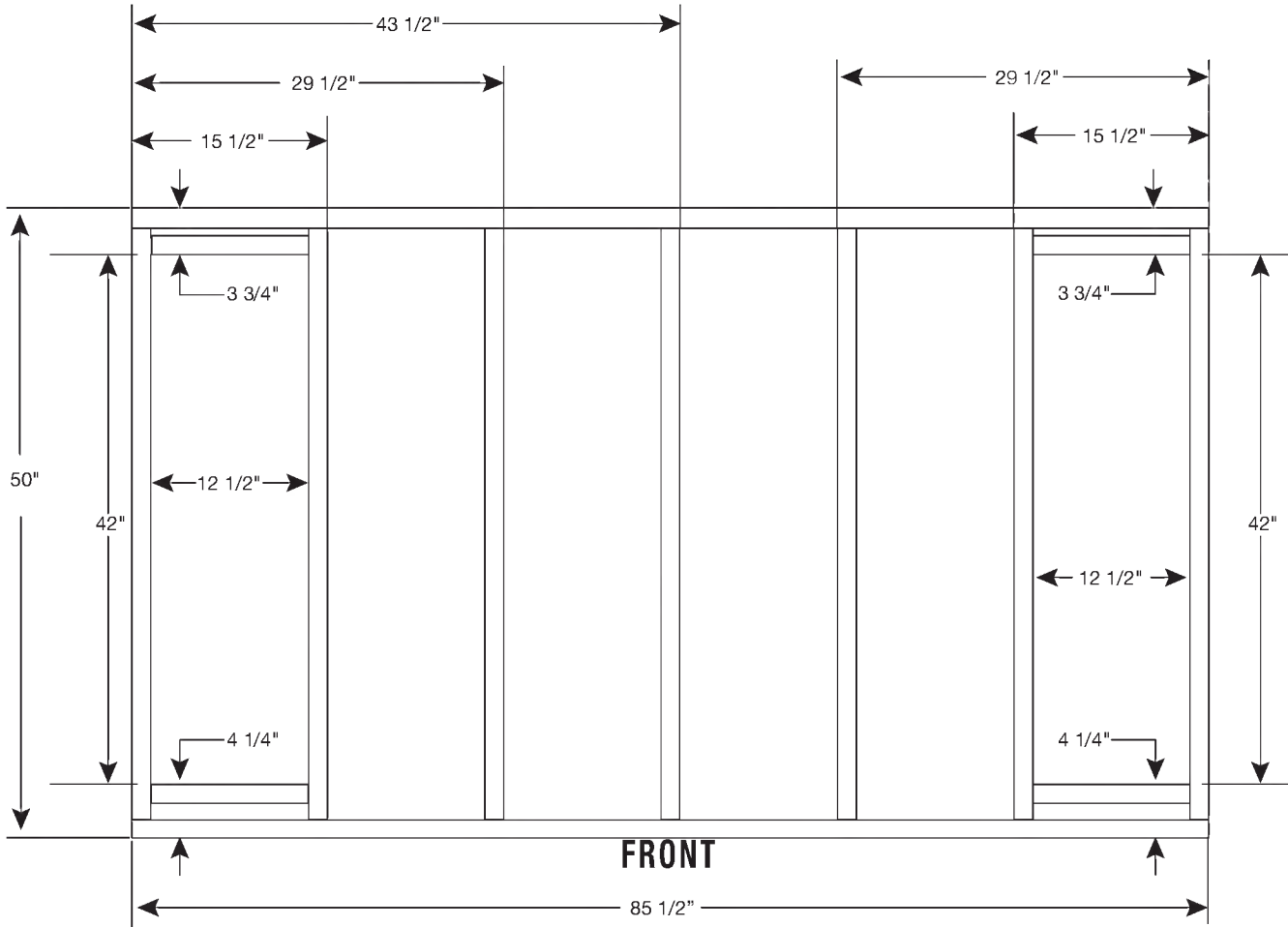
- Shed must be secured to wood platform using 1/4"-3/8" x3" lag screws and 1" flat washers. 4 screws and washers are required.
- Be sure shed is orientated correctly so that it lines up with the under structure of the platform.
- Anchoring hardware not included.



Anchor example

Wood Platform Critical Spacing and Materials List

Materials NOT supplied with Shed

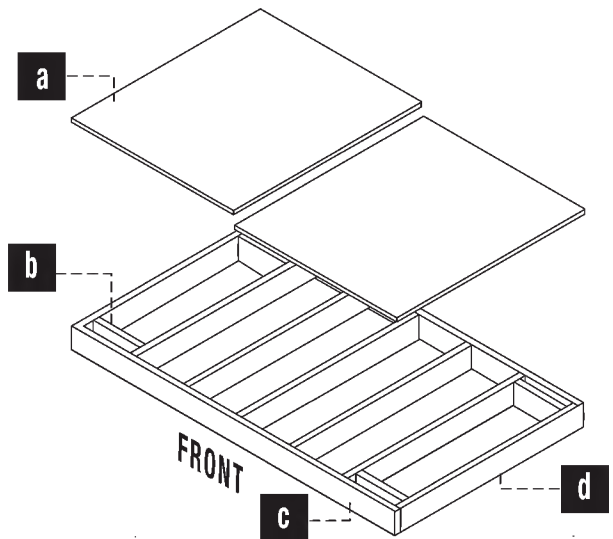


Wood Platform Materials List

Item	Qty	Size (inches)
a	2	50" x 42.75" x .75"
b	4	2" x 6" x 12.5"
c	2	2" x 6" x 85.5"
d	7	2" x 6" x 47"

Check all critical spacing measurements carefully

*2" x 6" dimensional lumber is actually 1/2" smaller than noted sizes. Dimensions given presume standard 1 1/2" x 5 1/2" actual size lumber. Lumber dimensions can vary, check dimensions before cutting and make appropriate adjustments if necessary. Cut sizes provided are actual size.

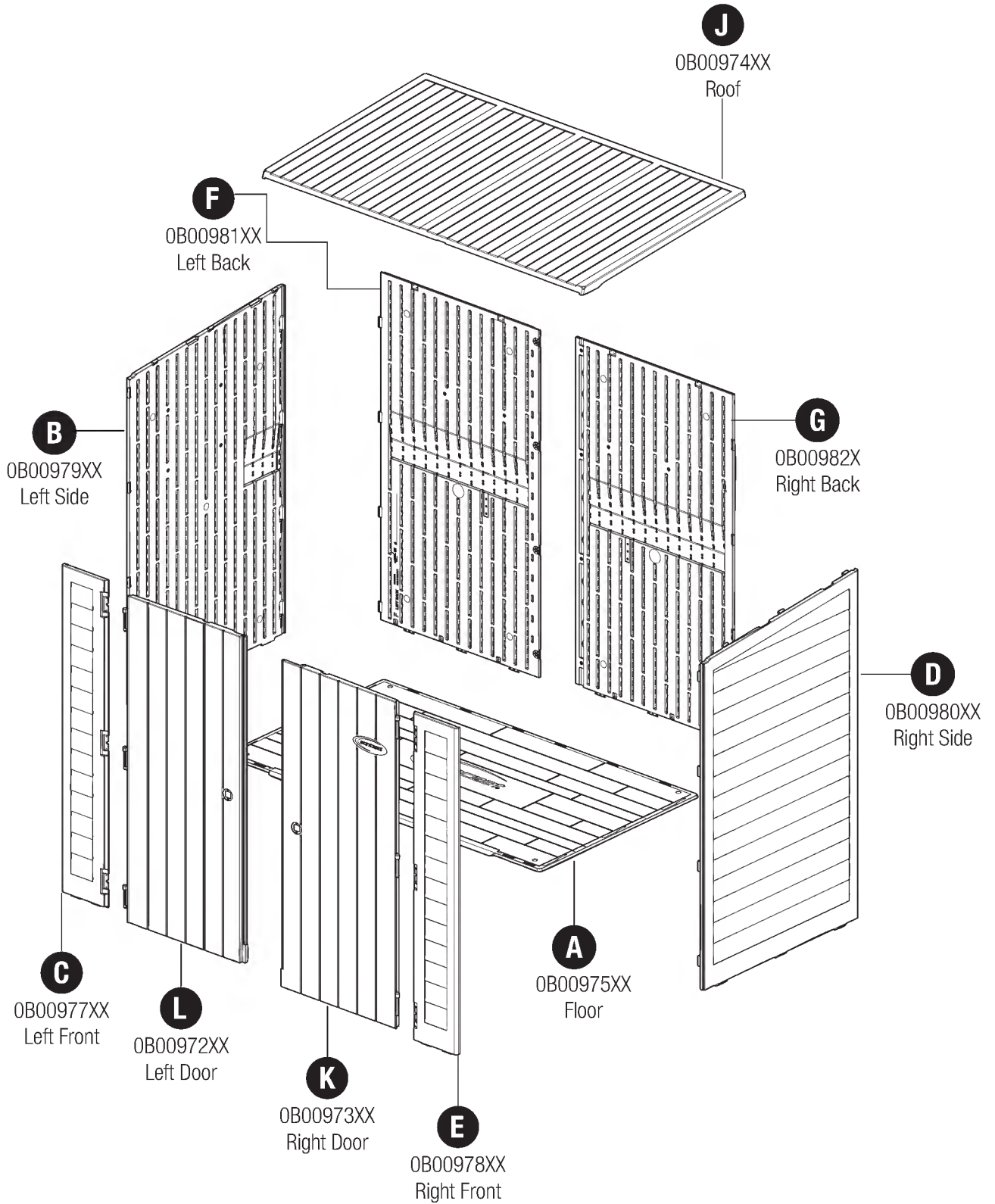


Parts - Panels

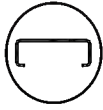
IMPORTANT

COMPLETE SITE PREPARATION AND FOUNDATION CONSTRUCTION BEFORE UNPACKING ALL PARTS.

OPEN ALL BOXES FIRST AND NEATLY LAYOUT PARTS. SMALL PARTS MAY BE CONTAINED IN EACH BOX. PLEASE REFERENCE THE PARTS LIST WITHIN THIS MANUAL TO VERIFY ALL PARTS ARE PRESENT.



Parts - Steel Kits and Shtelf



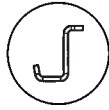
S1

1MRG02031
83" Header Beam



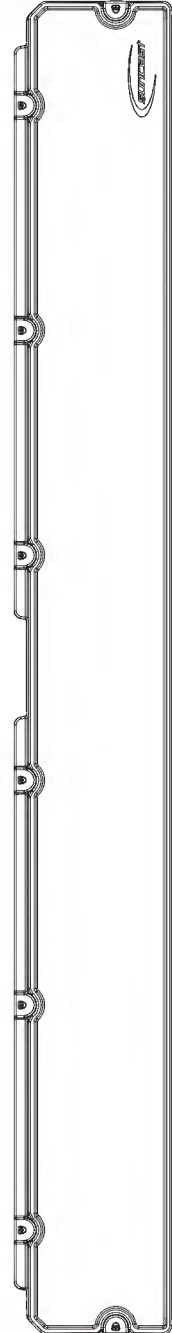
S2

1MRG05031
82.91" Truss Leg
x2



S3

1MRG07029
64.25" S-Rail



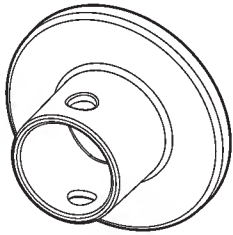
H

OB00976XX
Shelf

Steel Kit #1: 0860143

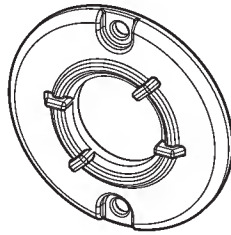
Parts - Components

Parts Bag #1: 0464969



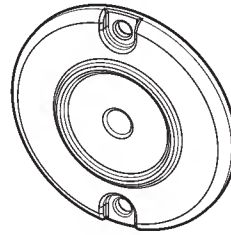
P1

0102828P9
Locking Collar
x2



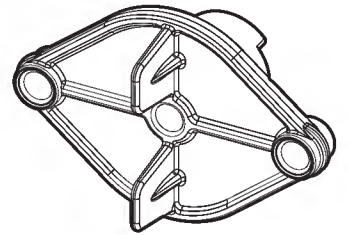
P2

0102831P9
Lock Bushing, Right



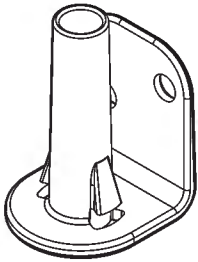
P3

0102830P9
Lock Bushing, Left



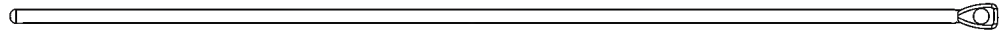
P4

0102832P9
Lock Cam



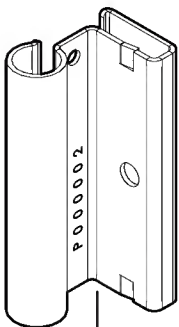
P5

0102829P9
Rod Bushing
x2



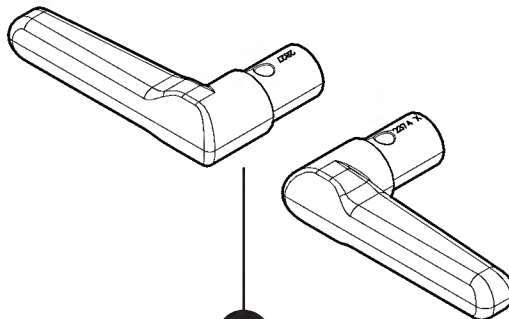
P6

0280687
36.8"
Locking Rod
x2



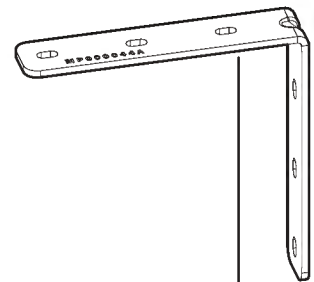
P7

OMP000002
Door Hinge
x6



P8

0102827P9
Door Handle
x2

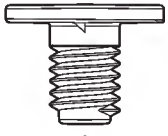


P9

1MPG00044A
Corner Brace
x2

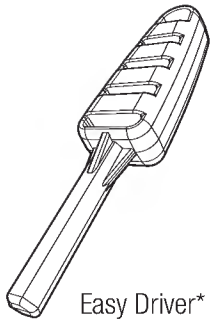
Parts - Hardware

0480595 - Bag EG

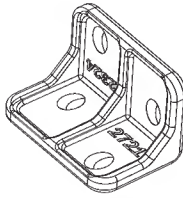


E1

010256307
Easy Bolt
x4



Easy Driver*



G1

010272110
Roof Bracket
x10

Master Hardware Bag - 0470005

0671340 - Bag A



A1

0630821
Screw
x100

0671341 - Bag B



4 mm
Hex Key*



B1

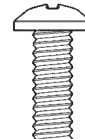
0632448
Nut Insert
x18



B2

0632449
Bolt
x18

0671345 - Bag D



D1

0210171
Bolt
x6



D2

0632451
Nylon Nut
x6

0671344 - Bag C

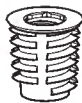


6 mm
Hex Key*



C1

0632588
Steel Spacer
x4



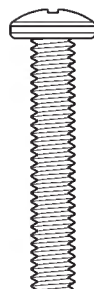
C2

0632515
Nut insert
x2



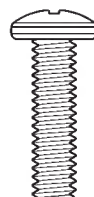
C3

0632587
Bolt
x4



C4

0630631
Bolt



C5

0630897
Bolt

0671347 - Bag F



F1

0630520
Screw
x8

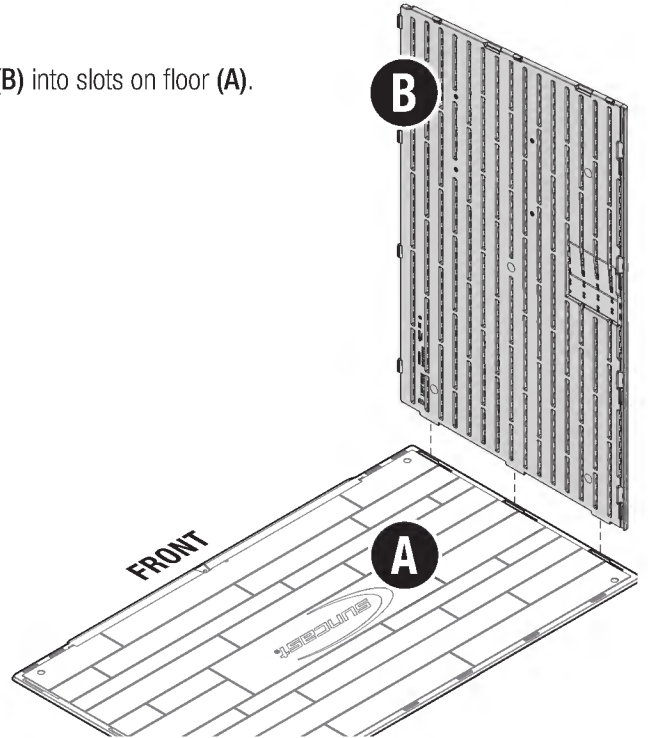
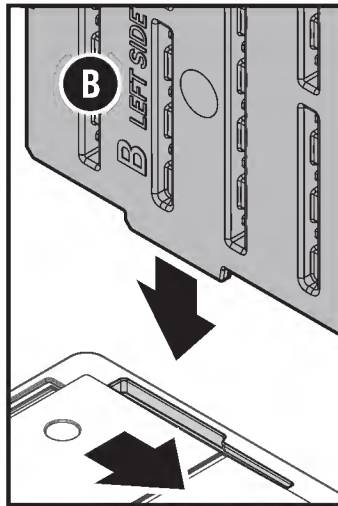
IMPORTANT: If you choose to use a power drill to assemble the product, refer to caution statements for power drill guidelines. Damage to parts due to over-torque is not covered under Suncoast's limited-warranty. This item uses self-tapping screws. Apply pressure when starting to drive the screw. Once the screw pierces the plastic it will drive easier.

Assembly - Walls

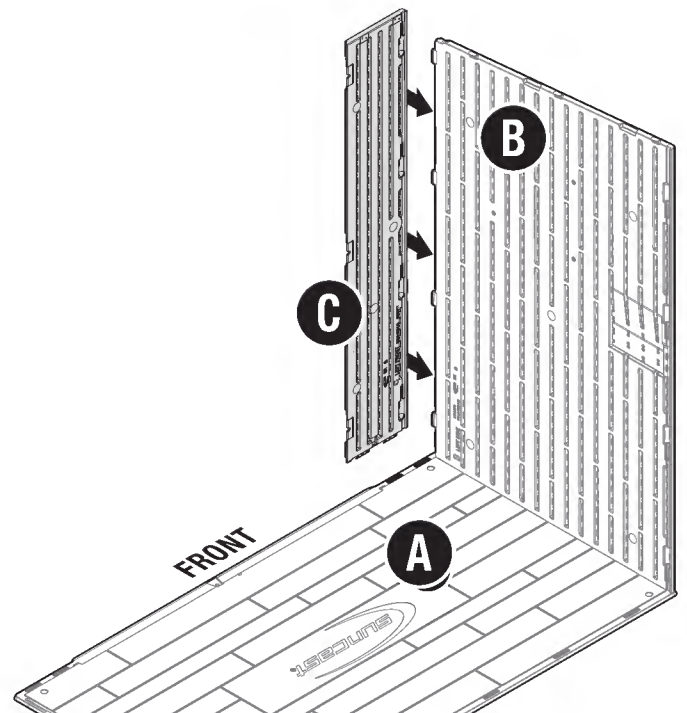
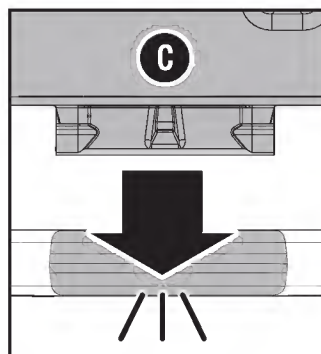
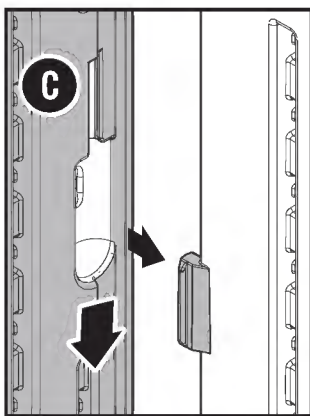
Required Hardware / Steel Kits



- 1 Place floor (A) on flat surface as shown. Insert bottom tabs of left side (B) into slots on floor (A). Slide (B) back to lock into place.

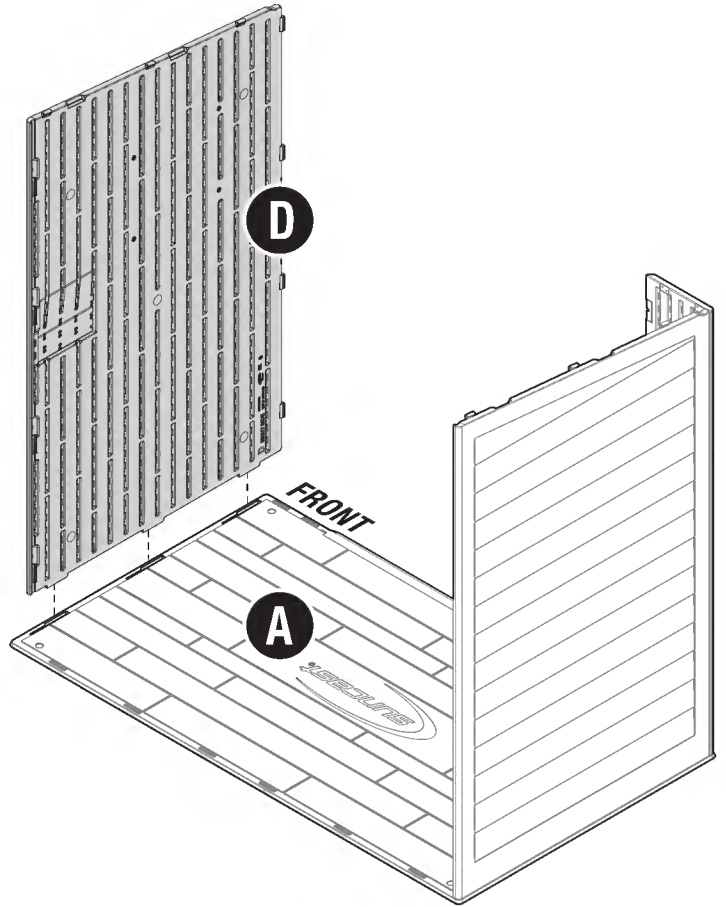
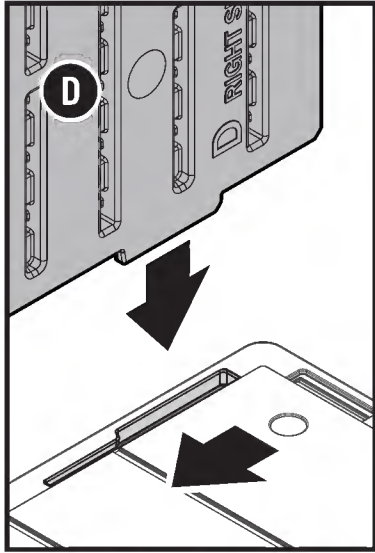


- 2 Align slots of left front (C) with tabs on left side (B). Slide down to engage until bottom tabs snap into floor (A).



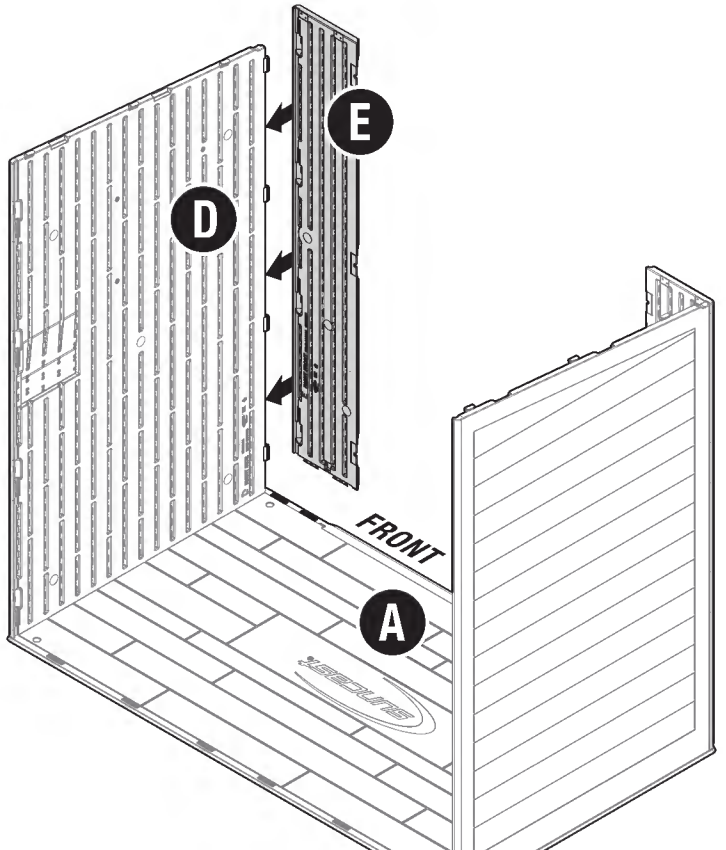
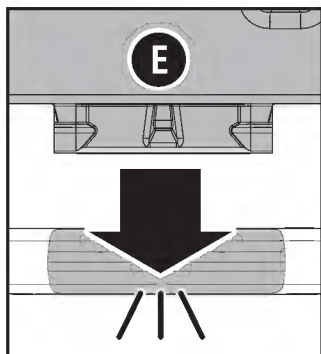
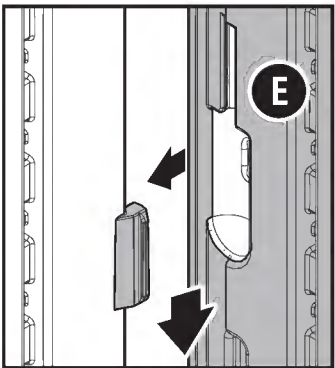
3

Insert bottom tabs of right side (D) into slots on floor (A).
Slide (D) back to lock into place.

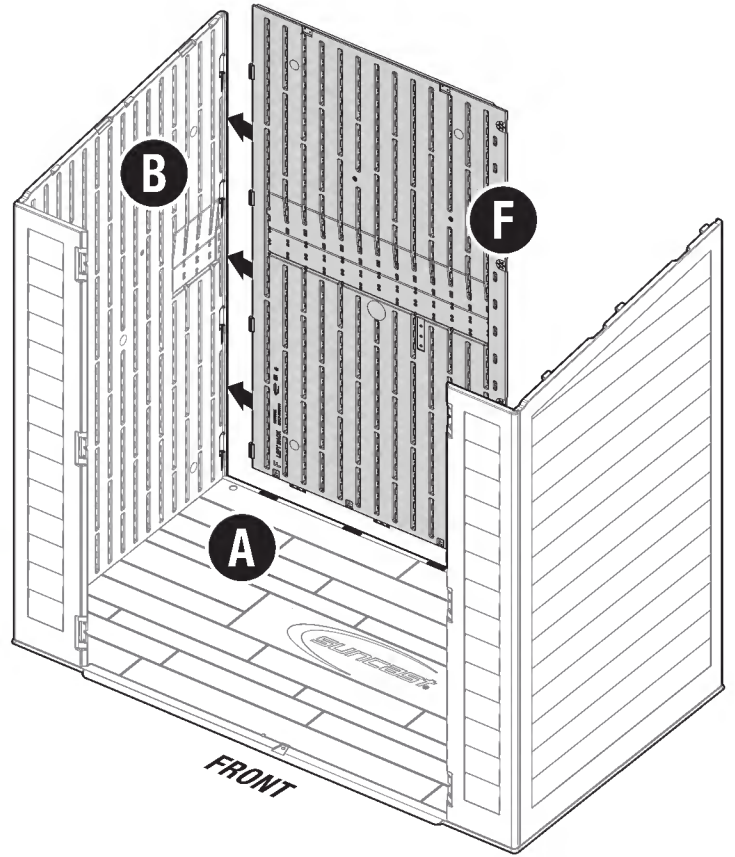
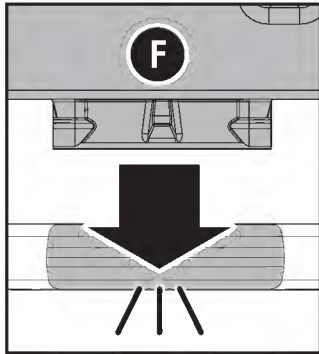
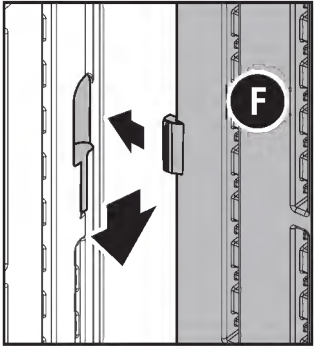


4

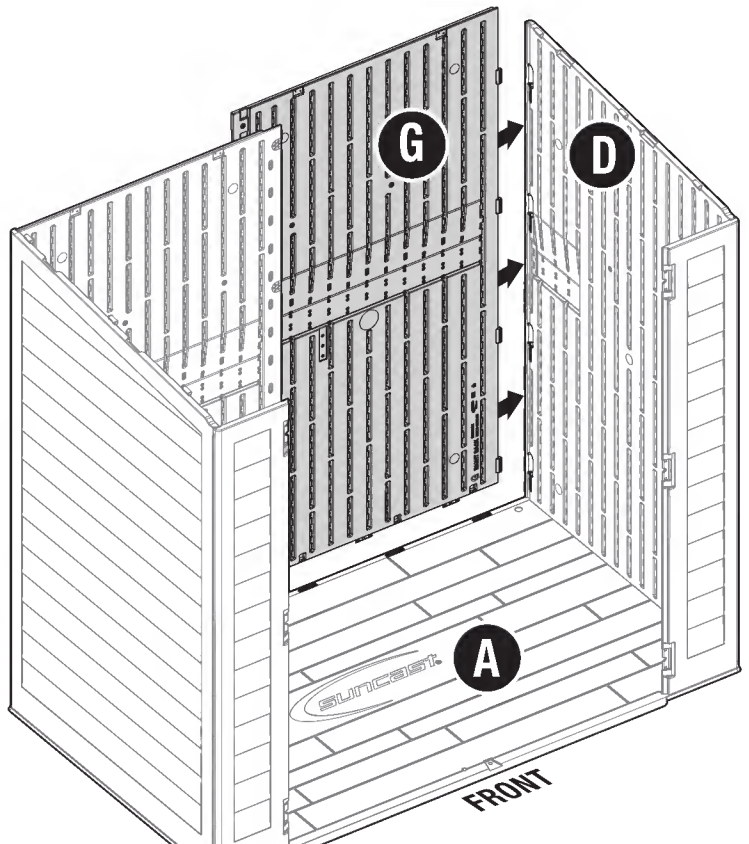
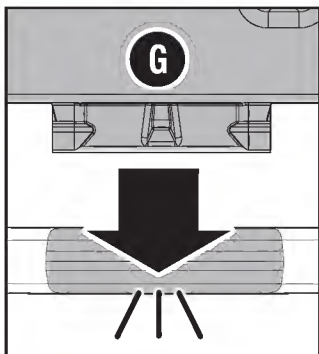
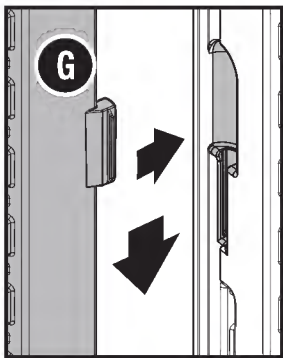
Align slots of right front (E) with tabs on right side (D).
Slide down to engage until bottom tabs snap into floor (A).

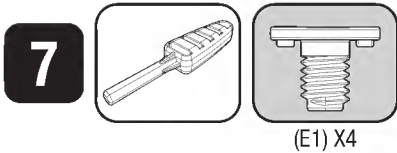


5 Align tabs of the left back (**F**) with the slots on left side (**B**).
Slide down to engage until bottom tabs snap into floor (**A**).



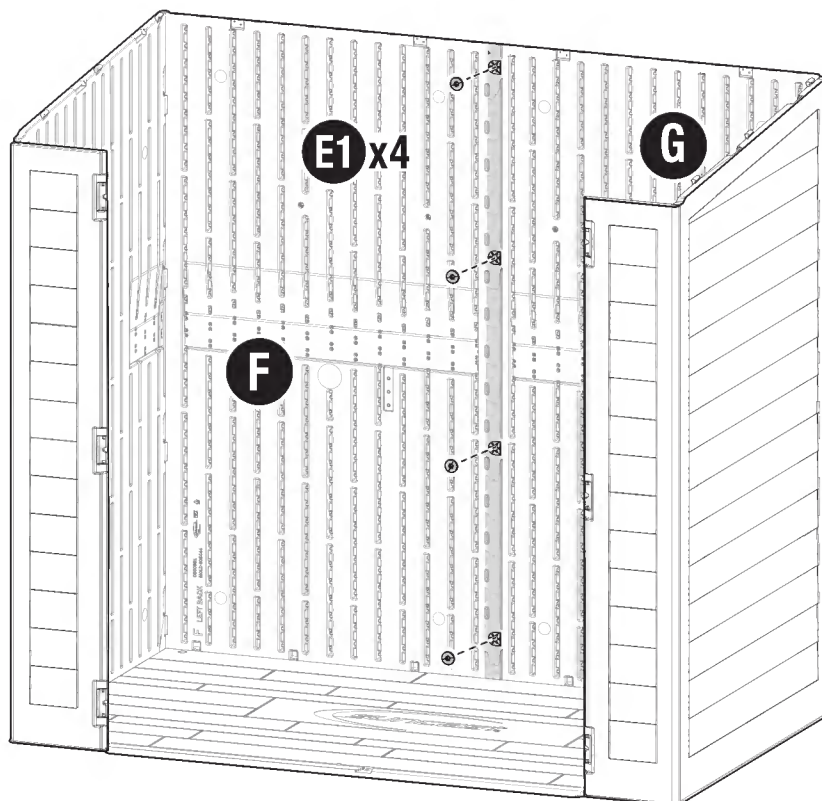
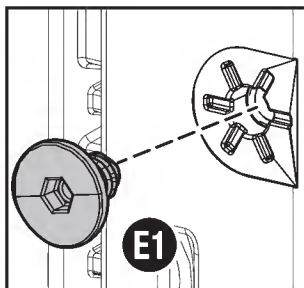
6 Align tabs of right back (**G**) with slots on right side (**D**).
Slide down to engage until bottom tabs snap into floor (**A**).





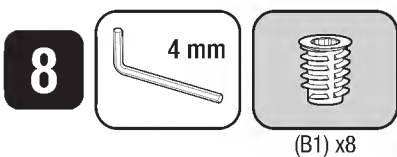
(E1) X4

Secure left (F) and right (G) back with 4 easy bolts (E1).
Tighten securely (3-4 clicks).



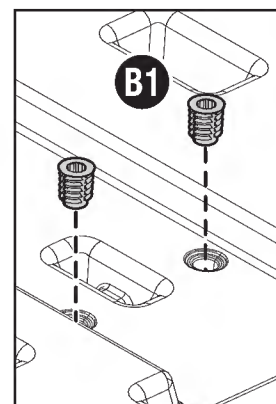
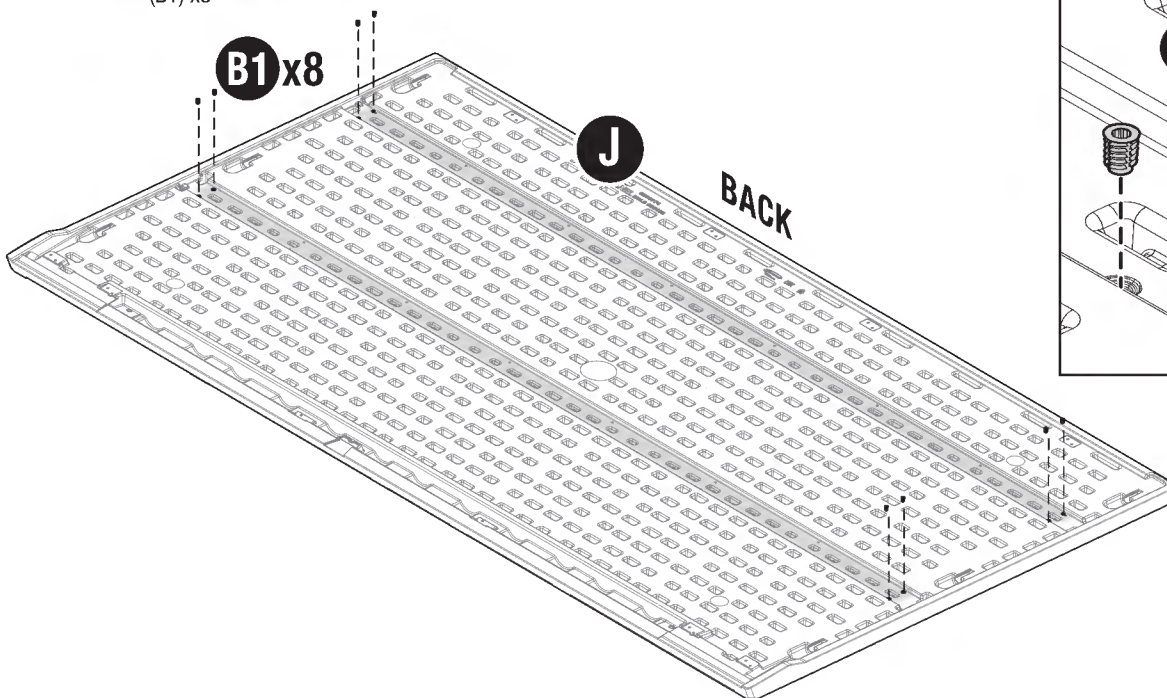
Assembly - Roof

Required Hardware / Steel Kits

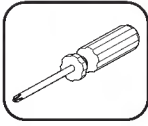


(B1) x8

Position roof (J) on a flat surface as shown. Install 8 nut inserts (B1) into roof at the locations indicated.
Note: Nut inserts should sit flush with surface of the panel.



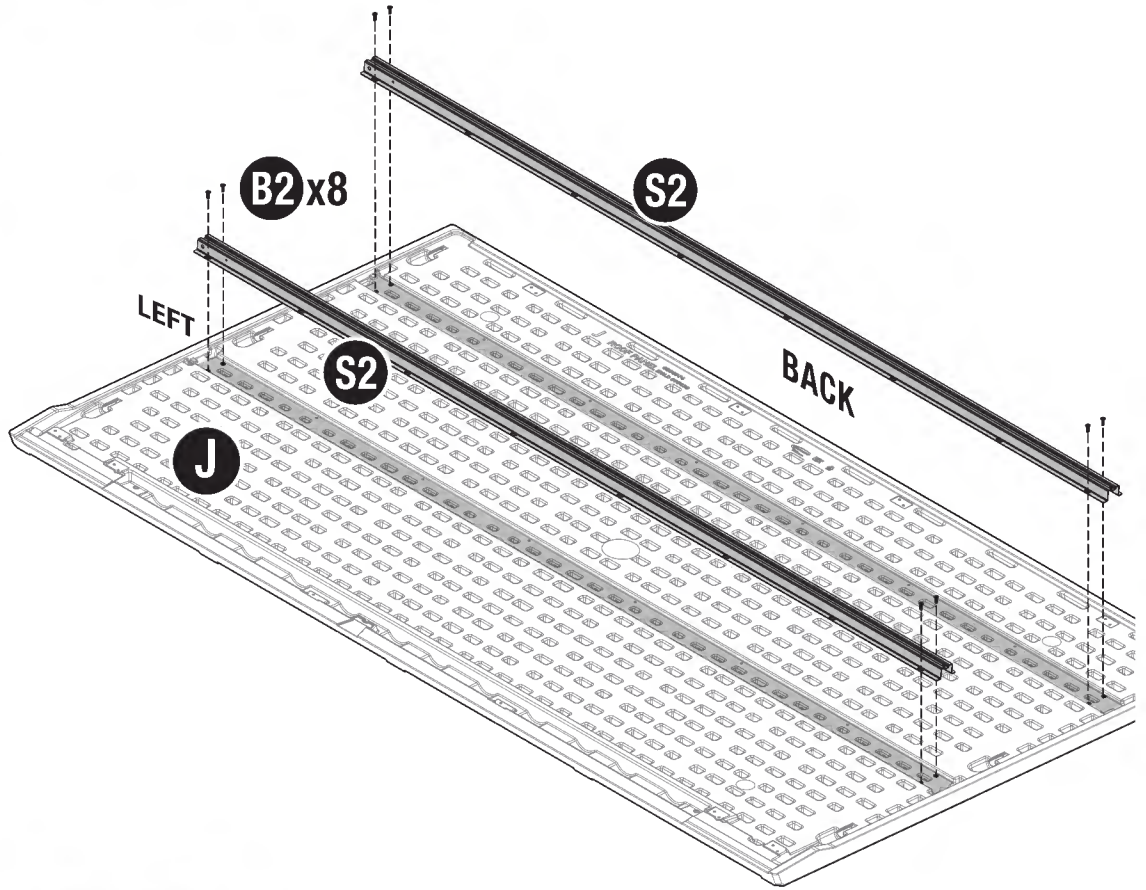
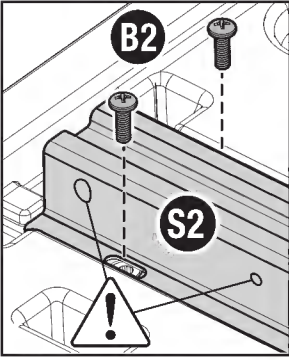
9



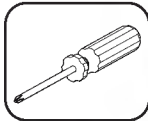
(B2) x8

Align 2 truss legs (82.91", S2) to roof (J) and lower into position. Using 4 bolts each (B2) secure corners of truss legs into the previously installed nut inserts.

IMPORTANT: (S2) should be positioned so that the ends with two holes are on the left side of the roof (J).

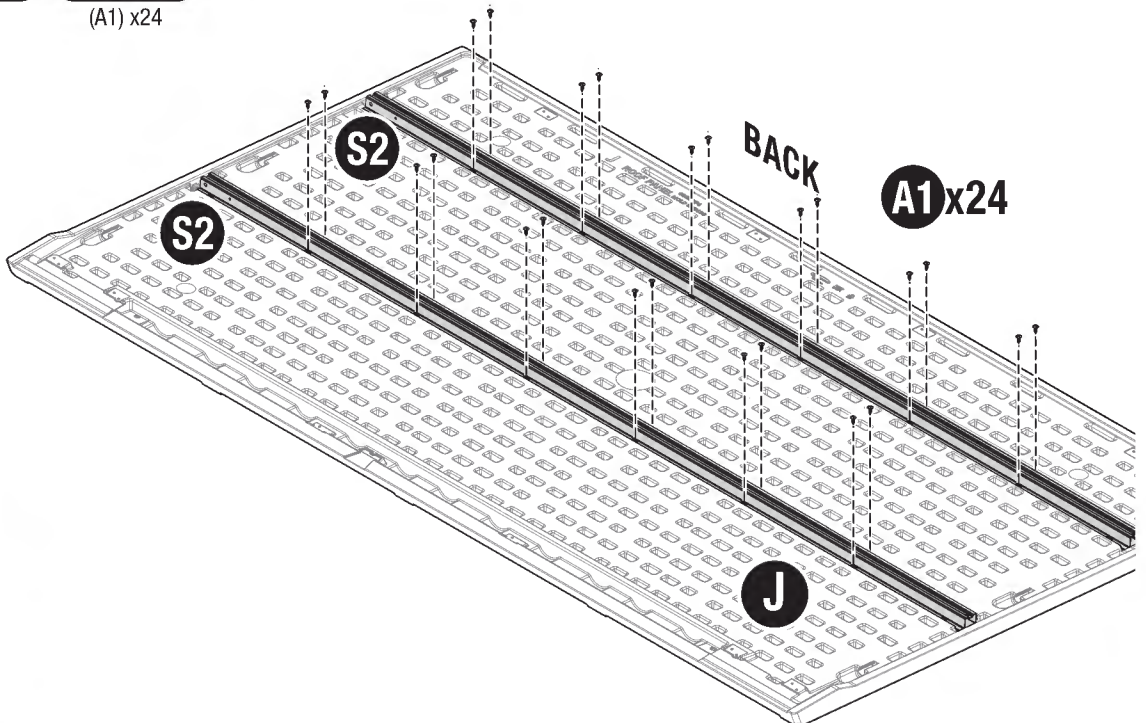
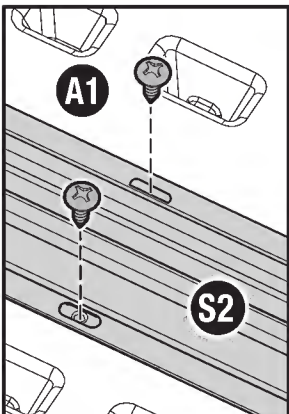


10



(A1) x24

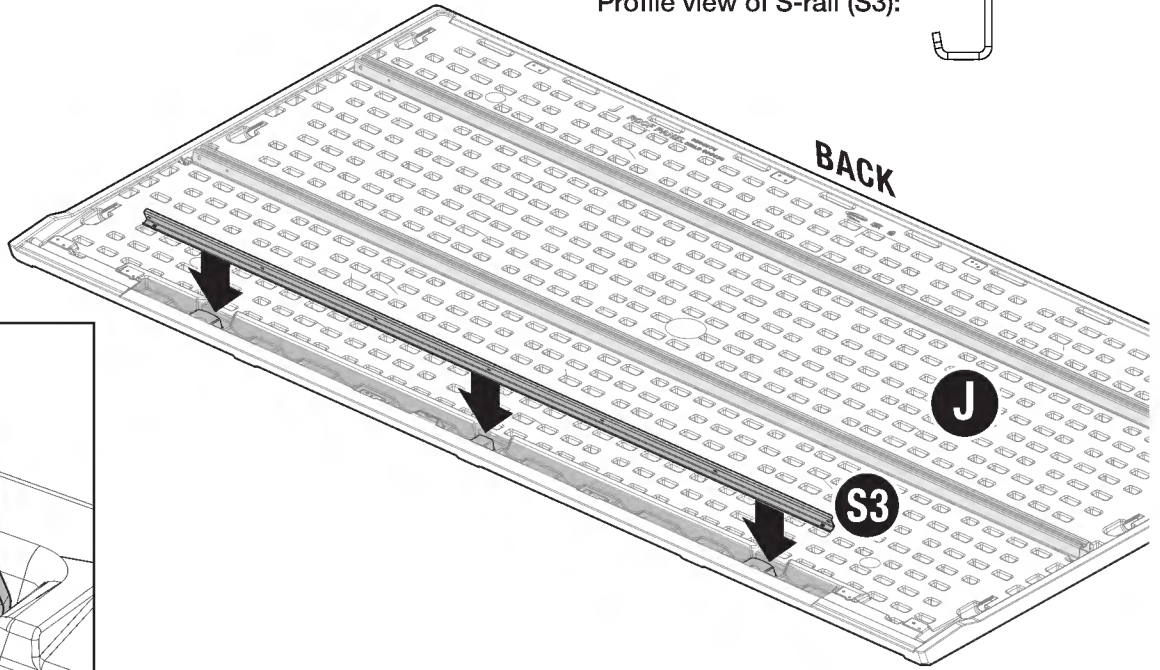
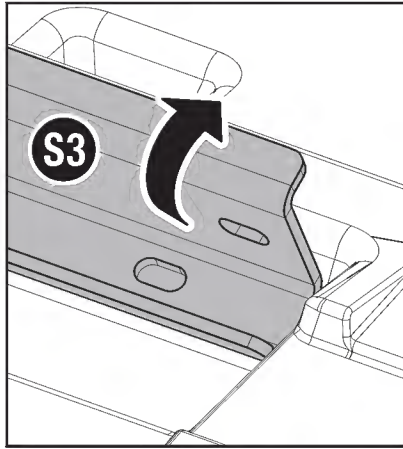
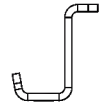
Using 24 screws (A1), continue securing truss legs (S2) to roof (J).



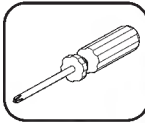
11

With S-rail (64.25", S3) orientated as shown, lower into roof (J) at a slightly forward angle and then rotate the S-rail to an upright position until it snaps into place at the three locations shown.

Profile view of S-rail (S3):

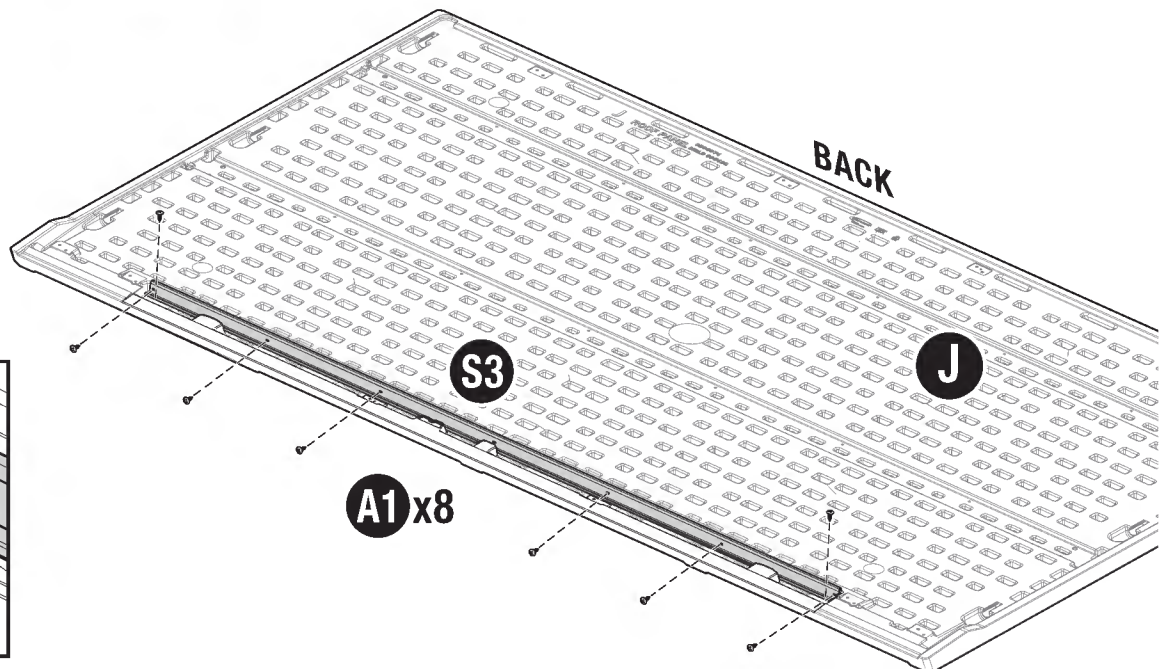
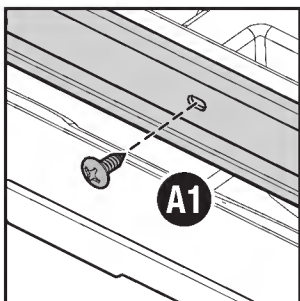


12

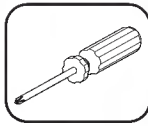


(A1) x8

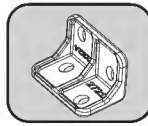
Using 8 screws (A1), secure S-rail (S3) to roof where indicated.



13



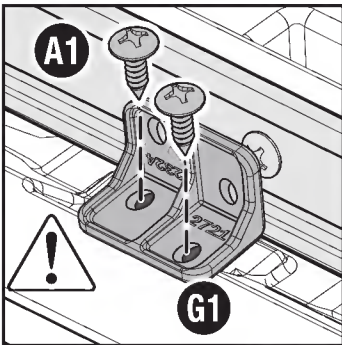
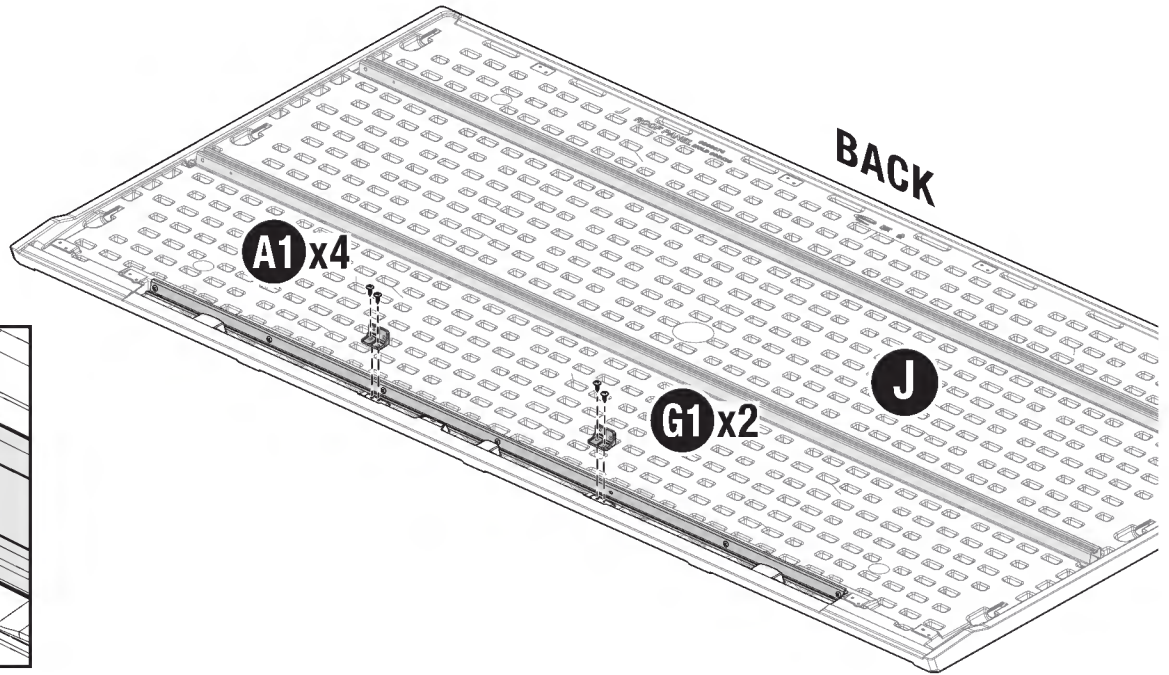
(A1) x4



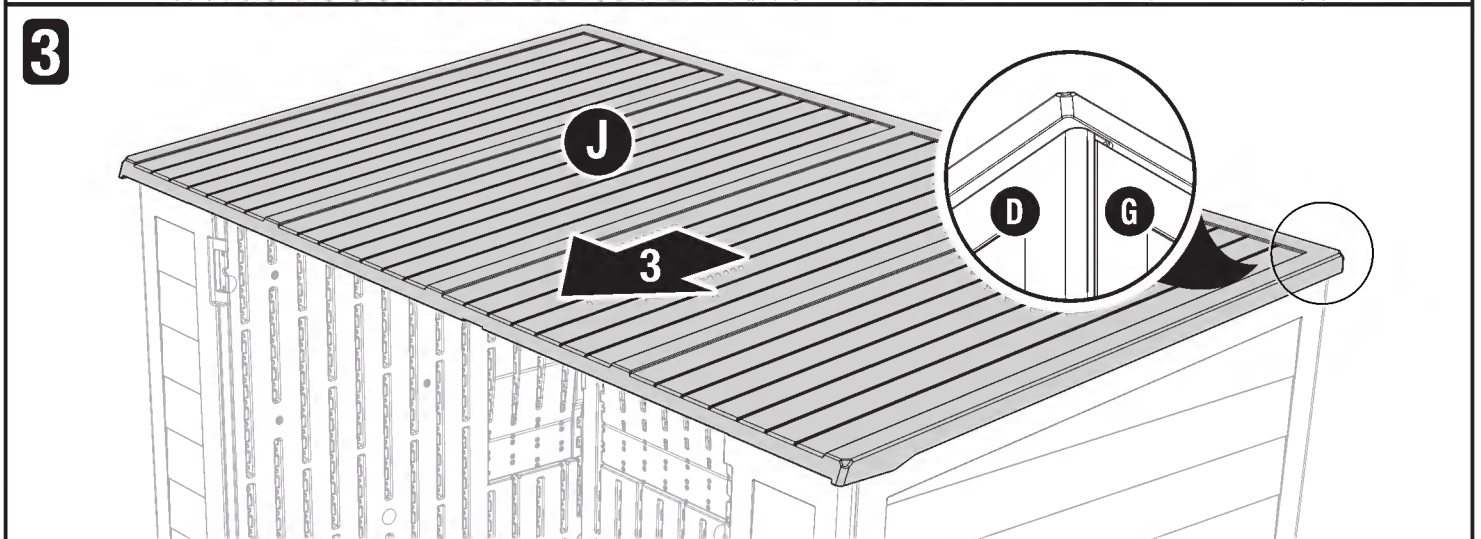
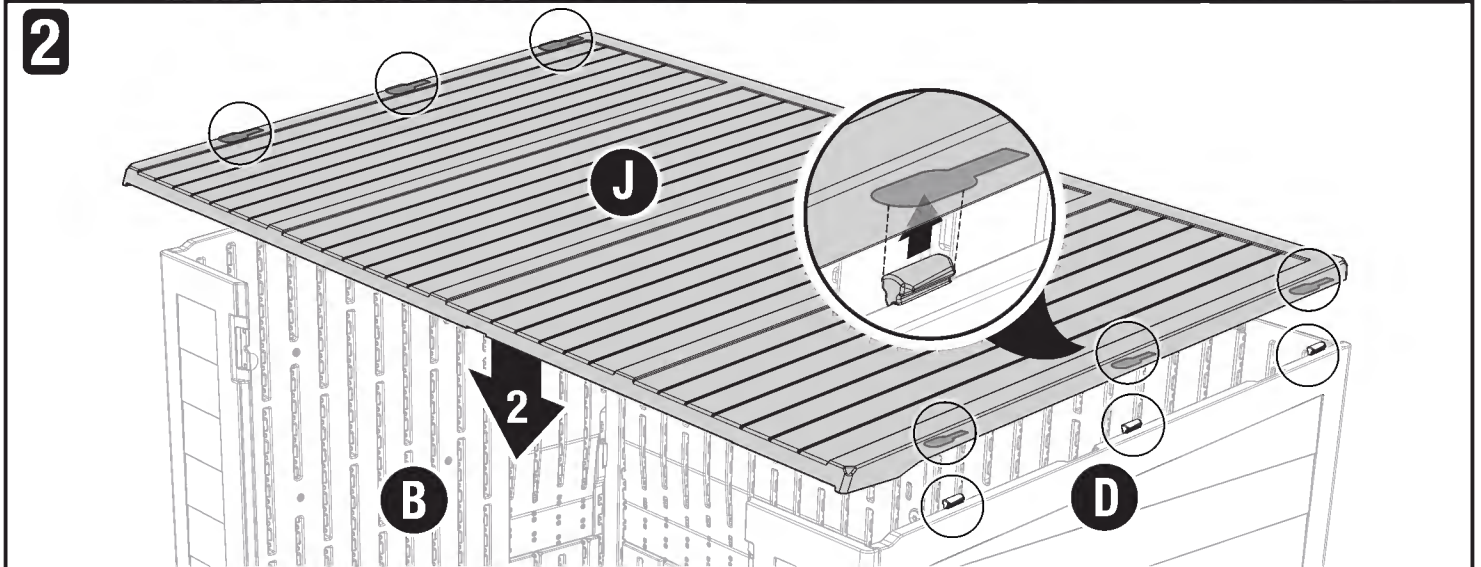
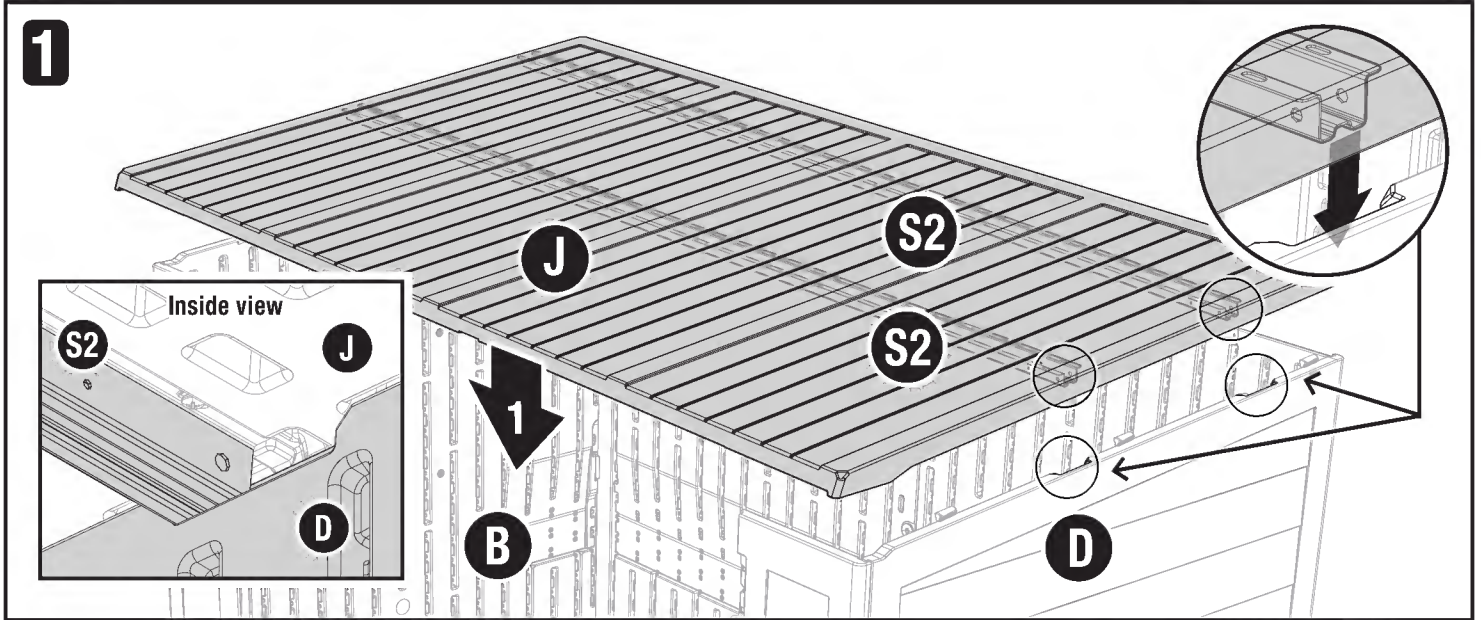
(G1) x2

Using 2 screws each (A1), secure 2 roof brackets (G1) to roof (J) where indicated.

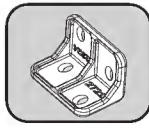
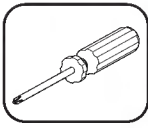
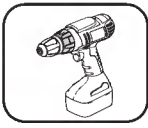
IMPORTANT: Only 2 screw holes will be used.



- 14** 1) Center roof (J) over the shed with the wide band facing the back of the shed. **IMPORTANT: Truss legs (S2) should be seated into the back of the truss leg pockets as shown.**
- 2) Confirm the six roof slots are positioned just behind the tabs located on the left and right sides (B,D).
- 3) Slide roof (J) forward to engage the roof slots with the tabs. *Note: A rubber mallet may be helpful.*



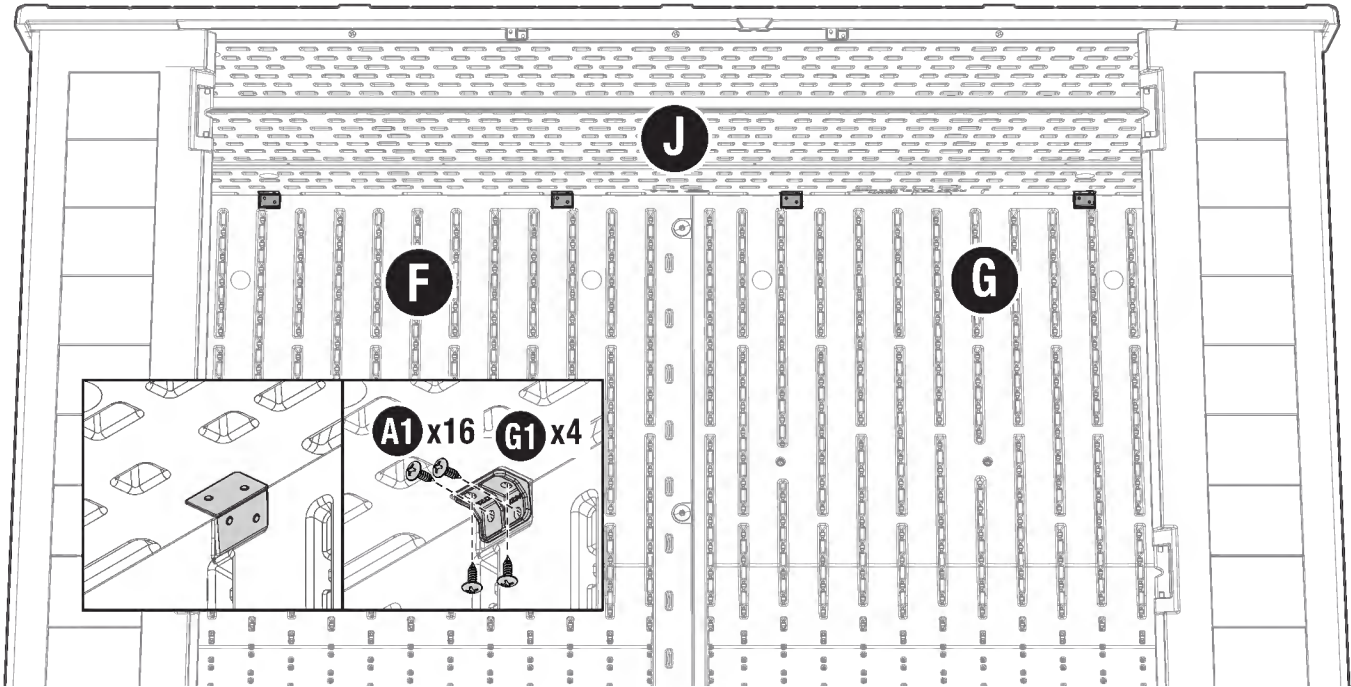
15



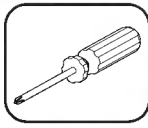
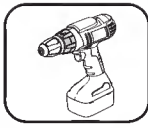
(A1) x16

(G1) x4

Using 16 screws total (A1), secure 4 roof brackets (G1) across the left and right back (F,G) and roof (J) at the locations shown.

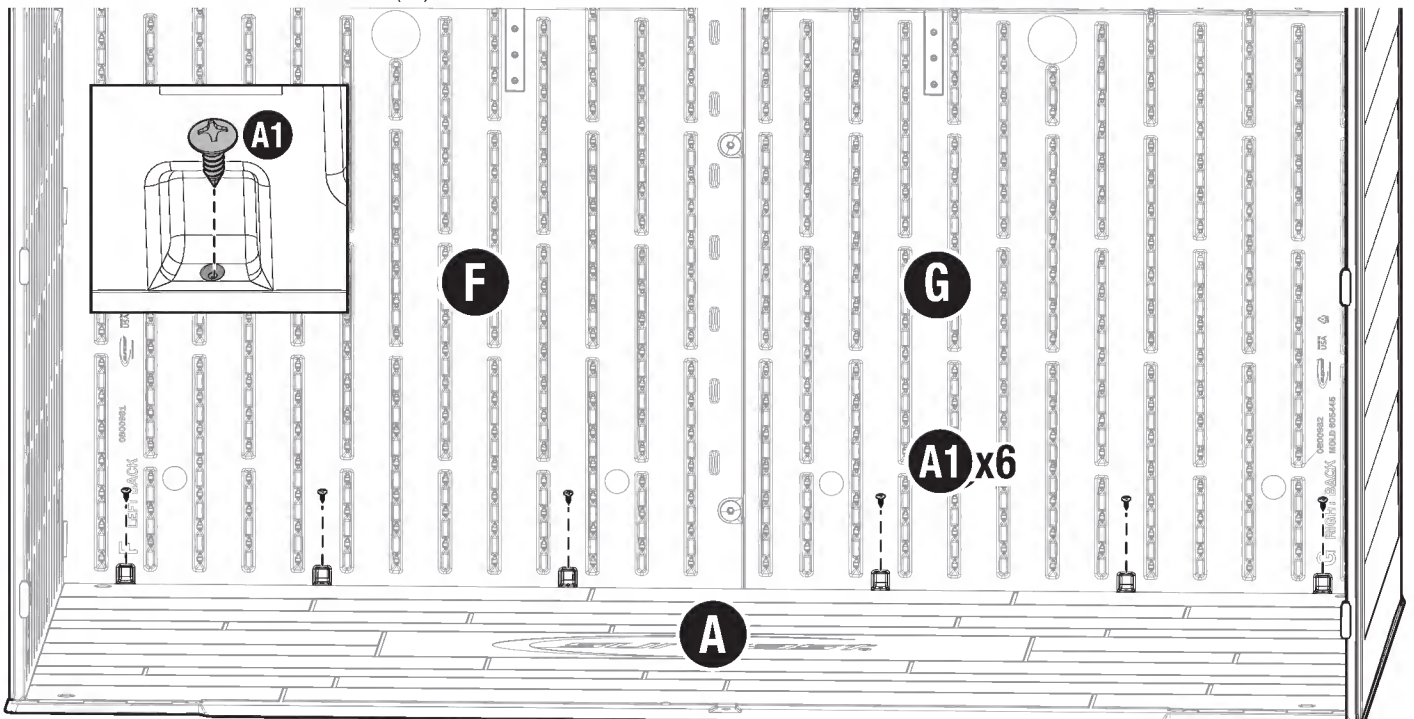


16

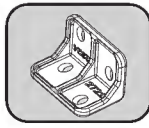
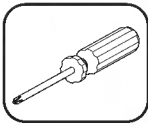
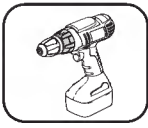


(A1) x6

Using 6 screws total (A1), secure back (F,G) to floor (A) at the locations shown.



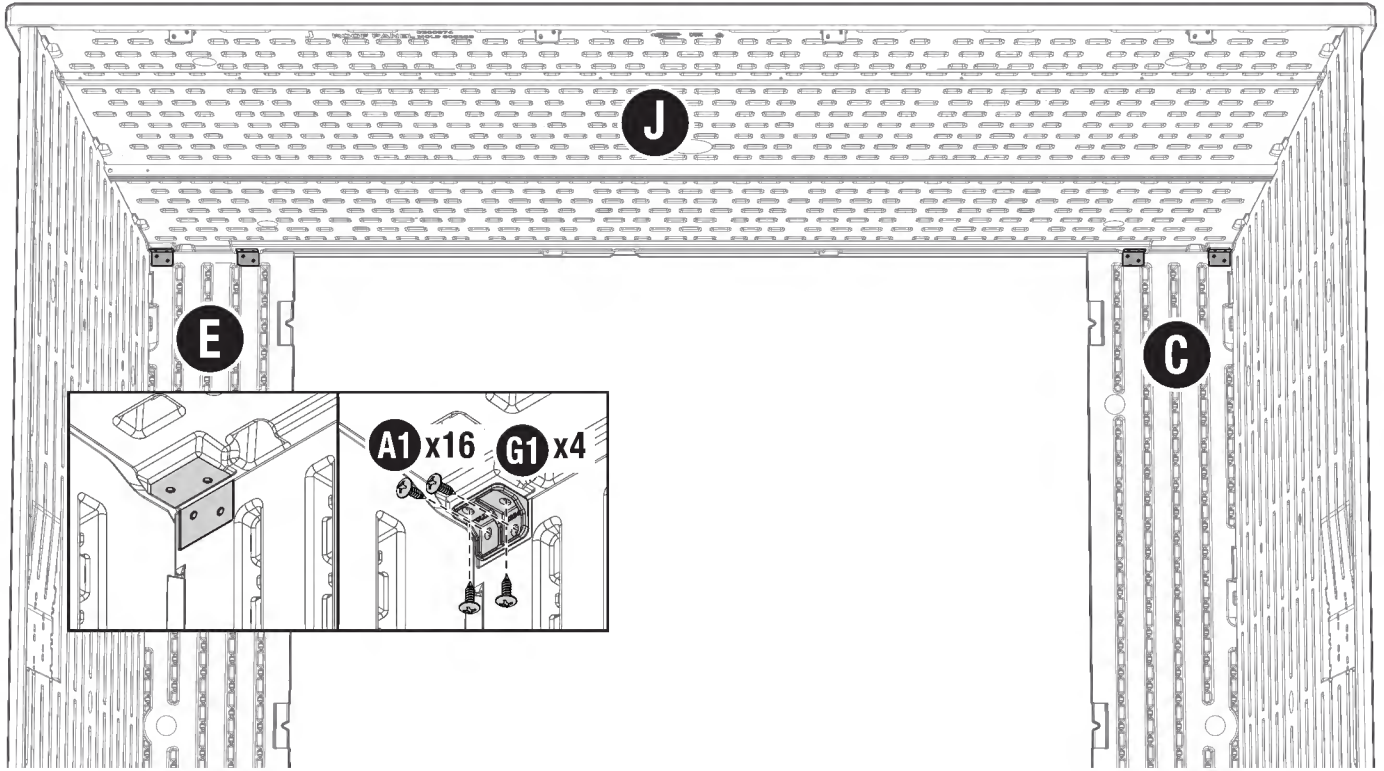
17



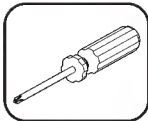
(A1) x16

(G1) x4

Using 16 screws total (A1), secure 4 roof brackets (G1) across the left and right front (C,E) and roof (J).

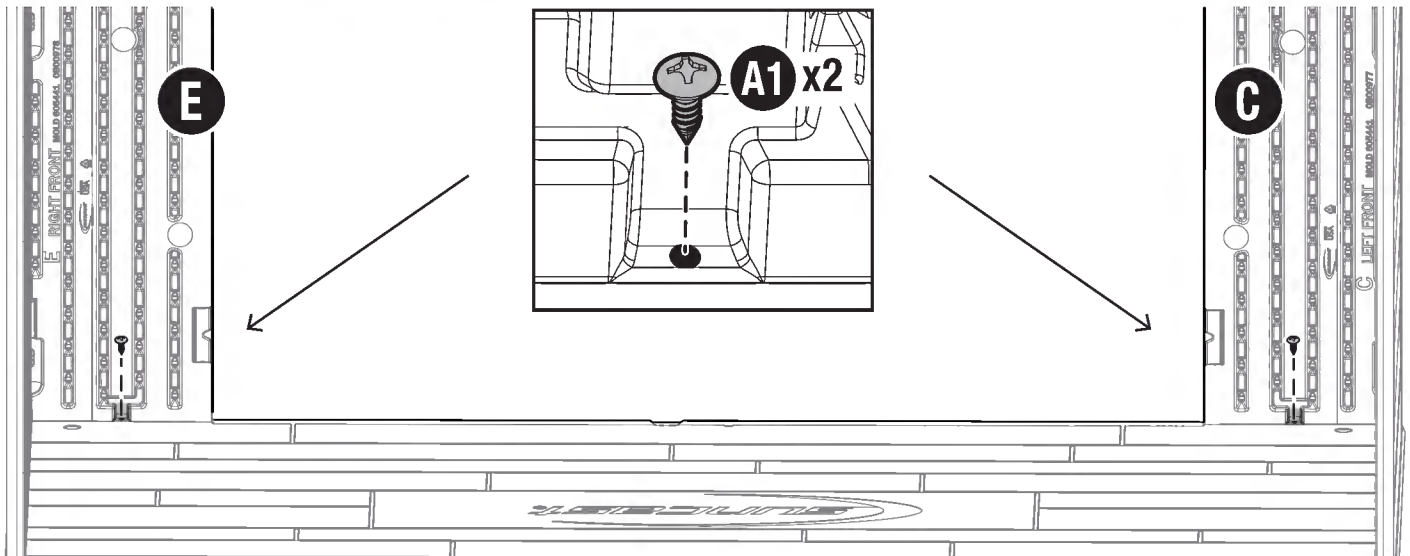


18



(A1) x2

Using 2 screws (A1), secure right front (C,E) to floor (A) at the locations indicated.

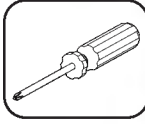
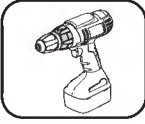


Assembly - Shelf

Required Hardware / Steel Kits

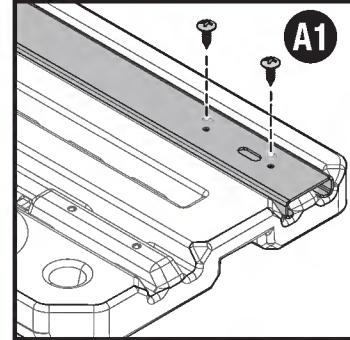
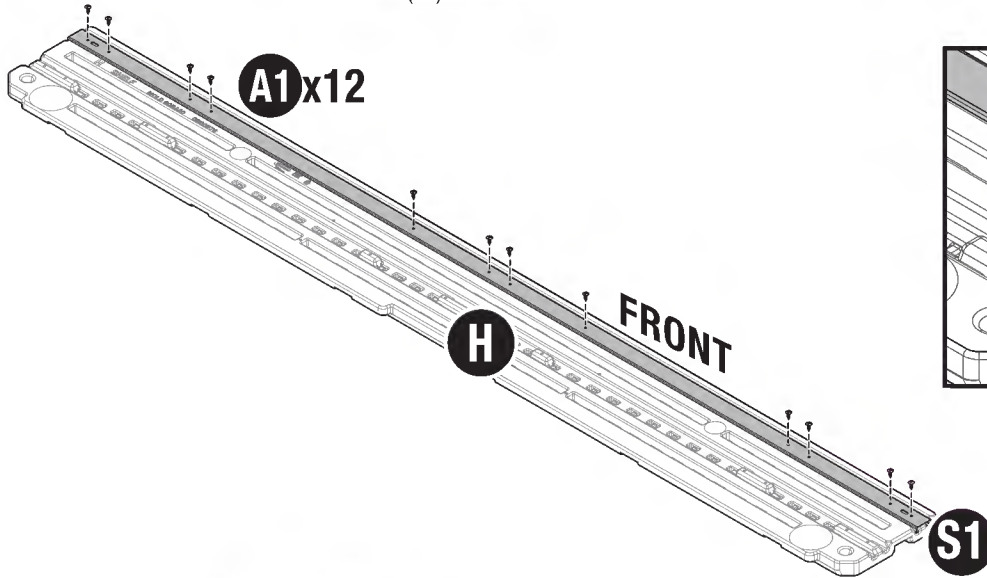


19



(A1) x12

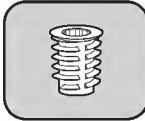
Place shelf (**H**) on a flat surface as shown. Position header beam (**83"**, **S1**) into channel, secure with 12 screws (**A1**). *Note: Slotted holes are not used.*



20



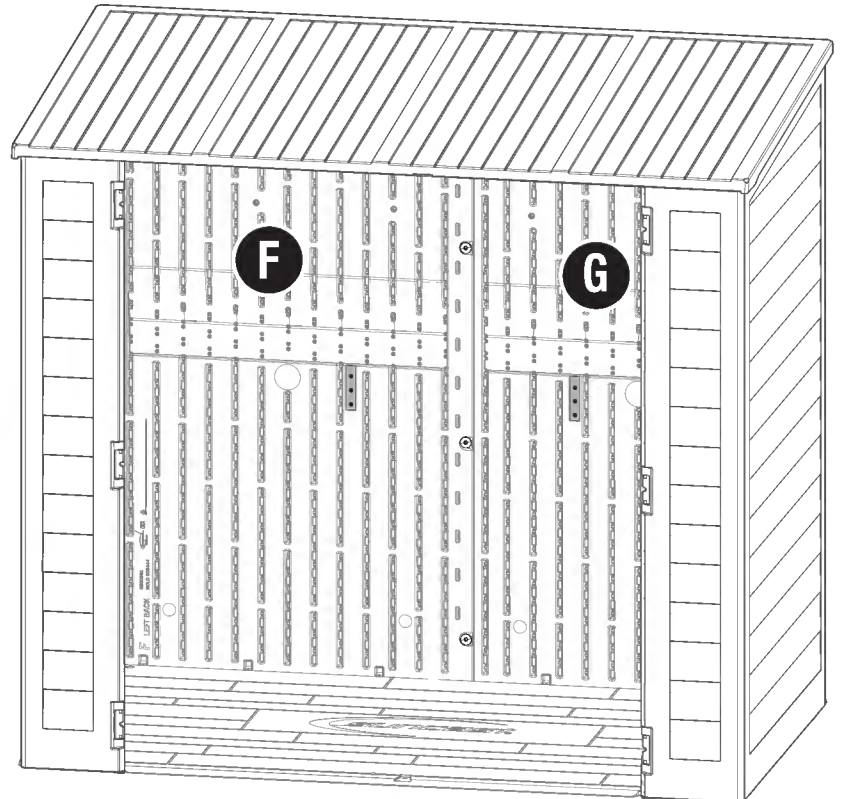
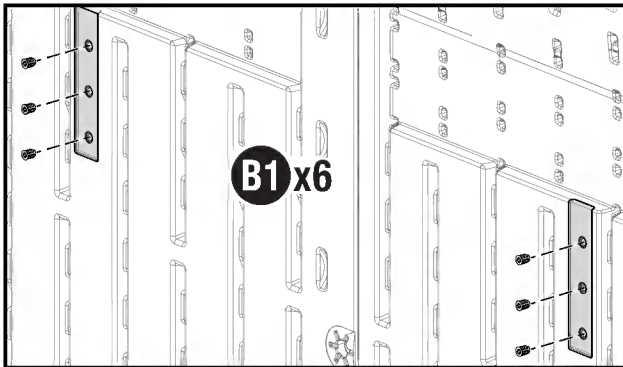
4 mm



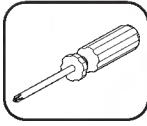
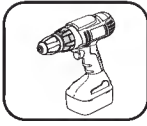
(B1) x6

Install 6 threaded nut inserts (**B1**) into back panels (**F,G**) where indicated.

Note: Nut inserts should sit flush with surface of panel.



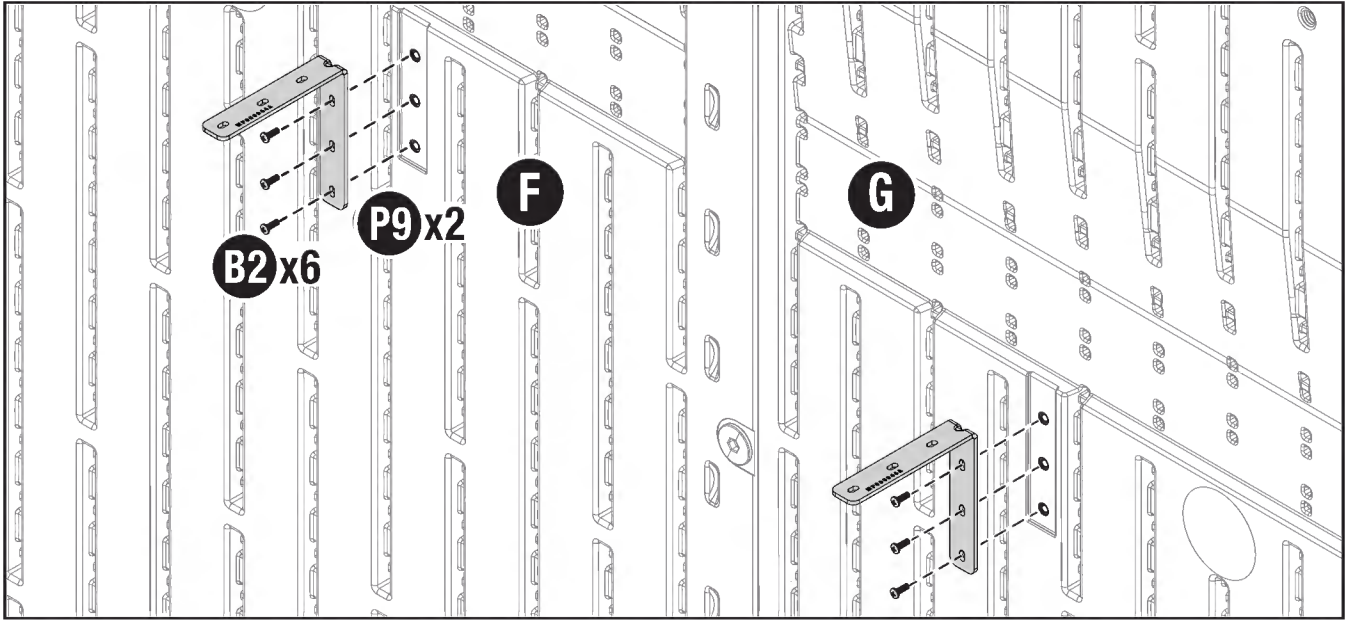
21



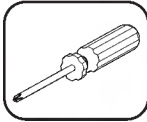
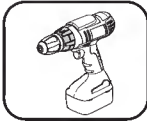
(B2) x6

(P9) x2

Using 3 bolts each (B2), secure 2 corner braces (P9) across back panels (F,G) at the locations indicated.

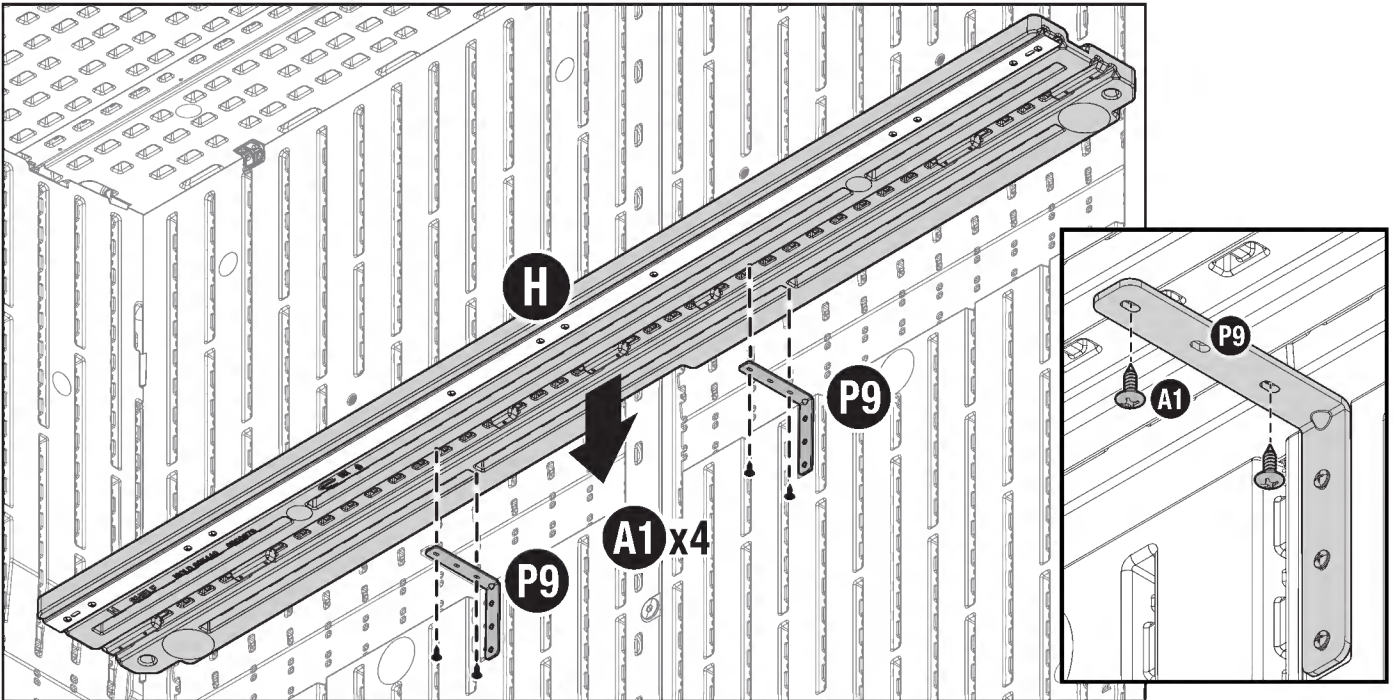


22

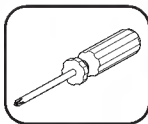


(A1) x4

Align shelf (H) over corner braces (P9) as shown. Using 2 screws each (A1) secure shelf (H) to each corner brace (P9) where indicated.

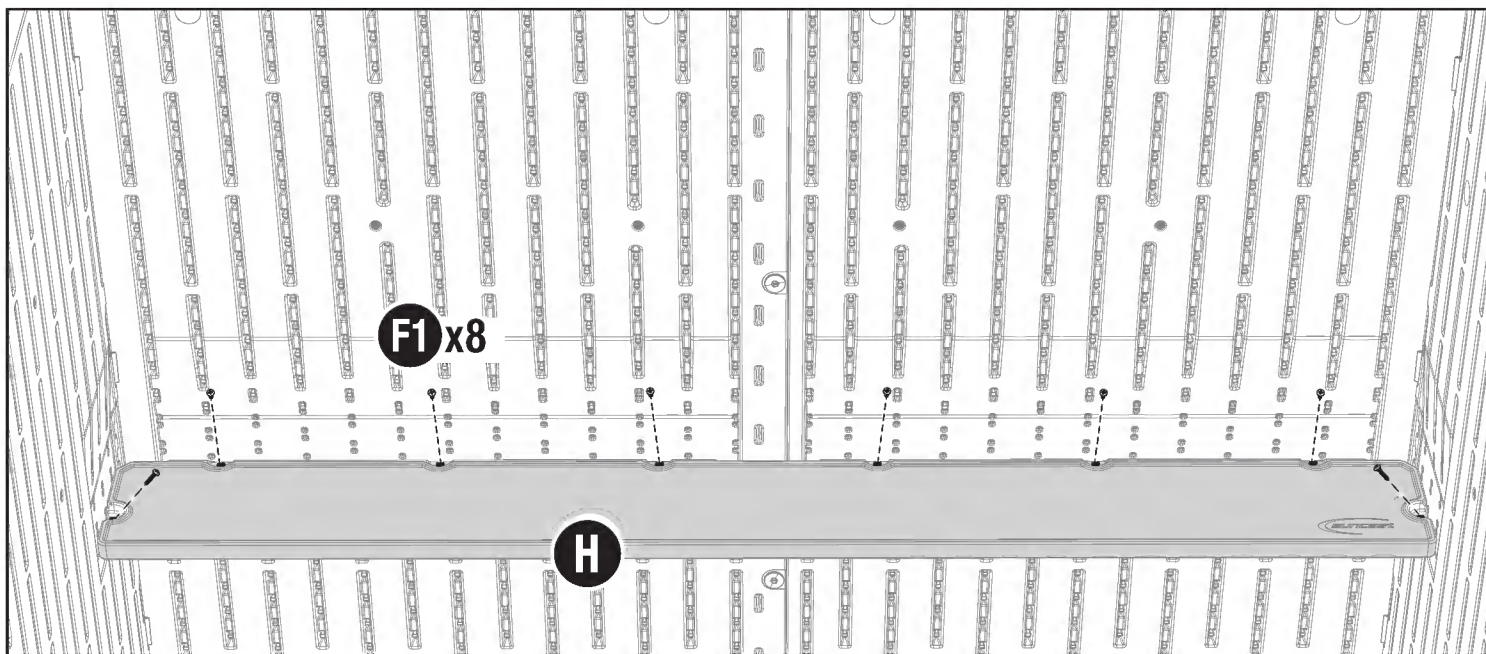


23

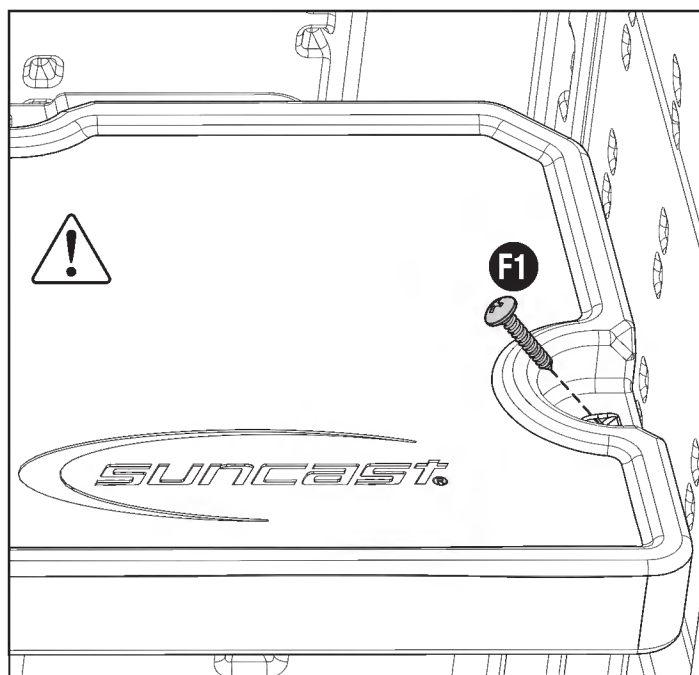


(F1) x8

Using 8 screws (F1), secure shelf (H) to shed at the locations indicated.



IMPORTANT: Screws (F1) need to be fastened on an angle for maximum thread engagement.

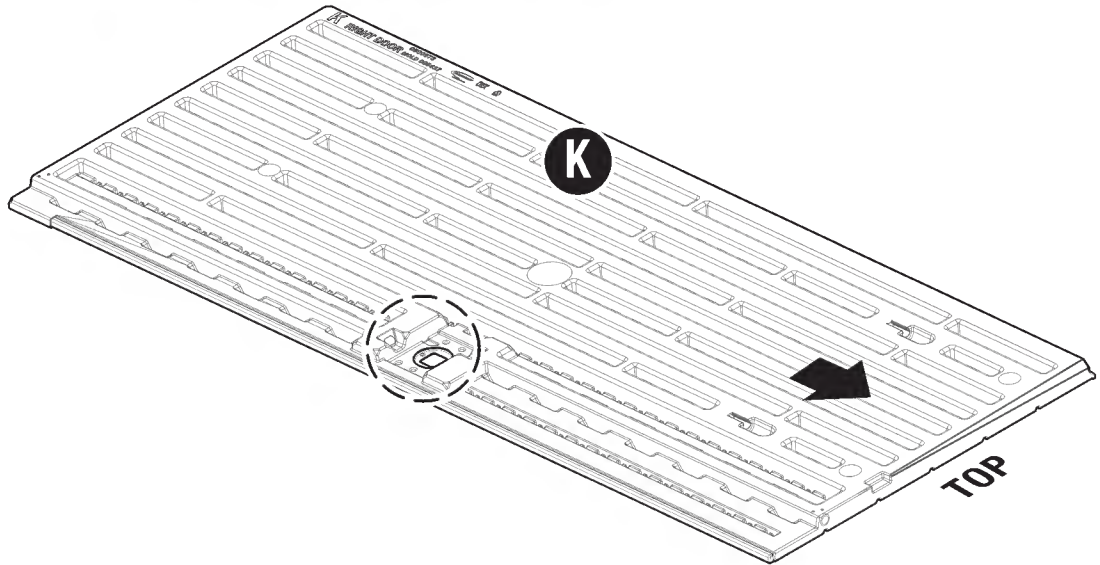
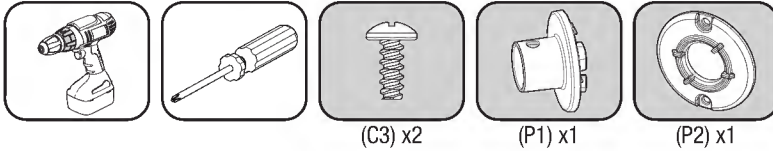


Assembly - Doors

Required Hardware / Steel Kits



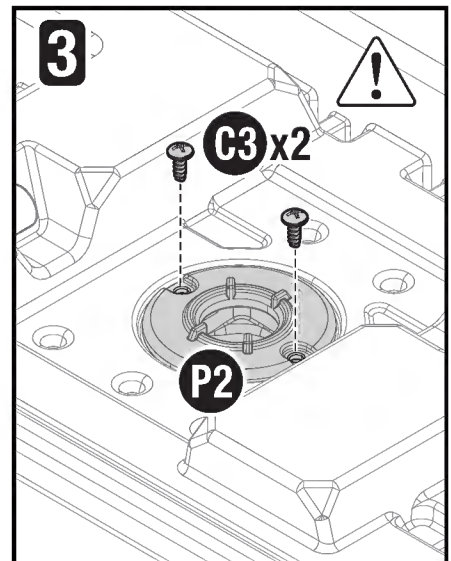
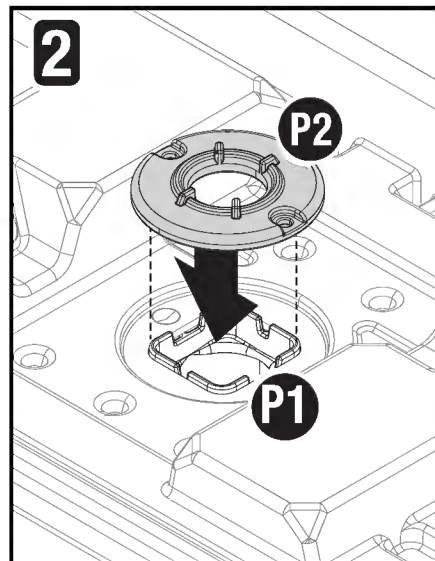
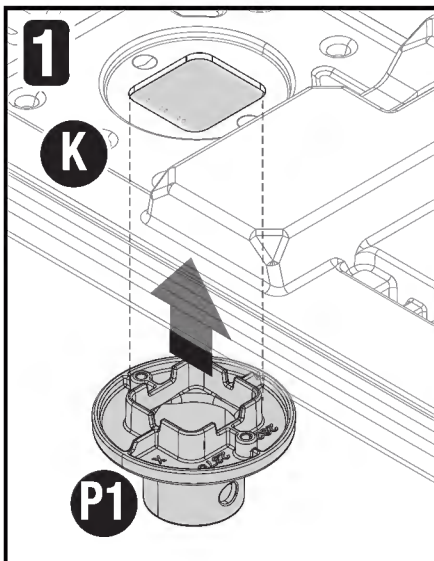
24



Place right door (**K**) on a flat surface with the **back side of door facing up**.

- 1) From the **front** side of door, insert locking collar (**P1**) into door handle opening as shown.
- 2) While holding locking collar (**P1**) in position, from the **back** side of the door (**K**), insert right lock bushing (**P2**) and align with locking collar (**P1**).
- 3) Using 2 bolts (**C3**), secure locking collar (**P1**) to right lock bushing (**P2**).

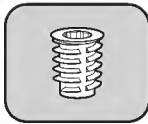
IMPORTANT: Lock bushing should be positioned with the screw holes facing the top and bottom ends of the door.



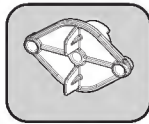
25



4 mm



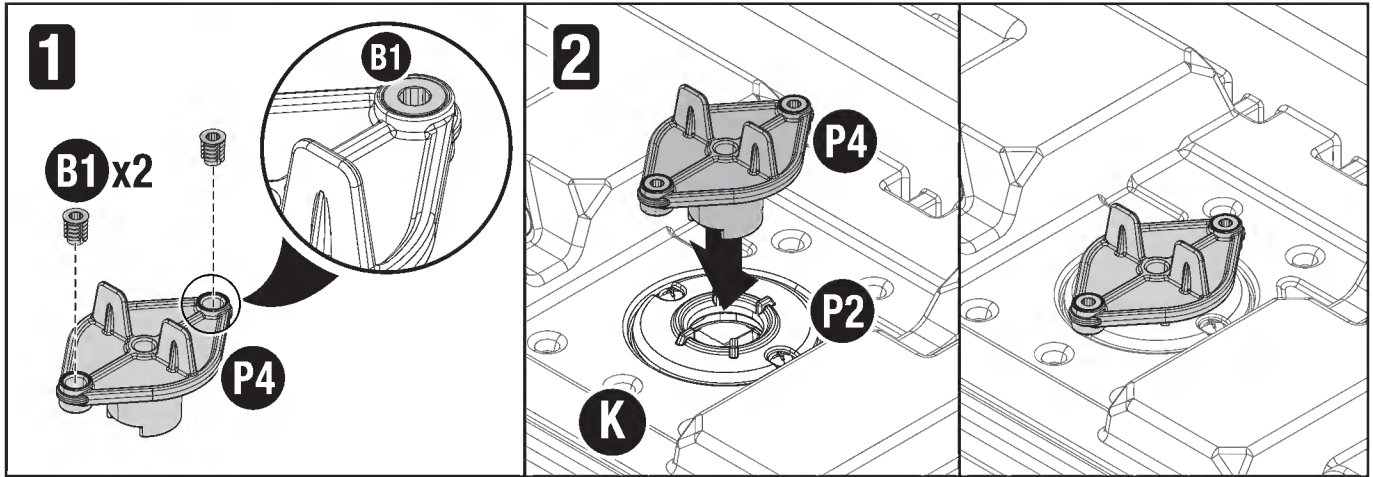
(B1) x2



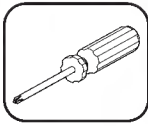
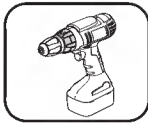
(P4) x1

- 1) Thread 2 nut inserts (**B1**) into lock cam (**P4**).
- 2) Once nut inserts are installed, position lock cam (**P4**) so that it rests atop of the right door bushing (**P2**), **orientated as shown**.

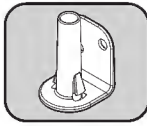
Note: Nut inserts are secure once they are flush with the surface.



26



(A1) x4

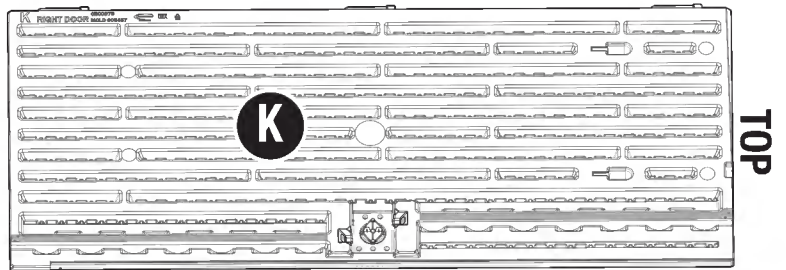


(P5) x2

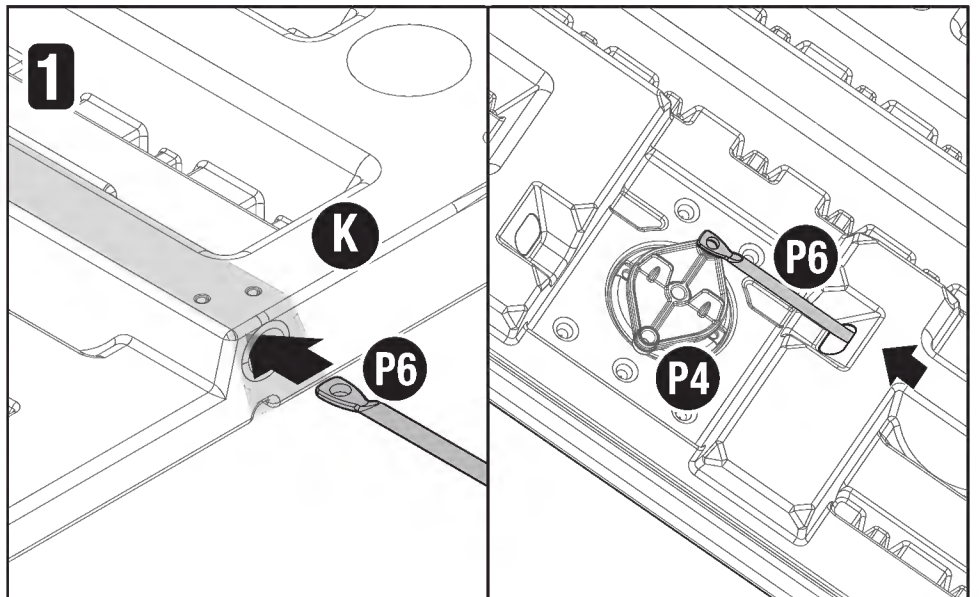


(P6) x2

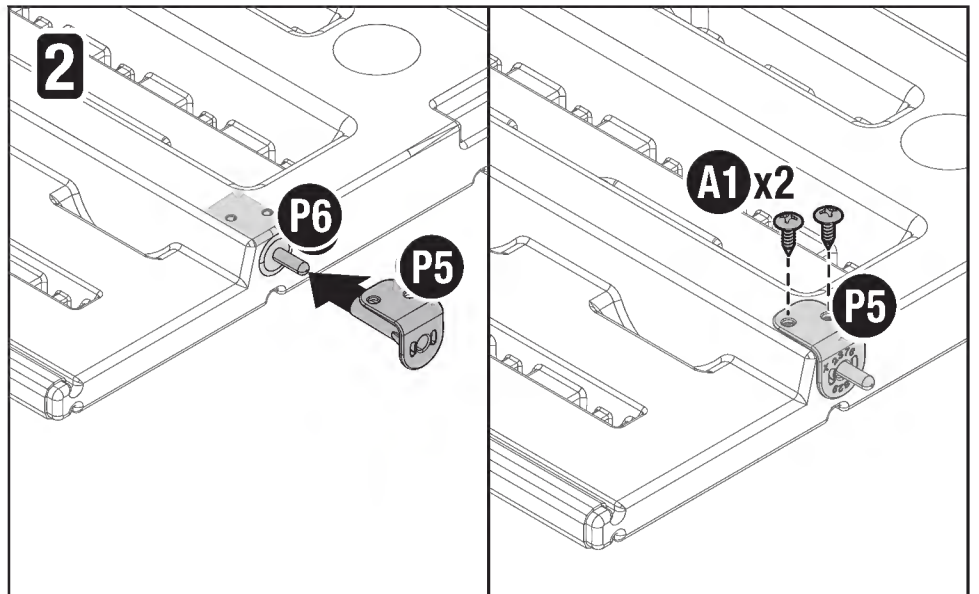
Identify upper and lower locking rod channels on right door (K).



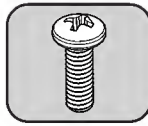
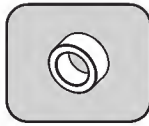
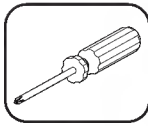
- 1) Starting at the top of the right door (K), insert locking rod (P6) into upper channel. Push locking rod (P6) through channel until it aligns with the lock cam (P4) as shown.



- 2) While holding locking rod (P6) in place, insert 1 rod bushing (P5) over the locking rod and into the top of right door (K) and secure with 2 screws (A1). Repeat for lower rod channel.



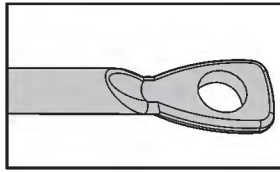
27



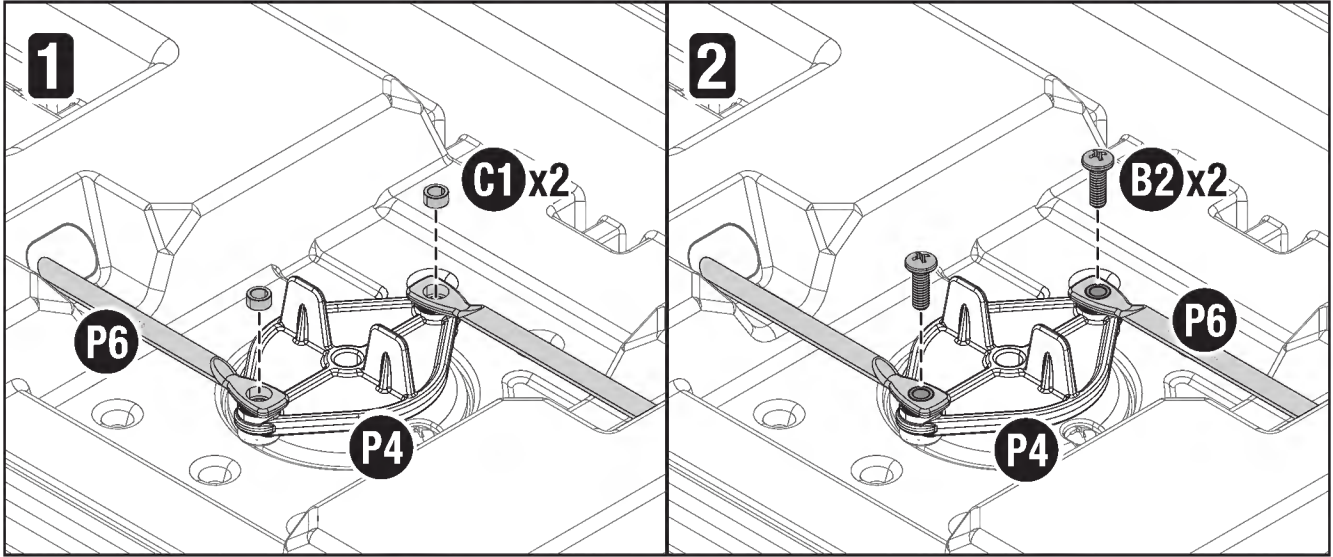
(C1) x2

(B2) x2

- 1) Align the center of each locking rod with the openings on lock cam (P4). Insert 1 spacer (C1) into the opening of each locking rod (P6).
- 2) Secure each rod (P6) to lock cam (P4) with 1 bolt (B2).



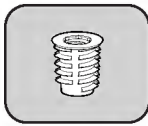
IMPORTANT: Orientation is critical. Locking rod can be rotated within the channel to correct orientation.



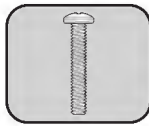
28



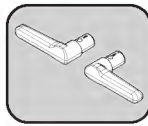
6 mm



(C2) x1

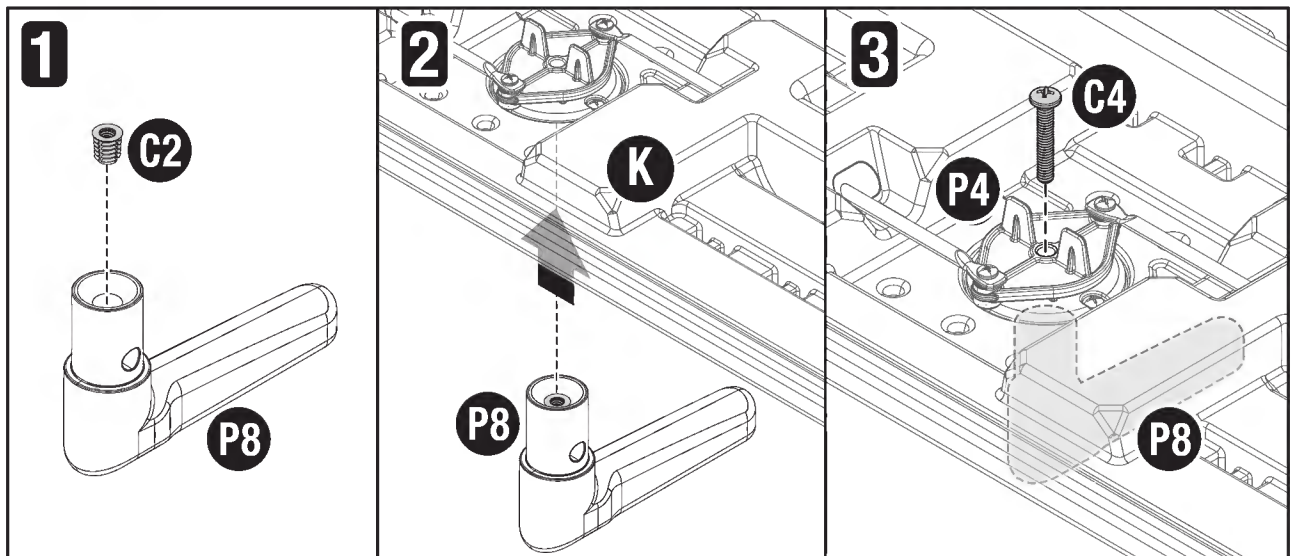


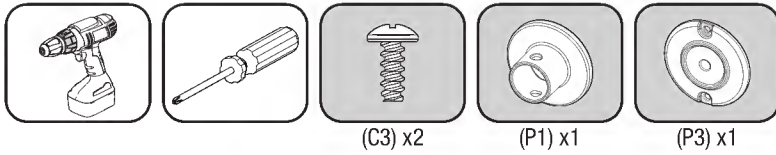
(C4) x1



(P8) x1

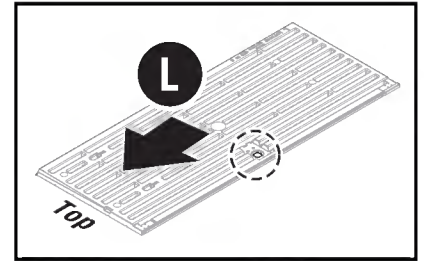
- 1) Thread 1 nut insert (C2) into the center of 1 door handle (P8).
- 2) From the **front** of right door (K), insert handle (P8) through lock assembly.
- 3) From the **back** of door, thread 1 bolt (C4) through lock cam and door handle (P8). Tighten securely.



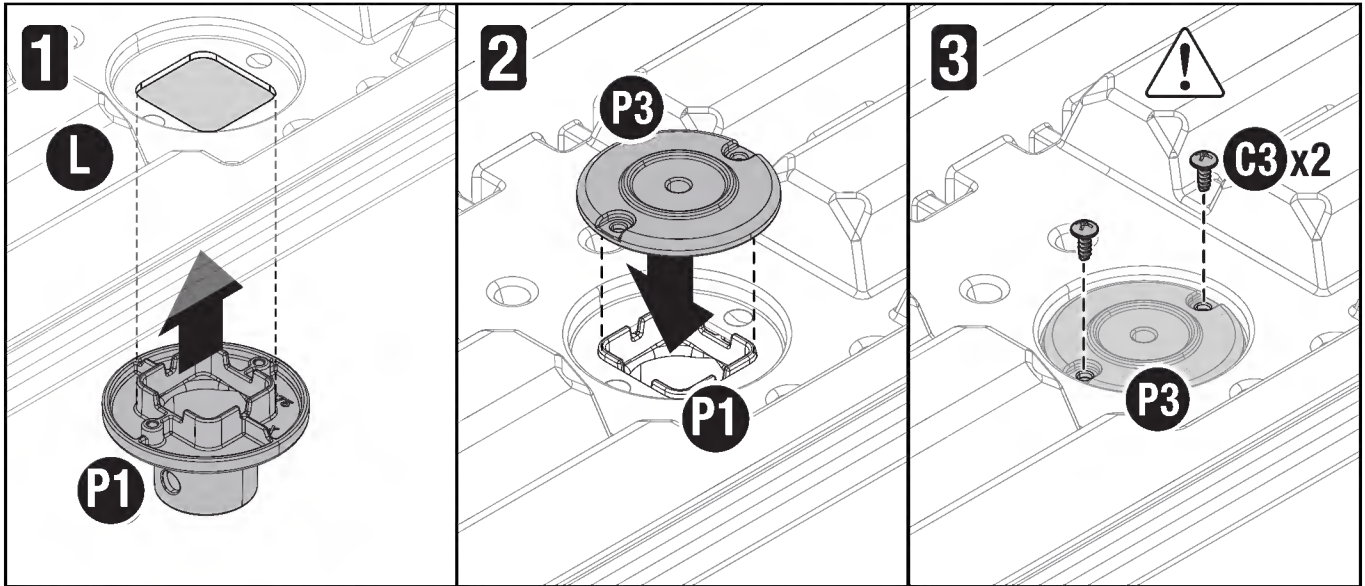
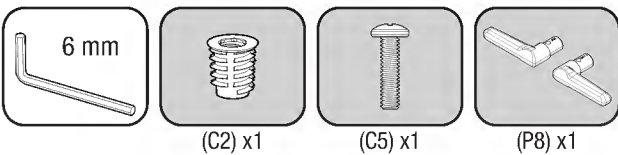
29

Place left door (L) on a flat surface with the back side of the door facing up.

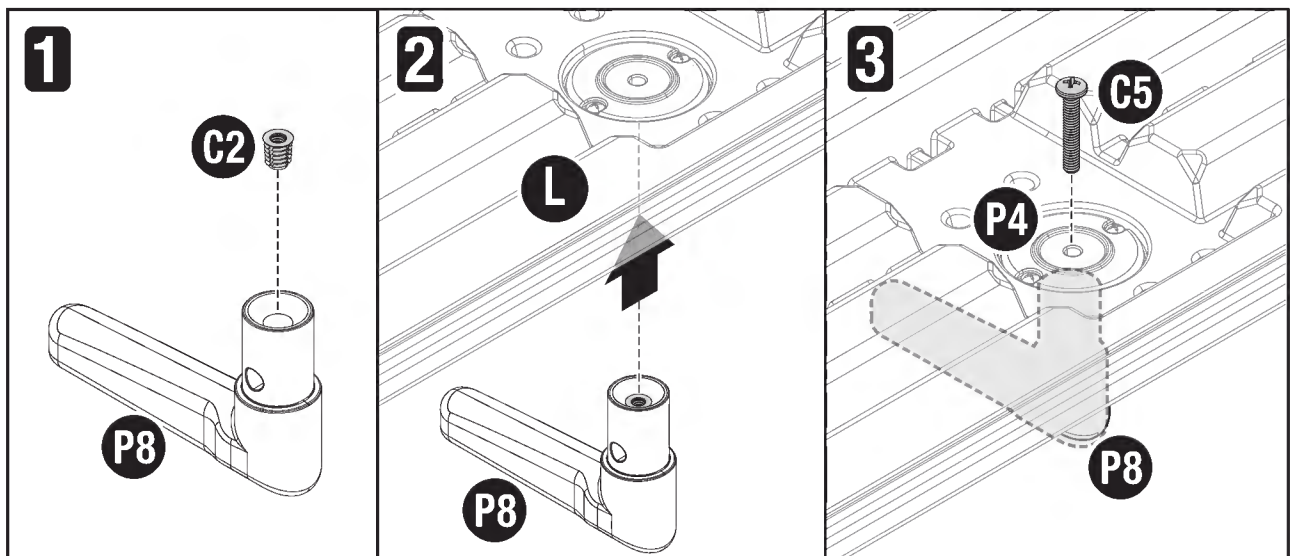
- 1) From the **front** side of the door, insert locking collar (P1) into door handle opening.
- 2) While holding locking collar (P1) in position, from the **back** side of door (L), insert left lock bushing (P3) and align with locking collar (P1).
- 3) Using 2 bolts (C3), secure locking collar (P1) to left lock bushing (P2).

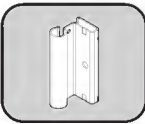


IMPORTANT: (P3) should be positioned with the screw holes facing the top and bottom ends of the door.

**30**

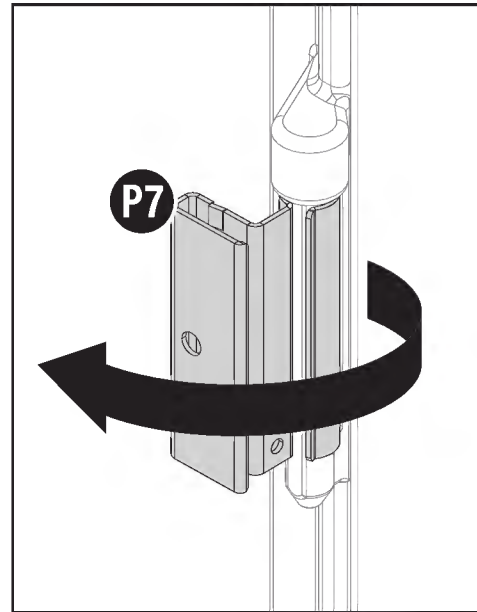
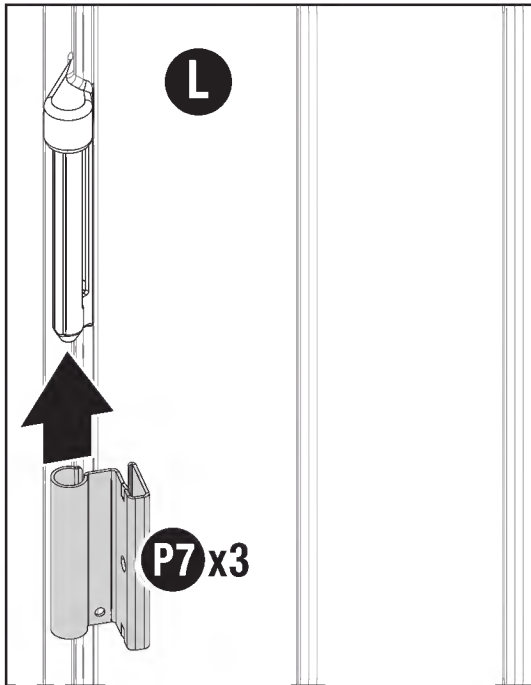
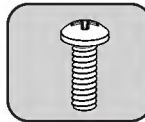
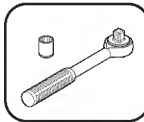
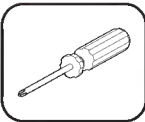
- 1) Thread 1 nut insert (C2) into the center of door handle (P8).
- 2) From the **front** of the left door door (L), insert handle (P8) through lock assembly.
- 3) From **back** of door, thread 1 bolt (C5) through lock assembly and door handle (P8). Tighten securely.



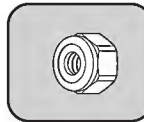
31

(P7) x3

Hold 1 door hinge (P7) in open position against left door (L). From the bottom of the hinge pin, slide door hinge (P7) onto hinge pin and then rotate it away from the door (L). Repeat to install 2 additional door hinges (P7) to left door.

**32**

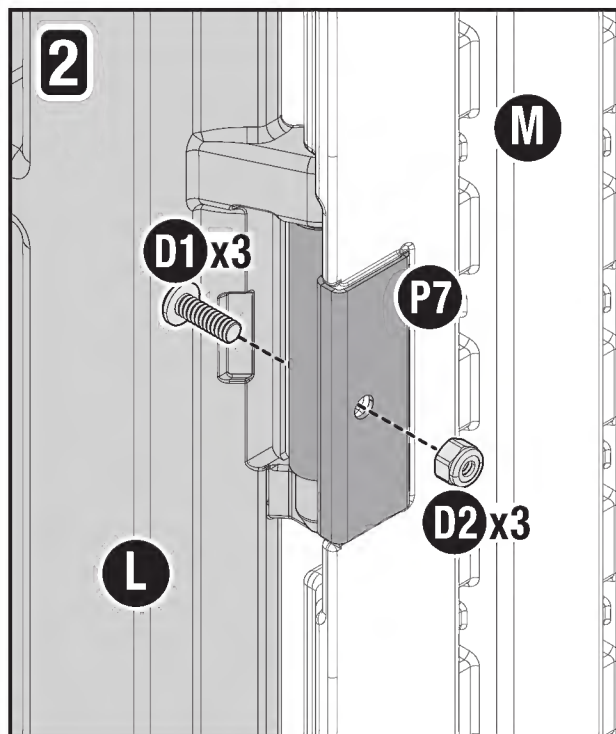
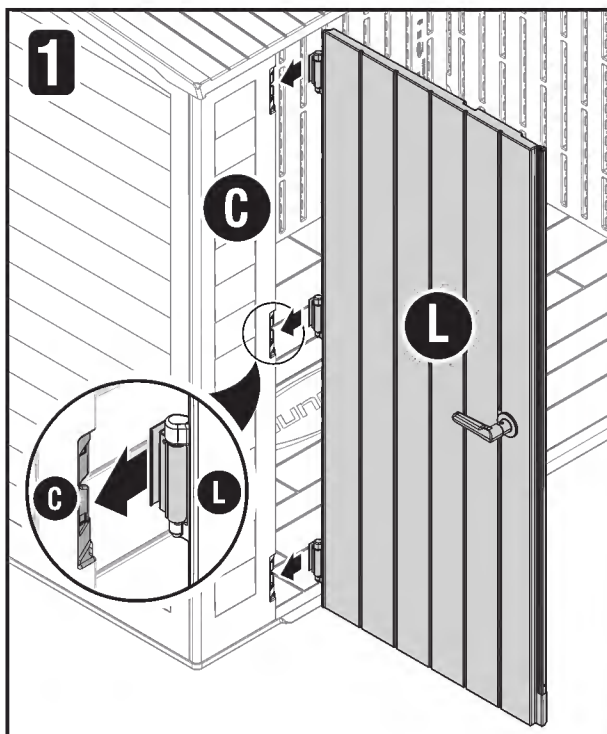
(D1) x3

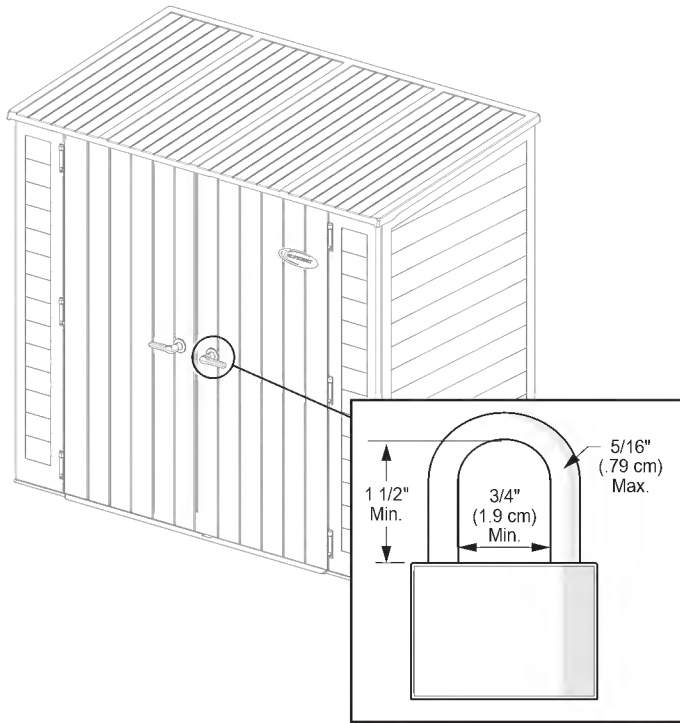


(D2) x3

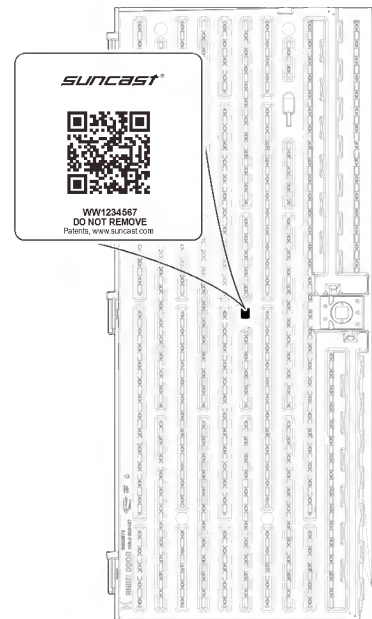
- 1) Position left door (L) against the left front (C) as shown. Slide each door hinge (P7) onto the hinge receptacles of left front (C).
- 2) From inside of shed, secure each door hinge (P7) with 1 bolt (D1) and nut (D2). Tighten securely.

Repeat steps 31-32 for right door (K).





To maintain warranty coverage, when product is not in use, all doors should be closed with latching devices engaged and secured with a padlock (not provided) where indicated.



This label located on the inside of door contains information specifically related to your product. Please have these numbers available should you need to contact Suncast.

SUNCAST[®]