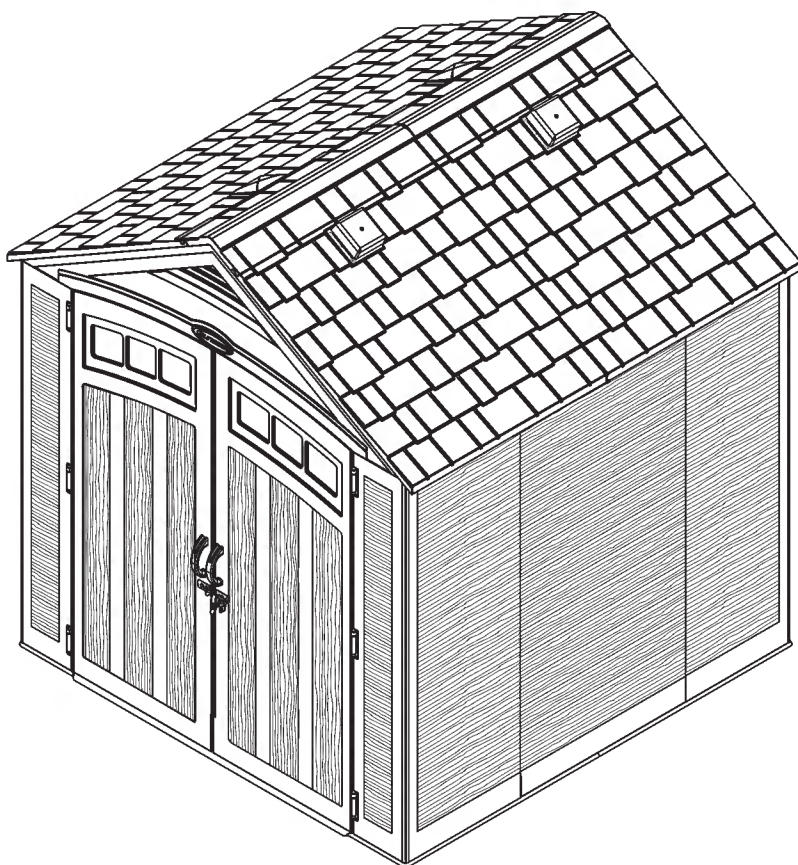
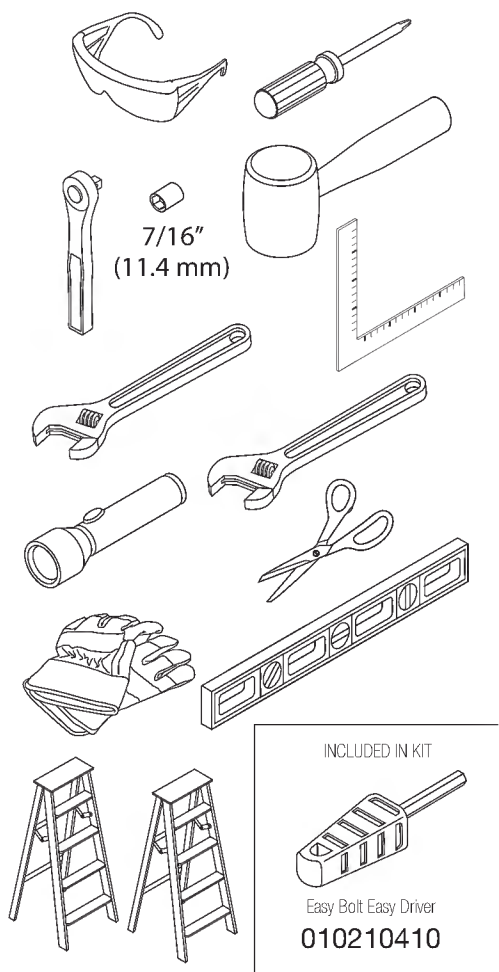


BMS7702 Vista™ Storage Shed

ASSEMBLY INSTRUCTIONS



Tools Required



Scan QR Code for product assembly video.

SUNCAST®

Smart. Inside & Out®

Register your product for Limited Warranty!

Must register product within 90 days of purchase for limited warranty



www.suncast.com/warranty or call US 1 (800) 846-2345

Have Questions?


We are here to help. Check out our resource library along with helpful tips, videos and FAQ's.

You may call the Contact Center directly at: 1 (800) 846-2345 or write
Suncast Corporation, Contact Center, 701 N. Kirk Road, Batavia, IL 60510 (USA)





Before You Begin...

- **Consult your local authorities for any permits required to construct shed.**
Prior to the construction of your shed, check with the local building code official to review any required permits or building limitations.
- **A level and sturdy foundation is required before shed construction can begin.**
Site preparation information is available on pages 11-12. A foundation that differs from the suggestions within this manual could prevent proper assembly and may damage parts.
- **Read instructions thoroughly prior to assembly.**
This kit contains parts that can be damaged if assembled incorrectly or in the wrong sequence.
- **Please follow instructions.**
Suncast is not responsible for replacing parts lost or damaged due to incorrect assembly.
- **Assistance is required during entire assembly.** 

IMPORTANT

OPEN ALL BOXES FIRST AND NEATLY LAYOUT PARTS. SMALL PARTS MAY BE CONTAINED IN EACH BOX. PLEASE REFERENCE PARTS LIST WITHIN THIS MANUAL TO VERIFY ALL PARTS ARE PRESENT.

COMPLETE SITE PREPARATION AND FOUNDATION CONSTRUCTION BEFORE UNPACKING ALL PARTS.



CAUTION

- Proper site preparation required.
- Shed not intended for use in extreme weather conditions.
- Shed not intended for storage of flammable or caustic chemicals.
- Store heavy items near the bottom of shed.
- Shed not intended for use by children.
- **DO NOT** stand, sit, or store items on storage shed roof.
- Treat carefully in extreme temperatures.
- Repair or replace broken parts immediately.
- Suncast is not responsible for damage caused by weather or misuse.
- At regular intervals, inspect your shed to make sure that assembly integrity has been maintained.
- Periodically check that the location you have chosen to set your shed is still level.
- This kit contains parts with metal edges. Please be careful when handling.



Shed Safety and Care

- Hot items, such as recently used grills, blowtorches, etc., must not be stored in the shed.
- Heavy articles should not be leaned against the walls, as this may cause panel distortion and permanent damage.
- Keep roof clean of snow and leaves.
- The shed walls and roof sections have a textured exterior, much like vinyl home siding. Over time, dust may accumulate in the texture. When combined with moisture, this could encourage the growth of moss or mold on the shed. To maintain the look of your shed, we recommend cleaning it each year with mild soap and water. **DO NOT** use bleach, ammonia, or other caustic cleaners, and **DO NOT** use stiff bristle brushes. Failure to perform annual cleaning could result in permanent staining of the plastic. This is not a manufacturing defect and is not covered under warranty.

Assembly Day Tips

- Complete site preparation and foundation construction before unpacking parts and beginning assembly.
- **DO NOT** attempt to assemble on a day with strong winds.
- **DO NOT** attempt to assemble on days when temperature is below 32 degrees Fahrenheit.
- Set aside appropriate amount of time to completely assemble shed.
- Make sure you have assistance nearby to lift and secure parts in place.
- Wear light duty work gloves while assembling shed.
- Once roof is assembled, a flashlight may be of use when assembling smaller components inside shed.
- **DO NOT** use a torque wrench or hand drill to tighten provided Easy bolts. Use 010210410 Easy Bolt Easy Driver tool (provided) **ONLY**.
- Suncoast provides extra hardware for small fasteners for customer convenience. In some cases, there will be extra small fasteners once the assembly is complete.

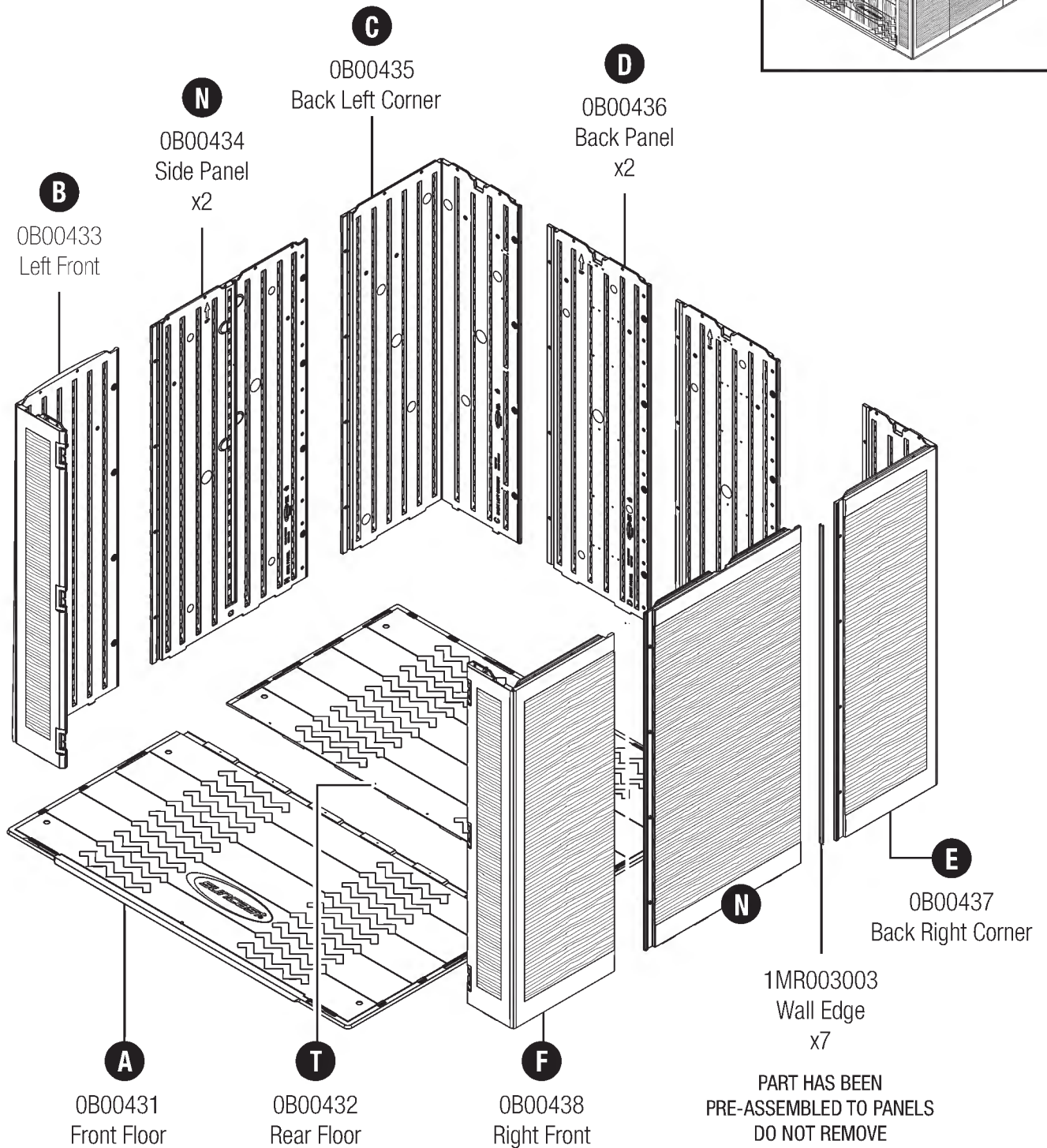
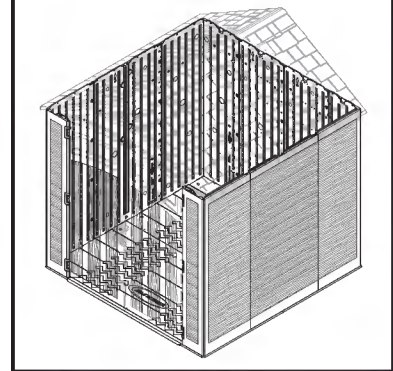
Note: This product contains parts that are used in different orientations to construct the shed. Please take note of the orientation of the parts shown throughout this instruction manual. Failure to follow instructions could result in damage to parts. Suncoast is not responsible for replacing parts lost or damaged due to incorrect assembly.

Parts - Walls and Floors

IMPORTANT

OPEN ALL BOXES FIRST AND NEATLY LAYOUT PARTS. SMALL PARTS MAY BE CONTAINED IN EACH BOX. PLEASE REFERENCE THE PARTS LIST WITHIN THIS MANUAL TO VERIFY ALL PARTS ARE PRESENT.

COMPLETE SITE PREPARATION AND FOUNDATION CONSTRUCTION BEFORE UNPACKING ALL PARTS.

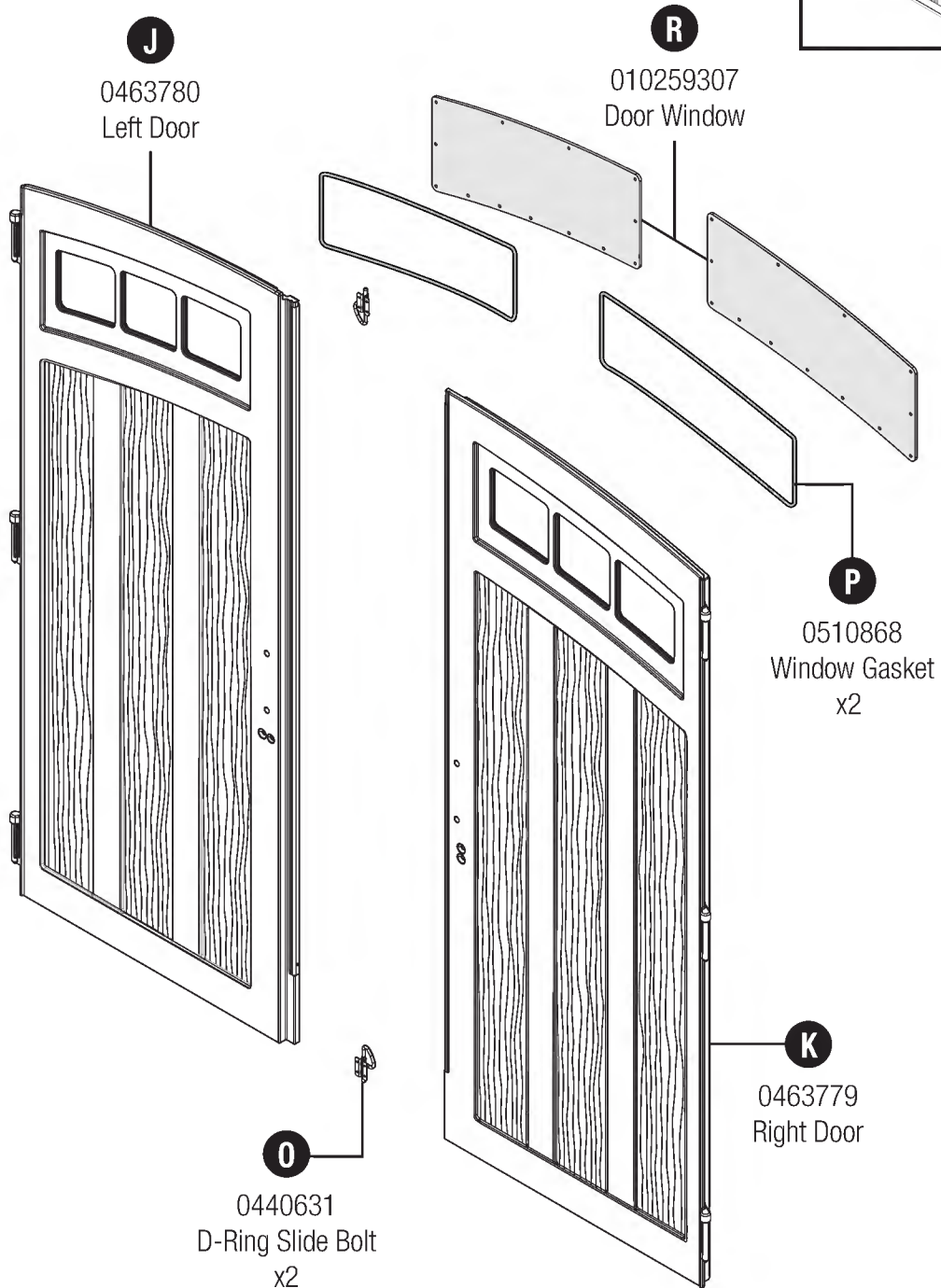
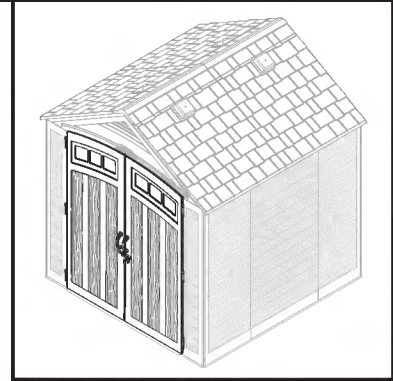


Parts - Doors

IMPORTANT

OPEN ALL BOXES FIRST AND NEATLY LAYOUT PARTS. SMALL PARTS MAY BE CONTAINED IN EACH BOX. PLEASE REFERENCE THE PARTS LIST WITHIN THIS MANUAL TO VERIFY ALL PARTS ARE PRESENT.

COMPLETE SITE PREPARATION AND FOUNDATION CONSTRUCTION BEFORE UNPACKING ALL PARTS.

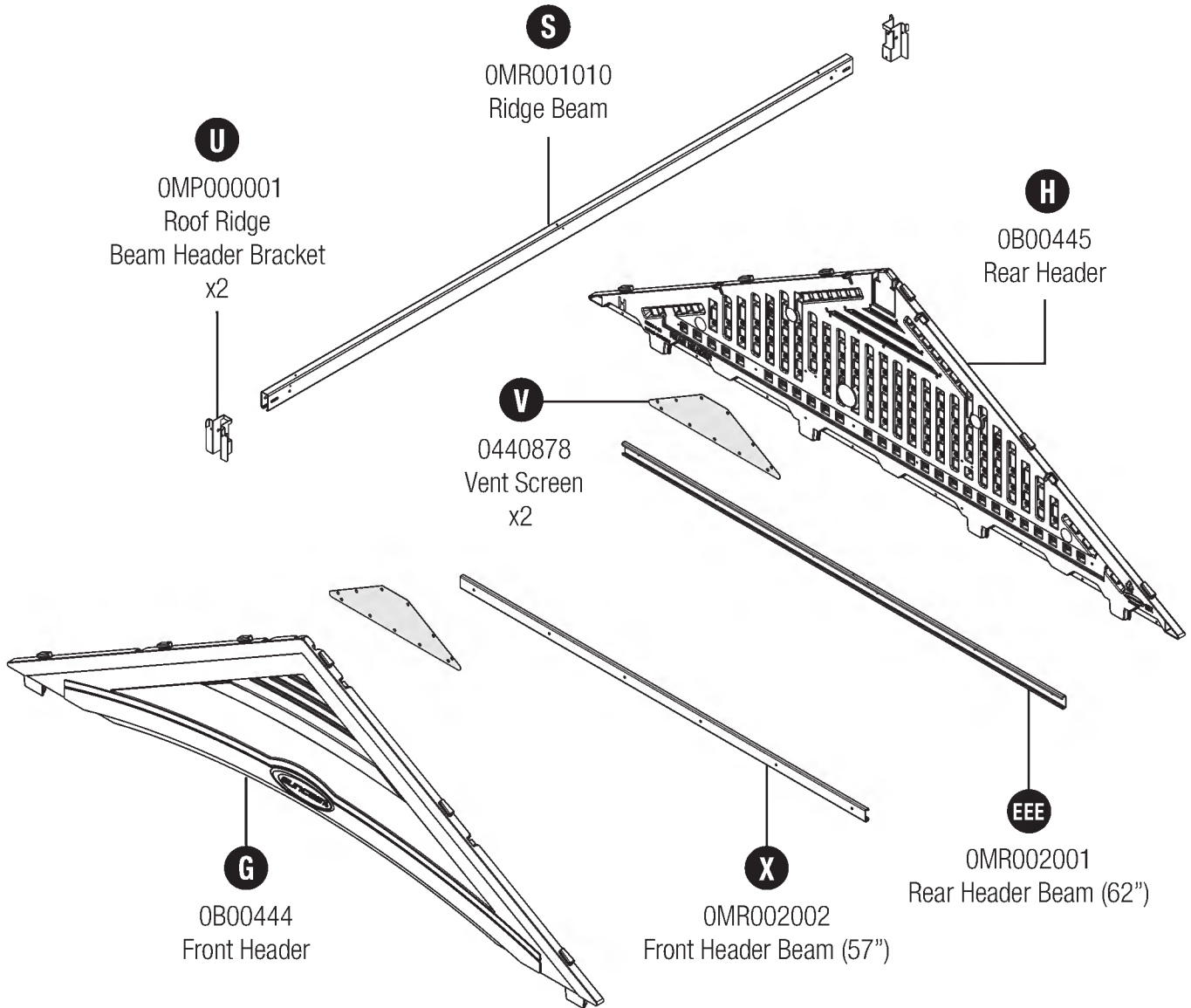
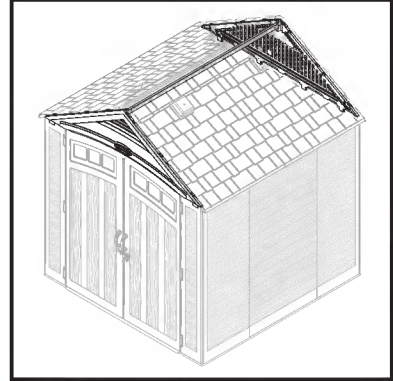


Parts - Headers

IMPORTANT

OPEN ALL BOXES FIRST AND NEATLY LAYOUT PARTS. SMALL PARTS MAY BE CONTAINED IN EACH BOX. PLEASE REFERENCE THE PARTS LIST WITHIN THIS MANUAL TO VERIFY ALL PARTS ARE PRESENT.

COMPLETE SITE PREPARATION AND FOUNDATION CONSTRUCTION BEFORE UNPACKING ALL PARTS.

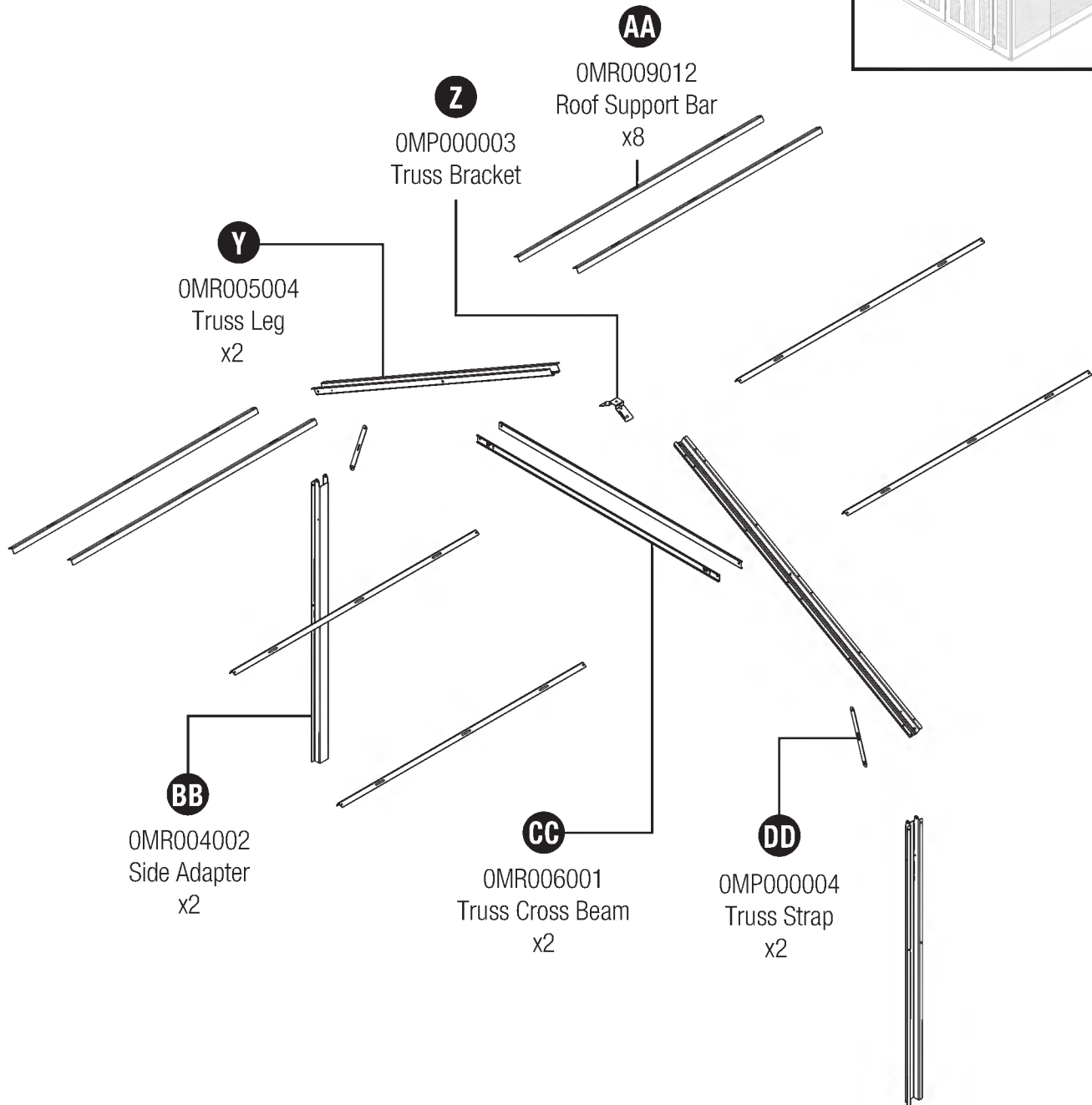
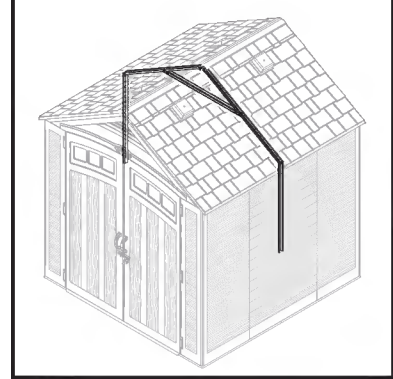


Parts - Roof Truss

IMPORTANT

OPEN ALL BOXES FIRST AND NEATLY LAYOUT PARTS. SMALL PARTS MAY BE CONTAINED IN EACH BOX. PLEASE REFERENCE THE PARTS LIST WITHIN THIS MANUAL TO VERIFY ALL PARTS ARE PRESENT.

COMPLETE SITE PREPARATION AND FOUNDATION CONSTRUCTION BEFORE UNPACKING ALL PARTS.

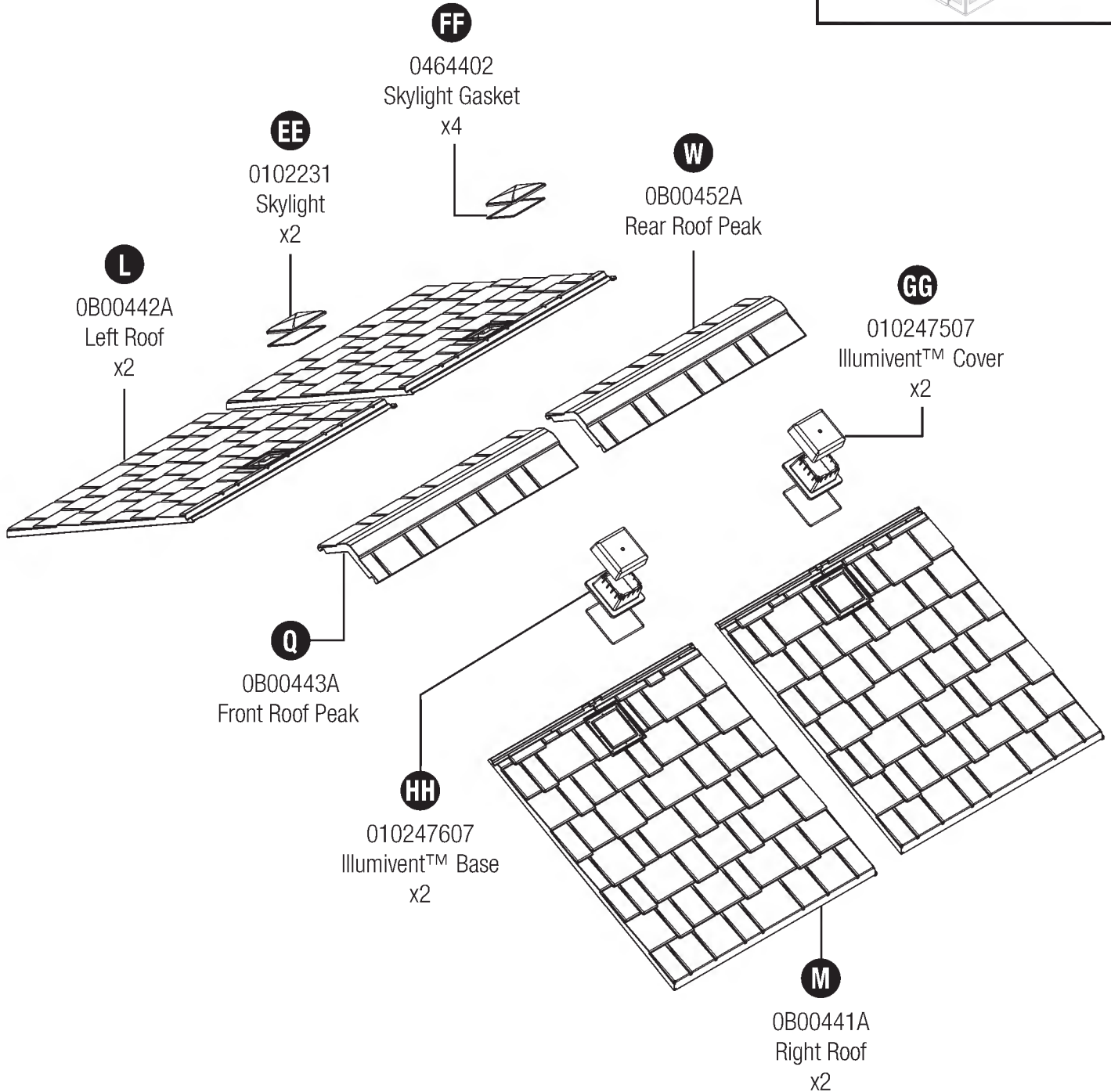
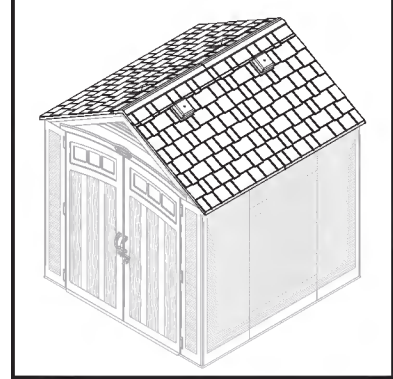


Parts - Roof

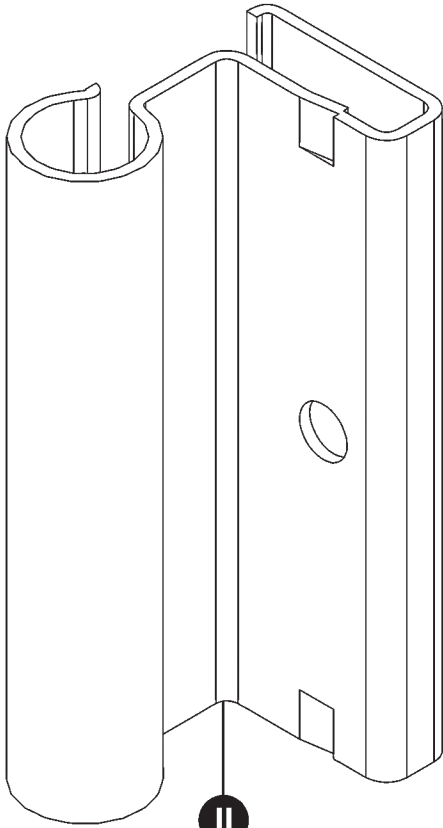
IMPORTANT

OPEN ALL BOXES FIRST AND NEATLY LAYOUT PARTS. SMALL PARTS MAY BE CONTAINED IN EACH BOX. PLEASE REFERENCE THE PARTS LIST WITHIN THIS MANUAL TO VERIFY ALL PARTS ARE PRESENT.

COMPLETE SITE PREPARATION AND FOUNDATION CONSTRUCTION BEFORE UNPACKING ALL PARTS.

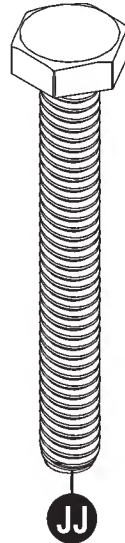


Hardware

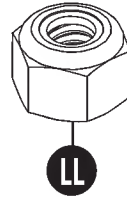


OMP000002 – Metal Hinge Plate
x6

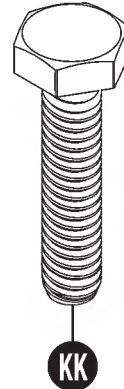
0480340 – Hardware bag



.25" x 2" Hex Bolt
x4

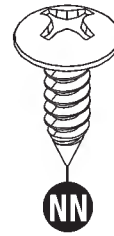


.25" Locking Nut
x6



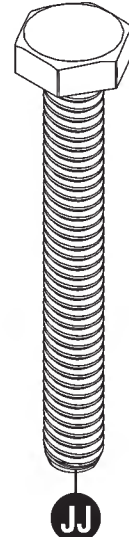
.25 - 20 x 1" Hex Bolt
x2

0480375 –
Hardware bag

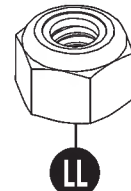


.625" Screw
x210

0480374 – Hardware bag

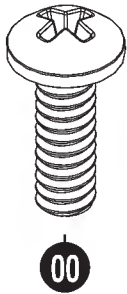


.25" x 2" Hex Bolt
x2

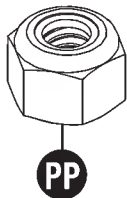


.25" Locking Nut
x2

0480337 – Hardware bag



.25" x .75" Screw
x6



.25" Locking Nut
x6

0480452 – Hardware bag



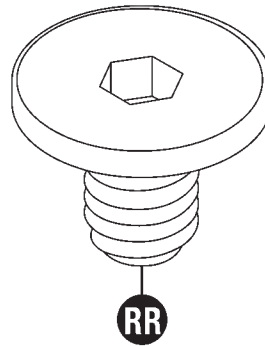
#8 x .625" Screw
x9

0480446 – Hardware bag

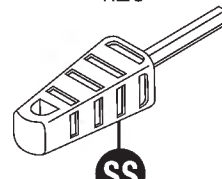


#10 x .375" Screw
x22

Hardware bag

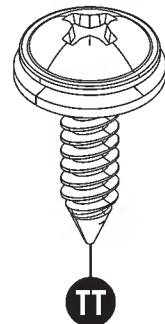


Easy Bolt 7/8"
x28

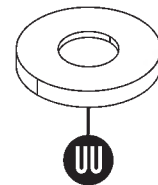


*Easy Bolt Easy Driver

0480438 – Hardware bag



#10 x .75" Screw w/ Washer
x22

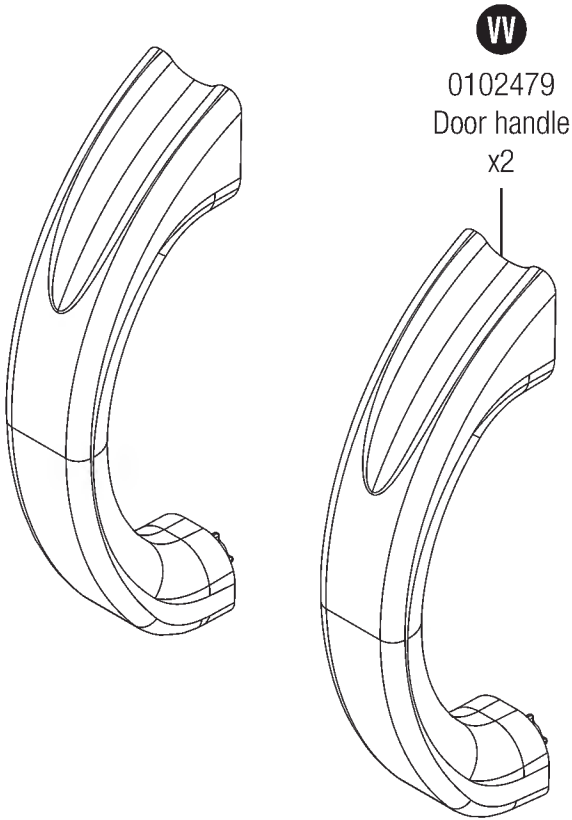


#10 Rubber Sealing Washer
x22

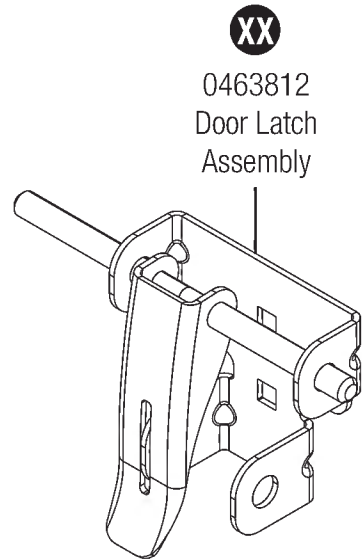
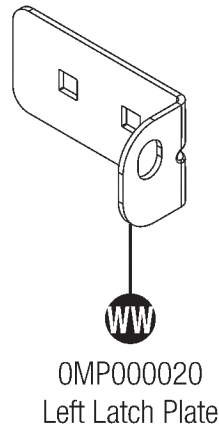
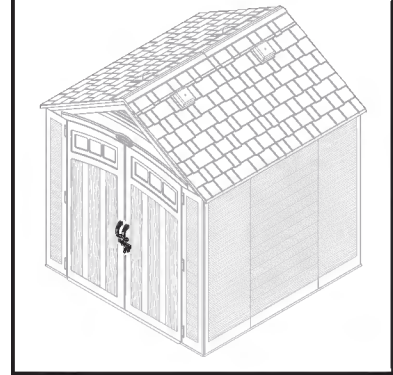
Hardware shown at actual size (*unless otherwise noted). Extra hardware provided. Not all are used.

Door Handle Kit - Parts

0463795 – Door Handle Kit

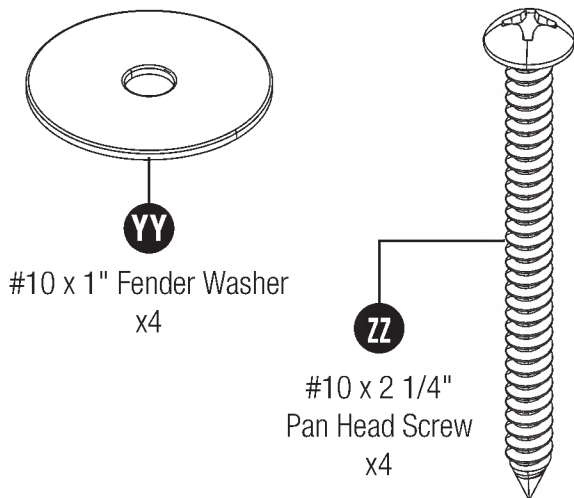


0463797 – Door Latch Kit

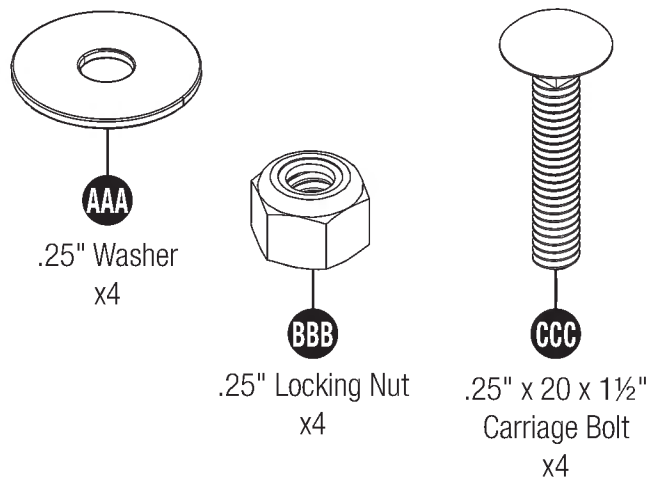


Hardware

0480370 – Hardware Bag



0480439 – Hardware Bag



Hardware shown at actual size (*unless otherwise noted). Extra hardware provided. Not all are used.

Site Preparation and Platform Construction

Materials **NOT** supplied with BMS7702 Shed Kit

Note: Site preparation is required for this shed. Placing the shed on a constructed foundation is required. Without a constructed foundation, settling will probably occur, causing distortion and damage to the shed. Suncastr is not responsible for replacing parts damaged or property lost due to incorrect assembly. Warranty requires foundation.

Note: Complete the site preparation and foundation construction before unpacking parts and beginning assembly. For tips on site preparation, go to www.suncastr.com, consult retailer, or local code.

To prepare your shed site, follow the steps below:

- 1) Consult your local authorities for building codes and covenants before beginning foundation or erecting shed.
- 2) Before any digging, check with local utilities to determine location of buried cables, pipes, etc.
- 3) Decide which type of foundation you want:
 - Concrete slab, 4" thick

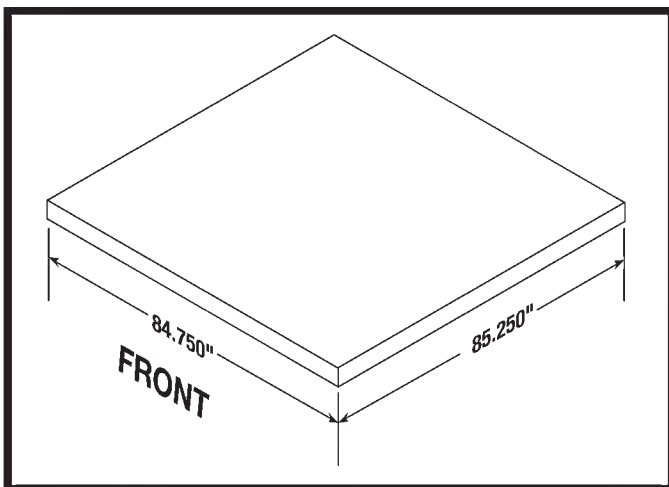
OR

- Wood platform

Use exterior grade wood. The wood platform should be set on pier blocks or footing. Consult your local retailer for help to determine the best anchoring method for your particular installation. The provided plans are sized for the minimum number of cuts to lumber and plywood.

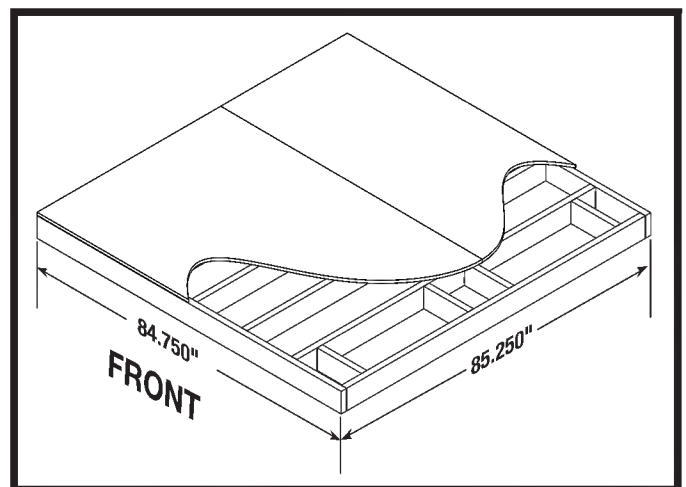
- 4) Prepare the building site:
 - The ground should slope away from the foundation area to provide drainage.
 - The foundation surface must be flat and level.
 - A vapor barrier should be provided to prevent excessive condensation in the shed.
 - Follow local building codes for a proper vapor barrier.
- 5) Anchoring the shed to the foundation:
 - Consult your local retailer for help to determine the best anchoring method for your particular installation.
 - To secure the shed to a concrete slab, use masonry fasteners available at your local hardware retailer.
 - To secure the shed to a wood platform, use 1/4" x 3" long lag screws with washers.

Anchoring floor panel to concrete slab



- Secure shed to concrete slab using masonry fasteners.
- Dimensions allow for shed to fit within the nearest 1" on each side.

Anchoring floor panel to wood platform

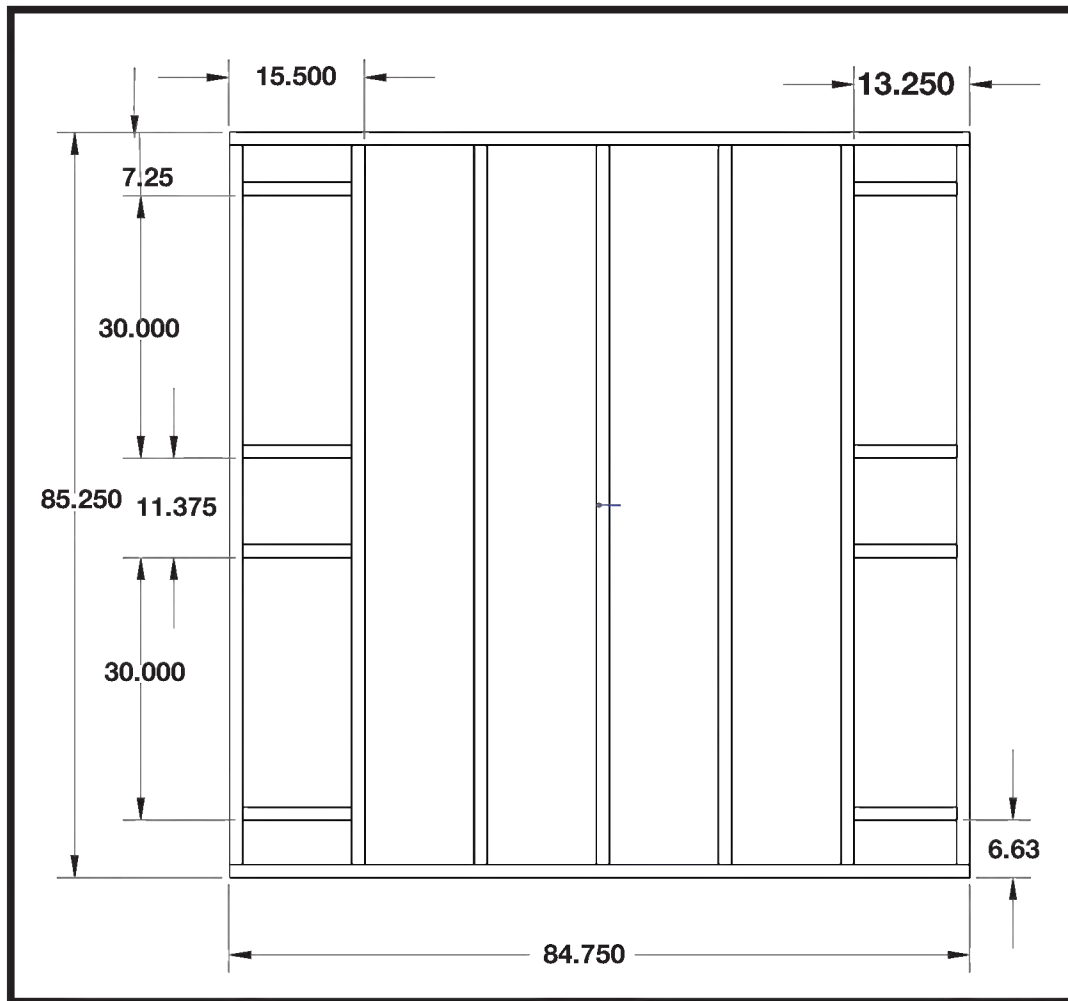


- Secure shed to wood platform using 1/4" x 3" lag screws.

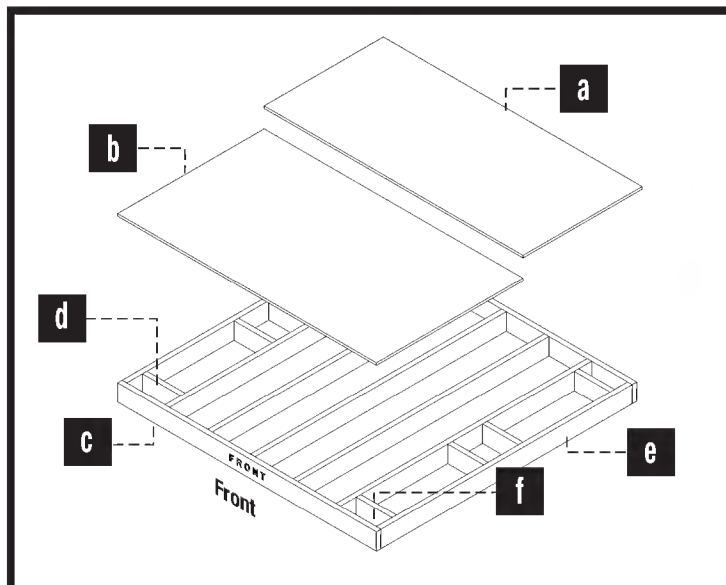
Site Preparation and Platform Construction (continued)

Materials **NOT** supplied with BM7702 Shed Kit

Wood platform critical spacing



- Check all critical spacing measurements.

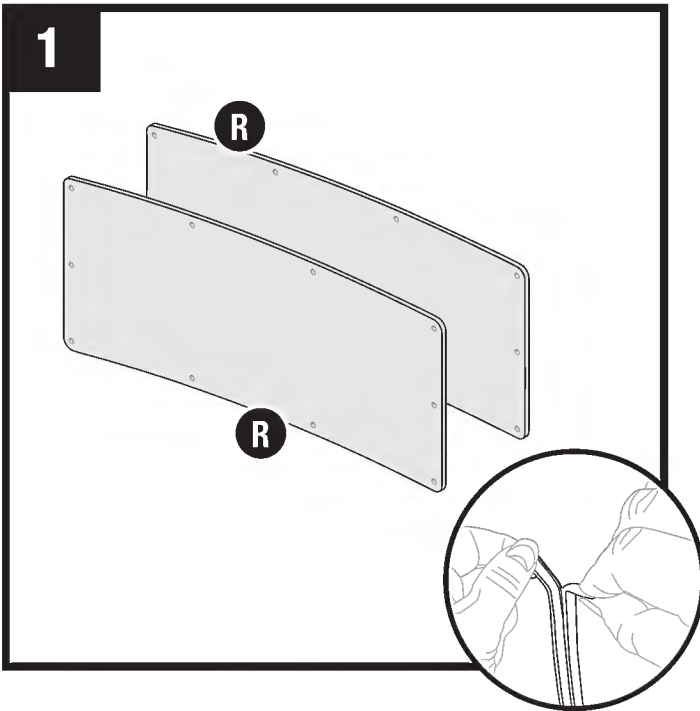


Wood platform materials list

Item	Qty	Size
a	1	37.25" x 84.75" x .75"
b	1	48" x 84.75" x .75"
c	2	2" x 6" x 84.75"
d	4	2" x 6" x 12.5"
e	7	2" x 6" x 82.25"
f	4	2" x 6" x 11.75"

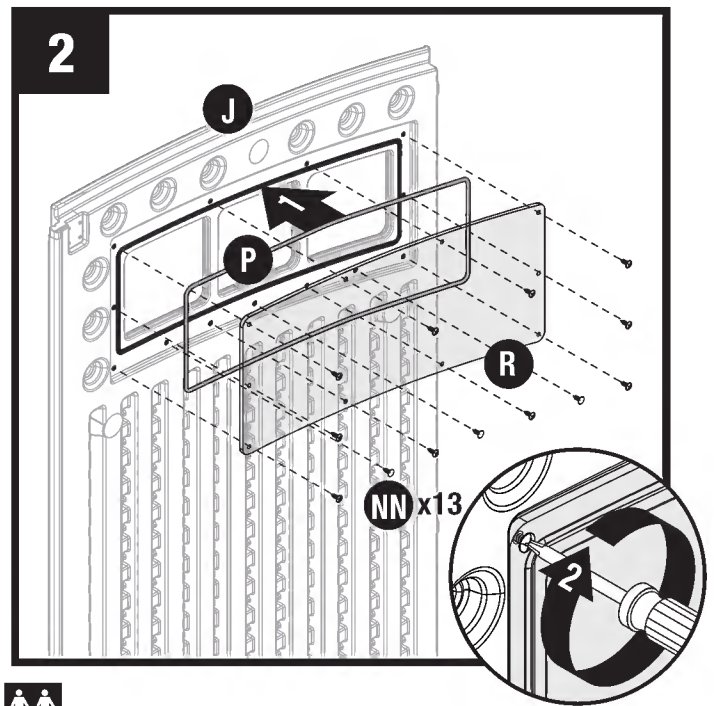
- Please note-dimensional lumber is actually 1/2" smaller than noted sizes.

Door Pre-Assembly



Remove protective wrapping and separate door windows (R).

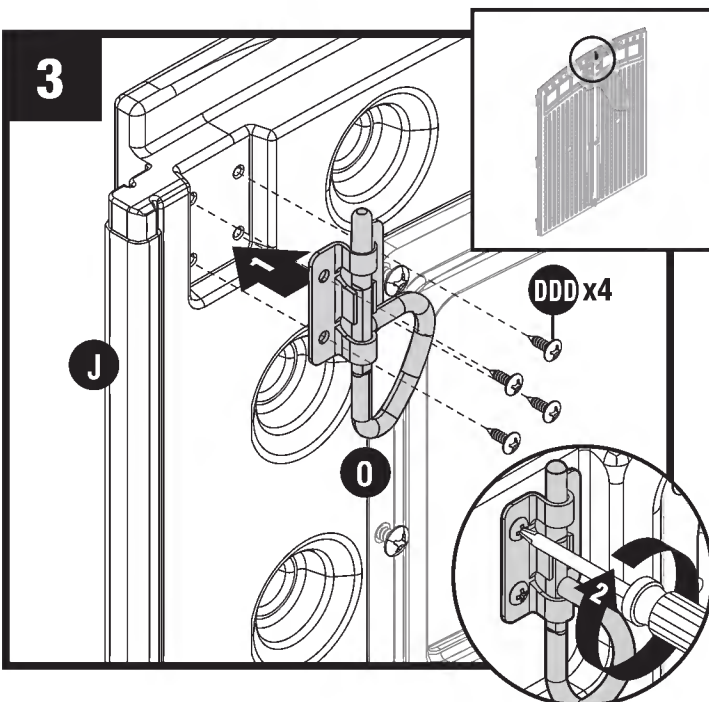
Separate the two window gaskets (P) and peel off backing.



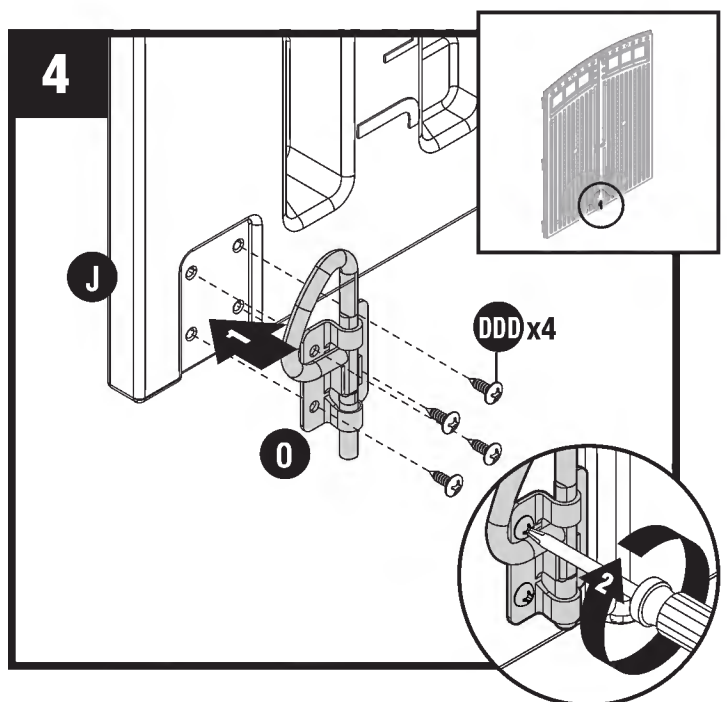
Place gasket (P) and left door window (R) into left door (J) channel. Secure with thirteen screws (NN), starting at corners. **DO NOT** over tighten screws.

Note: The cut portion of gasket (F) **MUST** be assembled on top of door channel.

Repeat for right door (K) and right door window (R).

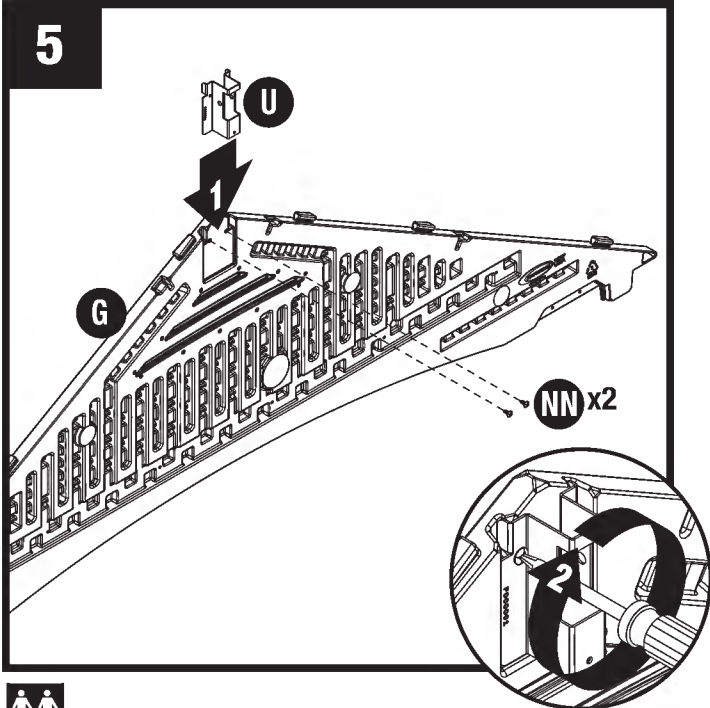


At top interior side of left door (J), attach D-ring slide bolt (O) with four screws (DDD) through provided holes.

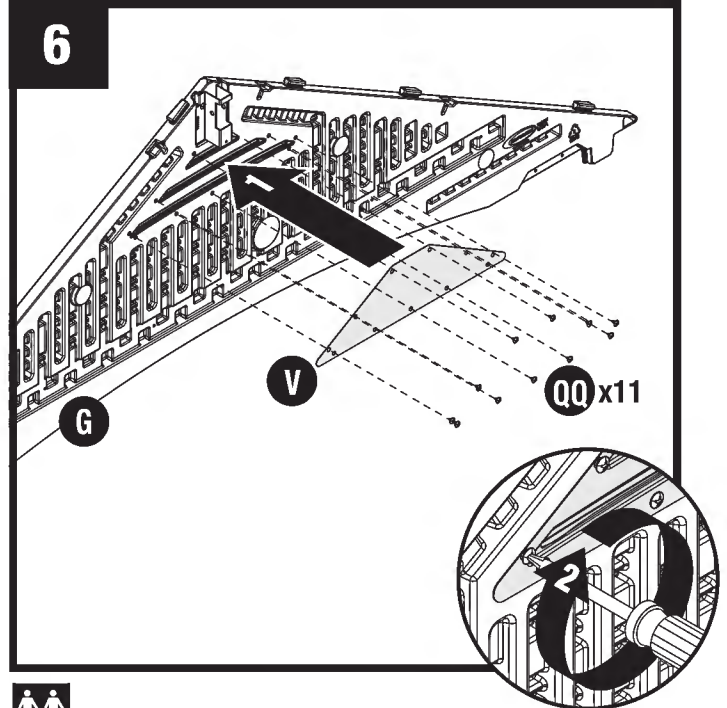


At bottom interior side of left door (J), attach D-ring slide bolt (O) with four screws (DDD) through provided holes.

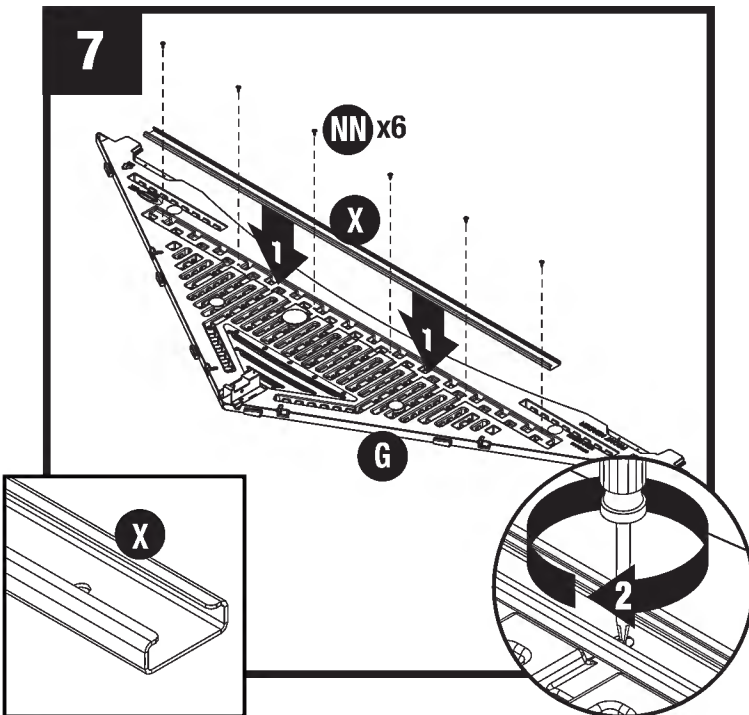
Header Pre-Assembly



Slide roof ridge beam bracket (U) under tabs on inside peak of front header (G) and secure with two screws (NN). **DO NOT** over tighten screws.



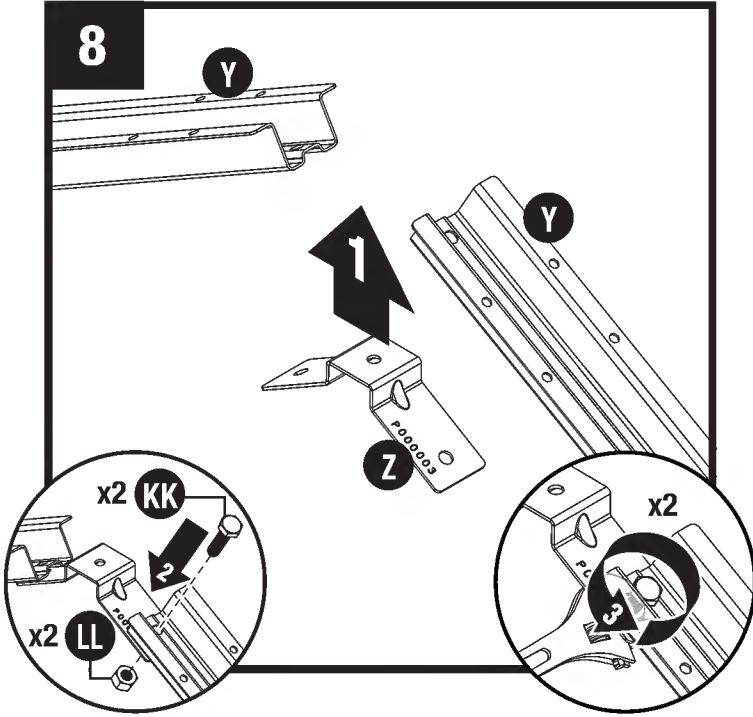
Place vent screen (V) in front header (G). Secure through back of header with 11 screws (QQ). **DO NOT** over tighten screws.
Repeat for rear header (H).



Lay front header (G) on ground with lettering side facing up. Place front header beam (X, 57") into pocket on inside of front header (G). Attach with six screws (NN). **DO NOT** over tighten screws.

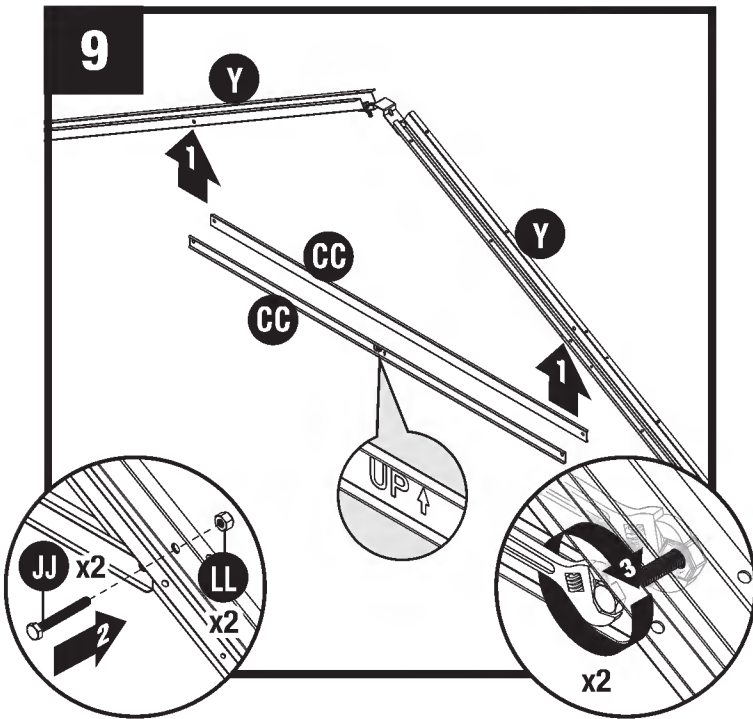
Repeat for rear header (H) and rear header beam (EEE, 62").

Roof and Truss Pre-Assembly

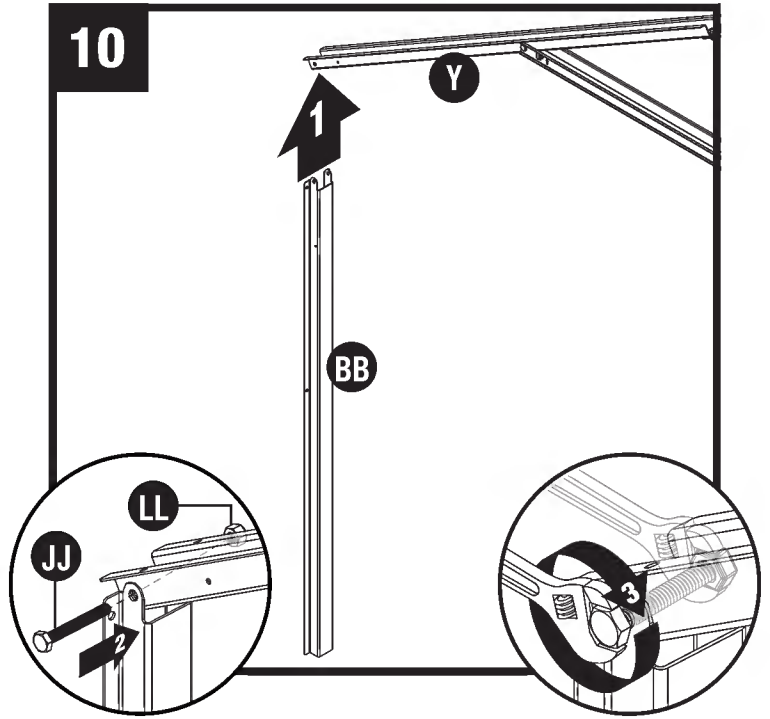


Attach truss bracket (Z) to end of one truss leg (Y) with 1" hex bolt (KK) and locking nut (LL).

Repeat for second truss leg (Y).



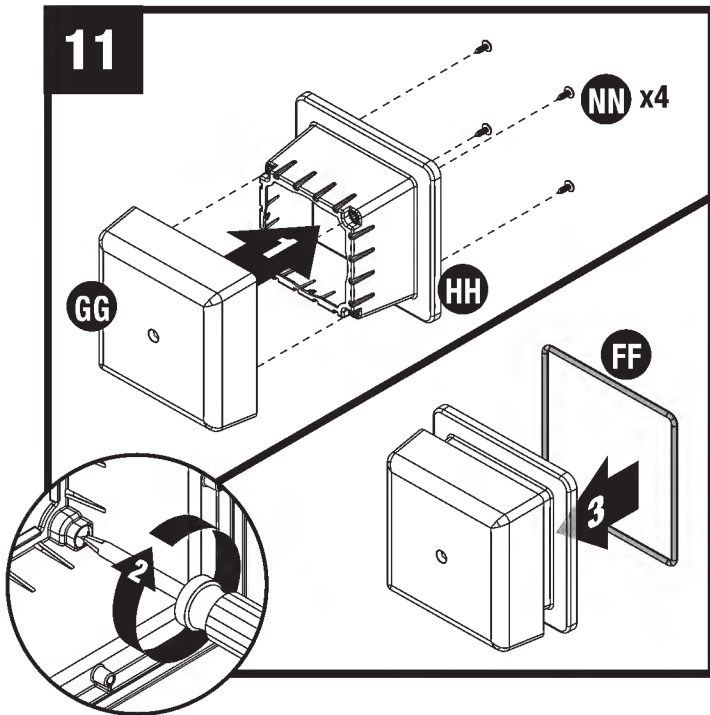
Attach two truss cross beams (CC) to two truss legs (Y) using two hex bolts (JJ) and two locking nuts (LL). Stand truss and check cross beam is level.



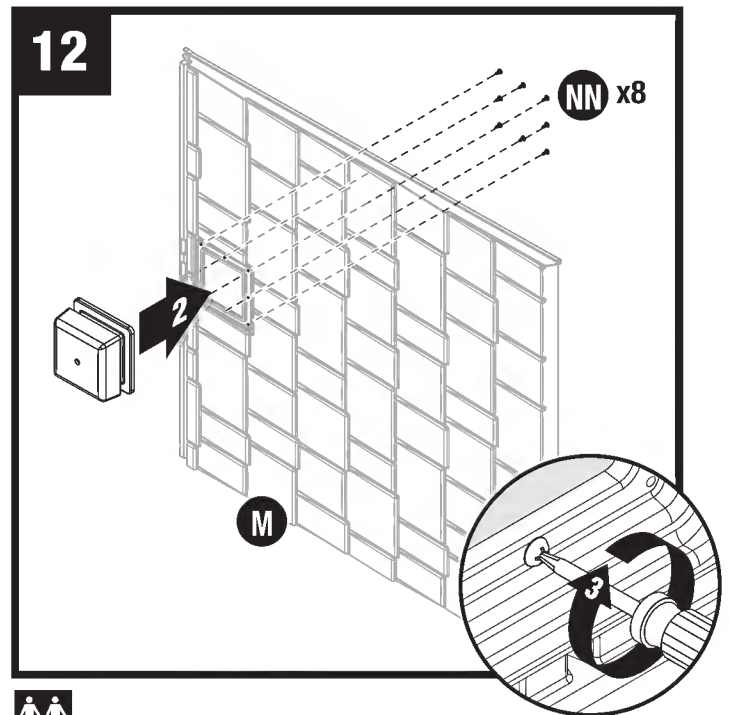
Place side adaptor bracket (BB) at end of left truss leg (Y). Secure adaptor bracket with one 2" hex bolt (JJ) and one locking nut (LL). Repeat for other truss leg.

Note: DO NOT over tighten side adaptor bracket (BB) onto end of truss legs (Y). This makes roof assembly difficult.

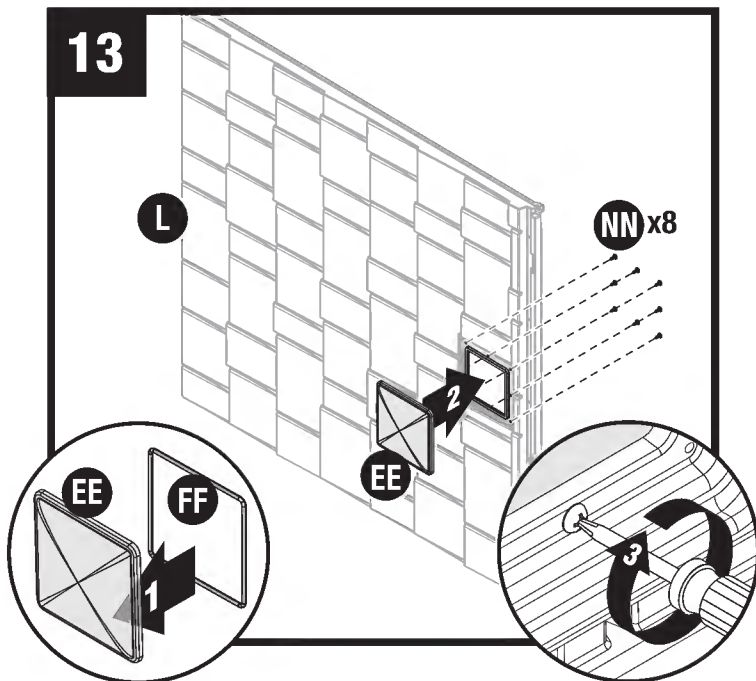
Skylight and Wall Pre-Assembly



Place Illumivent™ cover (GG) onto bottom (HH). Secure from underside with four screws (NN). Place gasket (FF) into Illumivent™ bottom (HH).



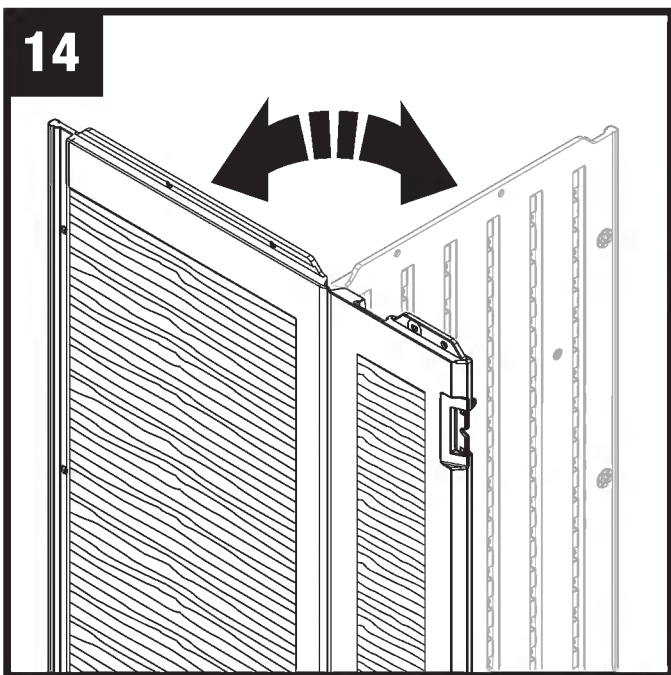
Place Illumivent™ assembly (GG, HH, FF) onto right roof panel (M). Secure from underside with eight screws (NN). Screw corners in first. Make sure rib on plastic parts is seated fully against gasket on Illumivent™ Repeat for remaining right roof panel.



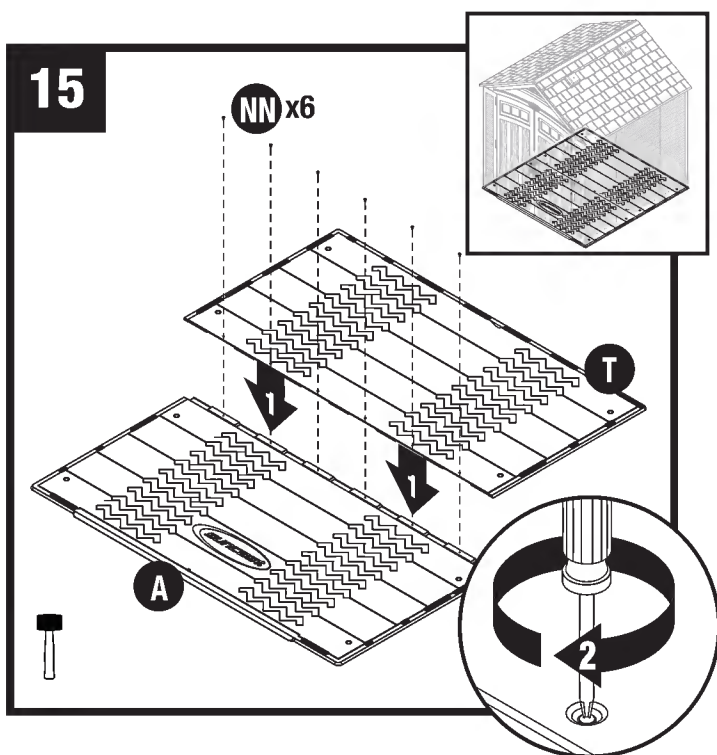
Place skylight gasket (FF) into skylight (EE). Place skylight (EE) onto left roof panel (L). Secure from underside with eight screws (NN). Screw corners in first. Make sure rib on plastic parts is seated fully against gasket on skylight. Repeat for remaining left roof panel.

Shed Assembly/Walls

14



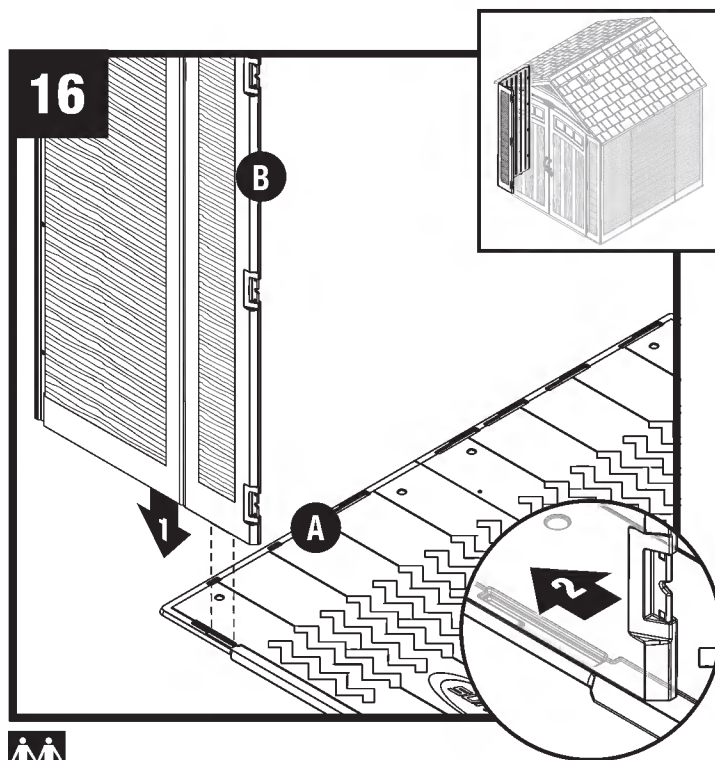
15



Push front floor (A) and rear floor (T) panels together and secure with six screws (NN).

Note: Refer to pages 11 and 12 for information about how to secure floors to foundation.

16

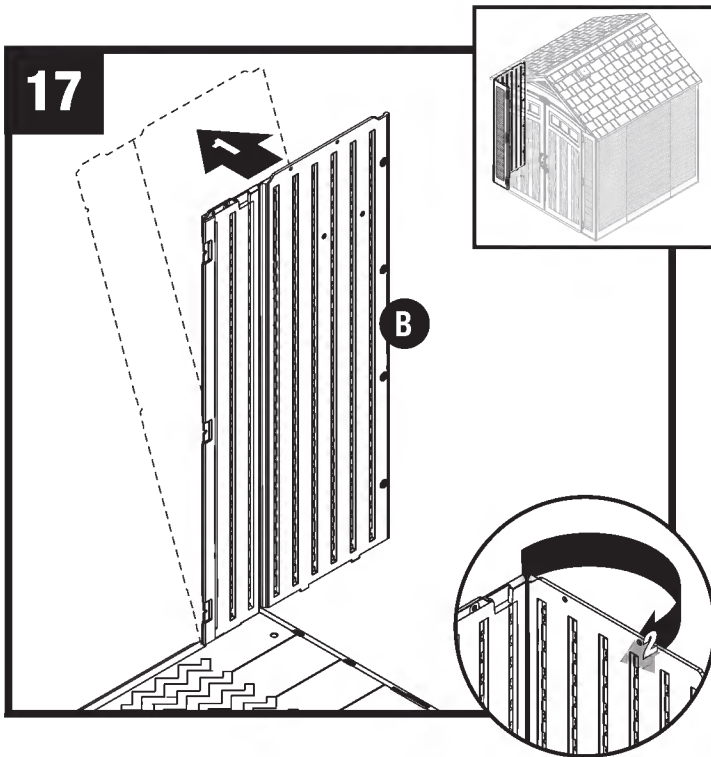


Align tab on bottom right side of left front corner (B) with slot on front floor (A). Lower panel into slot and lock in place by sliding panel toward outside of floor.

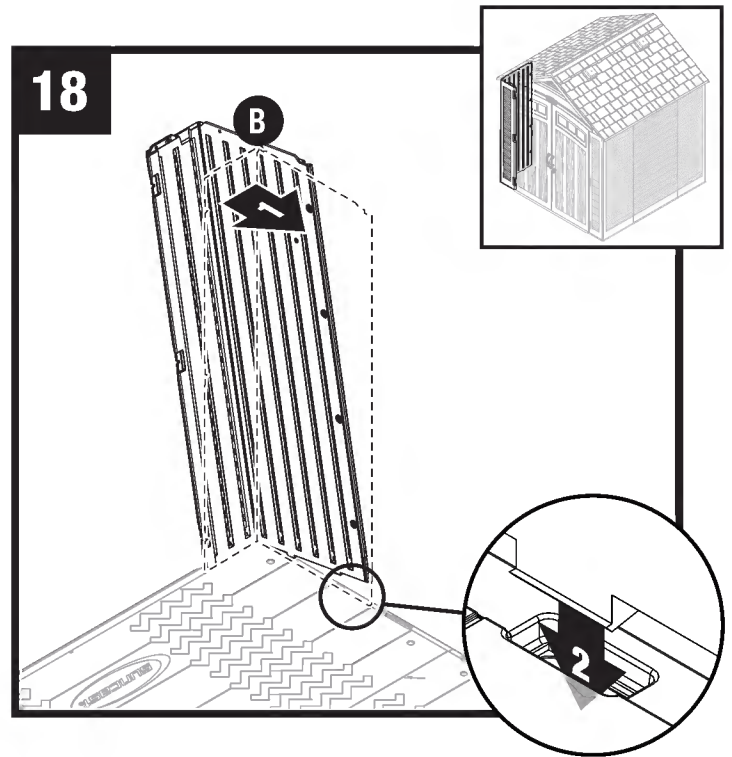


Note: Use a rubber mallet to “push” left front corner (B) into locked position.

Shed Assembly/Walls (continued)

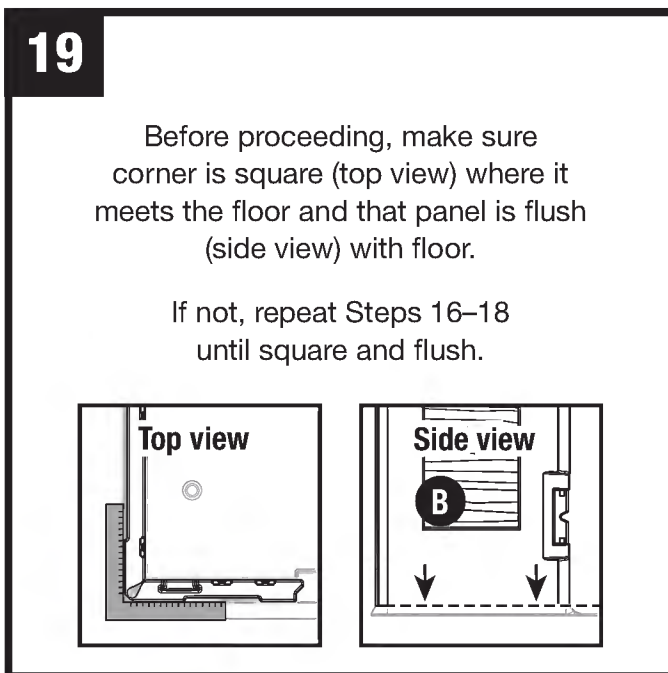


Tip left front corner (B) outward slightly and bend corner hinge.

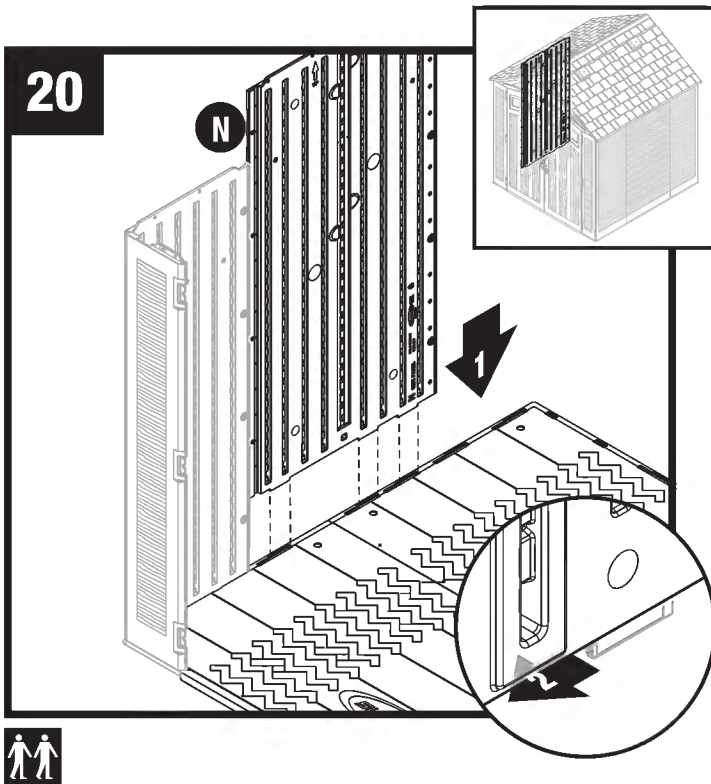


Tip left front corner (B) back to vertical position and align lower tabs on right side with slots in floor.


Note: You will hear a snap when tab is fully engaged.

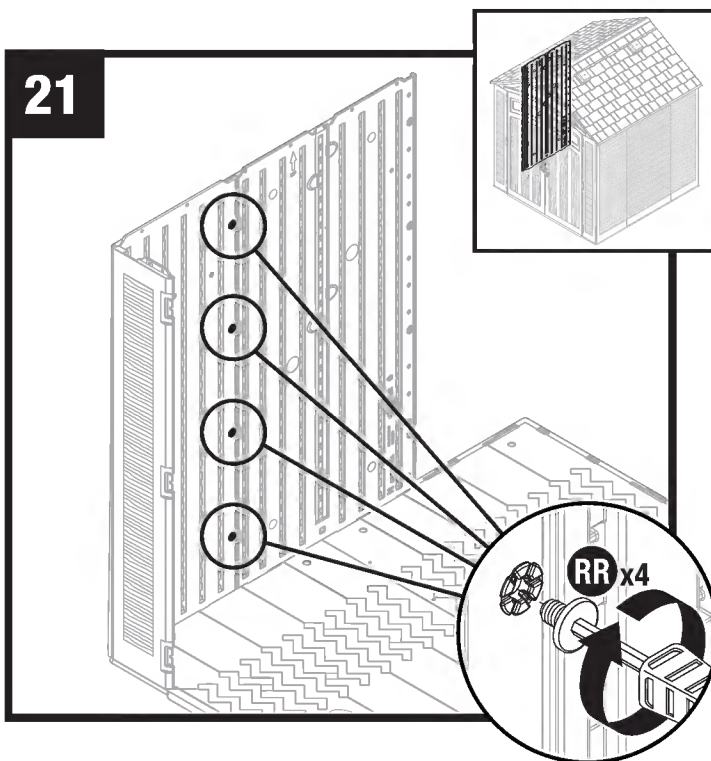


Shed Assembly/Walls (continued)



Align tabs on bottom of side panel (N) with slots along front and rear floors. Lower panel into slots and lock in place by sliding panel toward front corner.

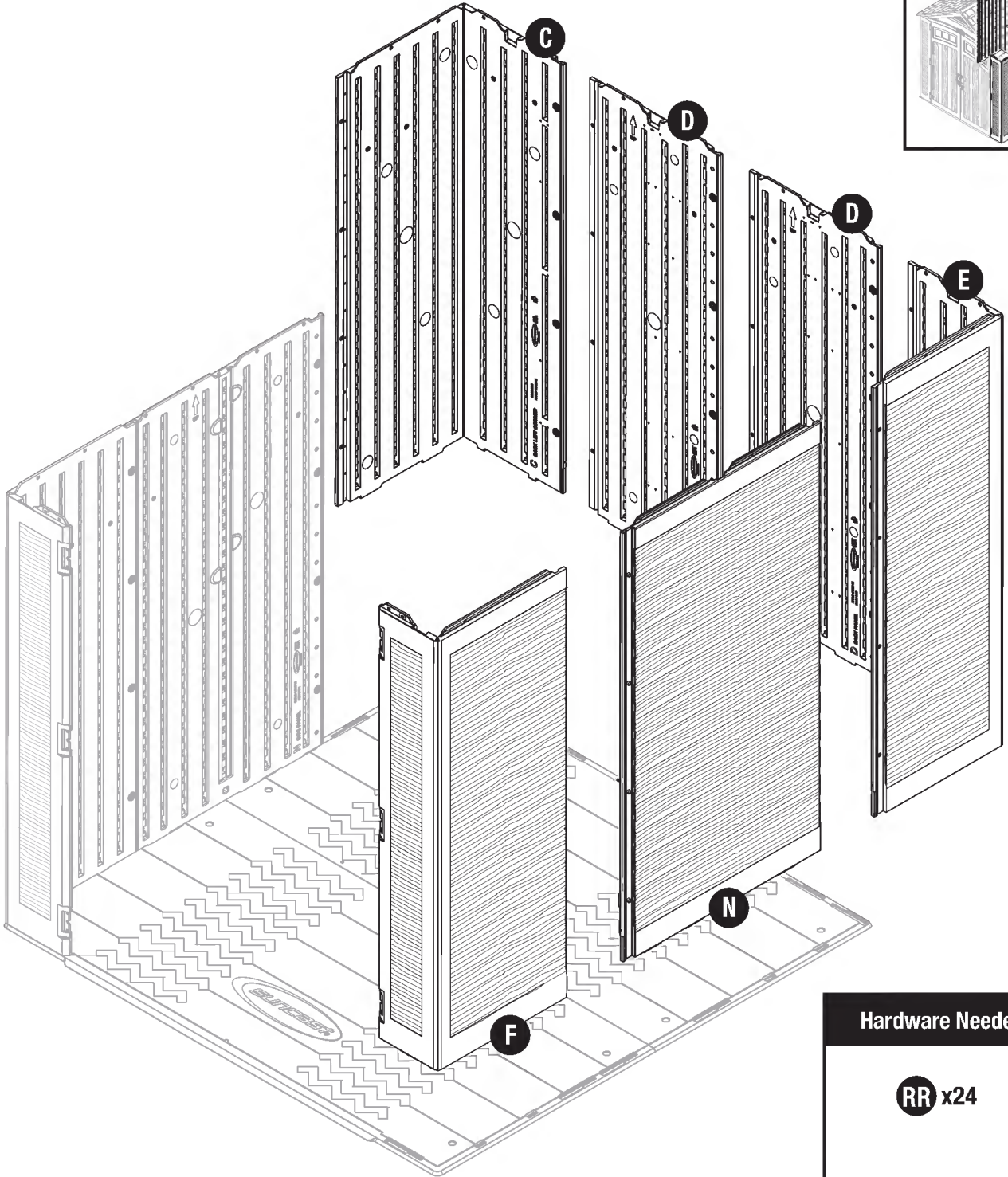
 **Note:** Use a rubber mallet to “push” side panel (N) into locked position.



Secure side panel with four easy bolts (RR), working from floor to roof. **DO NOT** use torque wrench. Use easy bolt easy driver (SS) and hand tighten. Easy bolt head will be flush when fully seated. **DO NOT** over tighten easy bolts.

Note: You may hear a click when easy bolt has been tightened completely.

22



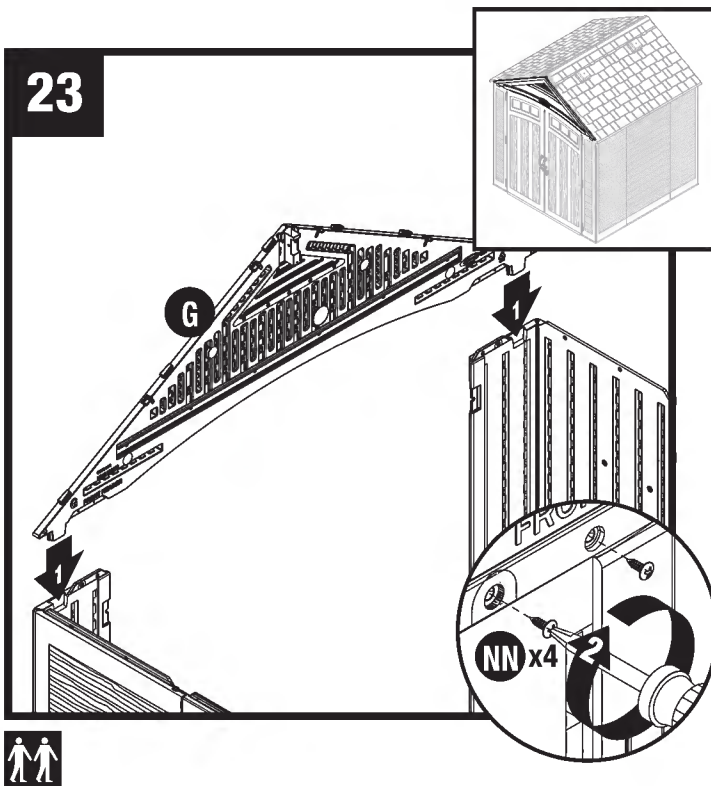
Hardware Needed

RR x24

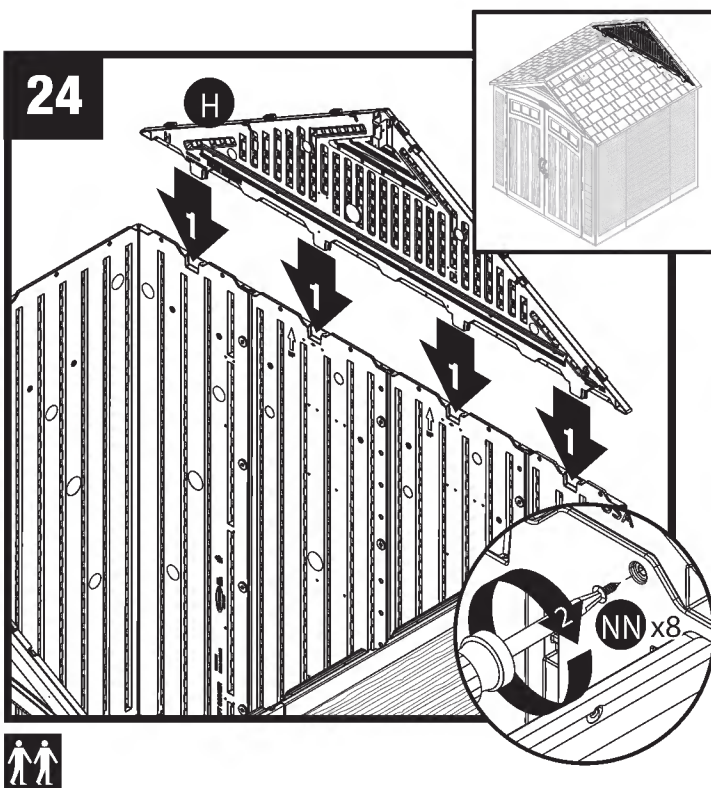


Repeat Steps 16-21 for remaining panels.

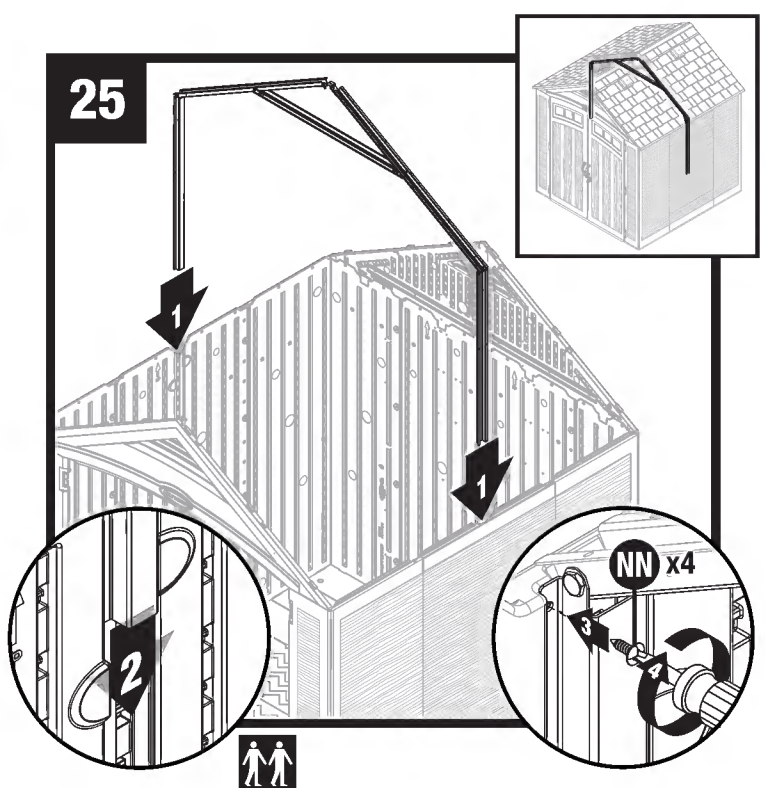
Shed Assembly/Headers and Truss



Place front header (G) over door opening and fit two protruding support legs into pockets molded in front corners. Secure front header using two screws (NN) in each front corner.

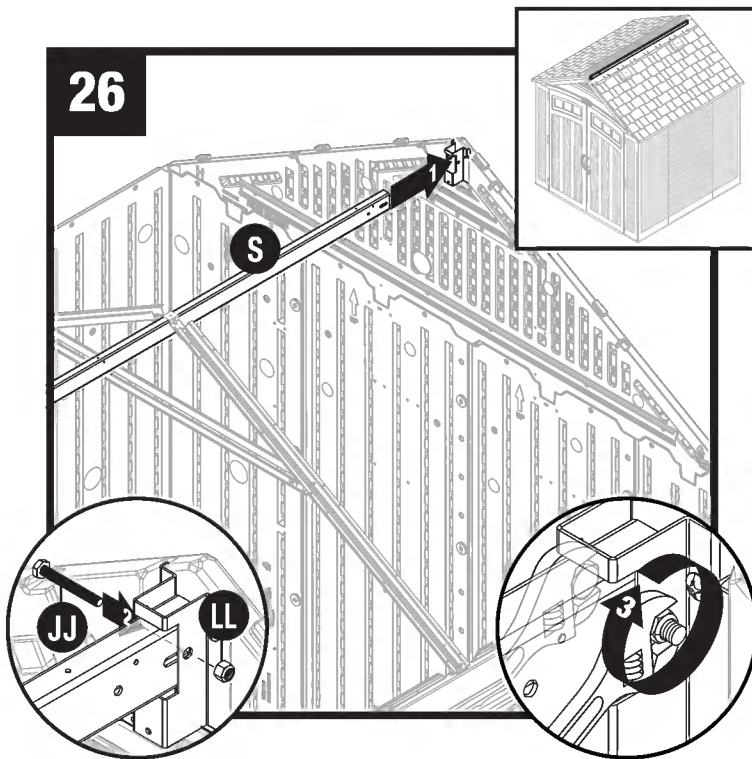


Place rear header (H) over back walls and fit four protruding support legs into pockets molded in back walls. Secure rear header using eight screws (NN).



Slide truss assembly into place. Secure with four screws (NN) in each side adaptor bracket.

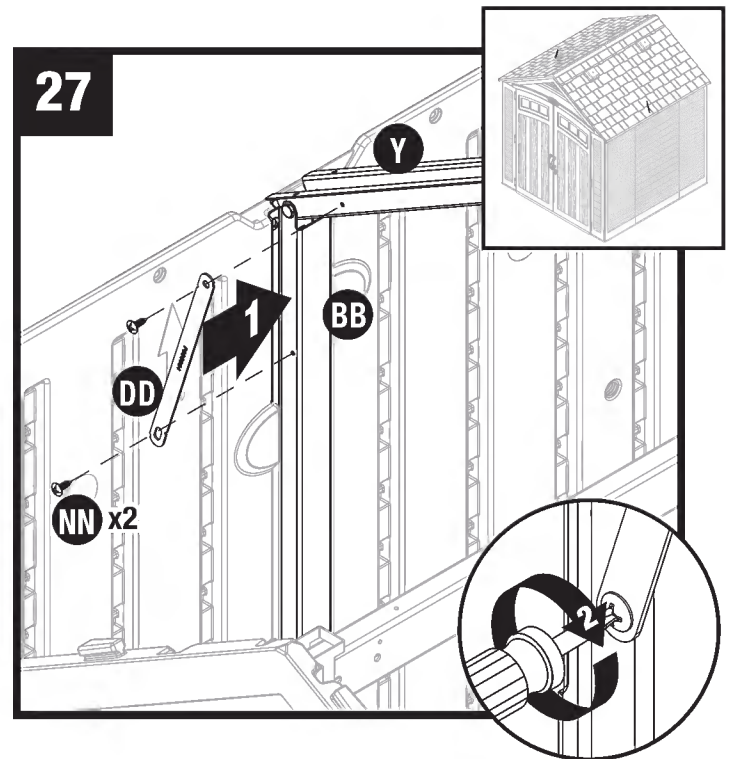
Shed Assembly/Headers and Truss (continued)



Raise ridge beam (S) up and into rear roof ridge beam bracket. Secure with one 2" hex bolt (JJ) and one locking nut (LL). Repeat with front ridge beam bracket.

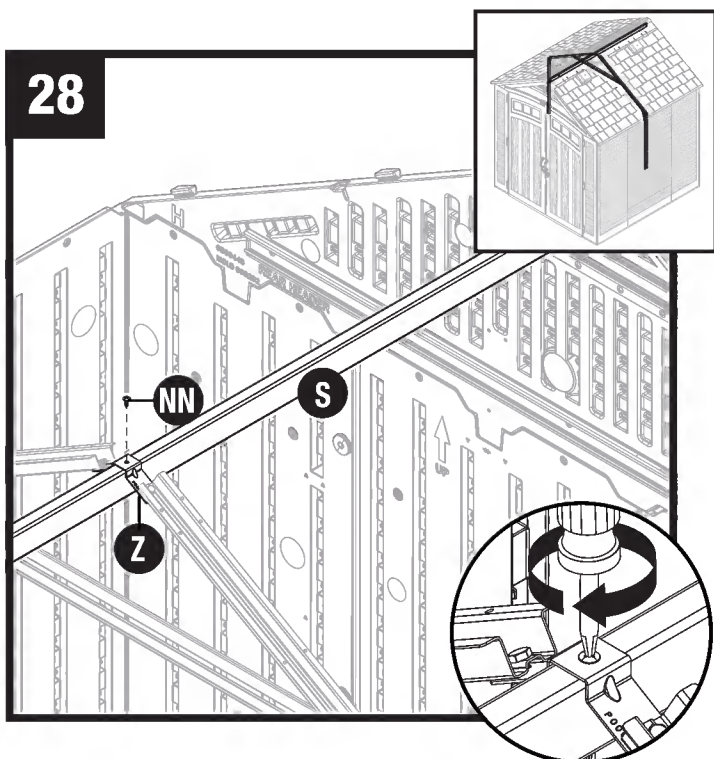
Note: Make sure open end of ridge beam faces down.

Note: Alignment of ridge beam to bracket may require header panels to be pushed inwards or outwards slightly as ridge beam is slid into place.



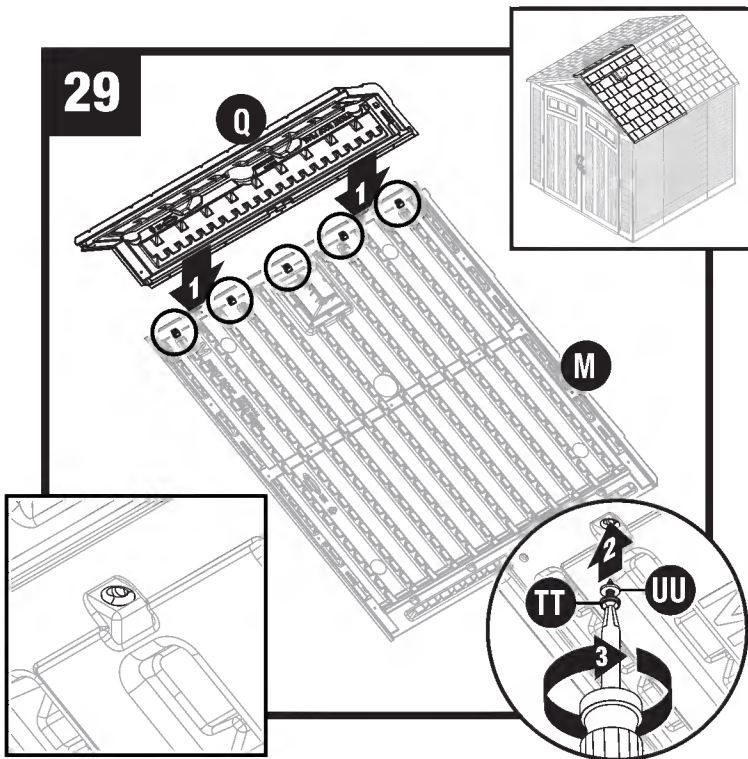
Attach truss strap (DD) to side adaptor bracket (BB) and truss leg (Y) with two screws (NN).

Repeat for remaining truss strap.



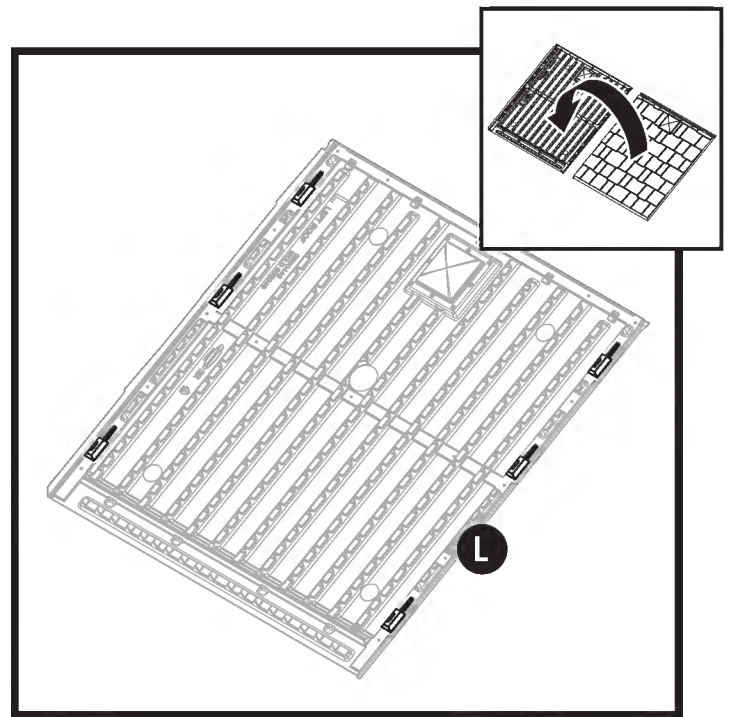
Attach truss bracket (Z) to ridge beam (S) with one screw NN.

Shed Assembly/Roof

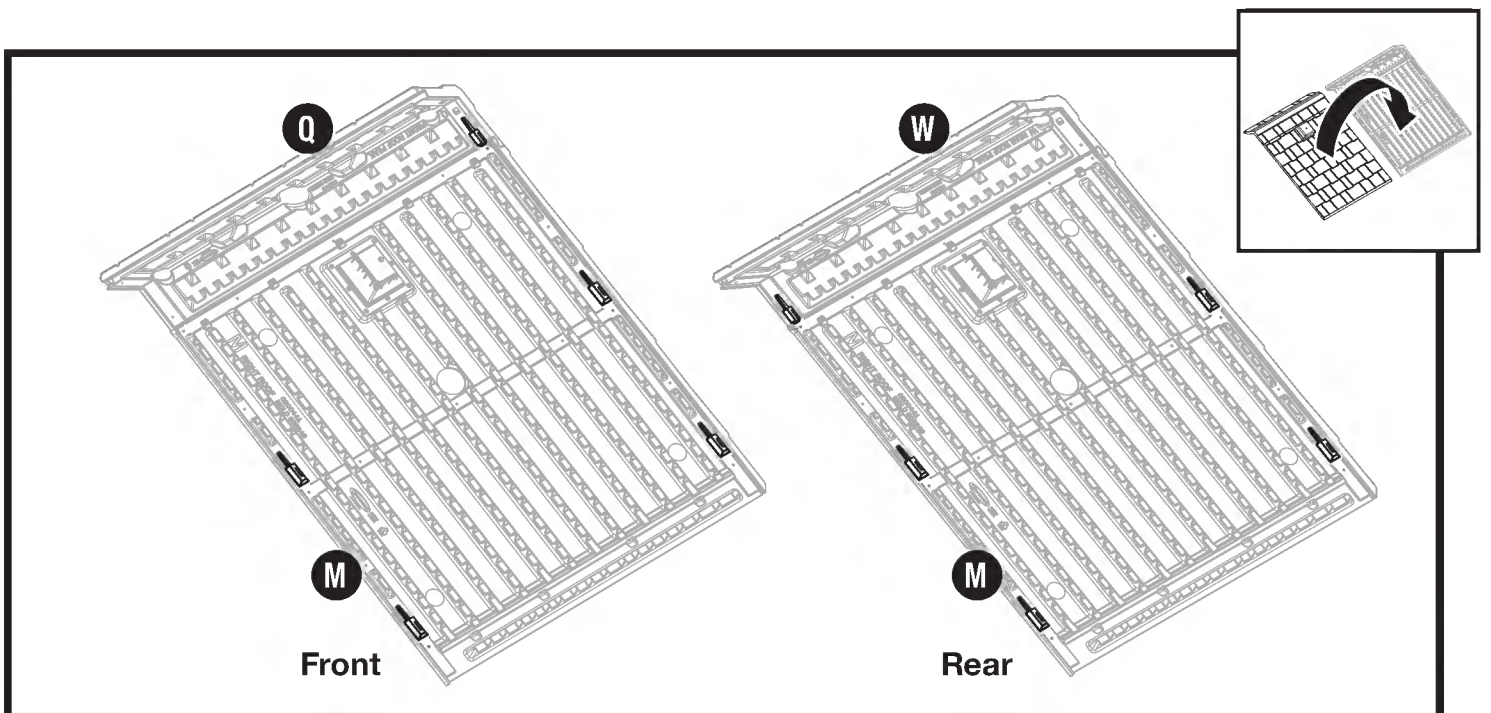


Place the front roof peak (Q) onto a right roof panel (M). Secure with five rubber washers (UU) and five sealing screws (TT). Repeat for rear roof peak (W) and remaining right roof panel (M).

Note: Rubber side of washer should be against plastic panel.

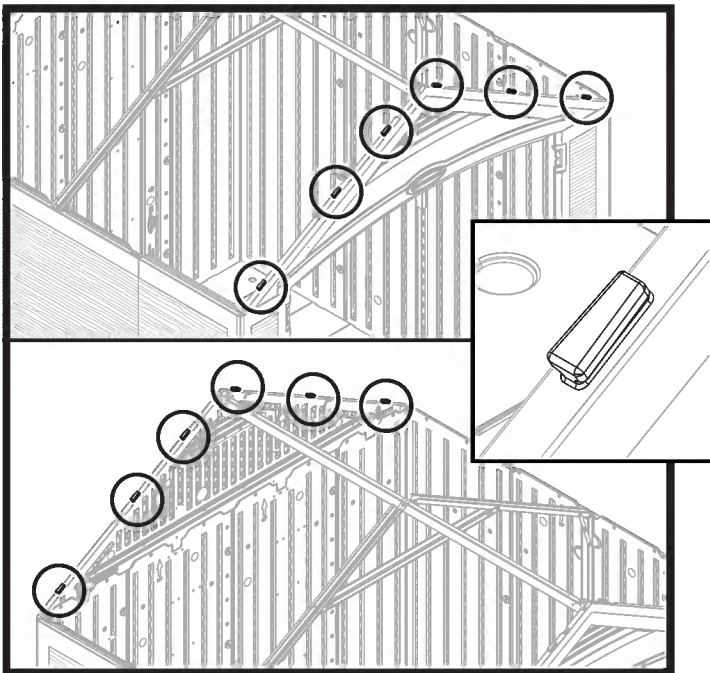


Before proceeding, locate and identify the six slots on interior side of left roof panels (L).

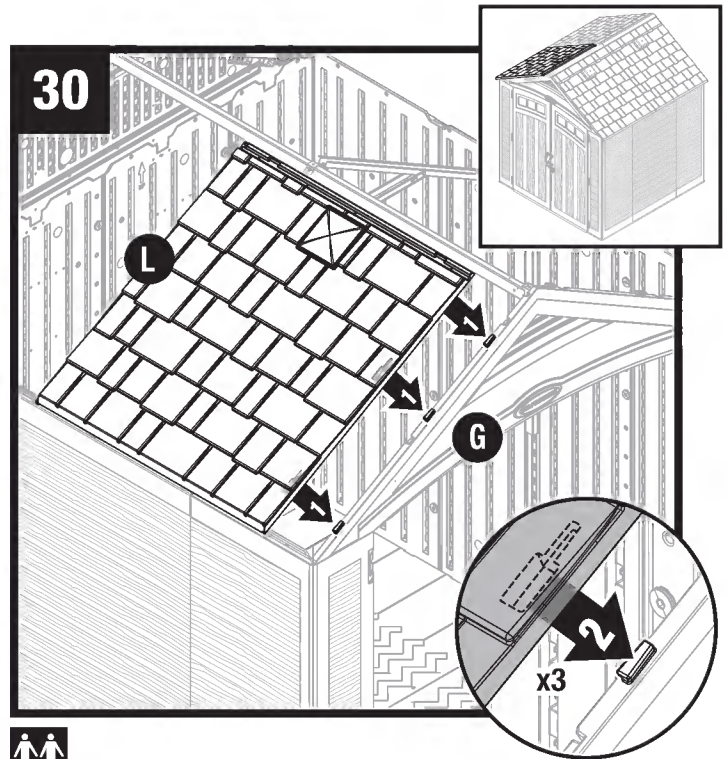


Before proceeding, locate and identify the five slots on interior side of right front (M,Q) and right rear (M,W) roof panel assemblies.

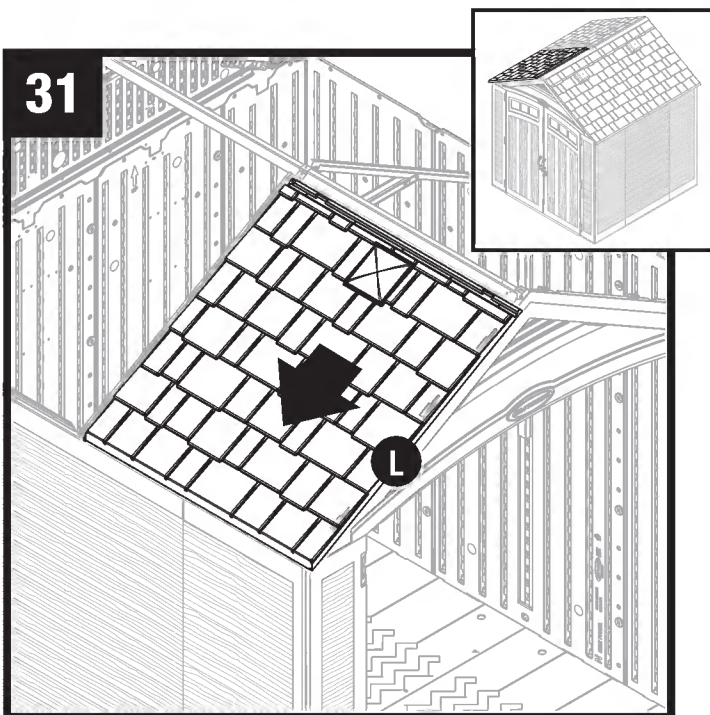
Shed Assembly/Roof (continued)



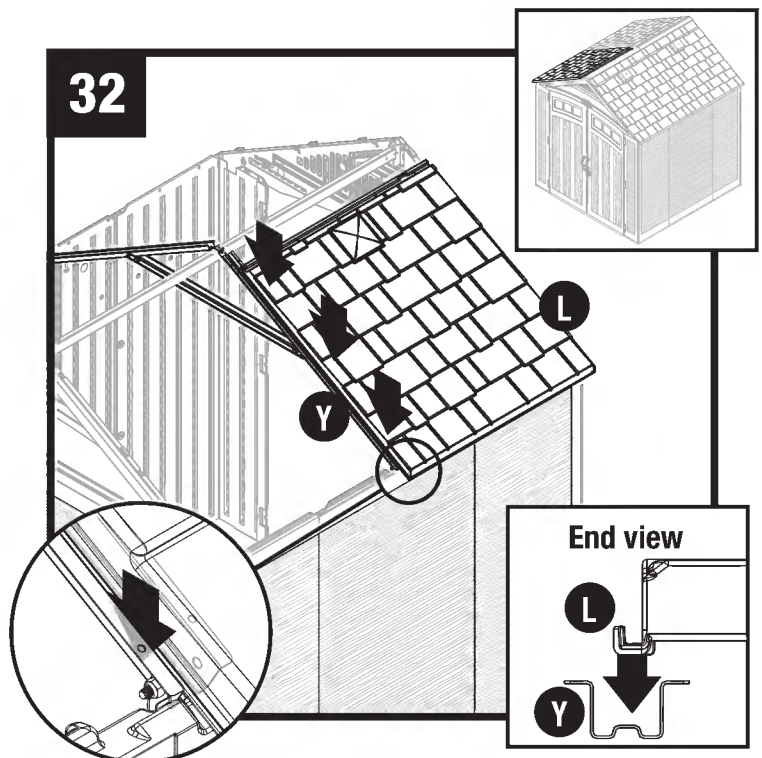
Before proceeding, locate and identify six front header tabs and six rear header tabs.



Lay left roof (L) directly over three tabs on left side of front header (G). With left roof slots seated over/on header tabs, check alignment in all three spots.

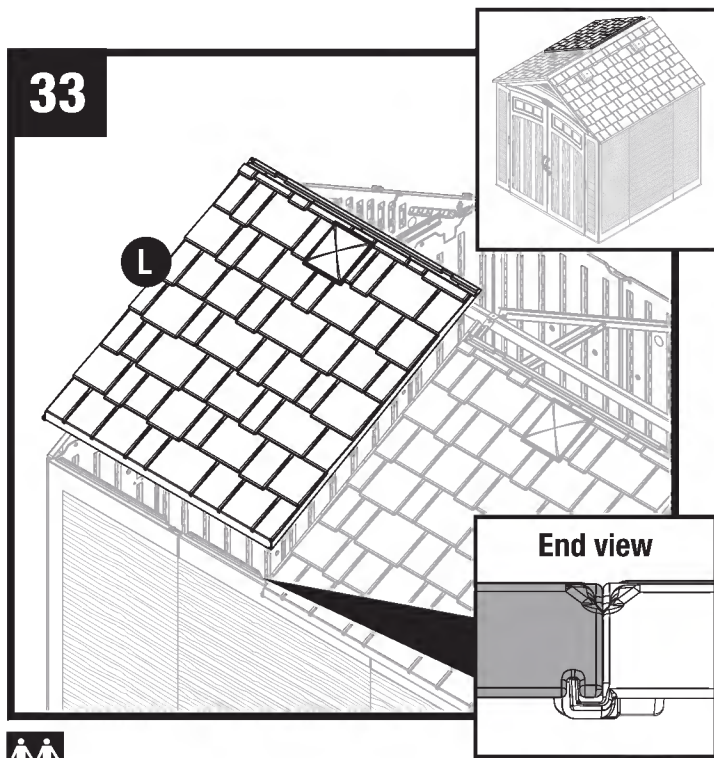


Slide left roof (L) down towards the outside of shed.

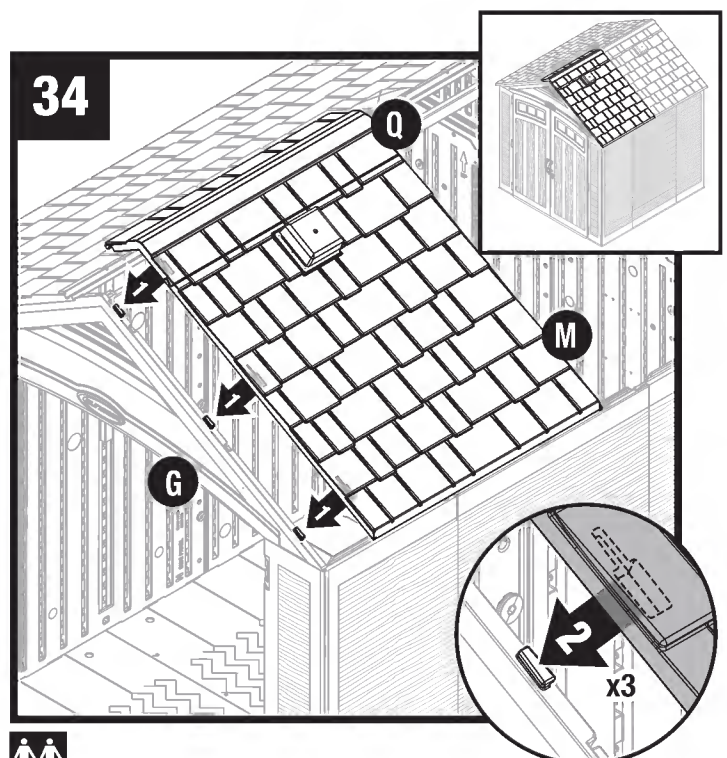


Press edge of left roof (L) into channel on truss leg (Y).

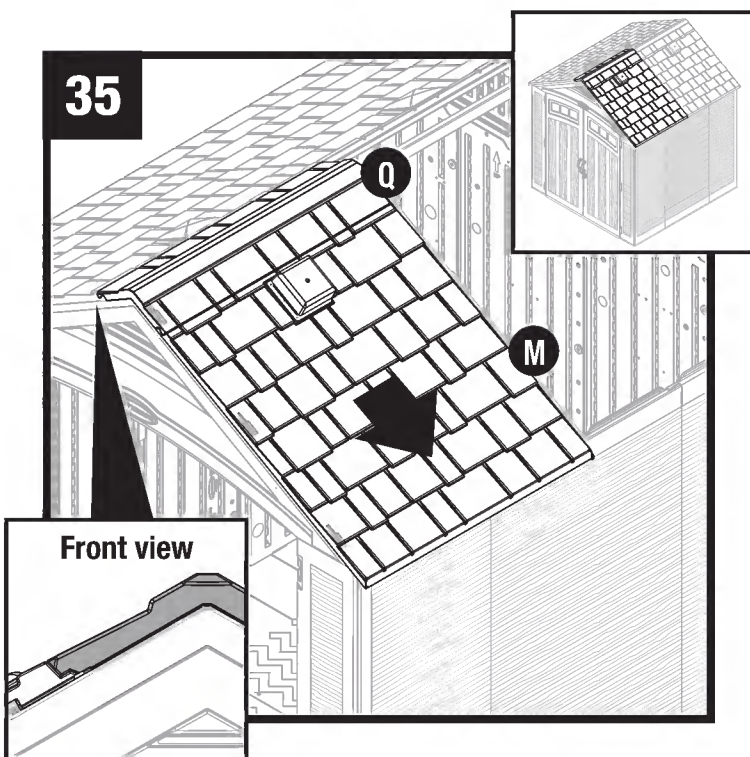
Shed Assembly/Roof (continued)



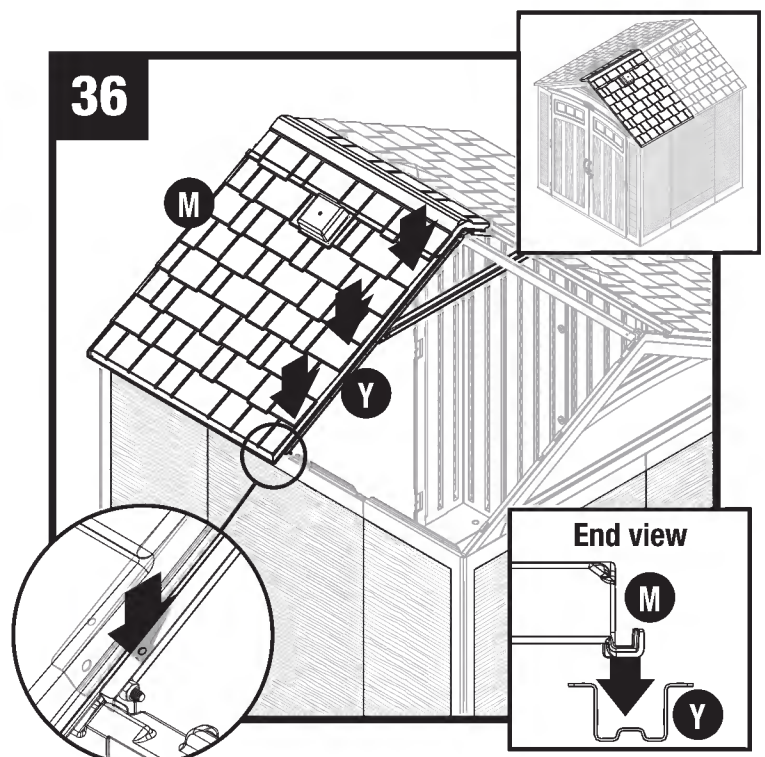
Repeat steps 30-32 for remaining left roof panel (L).



Lay right roof (M) with front roof peak (Q) directly over three tabs on right side of front header (G). With right roof slots seated over/on header tabs, check alignment in all three spots.

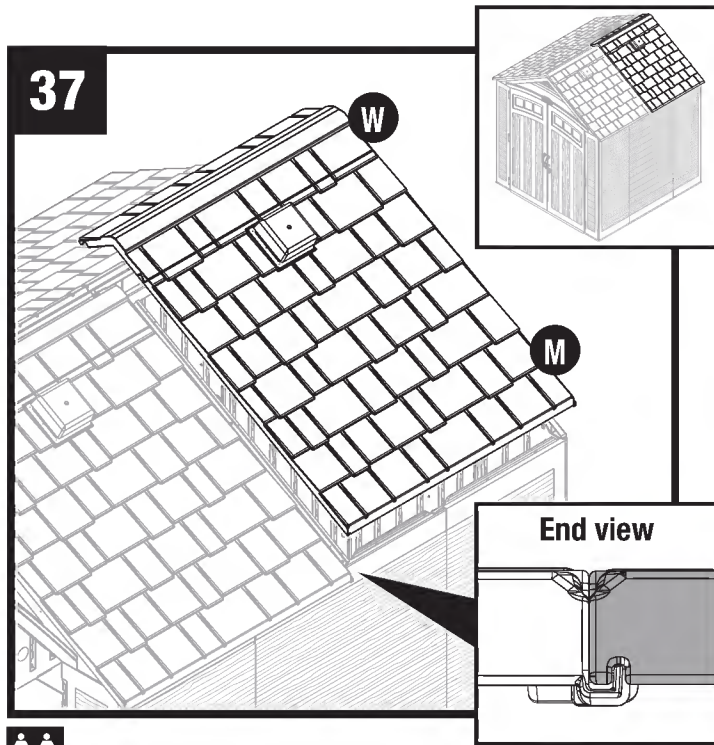


Slide right roof (M) with front roof peak (Q) down towards the outside of shed.

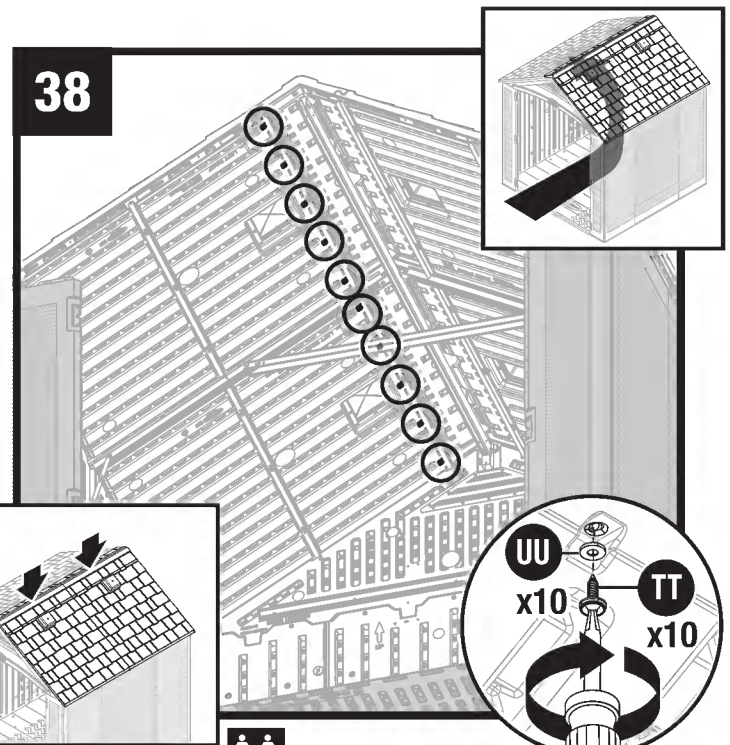


Press edge of right roof (M) into channel on truss leg (Y).

Shed Assembly/Roof (continued)

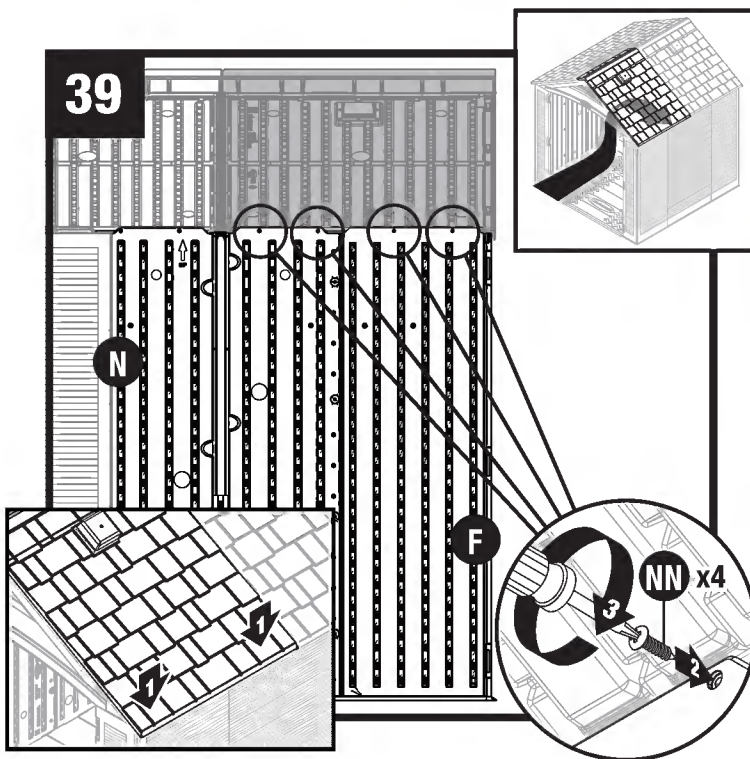


Repeat steps 34-36 for remaining right roof panel (M) and rear roof peak (W).

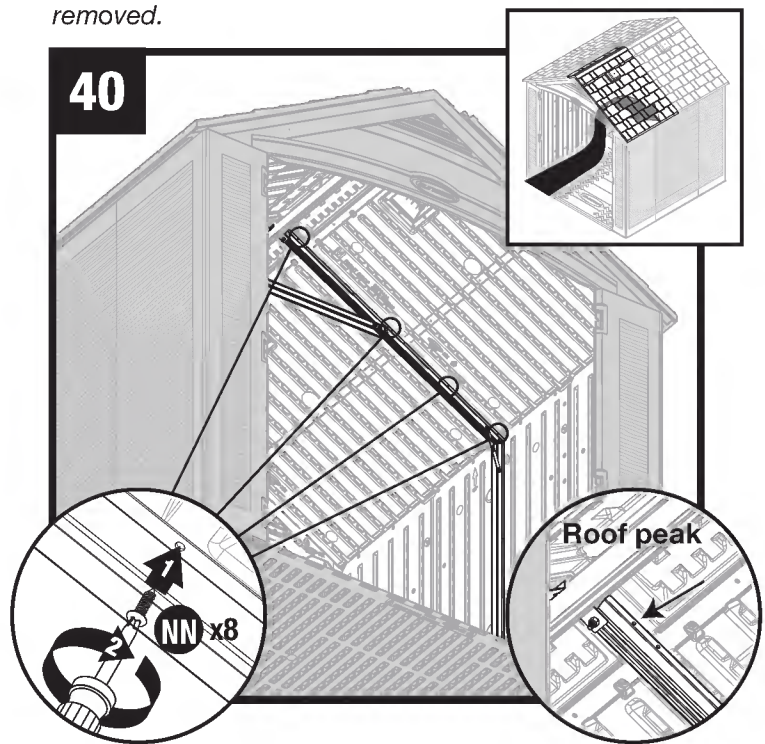


Push down the right roof panels with roof peaks from outside. From inside shed, secure roof peaks to left roof panels together using 10 rubber sealing washers (UU) and 10 sealing screws (TT).

Note: For clarity, illustration is shown with front header removed.

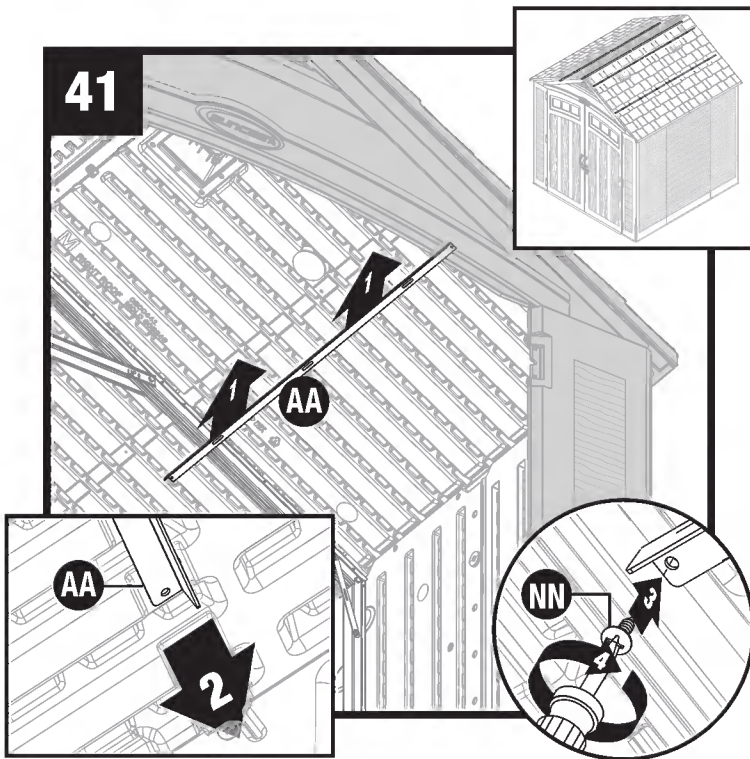


Pull down each lower corner of roof from outside. From inside shed, attach tabs on right front corner (F) and side panel (N) to roof panel with four screws (NN).

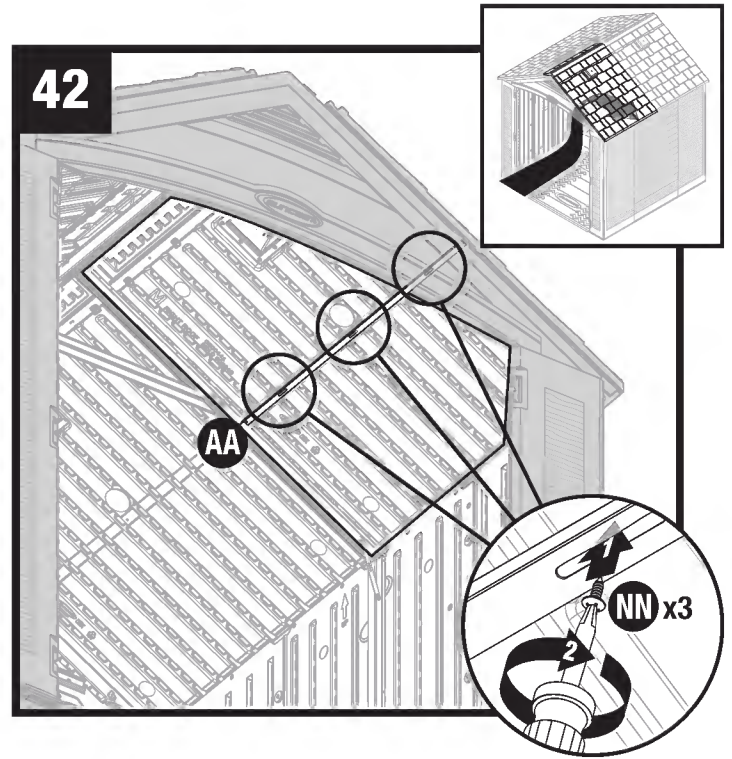


Secure roof to **both** sides of roof truss using eight screws (NN). Each screw will attach at a corresponding screw boss on the roof. Make sure roof peak is secured (highest screw holes on roof truss).

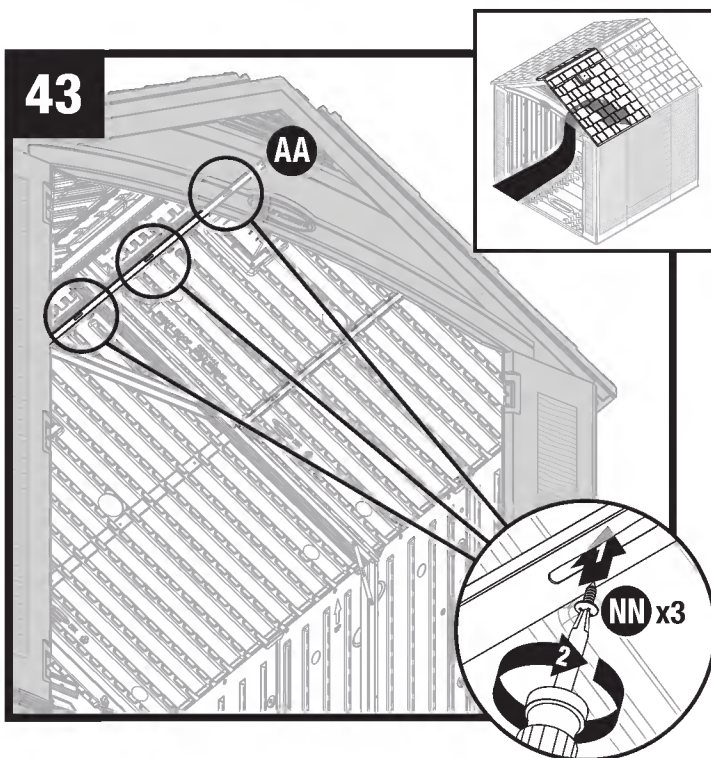
Shed Assembly/Roof (continued)



Raise roof support (AA) into position against roof. Slide roof support (AA) into front header. Secure roof support to underside of truss leg with one screw (NN).



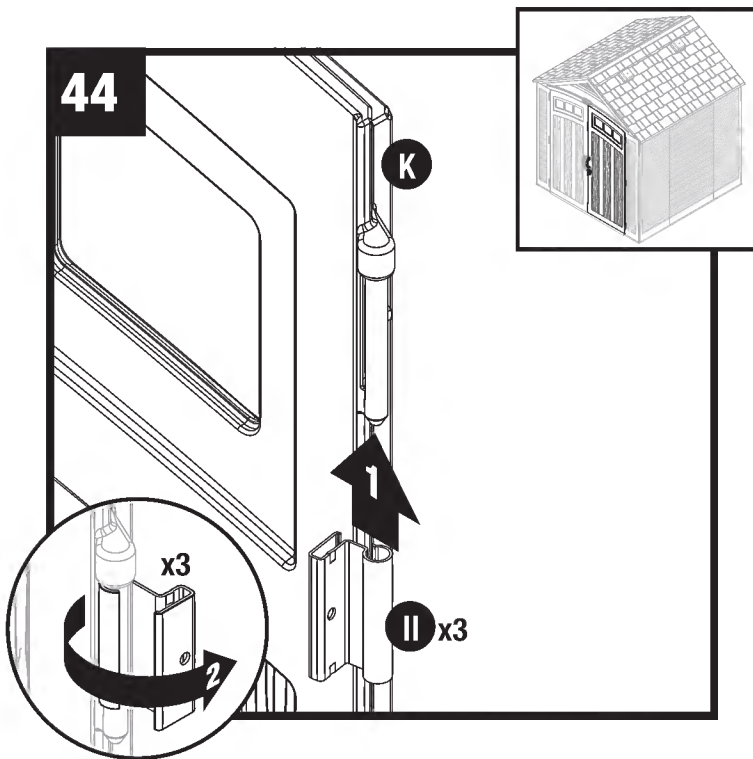
Secure roof support (AA) to roof using three screws (NN). Raise second roof support (AA) to top of roof panel. (Shown in next step)



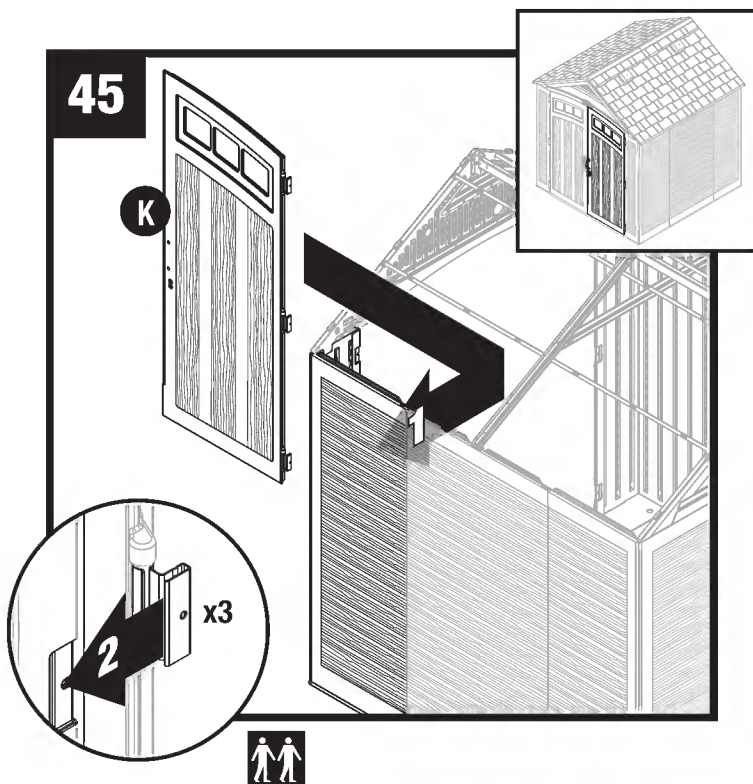
Repeat Steps 39 - 43 to secure remaining roof panels.

Repeat step 41 and 42 for top support bracket.

Shed Assembly/Doors

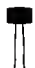


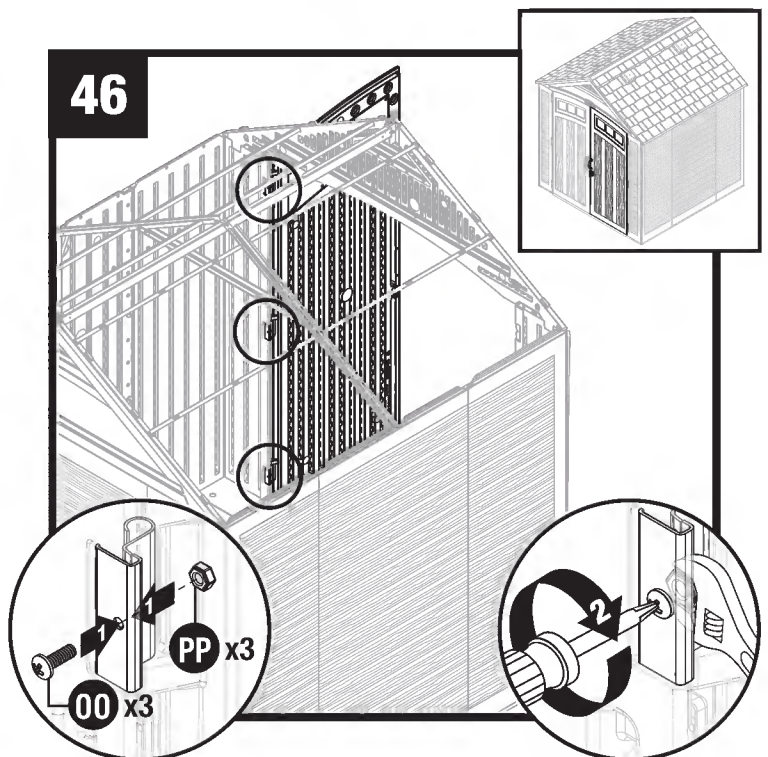
Stand right door (K) upright with three hinge mounts facing right. Slide one metal hinge plate (II) up onto each hinge mount. Rotate hinges to outside of door.



With metal hinge plates in open position, slide one hinge over each hinge receptacle on inside of right front panel.

Note: For clarity, illustration is shown with roof removed.

 **Note:** Use a rubber mallet if necessary.

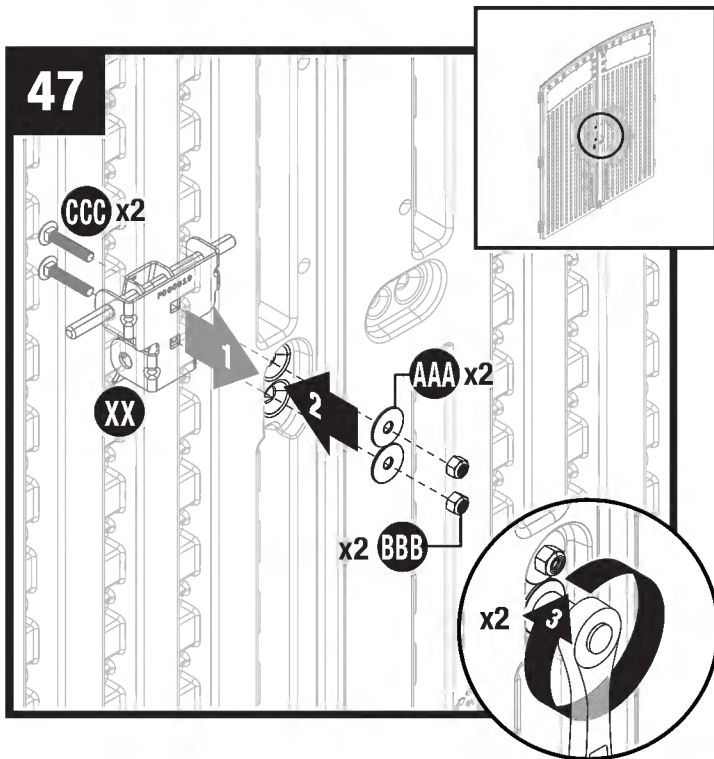


Secure each metal hinge plate with one screw (OO) and one locking nut (PP).

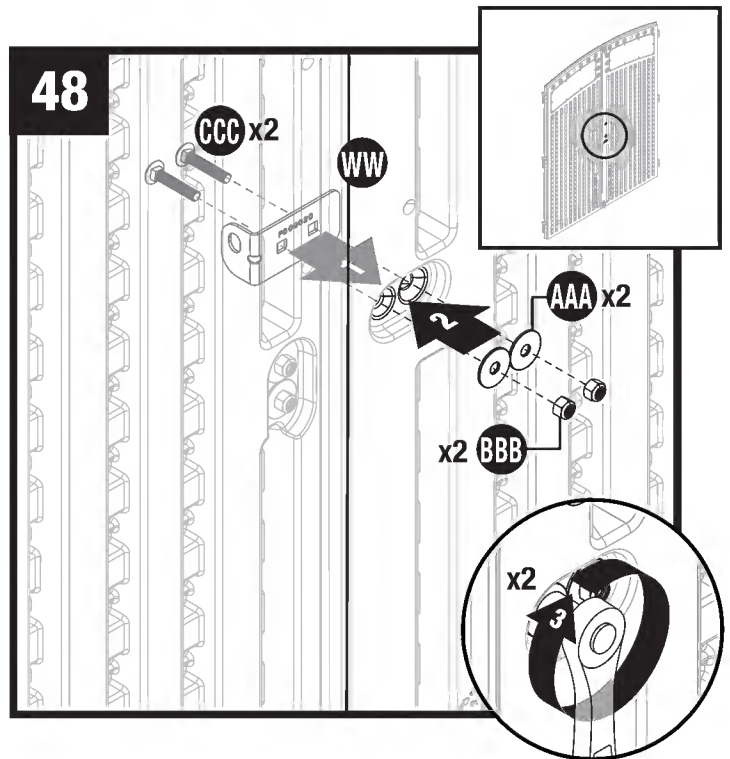
Repeat Steps 44-45 for left door (J).

Note: For clarity, illustration is shown with roof removed.

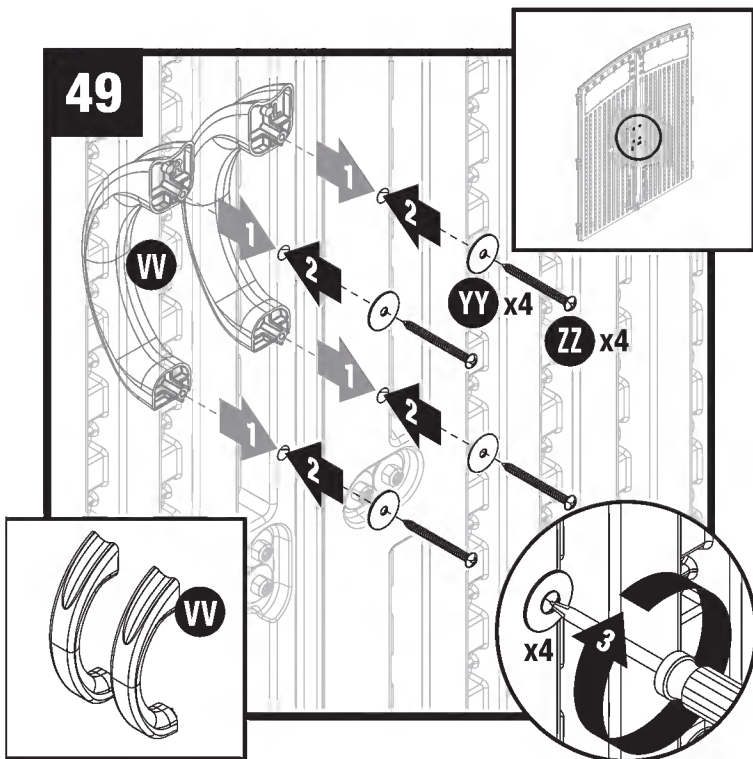
Shed Assembly/Doors (continued)



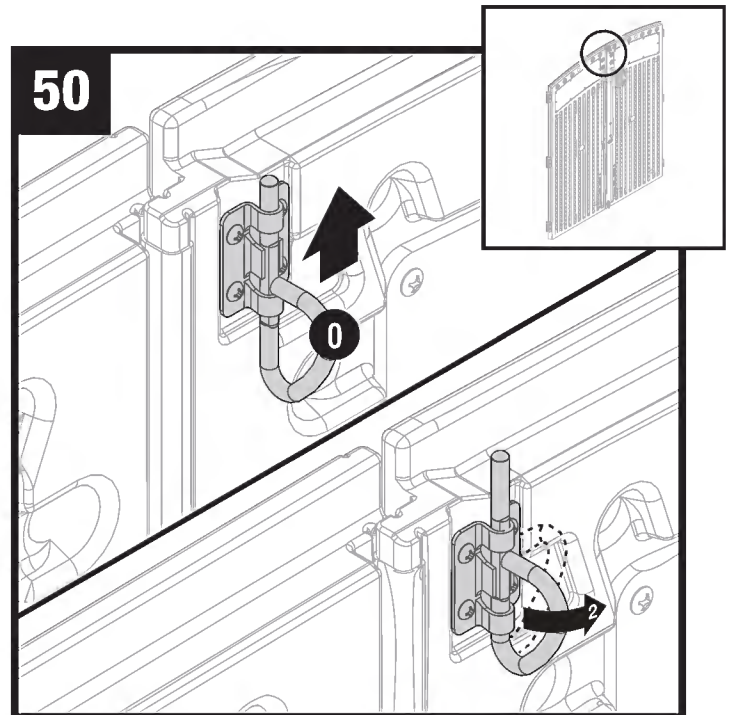
Insert two screws (CCC) into right latch plate (XX) and through right door. While holding plate in place on exterior of door, secure each screw with two washers (AAA) and two locking nuts (BBB).



Insert screws (CCC) into left latch plate (WW) and through left door. While holding plate in place on exterior of door, secure each screw with two washers (AAA) and two locking nuts (BBB).

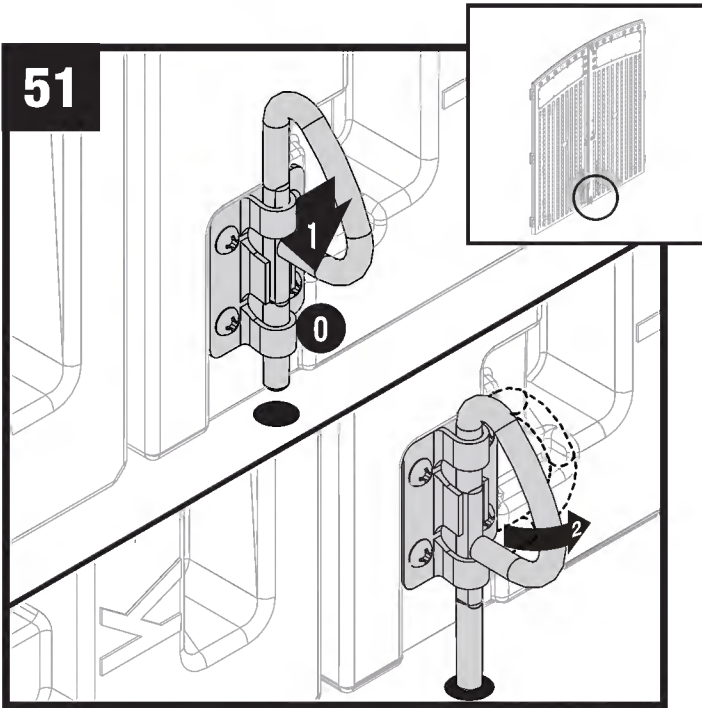


From the outside of doors, insert door handle (VV) stems into holes of left and right doors. On inside of doors, place washers (YY) on each door handle stem, and secure each with one screw (ZZ).

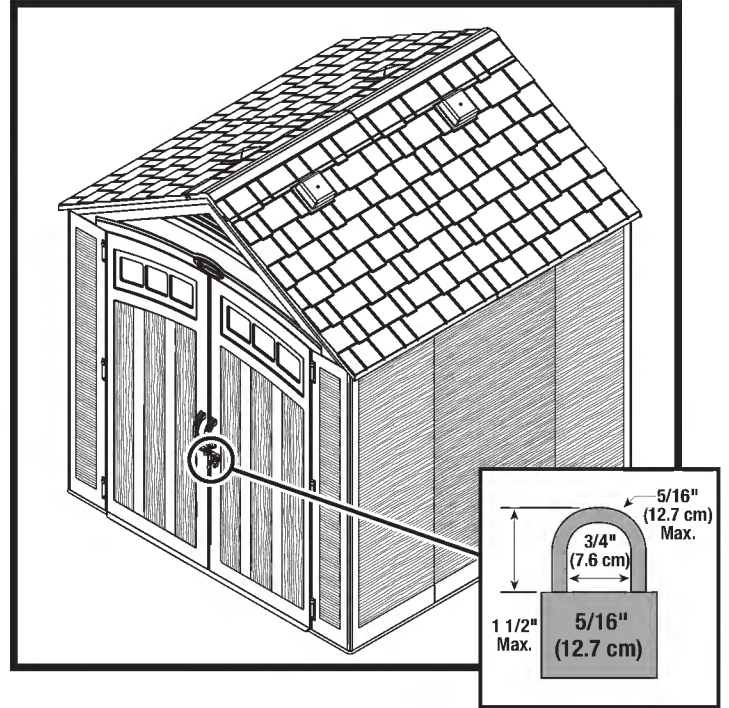


Lift upper D-ring (O) up to engage in front of header. Turn D-ring to right for locked position.

Shed Assembly/Doors (continued)



Push lower D-ring (O) down to engage with hole in floor.
Turn D-ring to right for locked position.



Attach a 5/16" lock (not provided) to door latch to properly secure shed.

