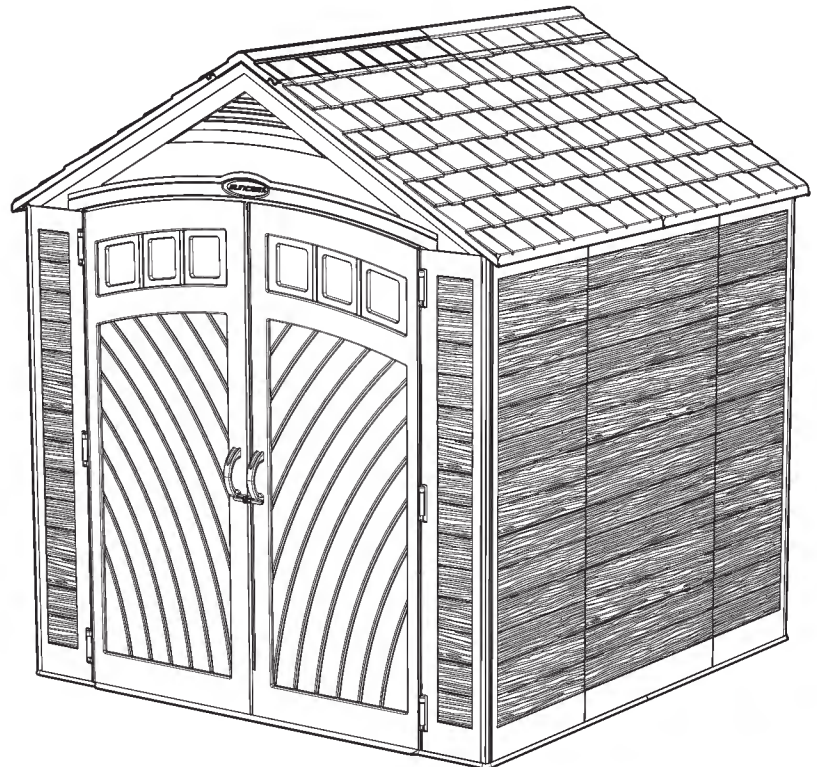
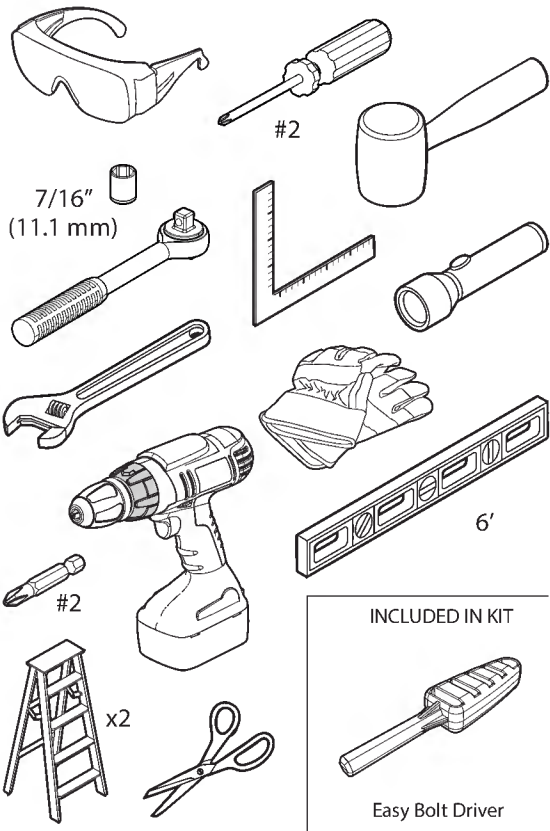


BMS7705 Vista™ Storage Shed

ASSEMBLY INSTRUCTIONS



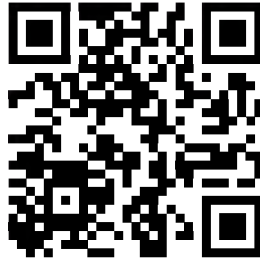
Tools Required



Smart. Inside & Out®

Register within 90 days of purchase to activate Warranty!

Registration is not required for products with a warranty term of 90 days or less.



1. Verify warranty term of your product by visiting [www/suncast.com/warranty](http://www.suncast.com/warranty) (products with a warranty term of 90 days or less do not require registration)
2. Complete registration: fill out the form and upload a copy of your receipt by visiting <https://support.suncast.com> or scanning the QR code

Have Questions?

For product questions, assembly assistance, replacement parts and more:



Before You Begin...

- **Consult your local authorities for any permits required to construct shed.**

Prior to the construction of your shed, check with the local building code official to review any required permits or building limitations.

- **A level and sturdy foundation is required before shed construction can begin.**

Site preparation information is available later in this manual. A foundation that differs from the suggestions within this manual could prevent proper assembly and may damage parts.

- **Read instructions thoroughly prior to assembly.**

This kit contains parts that can be damaged if assembled incorrectly or in the wrong sequence.

- **Please follow instructions.**

Suncast is not responsible for replacing parts lost or damaged due to incorrect assembly.

- **Assistance is required during entire assembly.**



Indicates at least 1 additional adult is needed to complete this step.



Indicates caution is recommended when using a power drill.

IMPORTANT

COMPLETE SITE PREPARATION AND FOUNDATION CONSTRUCTION BEFORE UNPACKING ALL PARTS.

OPEN ALL BOXES FIRST AND NEATLY LAYOUT PARTS. SMALL PARTS MAY BE CONTAINED IN EACH BOX. PLEASE REFERENCE THE PARTS LIST WITHIN THIS MANUAL TO VERIFY ALL PARTS ARE PRESENT.



Caution

- Power tools can apply excessive torque resulting in damage to the product. If you choose to use a power drill to assemble the product, Suncast recommends using a variable speed, cordless drill with a variable clutch set at the lowest setting. A #2 Phillips driver bit is compatible with the hardware provided. Suncast makes no guarantee that following this recommendation will prevent damage to the product. Damage to parts due to over-torque are not covered under Suncast's limited-warranty.
- Proper site preparation required.
- Shed not intended for storage of flammable, caustic or corrosive materials.
- Shed not intended for habitation or use by children.
- **DO NOT** stand, sit, or store items on storage shed roof.
- Repair or replace broken parts immediately.
- Hot items, such as recently used grills, blowtorches, etc., must not be stored in the shed.
- Heavy articles should not be leaned against the walls, as this may cause panel distortion and permanent damage.
- Suncast is not responsible for damage caused by weather or misuse.
- This kit contains parts with metal edges. Please be careful when handling.
- **WHEN DRILLING THROUGH METAL**, beware of burrs, shavings and other sharp edges. Safety glasses are strongly recommended.



Shed Care and Maintenance

- At regular intervals, inspect your shed to make sure that assembly integrity has been maintained.
- Periodically check that the location you have chosen to set your shed is still level.
- Keep roof clean of snow and leaves.
- To maintain the look of your product, we recommend cleaning it at regular intervals with mild soap and water. **DO NOT** use bleach, ammonia or other caustic cleaners, and **DO NOT** use stiff bristle brushes. Failure to perform cleaning at regular intervals could result in permanent staining of the plastic. This type of damage is not covered under warranty.



Assembly Day Tips

- **DO NOT** attempt to assemble on a day with strong winds.
- **DO NOT** attempt to assemble on days when temperature is below 32 degrees Fahrenheit.
- Set aside appropriate amount of time to completely assemble shed. An incomplete shed assembly may pose a safety hazard.
- Make sure you have assistance nearby to lift and secure parts in place.
- Wear light duty work gloves while assembling shed.
- Once roof is assembled, a flashlight may be of use when assembling smaller components inside shed.
- **DO NOT** use a torque wrench or hand drill to tighten Easy bolts. Use provided Easy Bolt Driver ONLY.
- Suncoast provides extra hardware for small fasteners for customer convenience. In some cases, there will be extra small fasteners once the assembly is complete.

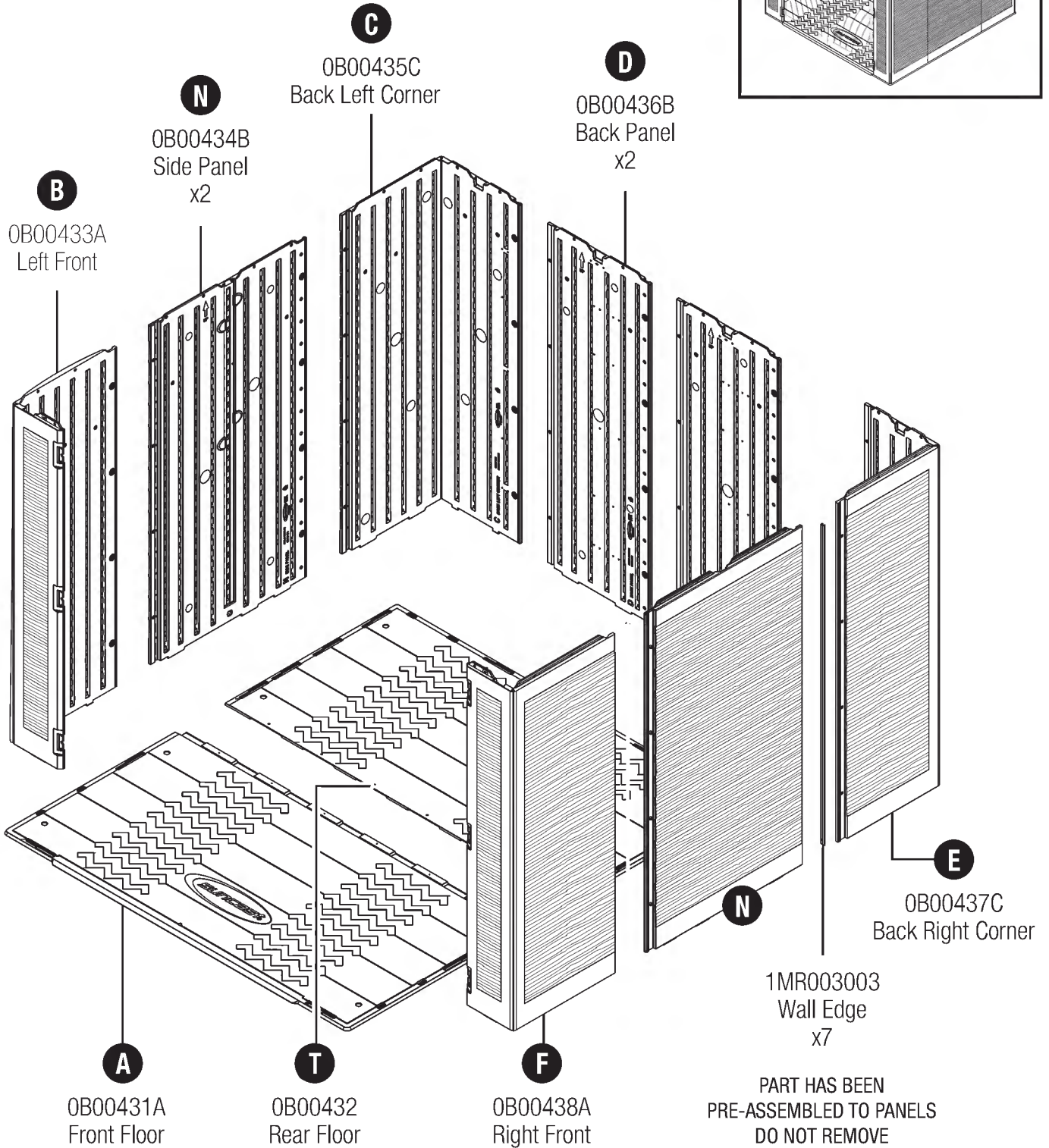
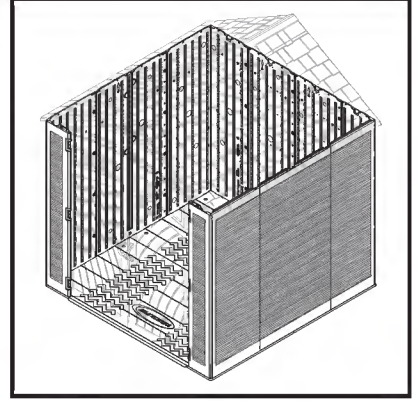
Note: This product contains parts that are used in different orientations to construct the shed. Please take note of the orientation of the parts shown throughout this instruction manual. Failure to follow instructions could result in damage to parts. Suncoast is not responsible for replacing parts lost or damaged due to incorrect assembly.

Parts - Walls and Floors

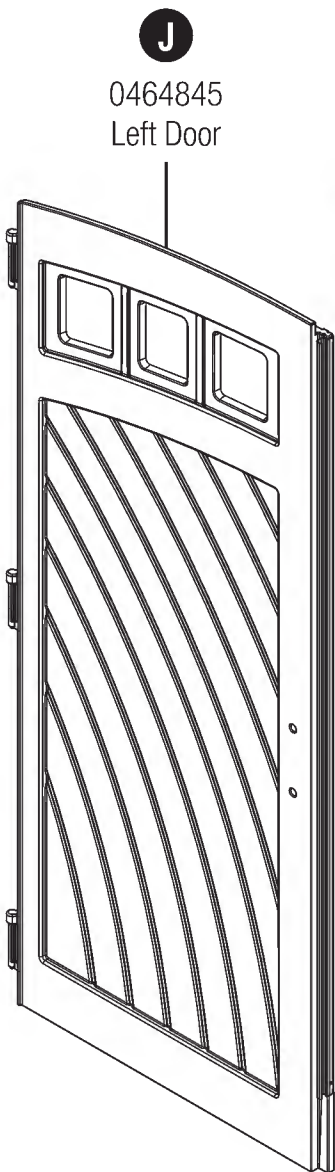
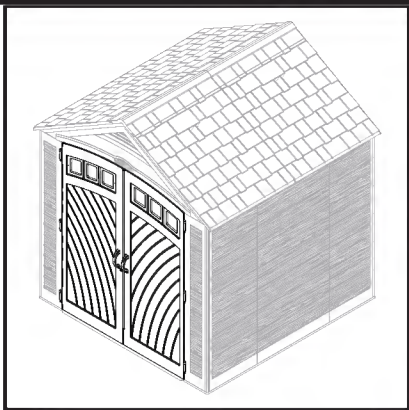
IMPORTANT

COMPLETE SITE PREPARATION AND FOUNDATION CONSTRUCTION BEFORE UNPACKING ALL PARTS.

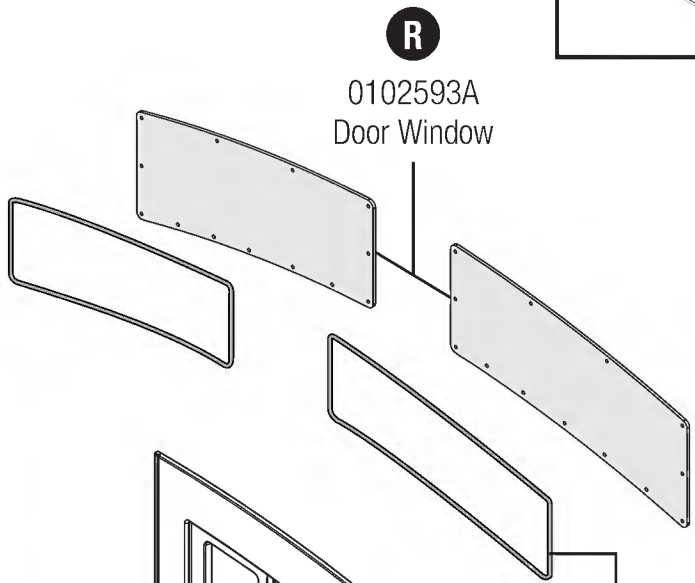
OPEN ALL BOXES FIRST AND NEATLY LAYOUT PARTS. SMALL PARTS MAY BE CONTAINED IN EACH BOX. PLEASE REFERENCE THE PARTS LIST WITHIN THIS MANUAL TO VERIFY ALL PARTS ARE PRESENT.



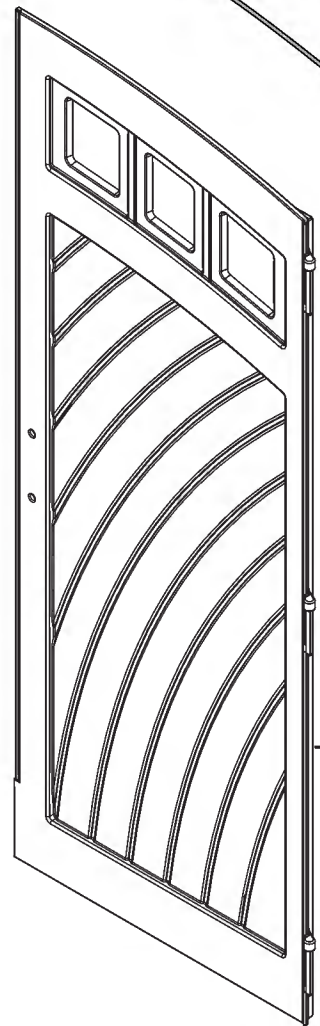
Parts - Doors



J
0464845
Left Door



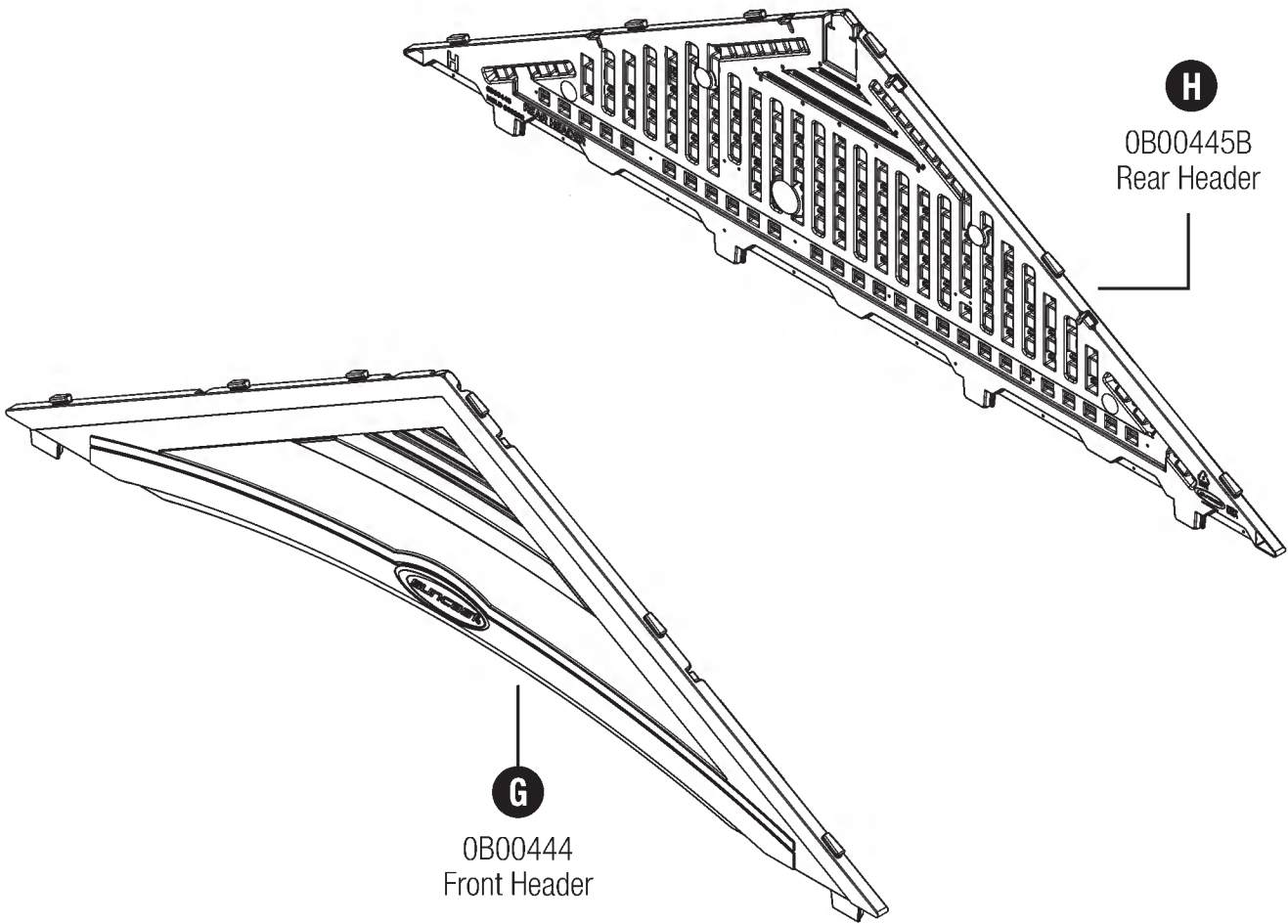
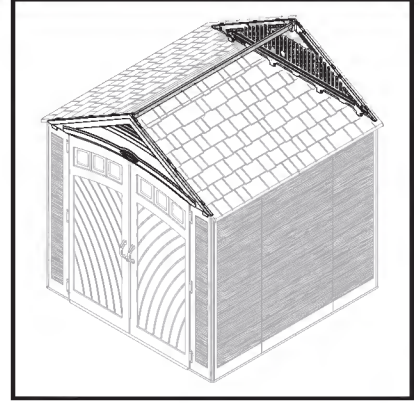
R
0102593A
Door Window



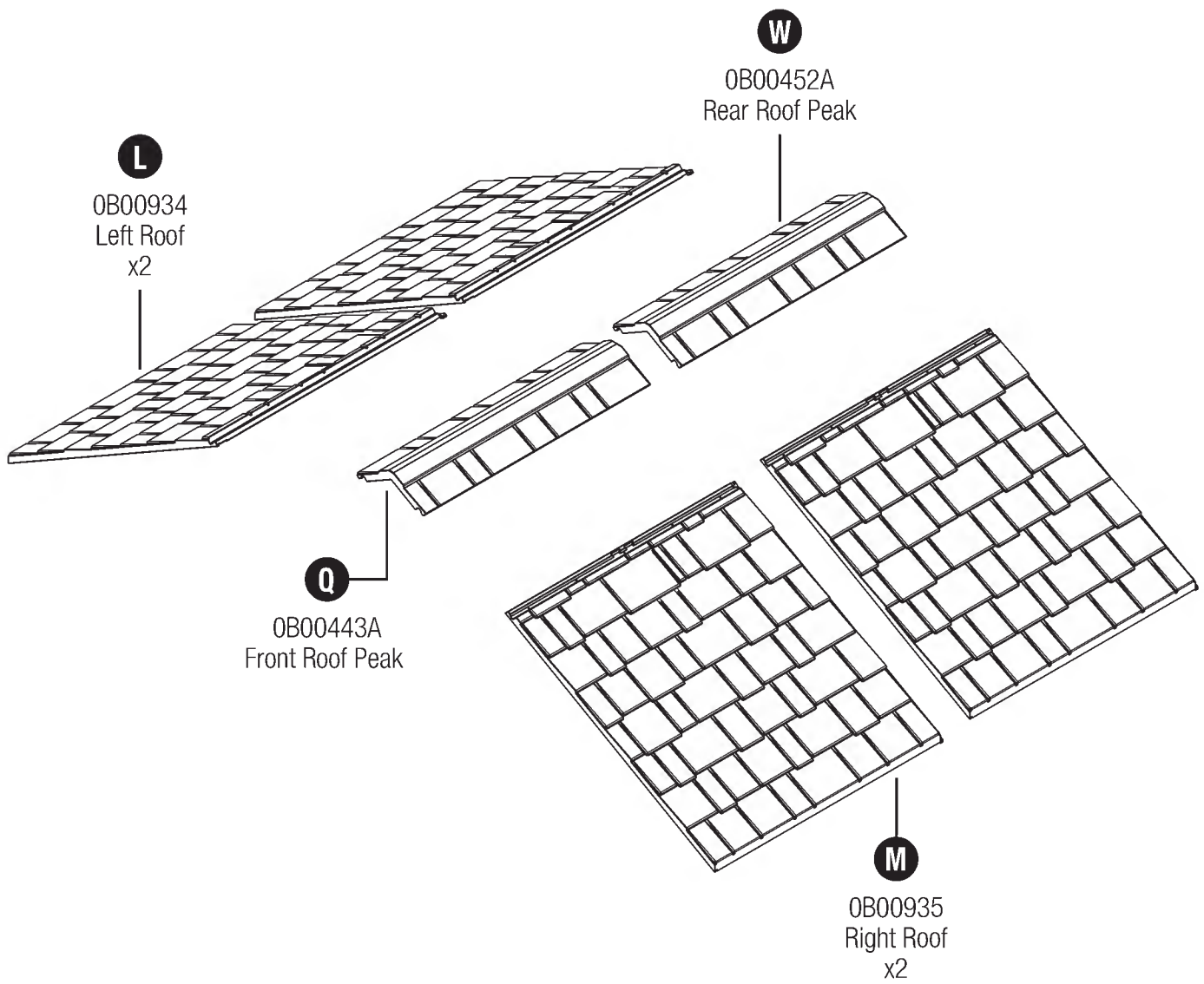
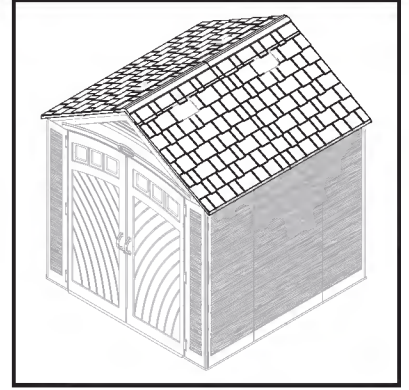
K
0464846
Right Door

P
0440919
Window Gasket
x2

Parts - Headers

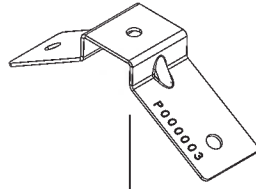


Parts - Roof



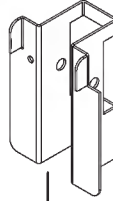
Parts - Steel

0464848 - Parts Bag



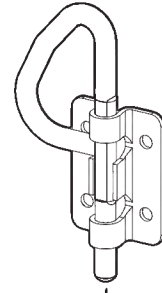
Z

1MPG00003
Truss Bracket



U

1MPG00001
Ridge Beam Bracket
x2



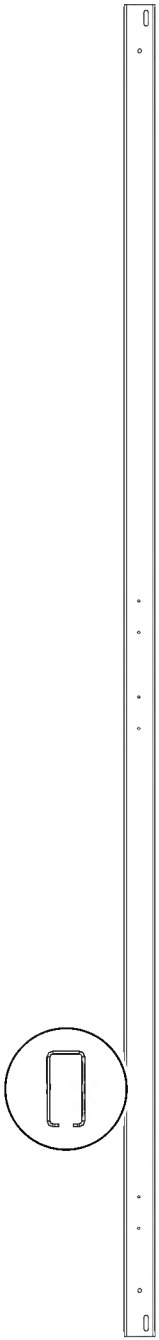
O

*0280384
D-Ring
x2



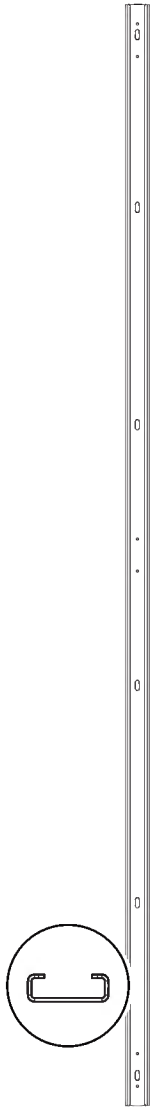
DD

*1MPG00004
7 7/8" Truss Strap
x2



S

1MRG01010
82 1/4" Ridge Beam



EEE

1MRG02001
62" Header Beam



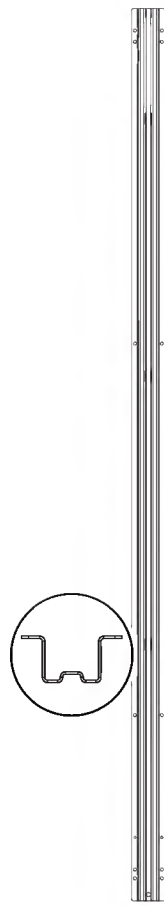
X

1MRG02002
57" Header Beam



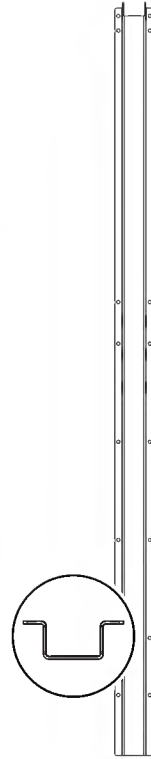
AA

1MRG09012
41" L-Bracket
x8



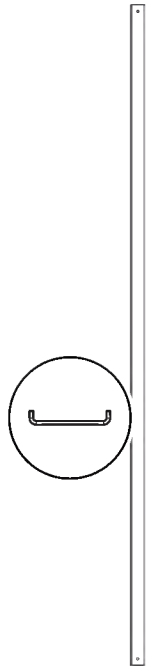
Y

1MRG05004
45 5/8" Truss Leg
x2



BB

1MRG04002
40 3/4" Side Adapter
x2

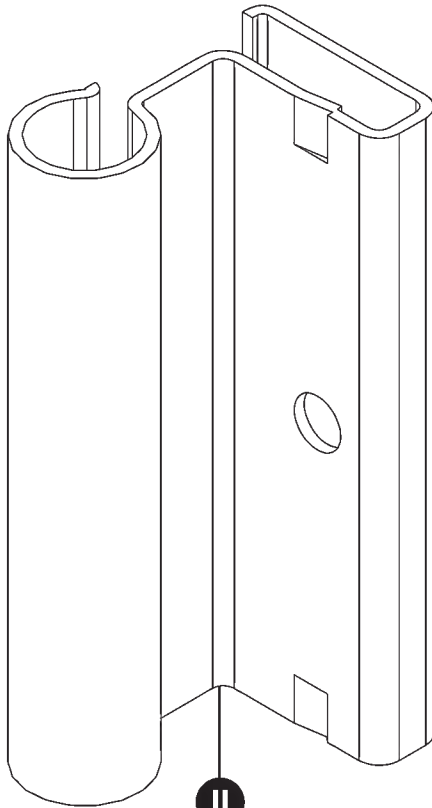


CC

1MRG06001
40 5/8" Truss
Cross Beam
x2

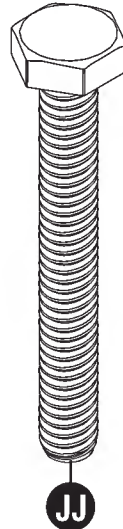
Kit #0860021G

Parts - Hardware

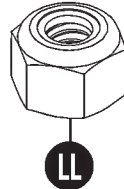


OMP000002 – Metal Hinge Plate
x6

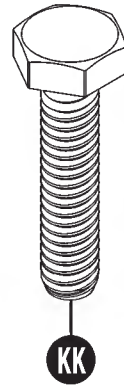
0480340 – Hardware Bag



.25" x 2" Hex Bolt
x4

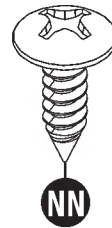


.25" Locking Nut
x6



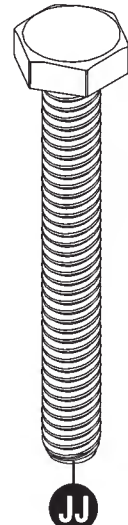
.25 - 20 x 1" Hex Bolt
x2

0480375 –
Hardware bag

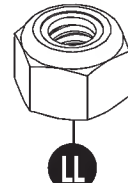


.625" Screw
x210

0480374 – Hardware Bag

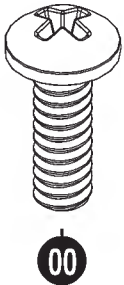


.25" x 2" Hex Bolt
x2

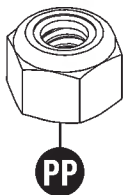


.25" Locking Nut
x2

0480337 – Hardware Bag



.25" x .75" Screw
x6



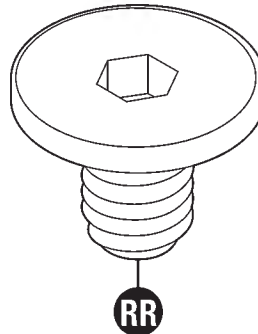
.25" Locking Nut
x6

0480452 – Hardware Bag

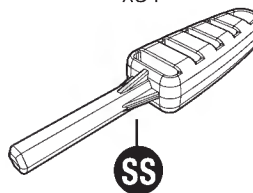


#8 x .625" Screw
x9

0480494A - Hardware Bag

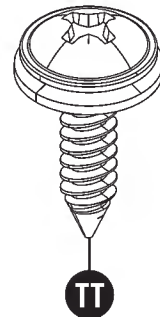


Easy Bolt 7/8"
x31

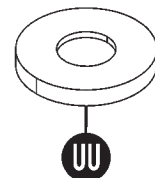


*Easy Bolt Easy Driver

0480438 – Hardware bag



#10 x .75" Screw w/ Washer
x22

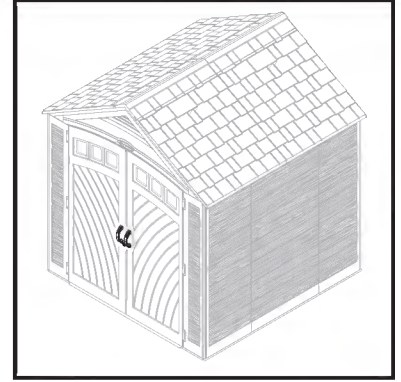
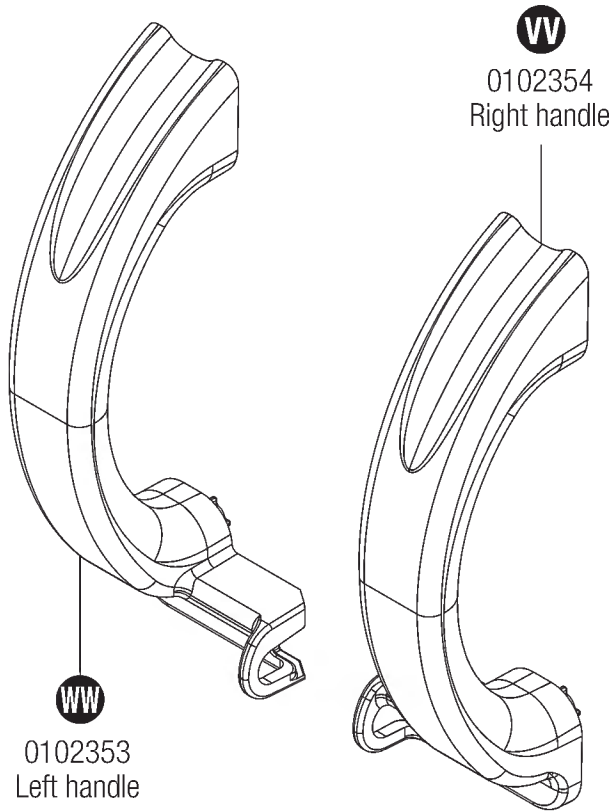


#10 Rubber Sealing Washer
x22

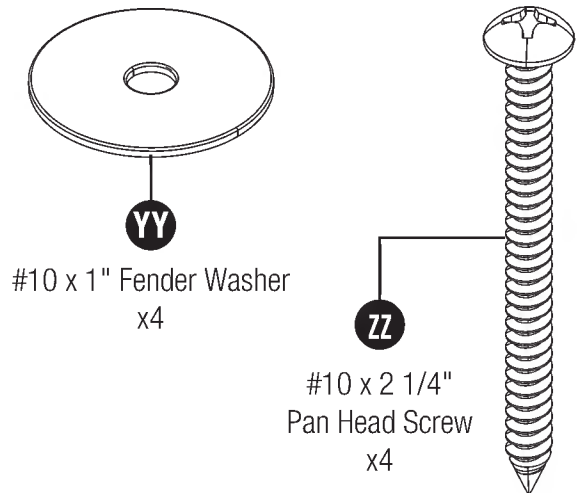
Hardware shown at actual size (*unless otherwise noted). Extra hardware provided. Not all are used.

Parts - Door Handle Kit

0463282 – Door handle kit



0480370 – Hardware Bag



Hardware shown at actual size (*unless otherwise noted). Extra hardware provided. Not all are used.

Site Preparation and Platform Construction

Materials **NOT** supplied with Shed Kit

Important:

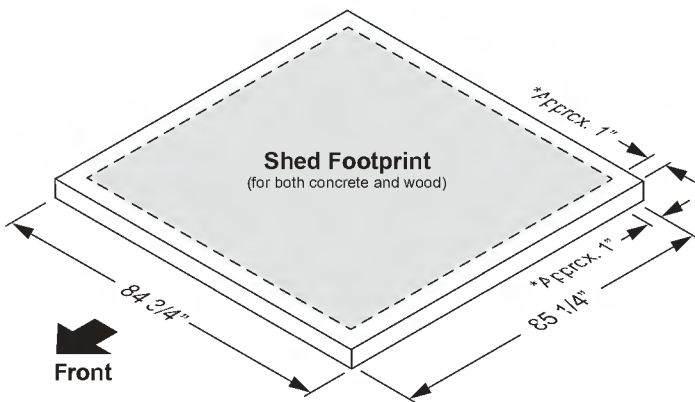
- **Site preparation is required for this shed. Placing the shed on a properly constructed, square, flat, smooth and level foundation, as described below, is required. Without a properly constructed foundation, settling will eventually occur, causing distortion and damage to the shed. Suncoast is not responsible for replacing parts damaged or property lost due to incorrect foundation construction or improper assembly. Warranty requires a properly constructed foundation to which the shed must be anchored as instructed below.**
- **Complete the site preparation and foundation construction before unpacking parts and beginning assembly. For tips on site preparation, go to www.suncoast.com, consult retailer, or local code.**

Site Preparation

1. Consult your local authorities for building codes and covenants before beginning foundation or erecting shed.
2. Before any digging, check with local utilities to determine location of buried cables, pipes, etc.
3. Decide which type of foundation is most suitable for your installation. The foundation surface must be square, flat, smooth and level. Follow the below guidelines for foundation options.
4. Complete the foundation preparations as follows:
 - A vapor barrier may be applied over the foundation to prevent excessive condensation in the shed. Follow local building codes for a proper vapor barrier.
 - The ground should slope away from the foundation area to provide drainage.
 - Placing the shed on surfaces made of materials such as patio blocks or pavers is not acceptable for long-term support structure or smooth surface. Use of these will void the warranty.

Concrete Slab

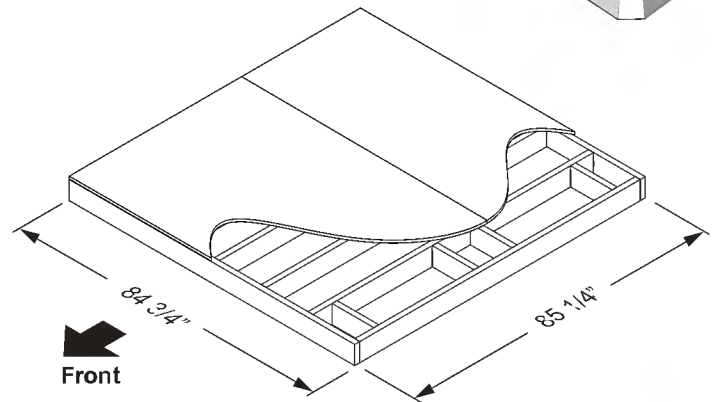
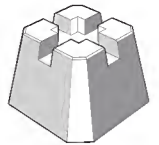
- Construct a slab of at least 4" thickness.
- The use of reinforcement bar is recommended.
- For foundations larger than specified below, the shed must rest on a continuous, level portion of the concrete slab



* Dimensions shown are minimal for proper fit of the shed.

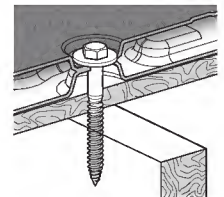
Wood Platform

- Use exterior grade wood.
- Set the wood platform on deck footing blocks or full footing.



Anchoring the Floor Panels to the Foundation is required after shed assembly is complete.

- Shed floor panels include flattened areas where anchors or lag screws are to be secured. These flat areas must be drilled through prior to securing the floor panels to the foundation.
- The shed must be secured to a continuous concrete slab using 3/8" masonry anchors with 1" washers (hardware not included). **8 masonry anchors are required for the Suncoast BMS7705 Shed.**



Anchor section example

- The shed must be secured to a wood platform using 1/4"-3/8" x 3" lag screws with 1" washers (hardware not included). **8 lag screws are required for the Suncoast BMS7705 Shed.**

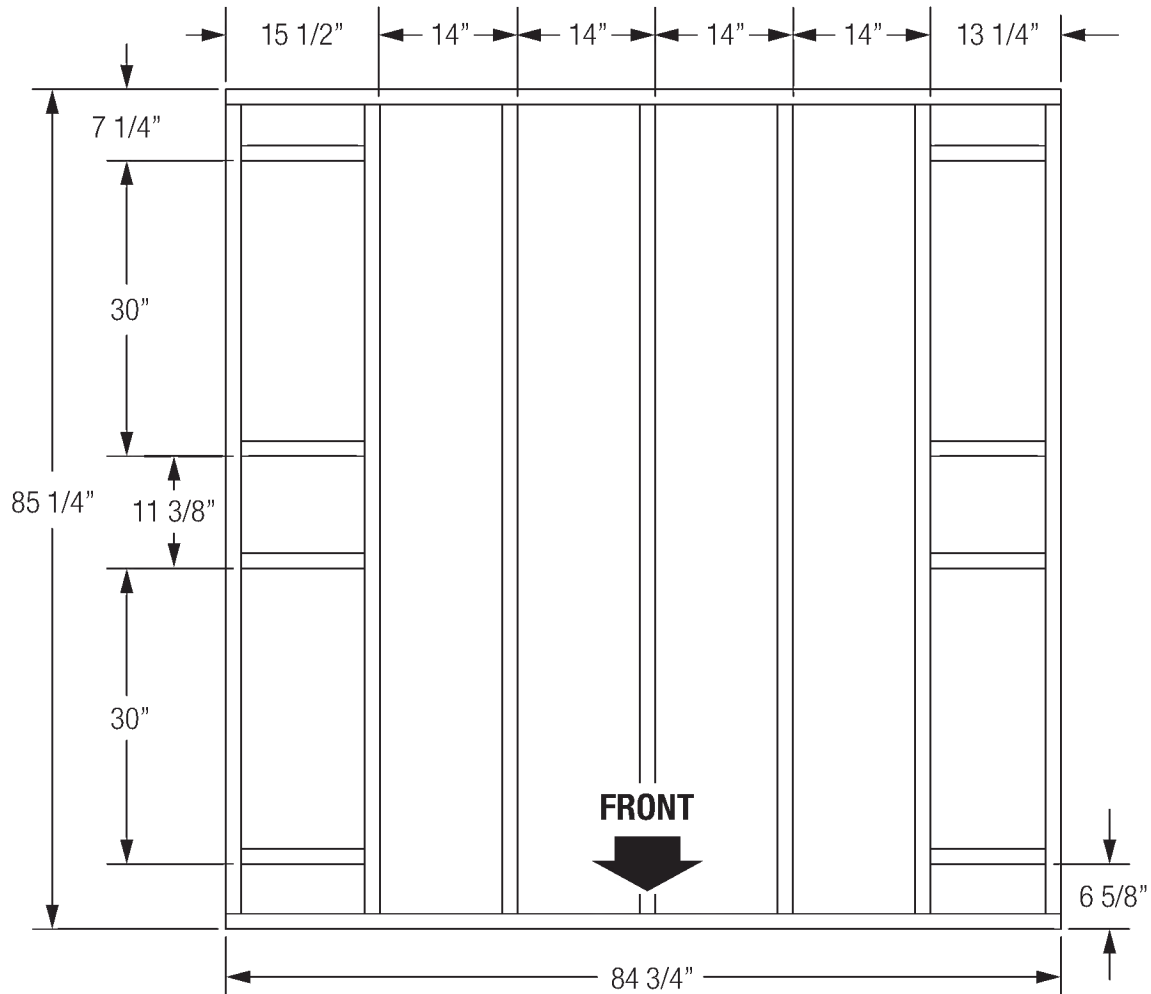
Note: Shed floor fastening locations are designed to align with the under-structure layout. Be sure the front of the floor panels are oriented correctly on the platform to ensure lag bolts engage with the under-structure.

Site Preparation and Platform Construction (continued)

Materials **NOT** supplied with Shed Kit

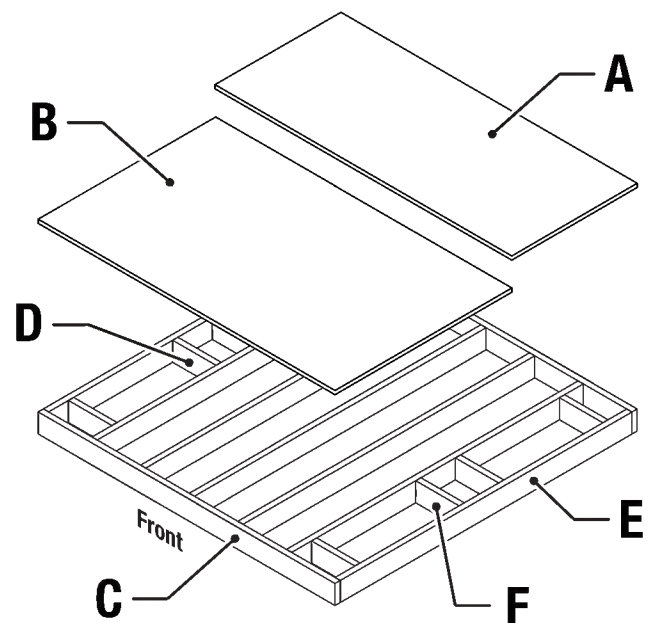
Wood platform critical spacing

- Check all critical spacing measurements carefully.



Wood platform materials list

Item	Qty	Size
A	1	37 1/4" x 84 3/4" x 3/4"
B	1	48" x 84 3/4" x 3/4"
C	2	2" x 6" x 84 3/4"
D	4	2" x 6" x 12 1/2"
E	7	2" x 6" x 82 1/4"
F	4	2" x 6" x 11 3/4"

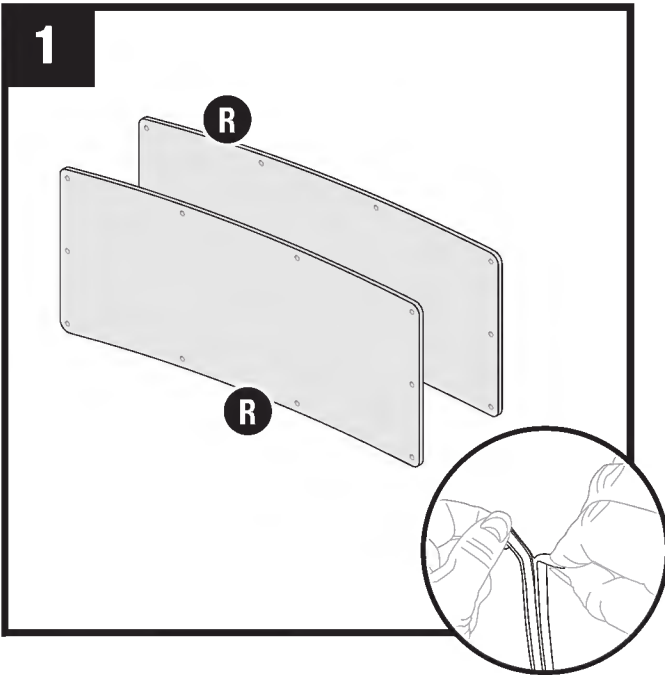


- Please note, 2 x 6 dimensional lumber is actually 1/2" smaller than noted sizes. Dimensions given presume standard 1.5" x 5.5" actual size lumber. Lumber dimensions can vary. Check lumber dimensions before cutting and make appropriate adjustments to achieve given dimensions. Cut sizes are actual size.

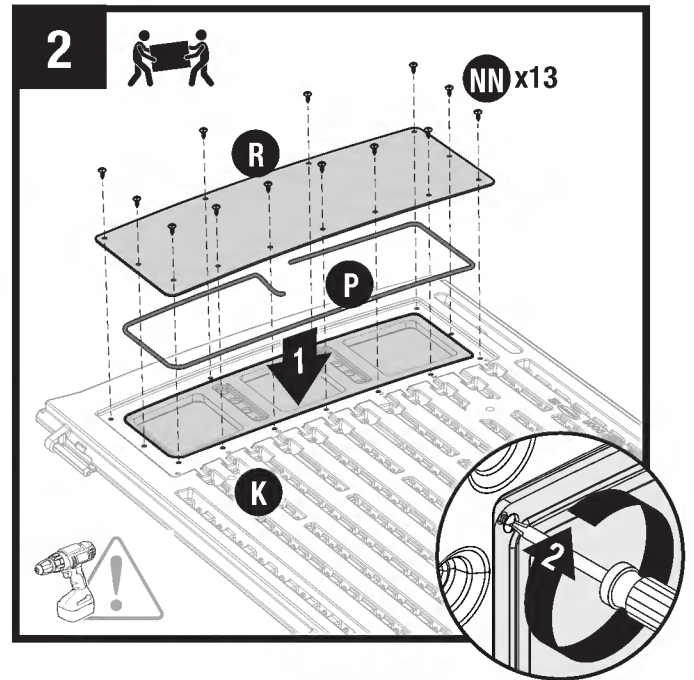
Pre-Assembly - Door

Power tools can apply excessive torque resulting in damage to the product. If you choose to use a power drill to assemble the product, Suncast recommends using a variable speed, cordless drill with a variable clutch set at the lowest setting. A #2 Phillips driver bit is compatible with the hardware provided. Suncast makes no guarantee that following this recommendation will prevent damage to the product. Damage to parts due to over-torque are not covered under Suncast's limited-warranty.

This item uses self-tapping screws in some areas. There are no pre-drilled holes. Use force when starting to drive the screw. Once the screw pierces the plastic it will drive easier.



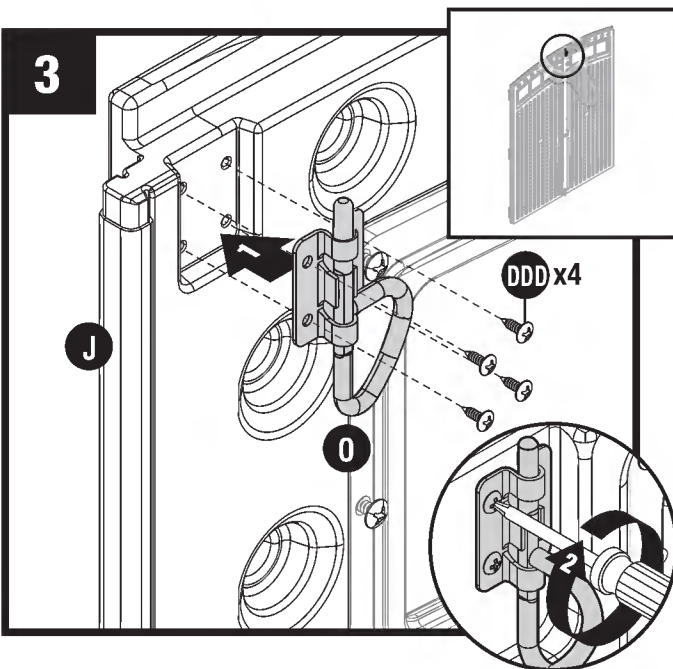
Remove protective wrapping and separate door windows (R). Separate the two window gaskets (P) and peel off backing.



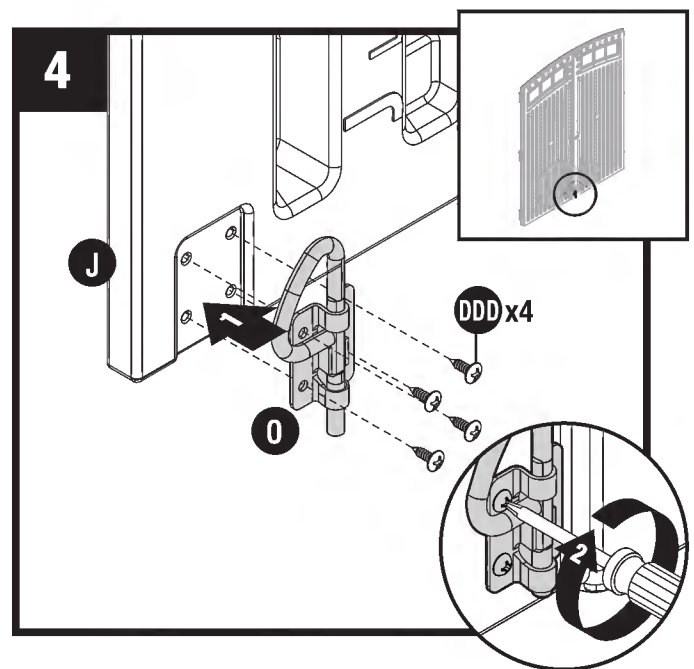
Place right door (K) on flat surface, facing down. Starting at the top-center of the window, press one end of the gasket (P) into the channel and work around the window. **DO NOT STRETCH GASKET.** Trim any excess gasket with scissors.

Lay one door window (R) over the window opening. Secure window with 13 screws (NN).

Repeat for left door (J) and remaining door window (R).

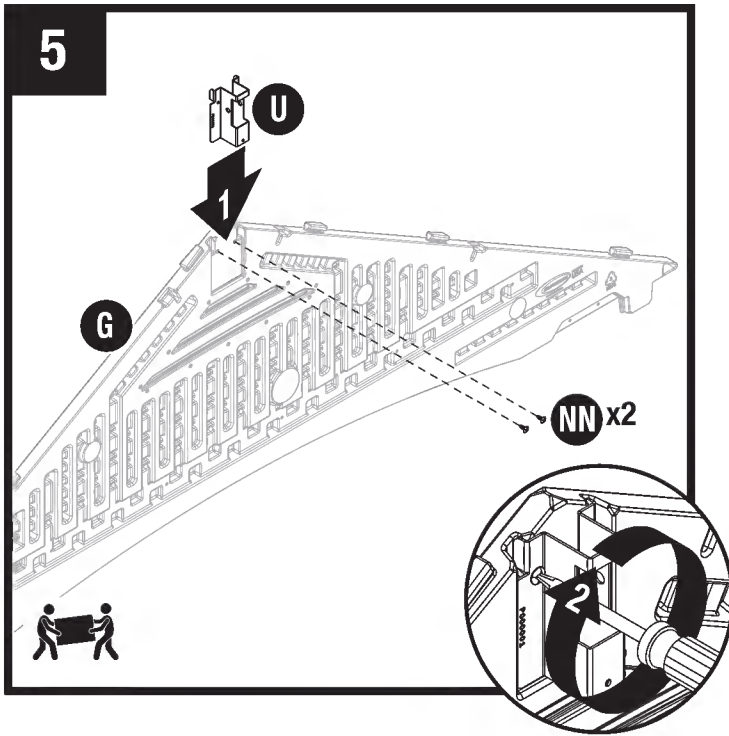


At top interior side of left door (J), attach D-ring slide bolt (O) with four screws (DDD) through provided holes.

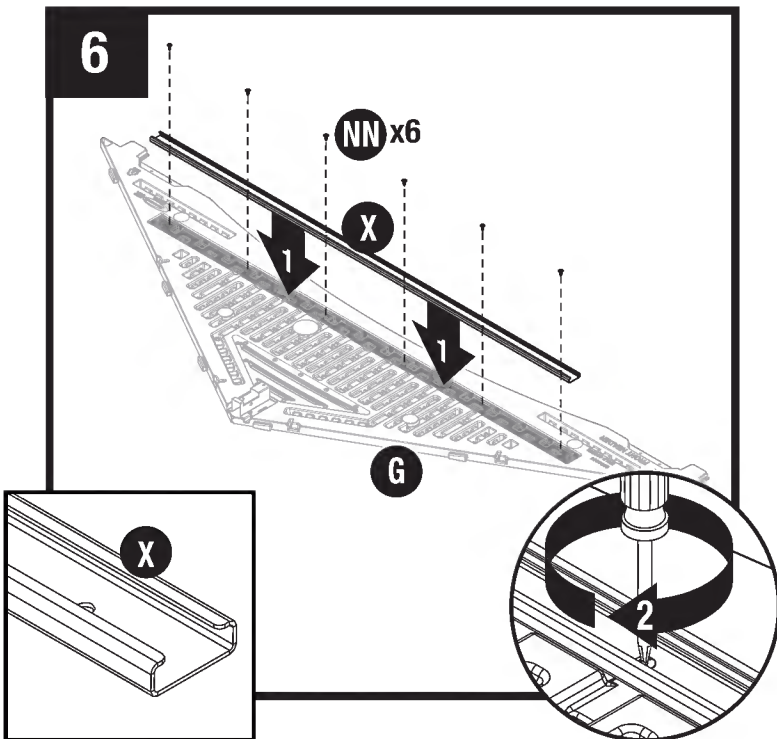


At bottom interior side of left door (J), attach D-ring slide bolt (O) with four screws (DDD) through provided holes.

Pre-Assembly - Header



Slide roof ridge beam bracket (U) under tabs on inside peak of front header (G) and secure with two screws (NN). **DO NOT** over tighten screws.



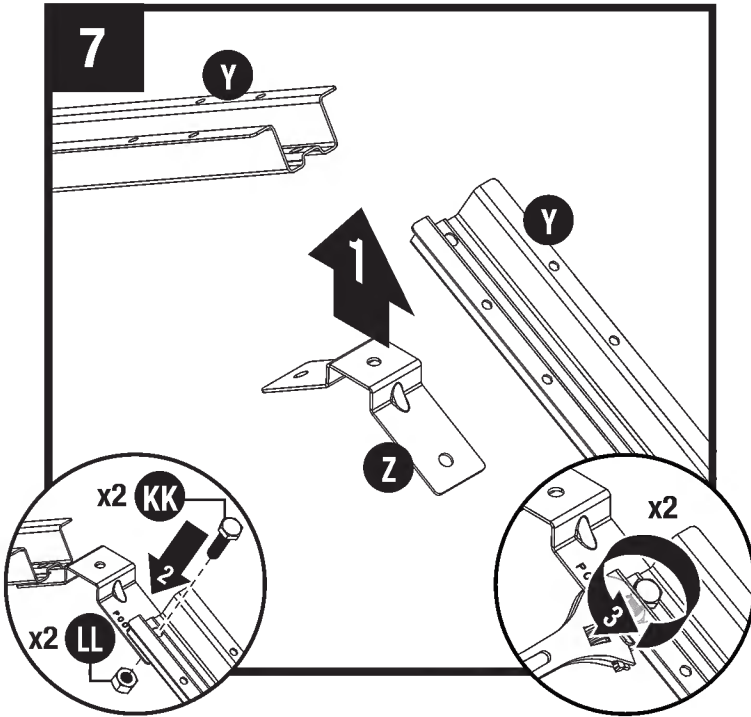
Lay front header (G) on ground with lettering side facing up. Place front header beam (X, 57") into pocket on inside of front header (G). Attach with six screws (NN). **DO NOT** over tighten screws.

Repeat for rear header (H) and rear header beam (EEE, 62").

Pre-Assembly - Roof and Truss

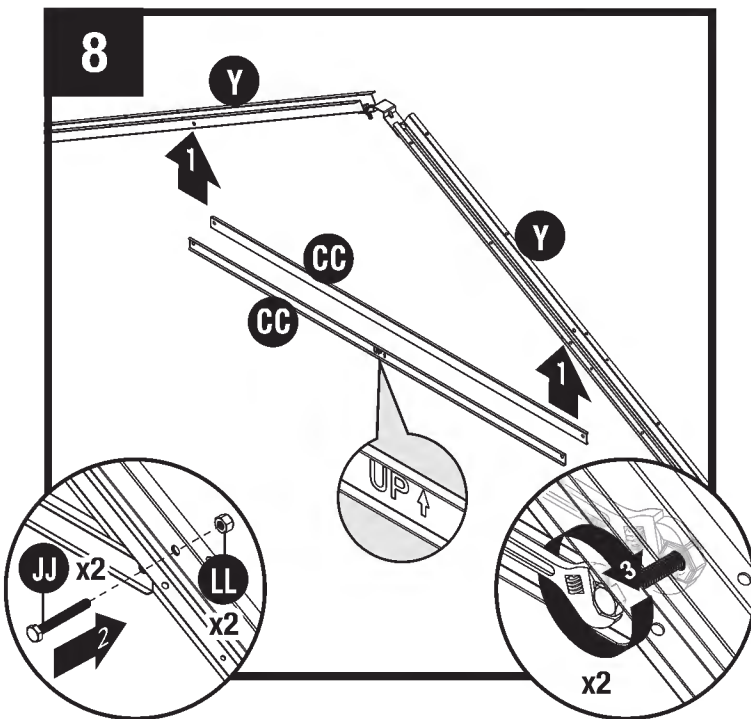


CAUTION: Wear gloves when handling steel frame parts.

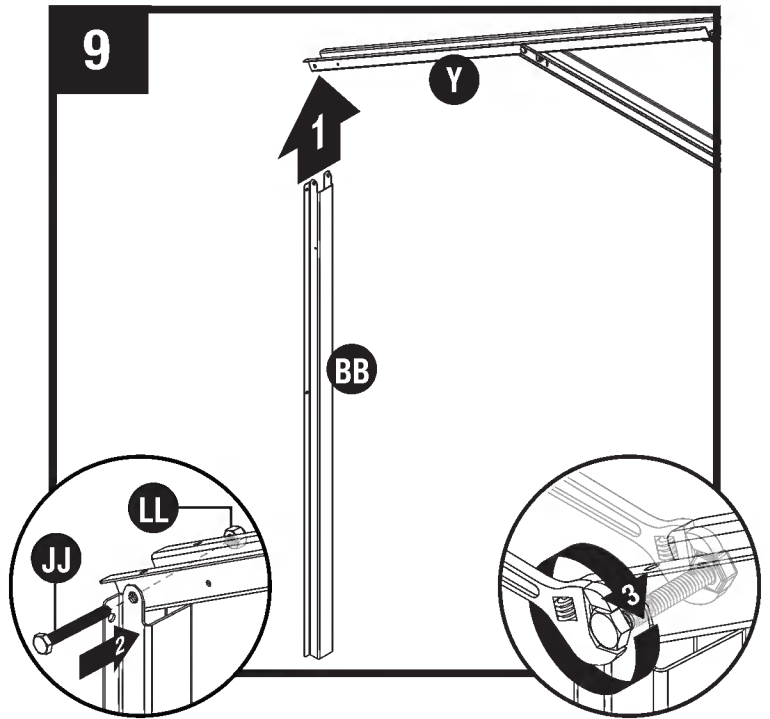


Attach truss bracket (Z) to end of one truss leg (Y) with 1" hex bolt (KK) and locking nut (LL).

Repeat for second truss leg (Y).



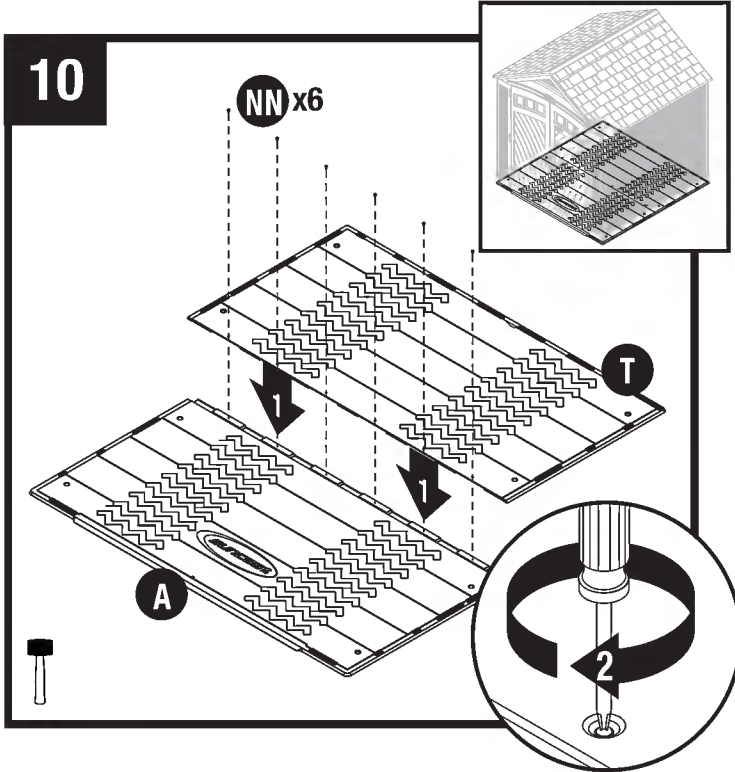
Attach two truss cross beams (CC) to two truss legs (Y) using two hex bolts (JJ) and two locking nuts (LL). Stand truss and check cross beam is level.



Place side adaptor bracket (BB) at end of left truss leg (Y). Secure adaptor bracket with one 2" hex bolt (JJ) and one locking nut (LL). Repeat for other truss leg.

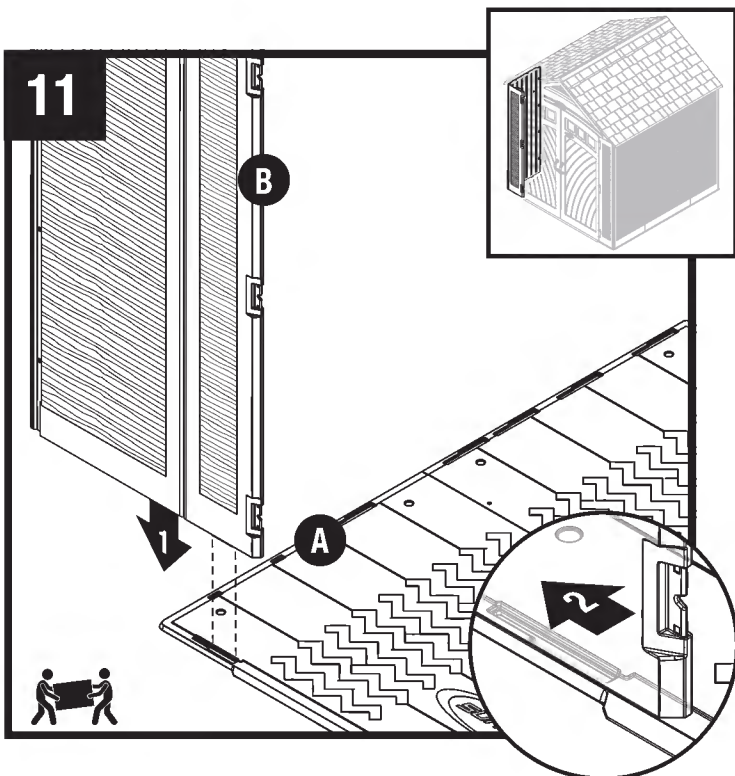
Note: DO NOT over tighten side adaptor bracket (BB) onto end of truss legs (Y). This makes roof assembly difficult.

Assembly - Walls



Push front floor (A) and rear floor (T) panels together and secure with six screws (NN).

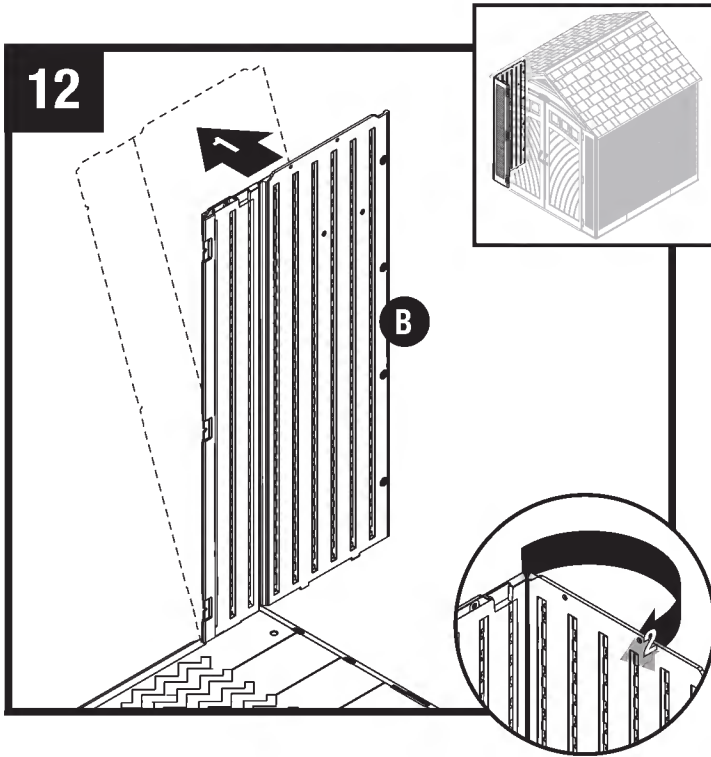
Note: Refer to site preparation earlier in this manual for information about how to secure floors to foundation.



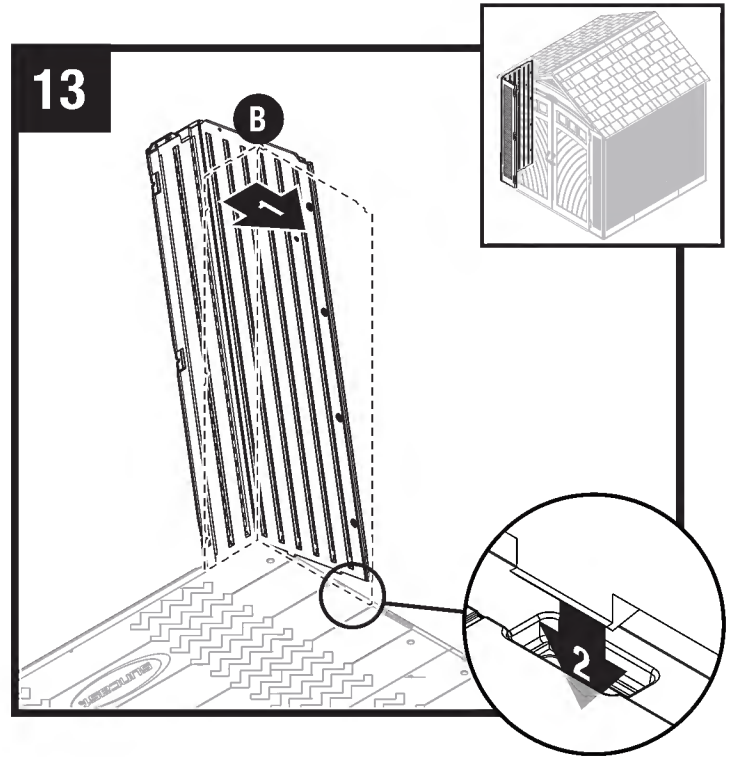
Align tab on bottom right side of left front corner (B) with slot on front floor (A). Lower panel into slot and lock in place by sliding panel toward outside of floor.

Note: Use a rubber mallet to “push” left front corner (B) into locked position.

Assembly - Walls (continued)

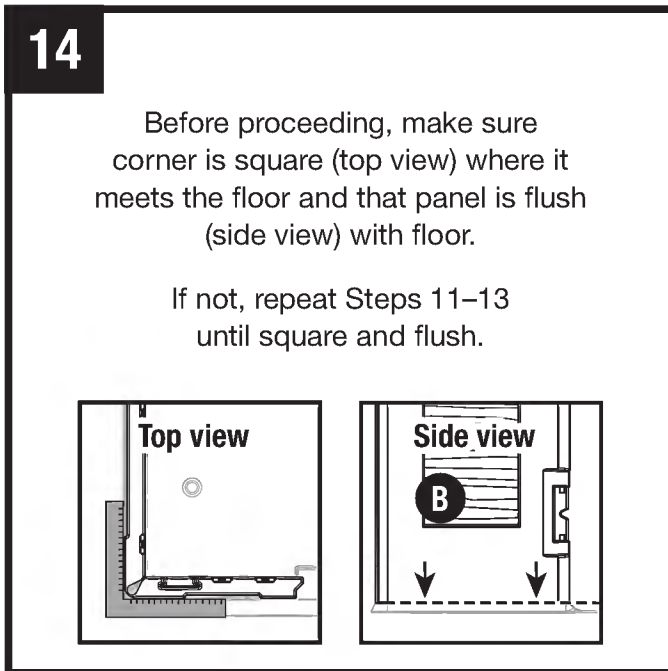


Tip left front corner (B) outward slightly and bend corner hinge.

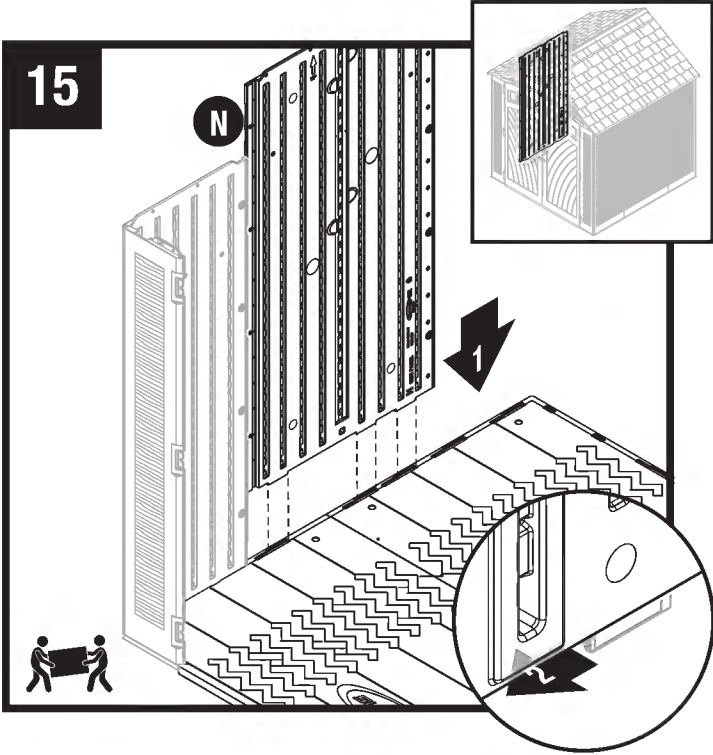


Tip left front corner (B) back to vertical position and align lower tabs on right side with slots in floor.

Note: You will hear a snap when tab is fully engaged.



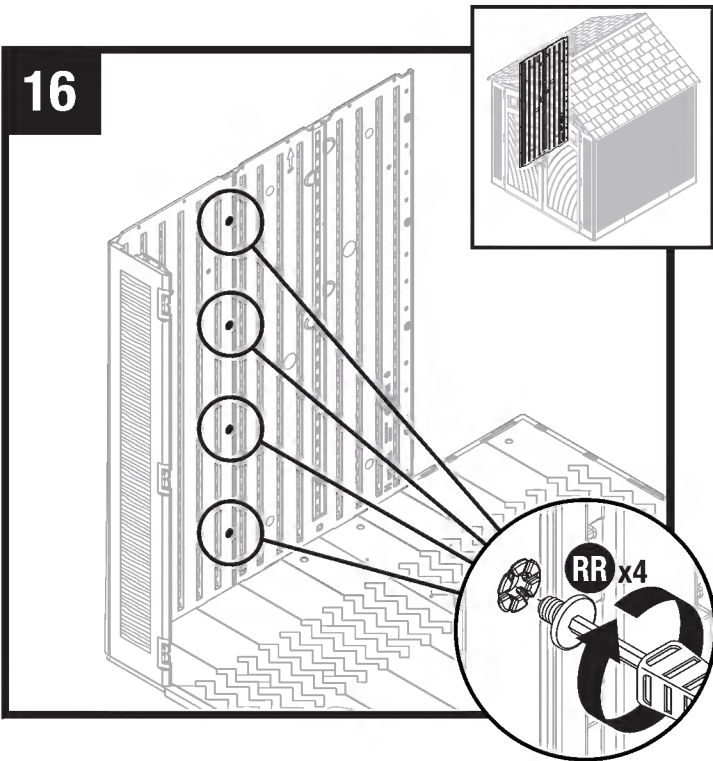
15



Align tabs on bottom of side panel (N) with slots along front and rear floors. Lower panel into slots and lock in place by sliding panel toward front corner.

Note: Use a rubber mallet to “push” side panel (N) into locked position.

16

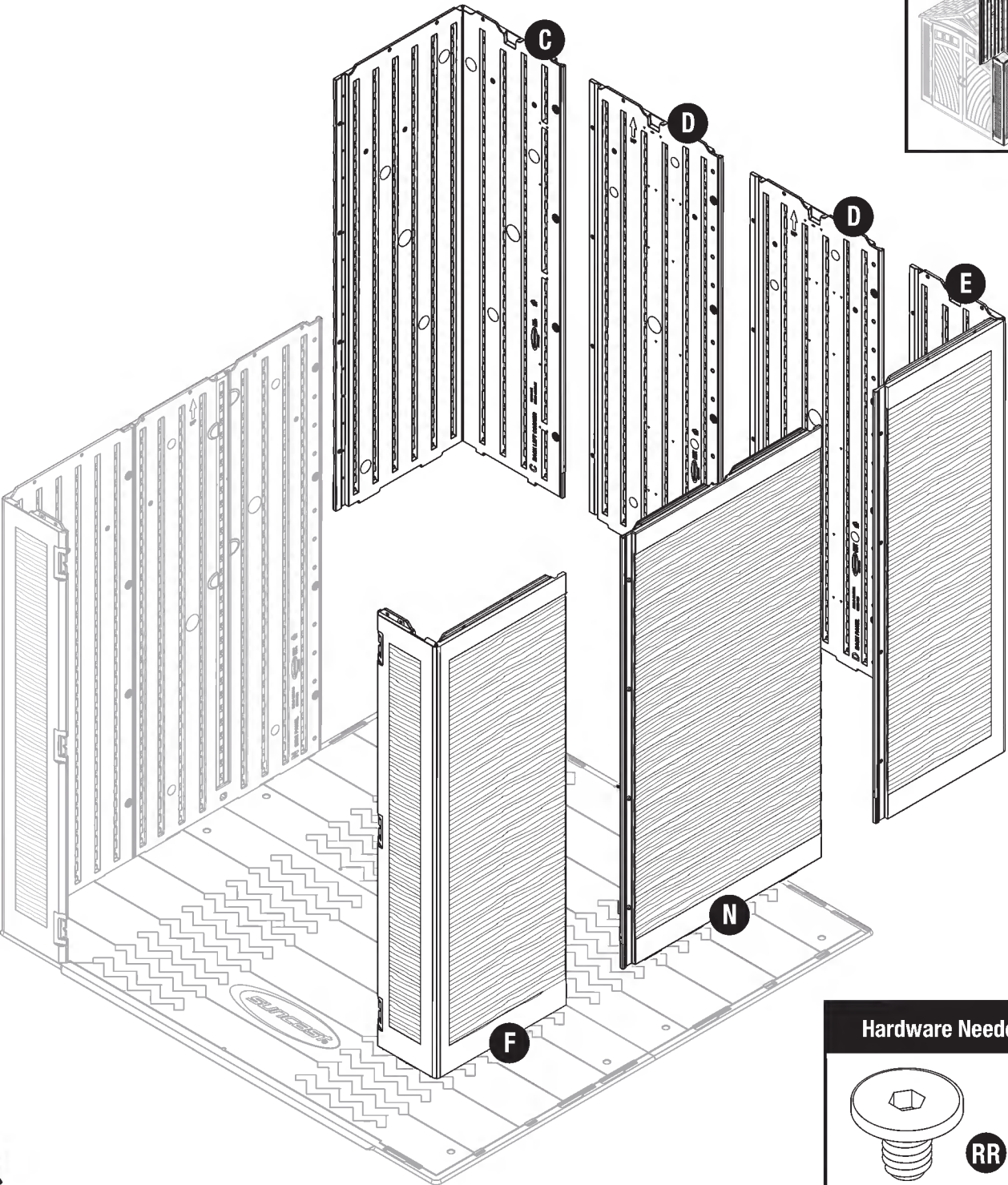


Secure side panel with four easy bolts (RR), working from floor to roof. **DO NOT** use torque wrench. Use easy bolt easy driver (SS) and hand tighten. Easy bolt head will be flush when fully seated. **DO NOT** over tighten easy bolts.

Note: You may hear a click when easy bolt has been tightened completely.

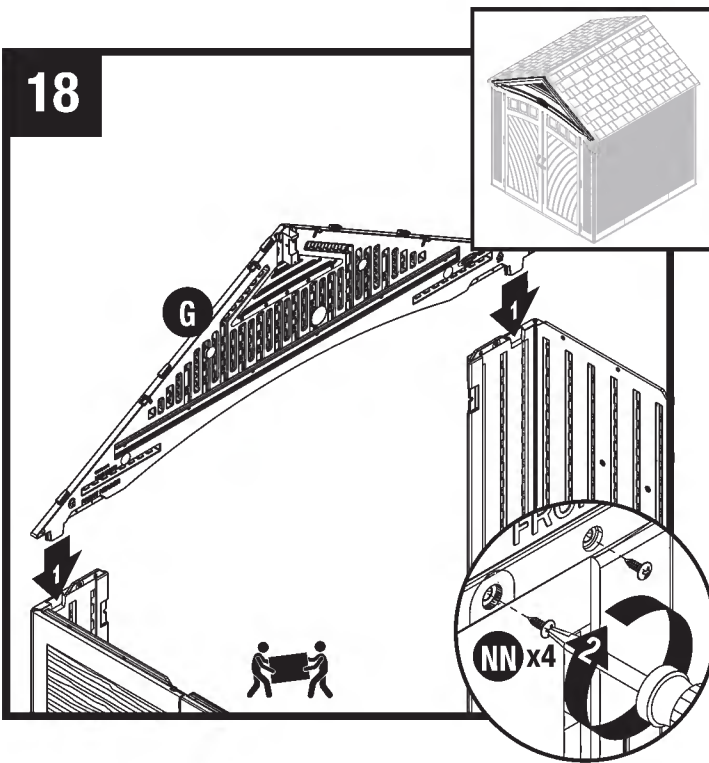
Assembly - Walls (continued)

17

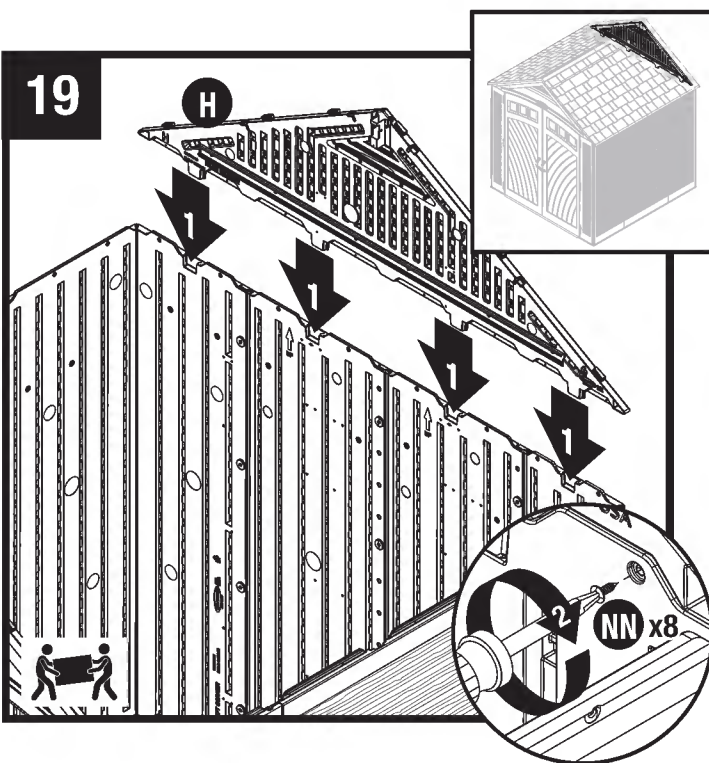


Repeat Steps 12-16 for remaining panels.

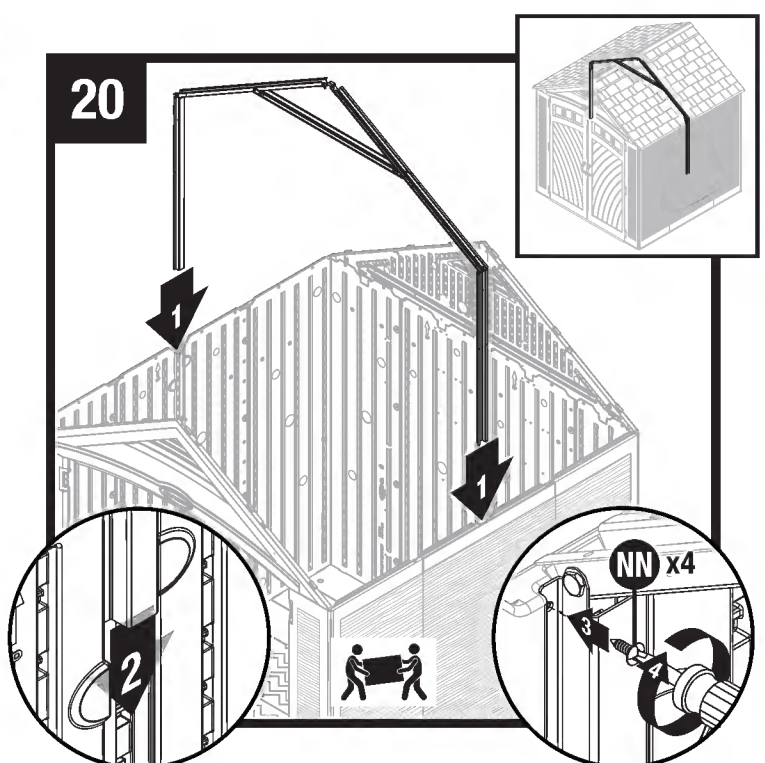
Assembly - Headers and Truss



Place front header (G) over door opening and fit two protruding support legs into pockets molded in front corners. Secure front header using two screws (NN) in each front corner.

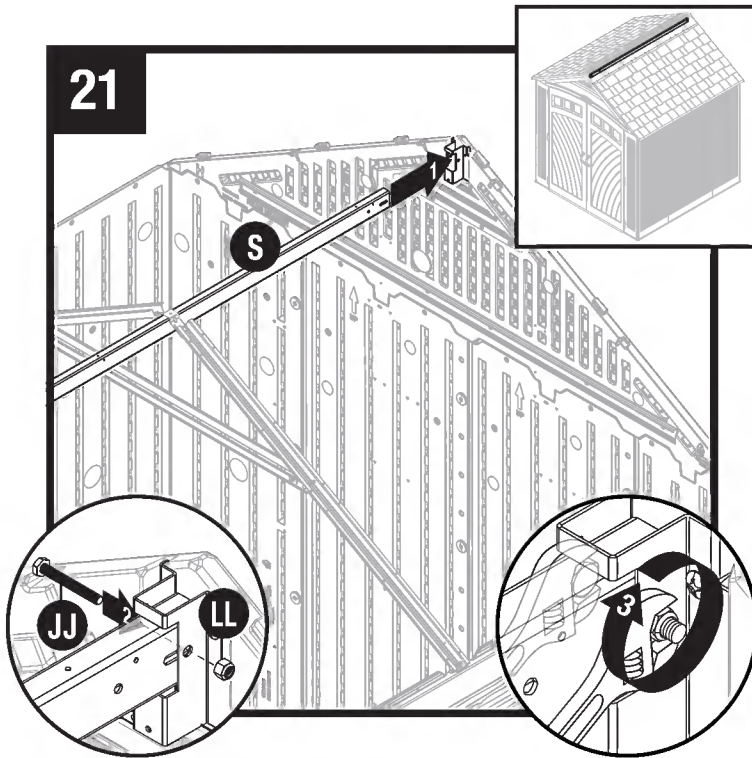


Place rear header (H) over back walls and fit four protruding support legs into pockets molded in back walls. Secure rear header using eight screws (NN).



Slide truss assembly into place. Secure with four screws (NN) in each side adaptor bracket.

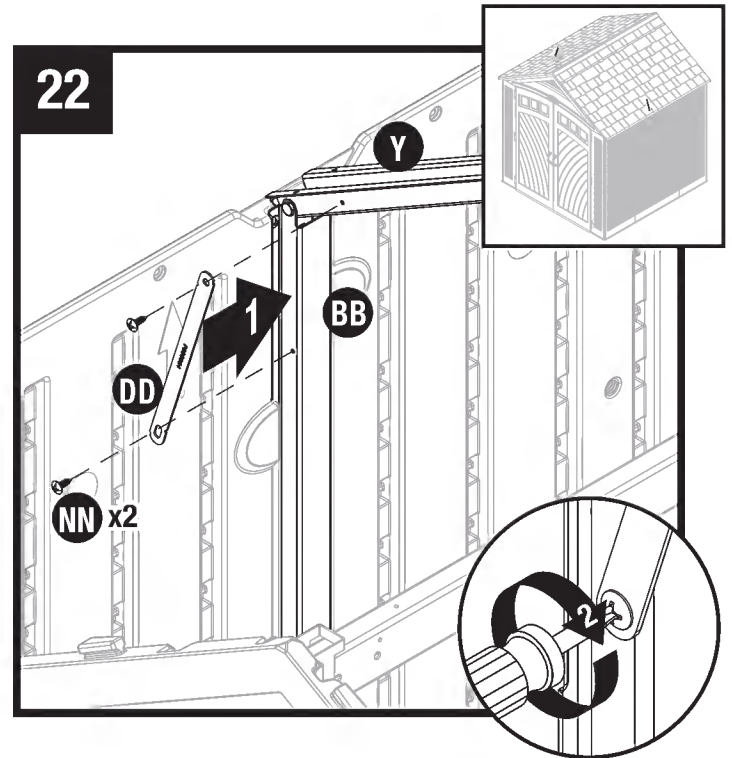
Assembly - Headers and Truss (continued)



Raise ridge beam (S) up and into rear roof ridge beam bracket. Secure with one 2" hex bolt (JJ) and one locking nut (LL). Repeat with front ridge beam bracket.

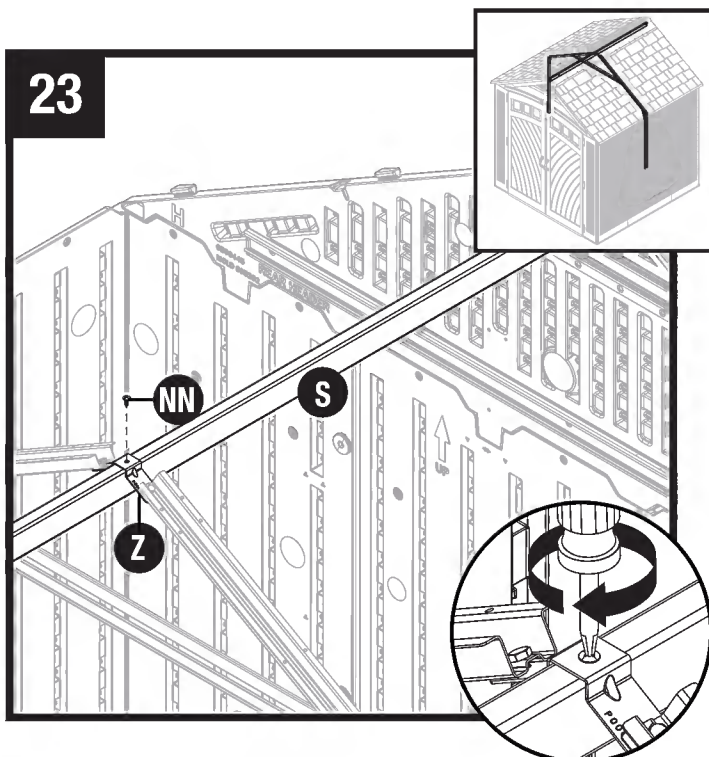
Note: Make sure open end of ridge beam faces down.

Note: Alignment of ridge beam to bracket may require header panels to be pushed inwards or outwards slightly as ridge beam is slid into place.



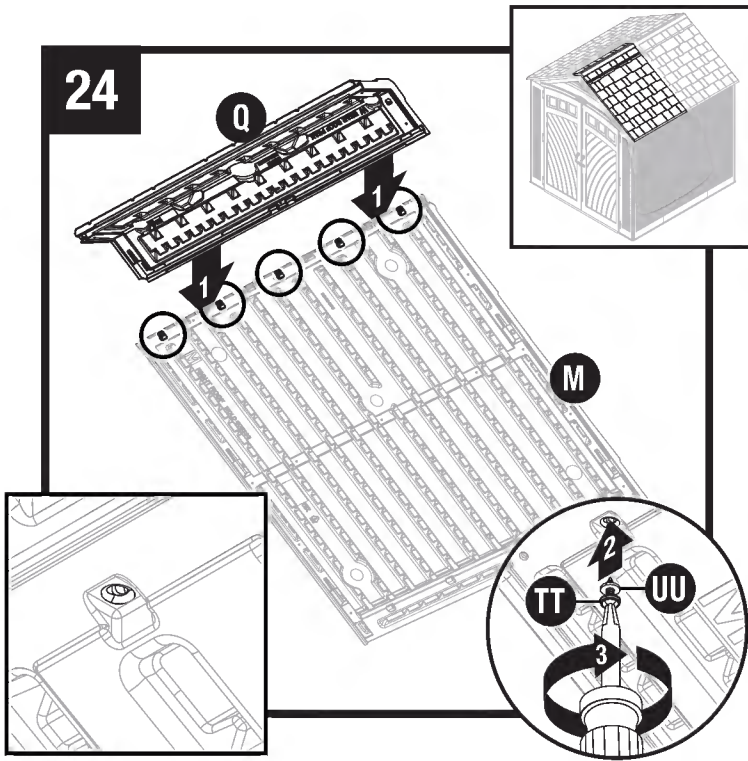
Attach truss strap (DD) to side adaptor bracket (BB) and truss leg (Y) with two screws (NN).

Repeat for remaining truss strap.



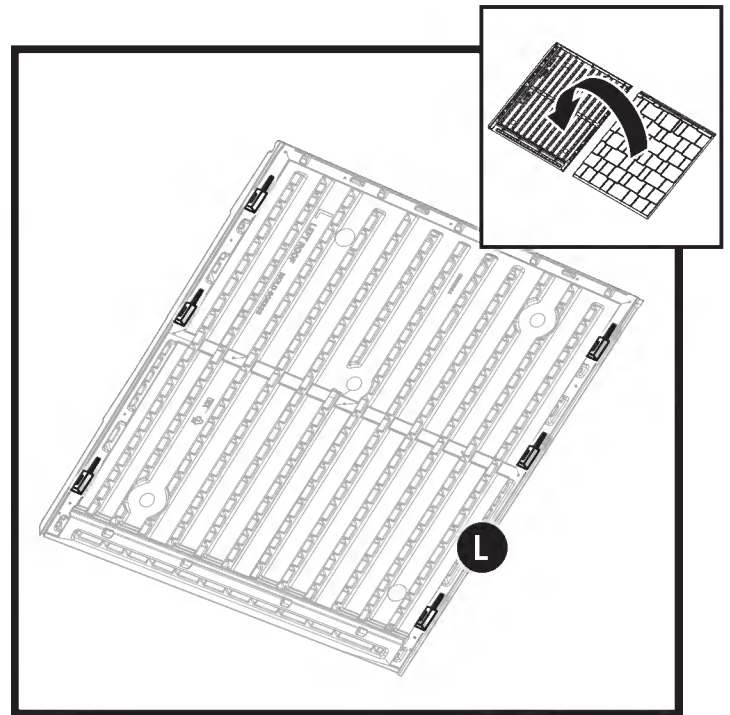
Attach truss bracket (Z) to ridge beam (S) with one screw (NN).

Assembly - Roof

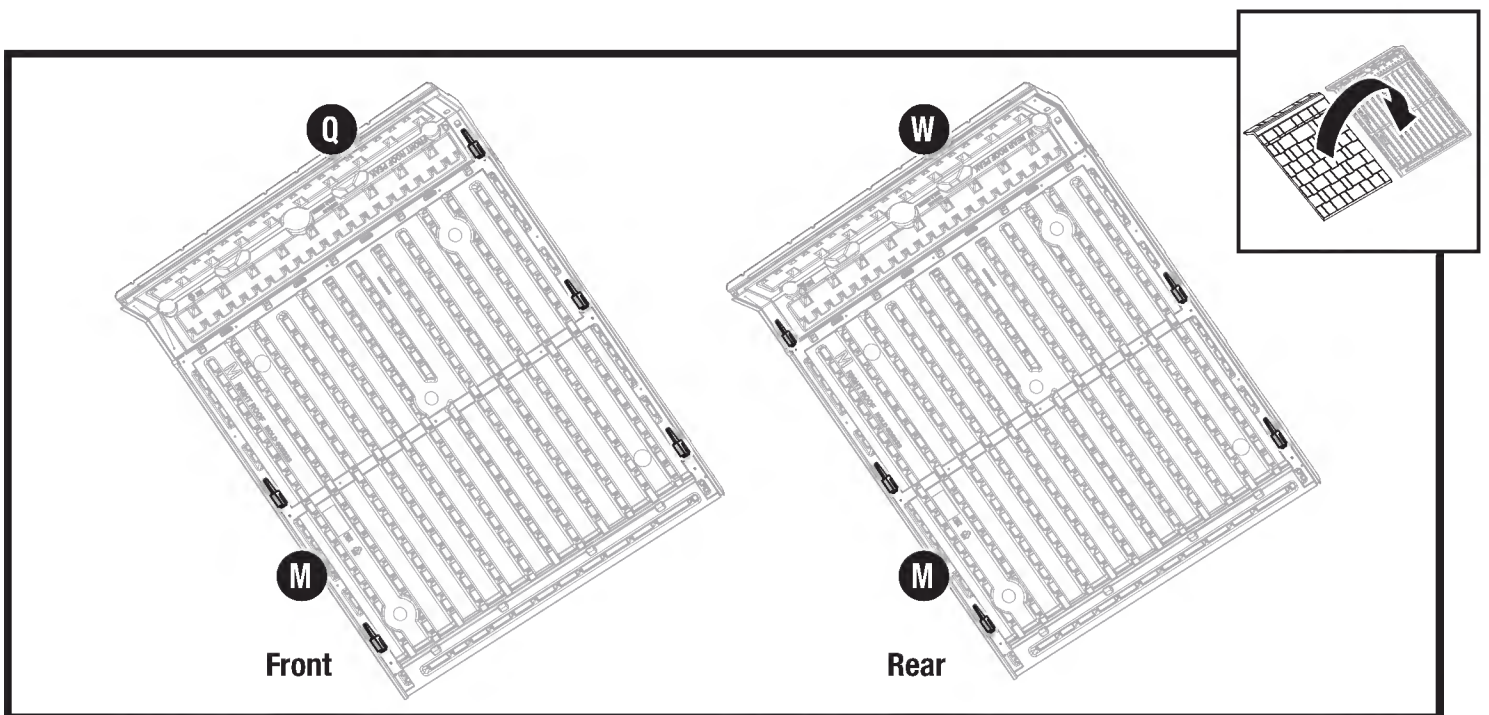


Place the front roof peak (Q) onto a right roof panel (M). Secure with five rubber washers (UU) and five sealing screws (TT). Repeat for rear roof peak (W) and remaining right roof panel (M).

Note: Rubber side of washer should be against plastic panel.

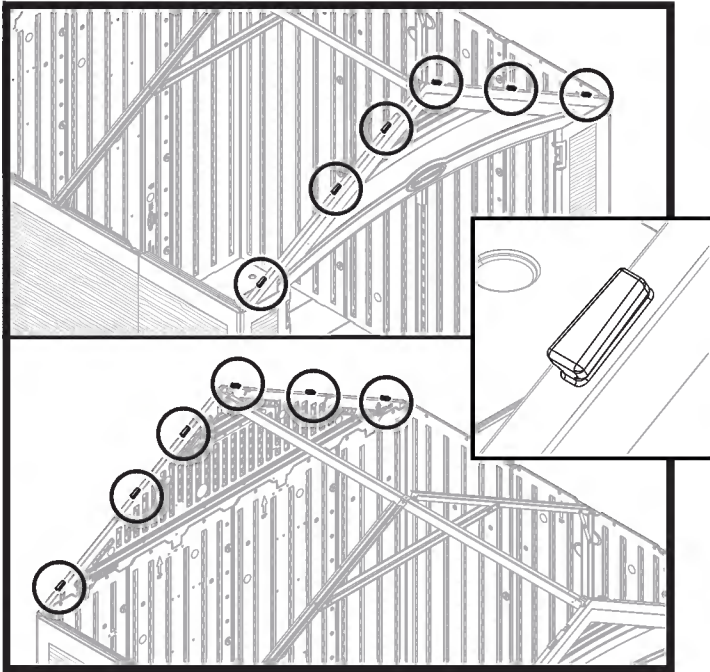


Before proceeding, locate and identify the six slots on interior side of left roof panels (L).

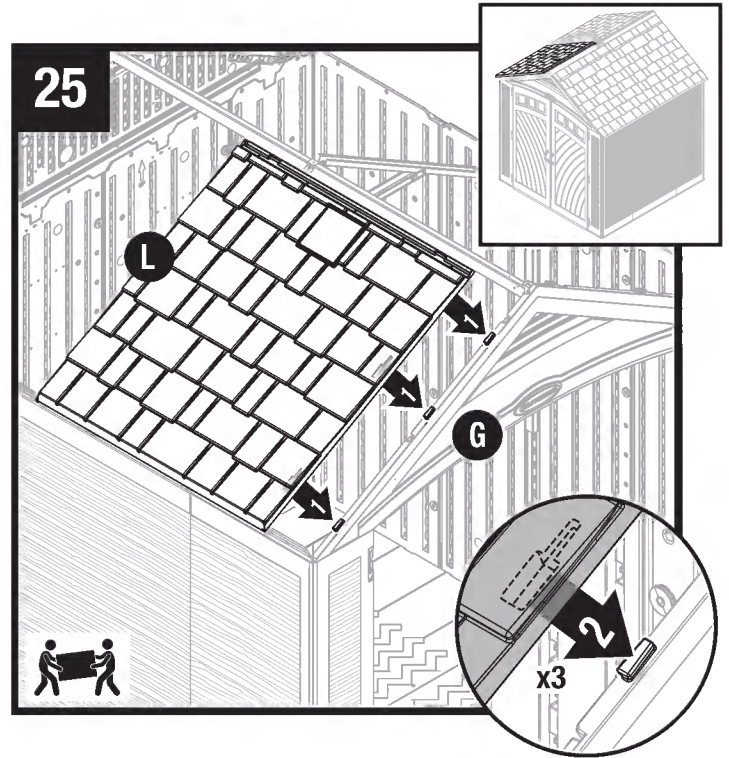


Before proceeding, locate and identify the five slots on interior side of right front (M,Q) and right rear (M,W) roof panel assemblies.

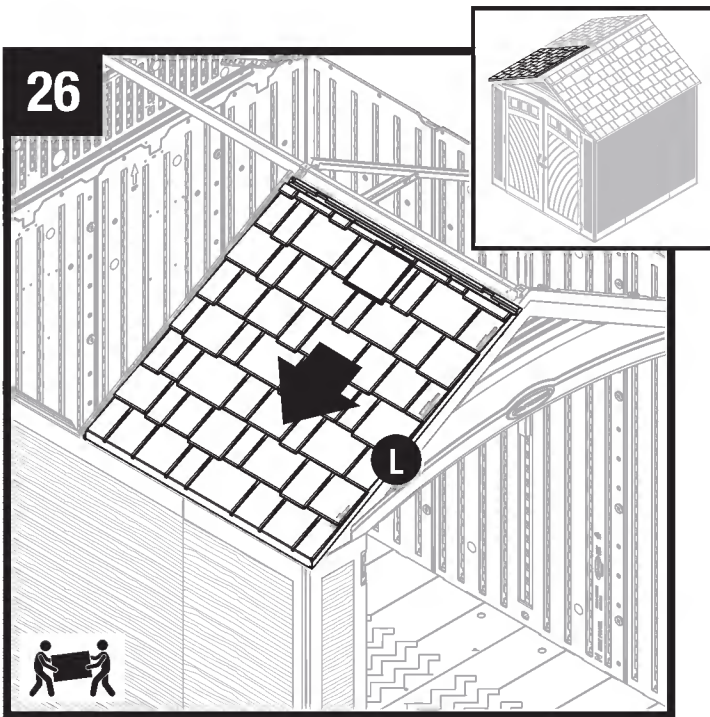
Assembly - Roof (continued)



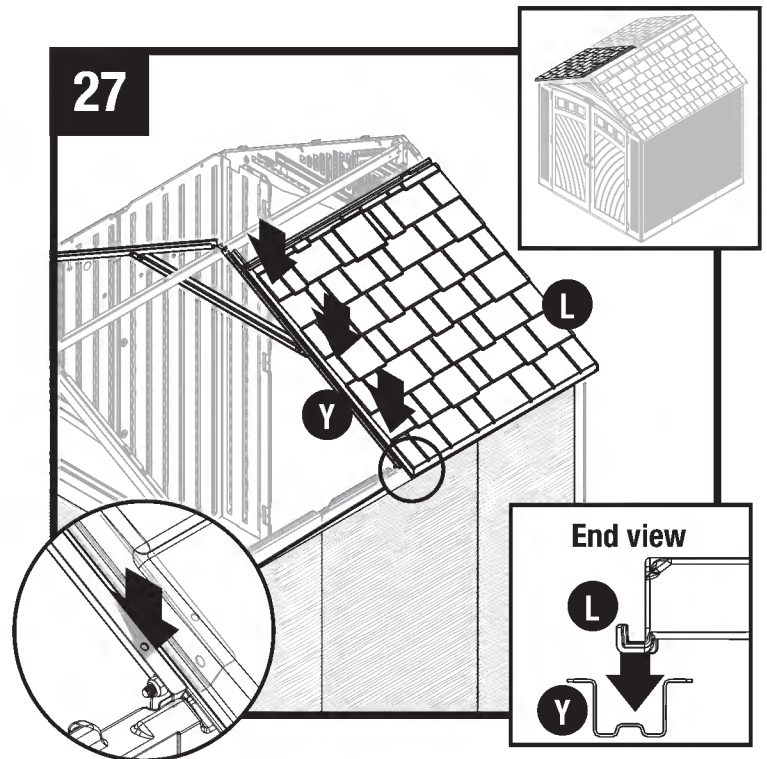
Before proceeding, locate and identify six front header tabs and six rear header tabs.



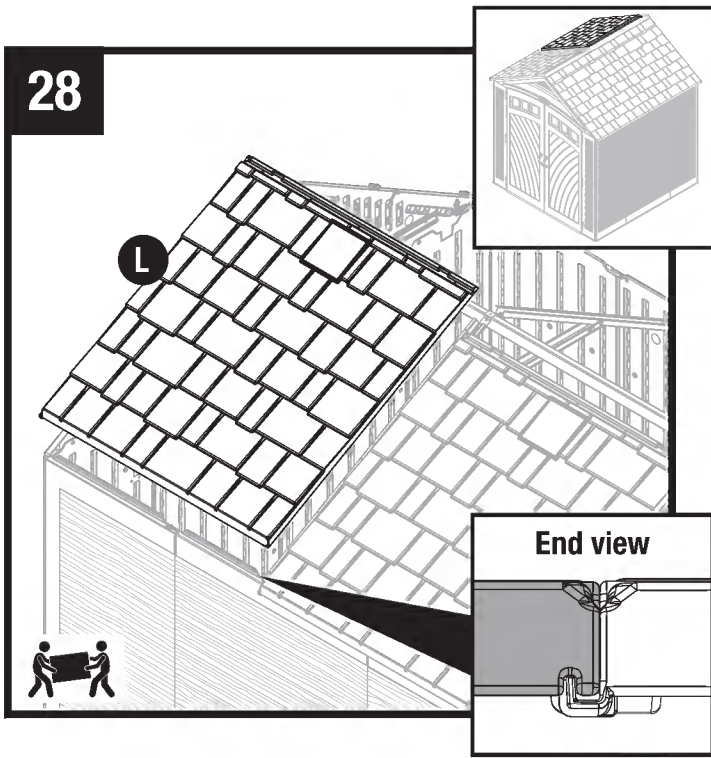
Lay left roof (L) directly over three tabs on left side of front header (G). With left roof slots seated over/on header tabs, check alignment in all three spots.



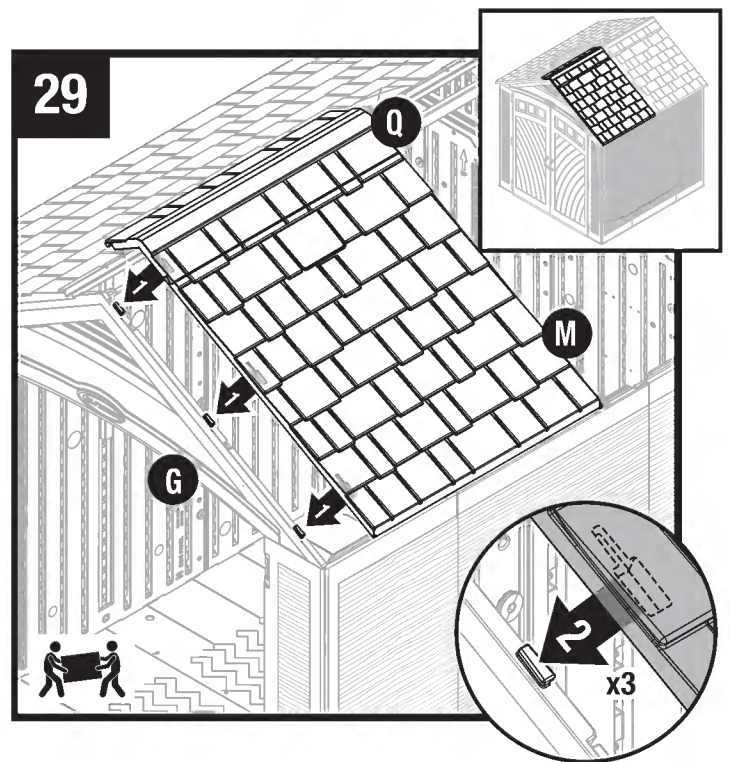
 Slide left roof (L) down towards the outside of shed.



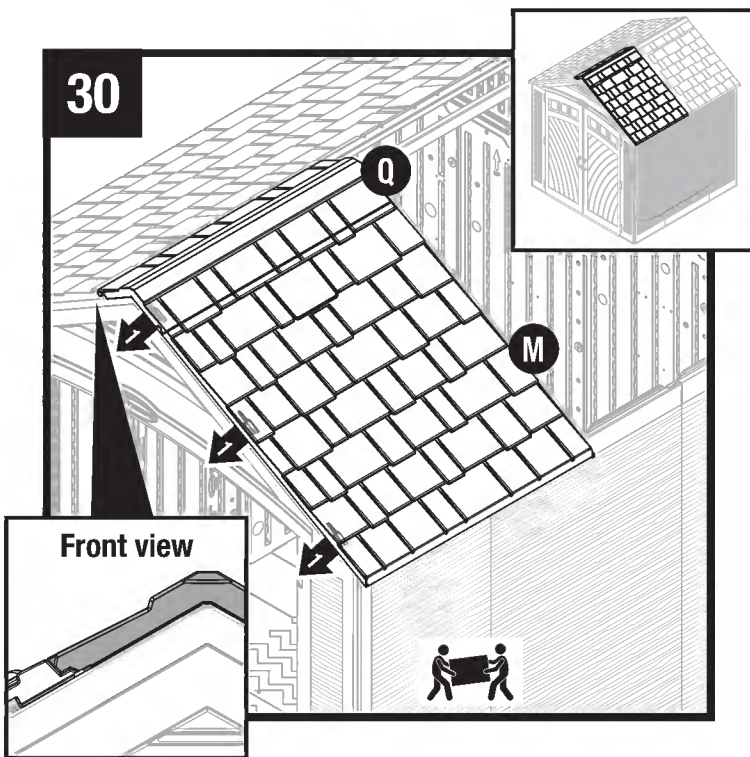
Press edge of left roof (L) into channel on truss leg (Y).



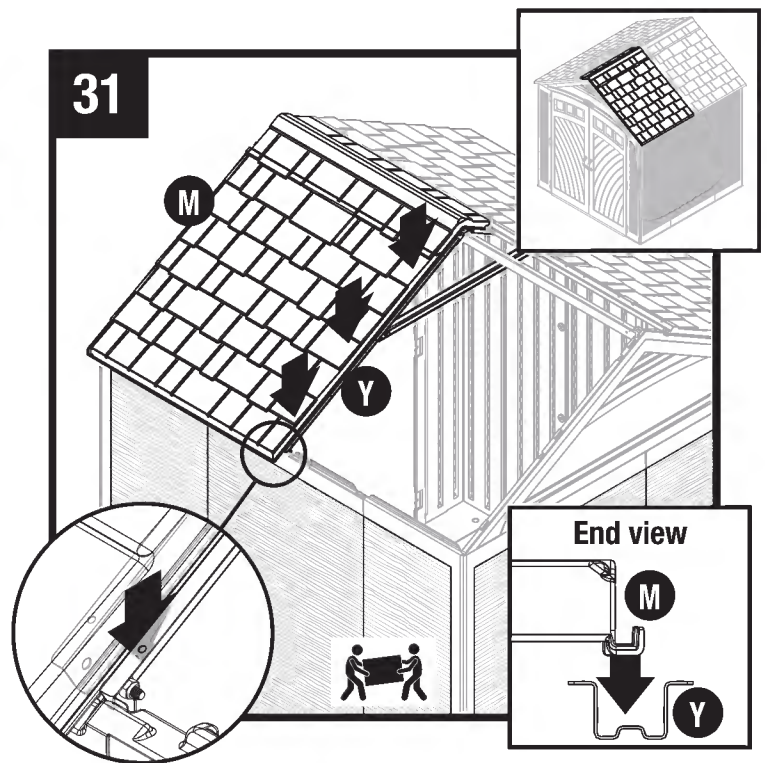
Repeat steps 26-28 for remaining left roof panel (L).



Lay right roof (M) with front roof peak (Q) directly over three tabs on right side of front header (G). With right roof slots seated over/on header tabs, check alignment in all three spots.

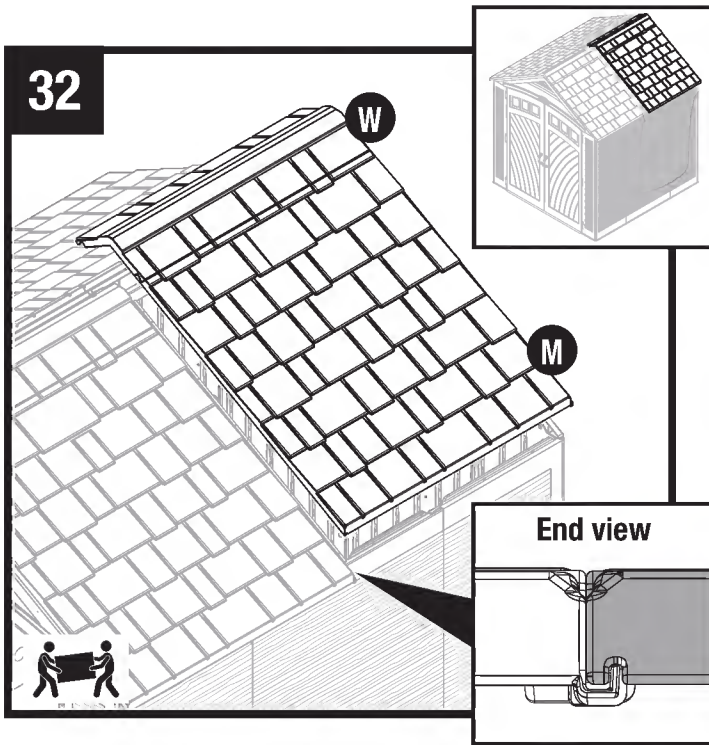


Slide right roof (M) with front roof peak (Q) down towards the outside of shed.

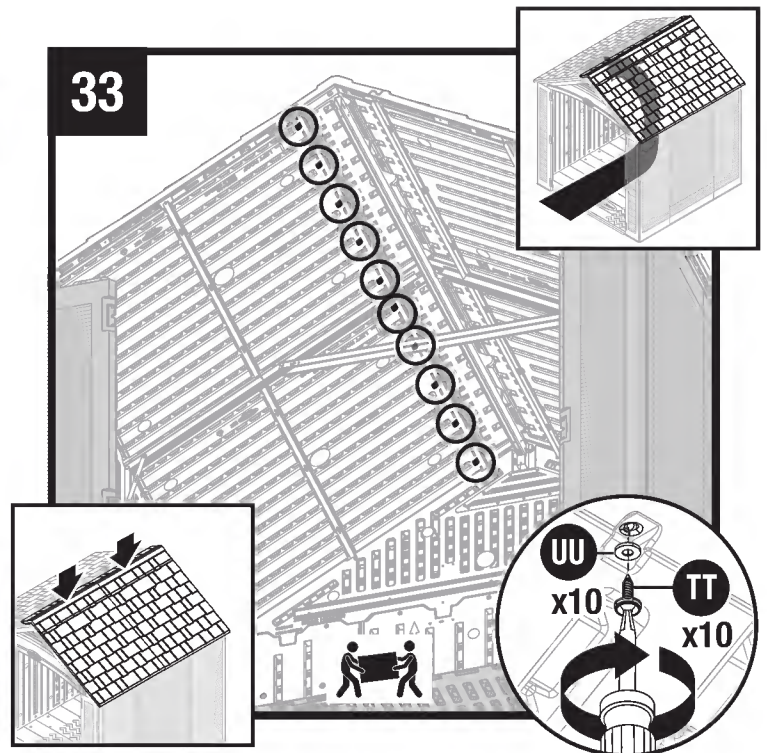


Press edge of right roof (M) into channel on truss leg (Y).

Assembly - Roof (continued)

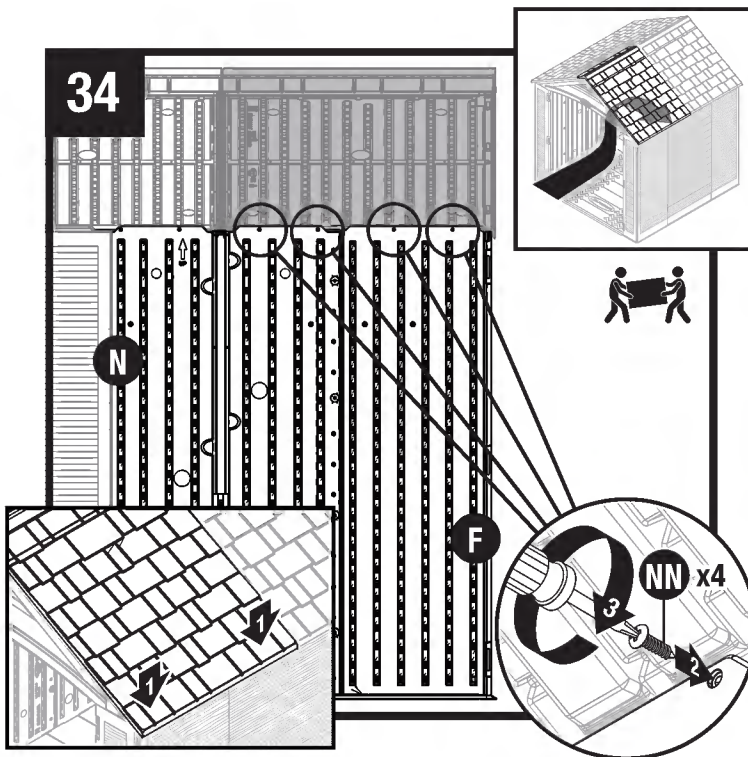


Repeat steps 30-32 for remaining right roof panel (M) and rear roof peak (W).

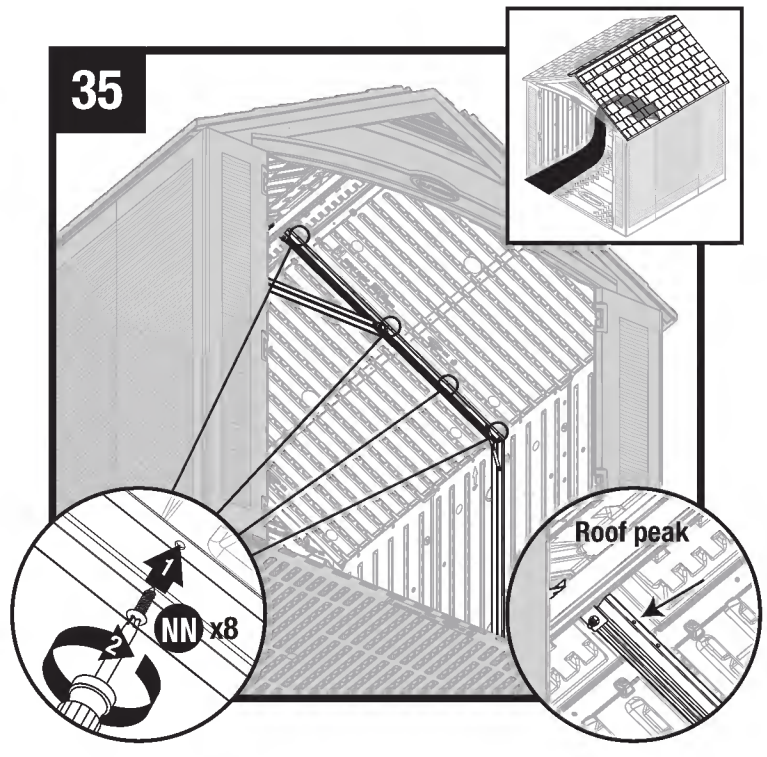


Push down the right roof panels with roof peaks from outside. From inside shed, secure roof peaks to left roof panels together using 10 rubber sealing washers (UU) and 10 sealing screws (TT).

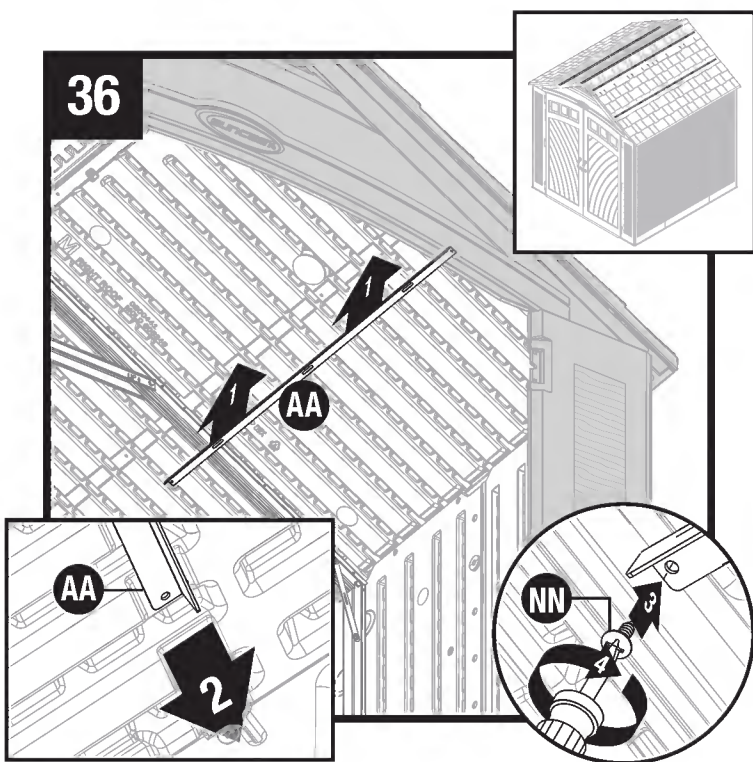
Note: For clarity, illustration is shown with front header removed.



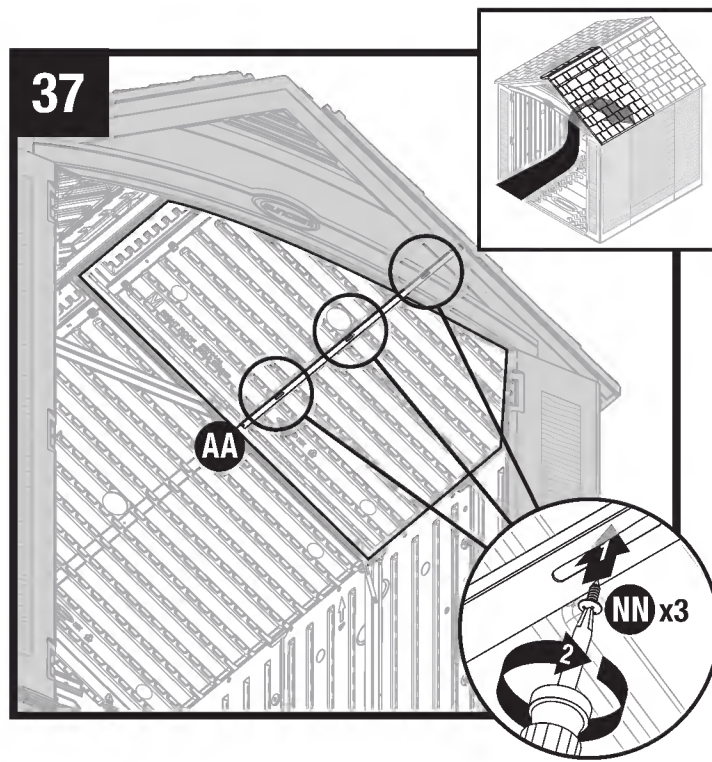
Pull down each lower corner of roof from outside. From inside shed, attach tabs on right front corner (F) and side panel (N) to roof panel with four screws (NN).



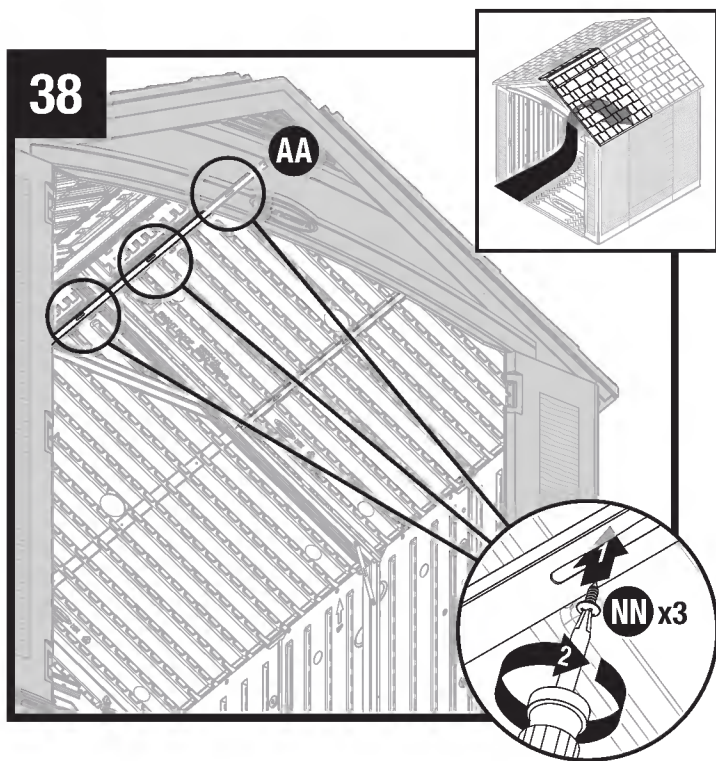
Secure roof to both sides of roof truss using eight screws (NN). Each screw will attach at a corresponding screw boss on the roof. Make sure roof peak is secured (highest screw holes on roof truss).



Raise roof support (AA) into position against roof. Slide roof support (AA) into front header. Secure roof support to underside of truss leg with one screw (NN).



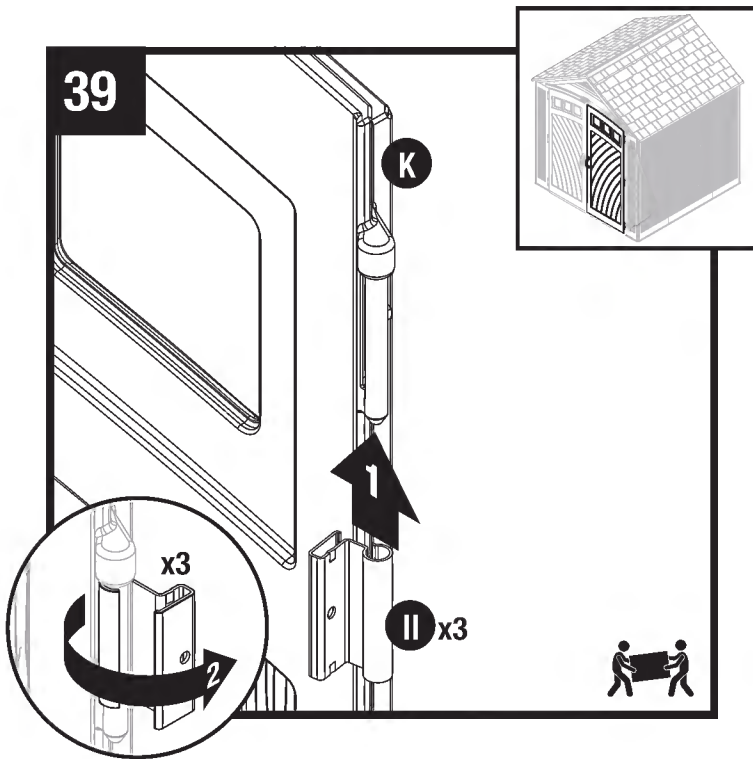
Secure roof support (AA) to roof using three screws (NN). Raise second roof support (AA) to top of roof panel. (Shown in next step)



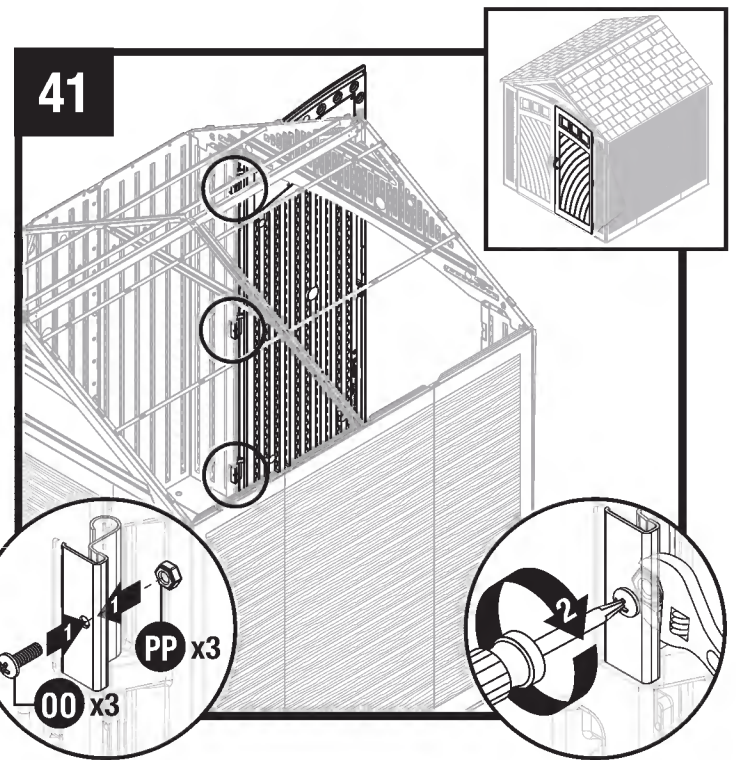
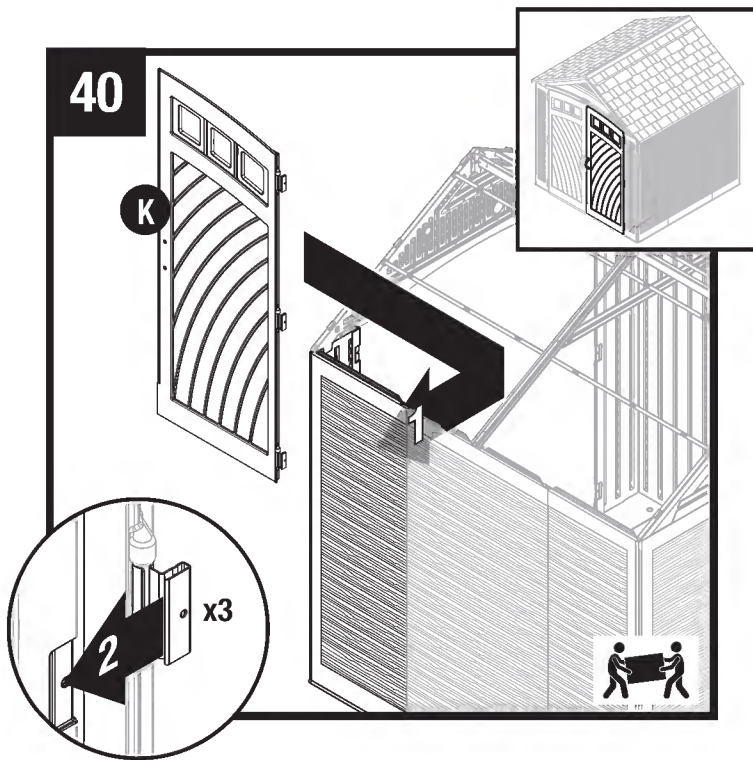
Repeat step 37 and 38 for top support bracket.

Repeat Steps 33 - 38 to secure remaining roof panels.

Assembly - Doors



Stand right door (K) upright with three hinge mounts facing right. Slide one metal hinge plate (II) up onto each hinge mount. Rotate hinges to outside of door.



With metal hinge plates in open position, slide one hinge over each hinge receptacle on inside of right front panel.

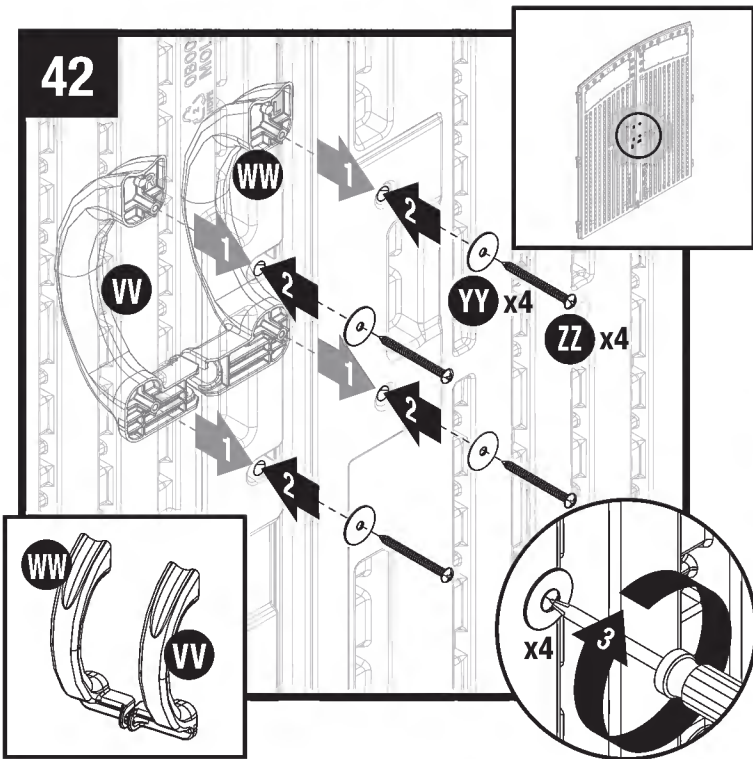
Note: For clarity, illustration is shown with roof removed.

 **Note:** Use a rubber mallet if necessary.

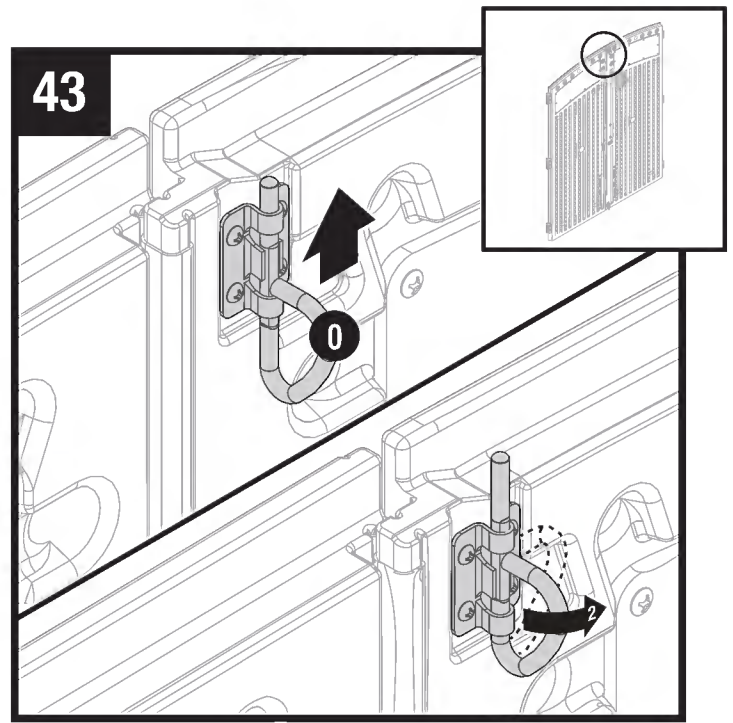
Secure each metal hinge plate with one screw (OO) and one locking nut (PP).

Repeat Steps 39-41 for left door (J).

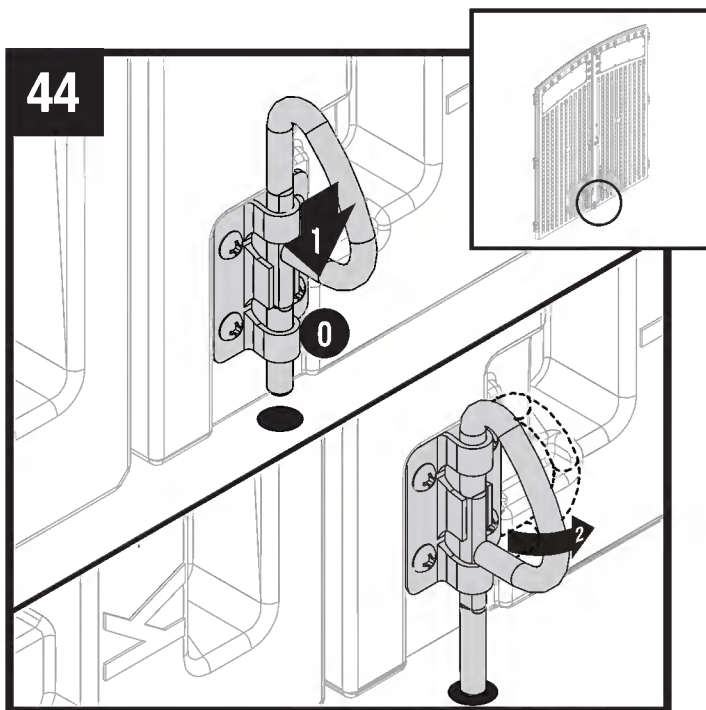
Note: For clarity, illustration is shown with roof removed.



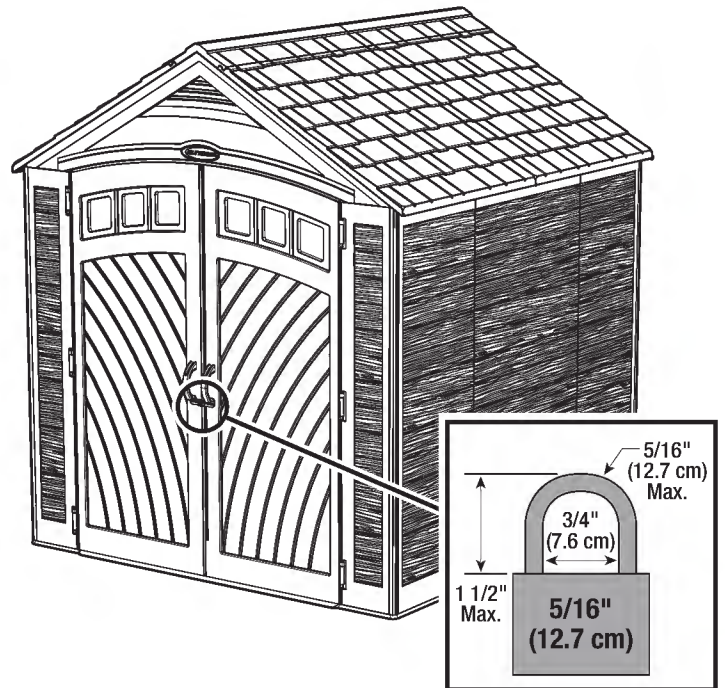
From the outside of doors, insert door handle (VV, WW) stems into holes of left and right doors. On inside of doors, place washers (YY) on each door handle stem, and secure each with one screw (ZZ).



Lift upper D-ring (O) up to engage in front of header. Turn D-ring to right for locked position.

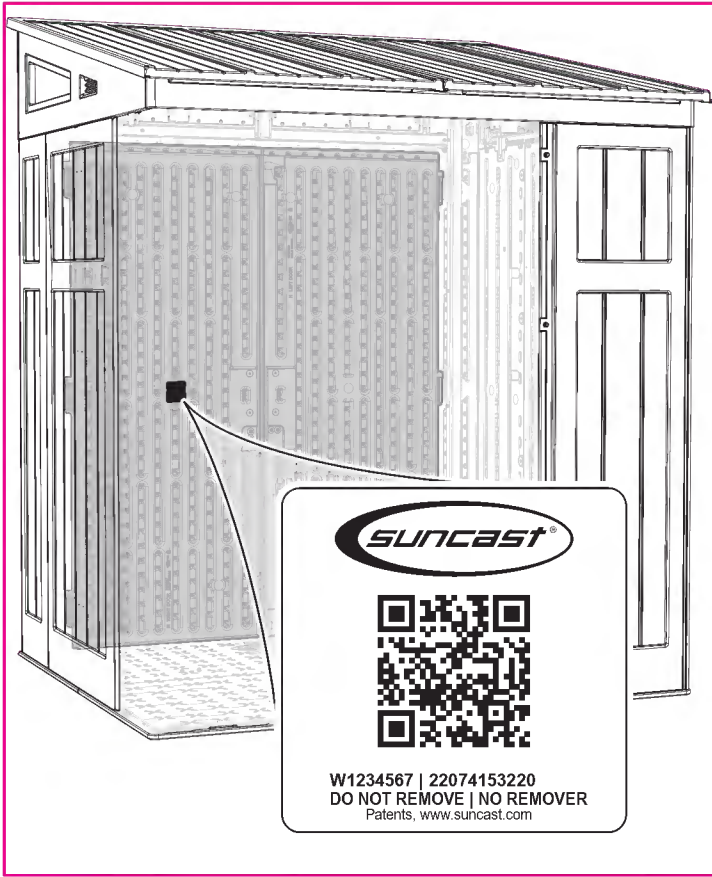


Push lower D-ring (O) down to engage with hole in floor. Turn D-ring to right for locked position.



To properly lock the unit, a 5/16" padlock is recommended.

Note: Lock not included. To maintain warranty coverage, the product should be padlocked at all times when not in use.



The label located on the inside of the door contains information regarding your product. The QR code is a direct link to the product registration page on the Suncast website. The codes at the bottom of the label are specifically related to your product. Please have these numbers available should you need to contact Suncast.

