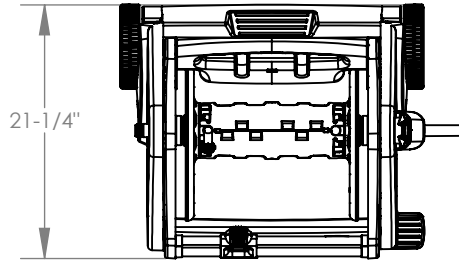




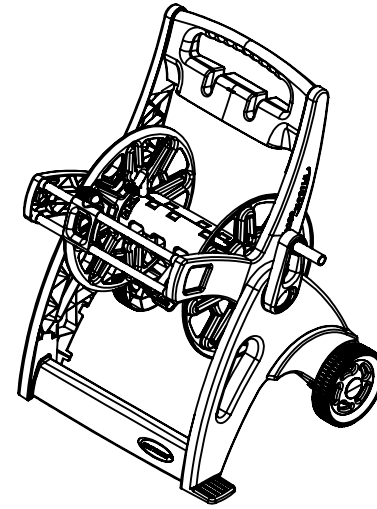
Suncast Corporation  
701 North Kirk Road  
Batavia, IL 60510 USA

## CPLLGN200

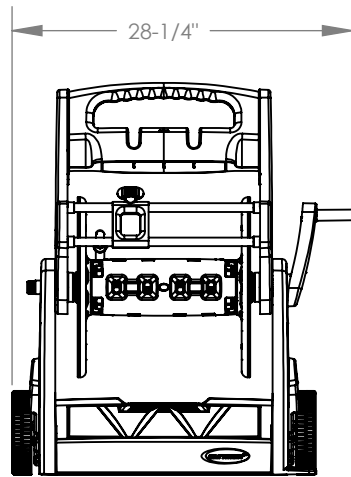
**HOSE CAPACITY:**  
(5/8" STD. VINYL HOSE) **225 FT**



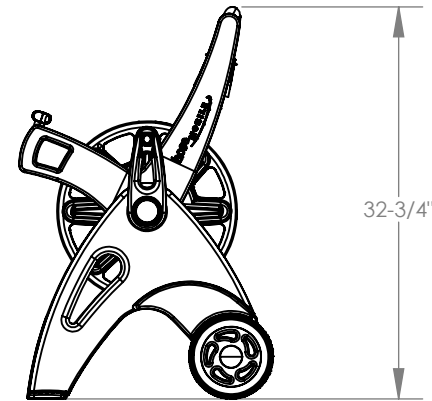
**TOP VIEW**



**ISO VIEW**



**FRONT VIEW**



**SIDE VIEW**