

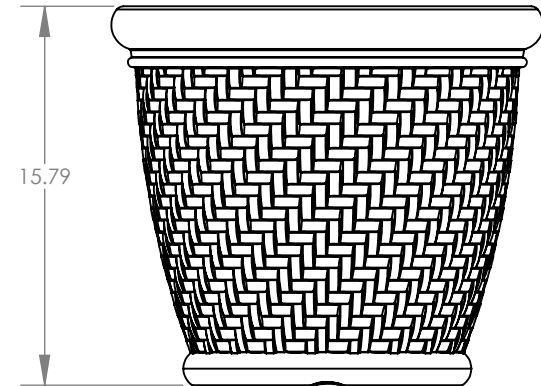
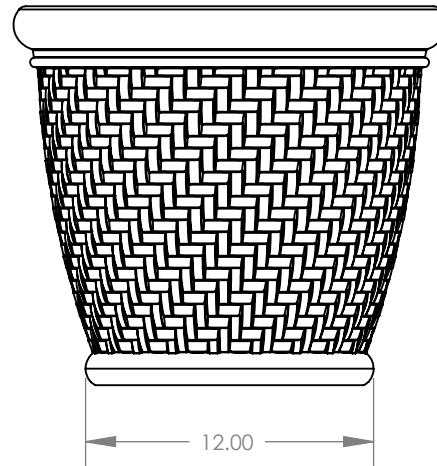
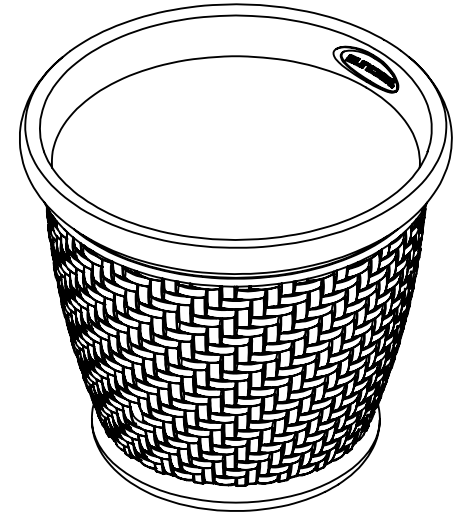
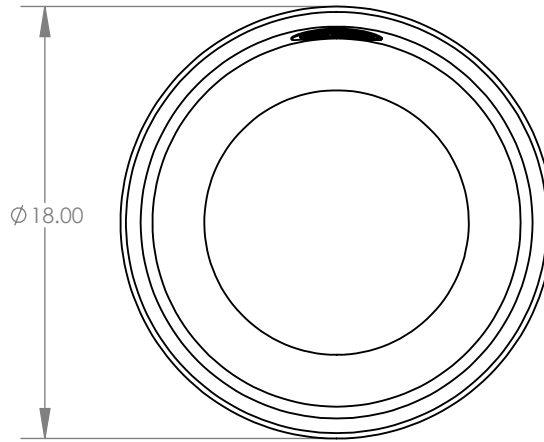
P181608B92

TOTAL SOIL VOLUME:

Interior: 10.78 gal

Interior: 1379.62 fl oz

Interior: 1.44 cu. ft.



**ALL DIMENSIONS ARE IN INCHES
UNLESS OTHERWISE SPECIFIED**