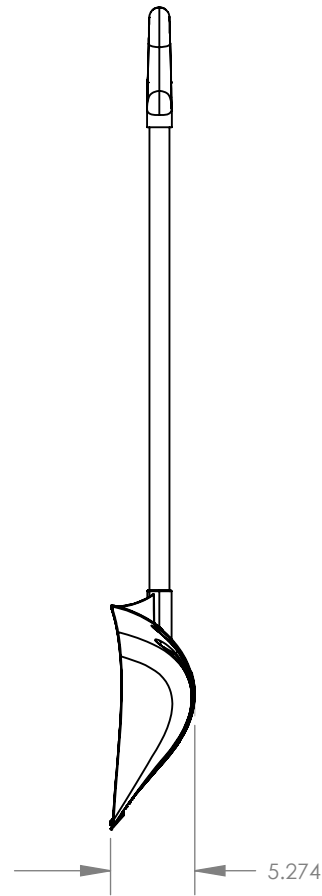
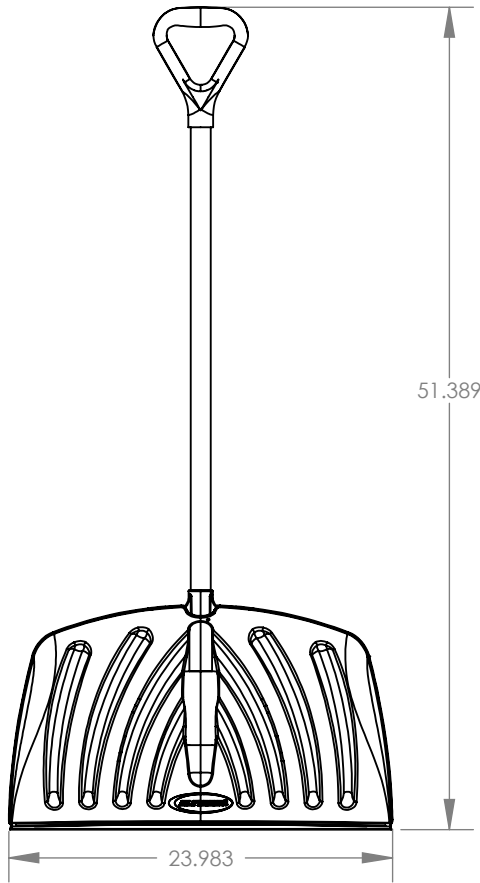


THE INFORMATION CONTAINED IN THIS DRAWING IS THE SOLE PROPERTY OF SUNCAST CORPORATION. ANY REPRODUCTION IN PART OR WHOLE WITHOUT THE WRITTEN PERMISSION OF SUNCAST CORPORATION IS PROHIBITED.



**X** CRITICAL DIMENSION  
QC INSPECTION REQUIRED

REVISIONS			
REV.	BY	DATE	DESCRIPTION
A	GF	1/28/2016	INITIAL SIZING

PART #	SC2450	DATE	1/28/16	Suncast Corporation 701 North Kirk Road Batavia, IL 60510 USA
MOLD #	N/A	DATE	1/28/16	
MATERIAL	HDPE	UNLESS OTHERWISE SPECIFIED DIMENSIONS ARE IN INCHES		<b>SC2450</b> <b>24" COMBO SHOVEL</b>
WEIGHT	4.06 4.00 Lbs.	TOLERANCES ARE:	FRACTIONS DECIMALS ANGLES	<b>PD - 1916 4</b> <small>SCALE: 1:1 DO NOT SCALE DRAWING SHEET 1 OF 1</small>